



US00D367102S

United States Patent [19]
McLeaf

[11] **Patent Number: Des. 367,102**

[45] **Date of Patent: **Feb. 13, 1996**

[54] **UPSIDE DOWN FISHING NET**

FOREIGN PATENT DOCUMENTS

[76] Inventor: **Jacob D. McLeaf**, Box 98,
McKnightstown, Pa. 17343

688046 6/1964 Canada 43/11

[**] Term: **14 Years**

Primary Examiner—Doris V. Coles
Attorney, Agent, or Firm—Richard C. Litman

[21] Appl. No.: **35,992**

[57] **CLAIM**

[22] Filed: **Mar. 10, 1995**

The ornamental design for an upside down fishing net, as shown and described.

[52] U.S. Cl. **D22/135**

DESCRIPTION

[58] Field of Search D22/135; 43/7,
43/5, 11

FIG. 1 is an environmental perspective view of a upside down fishing net showing my new design;
FIG. 2 is a front elevational view thereof;
FIG. 3 is a rear elevational view thereof;
FIG. 4 is a right side elevational view, the left side being a mirror image thereof;
FIG. 5 is a top view thereof;
FIG. 6 is a bottom view thereof; and,
FIG. 7 is a front elevational view with the device in the open position.

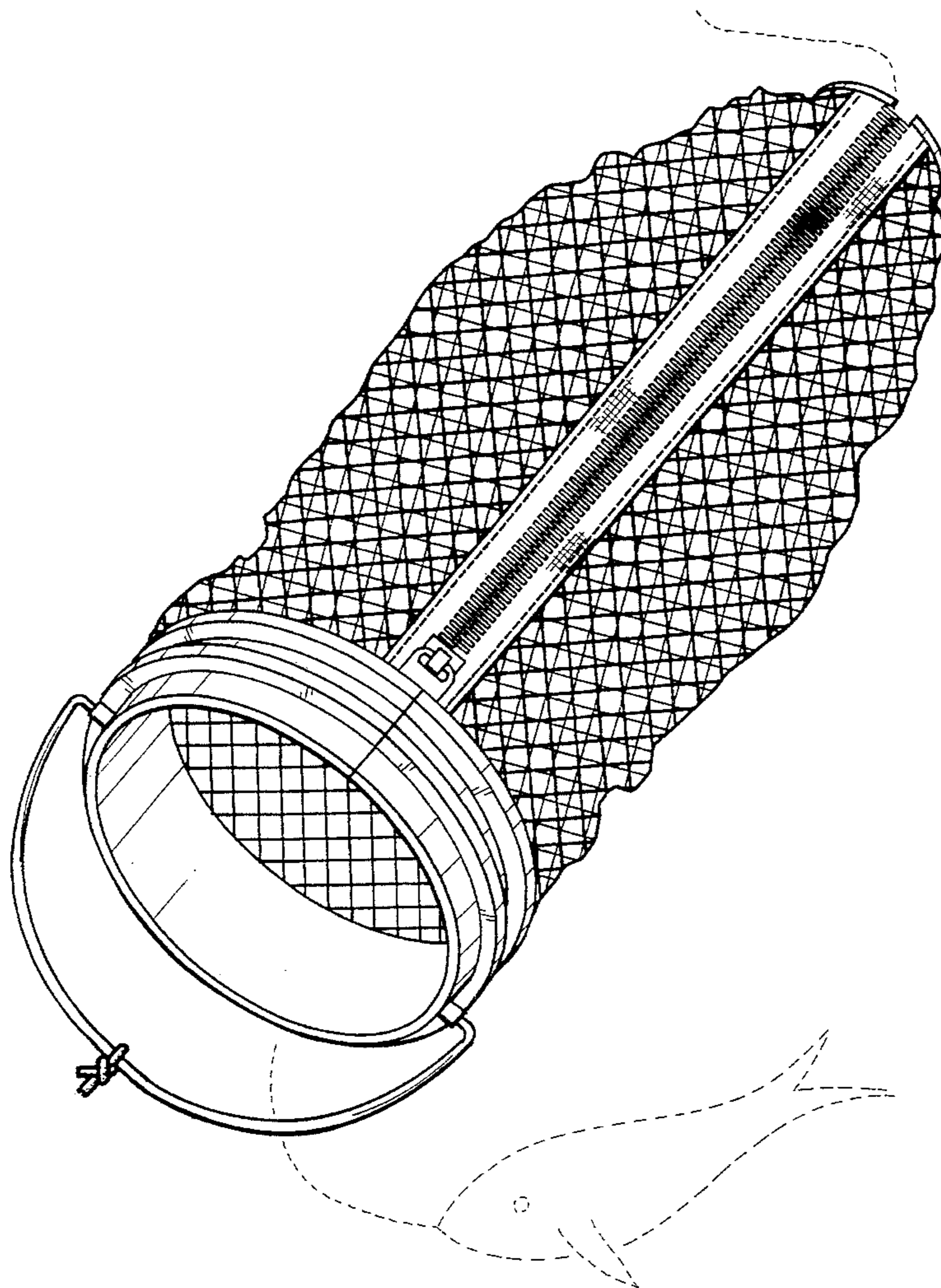
[56] **References Cited**

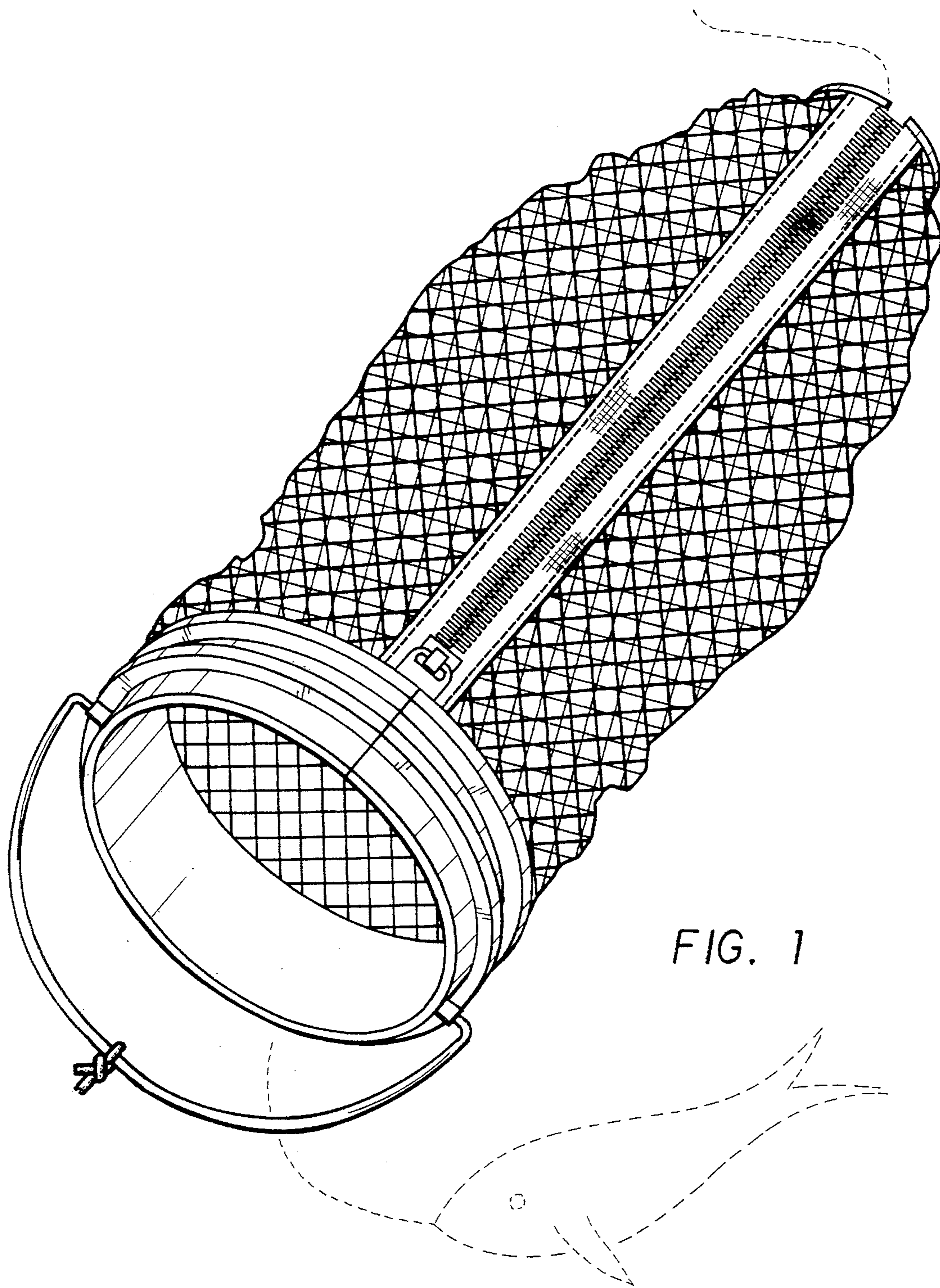
U.S. PATENT DOCUMENTS

D. 256,490	8/1980	Schlichting, Jr.	D22/135
2,597,447	5/1952	Bruns	43/11
2,782,546	2/1957	Edworthy	43/11
2,921,397	1/1960	Luthi	43/11
3,099,888	8/1963	Jaster	43/11
3,766,880	10/1973	Ramsey et al.	43/7
4,065,835	1/1978	Yoneya	43/7
4,292,753	10/1981	Yesuratnam	43/5
4,674,221	6/1987	Weber	43/11
4,815,227	3/1989	Flanders, Sr.	43/11

The broken line showing of the fish and fishing line in FIG. 1 is for illustrative purposes only and forms no part of the claimed design.

1 Claim, 6 Drawing Sheets





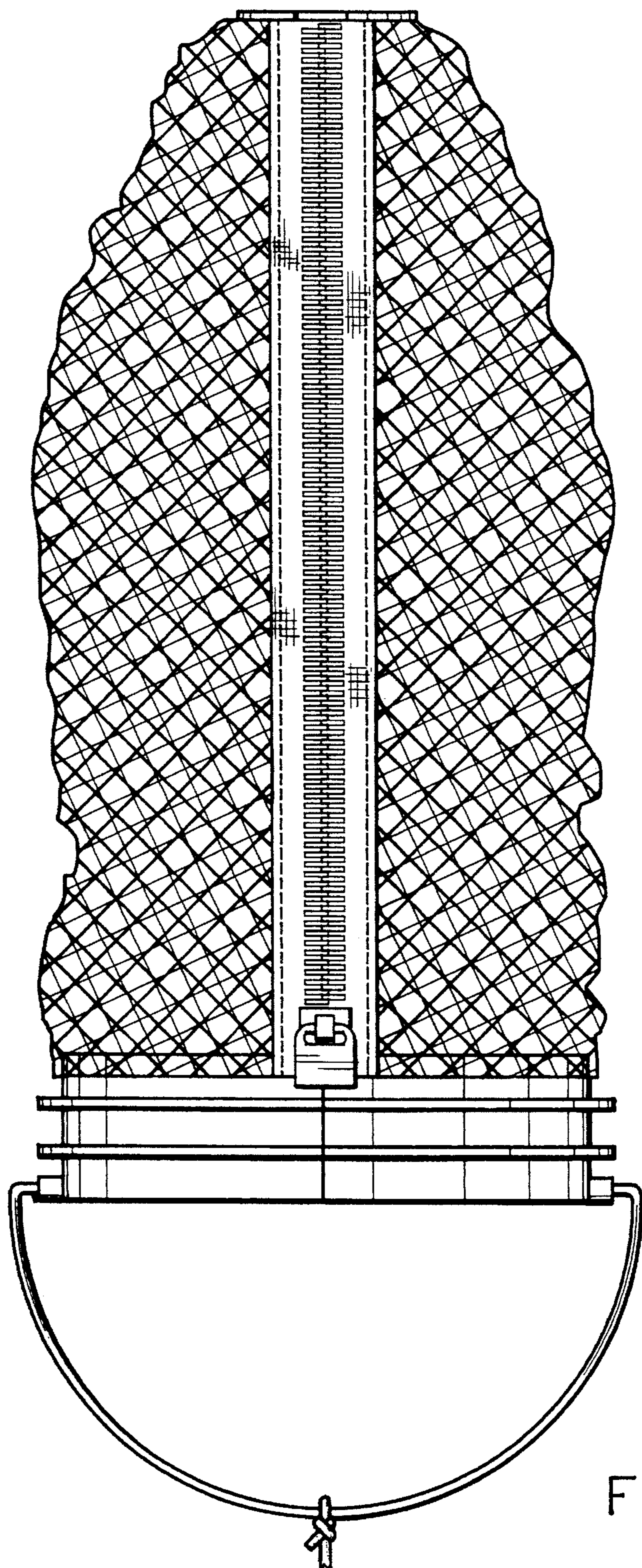


FIG. 2

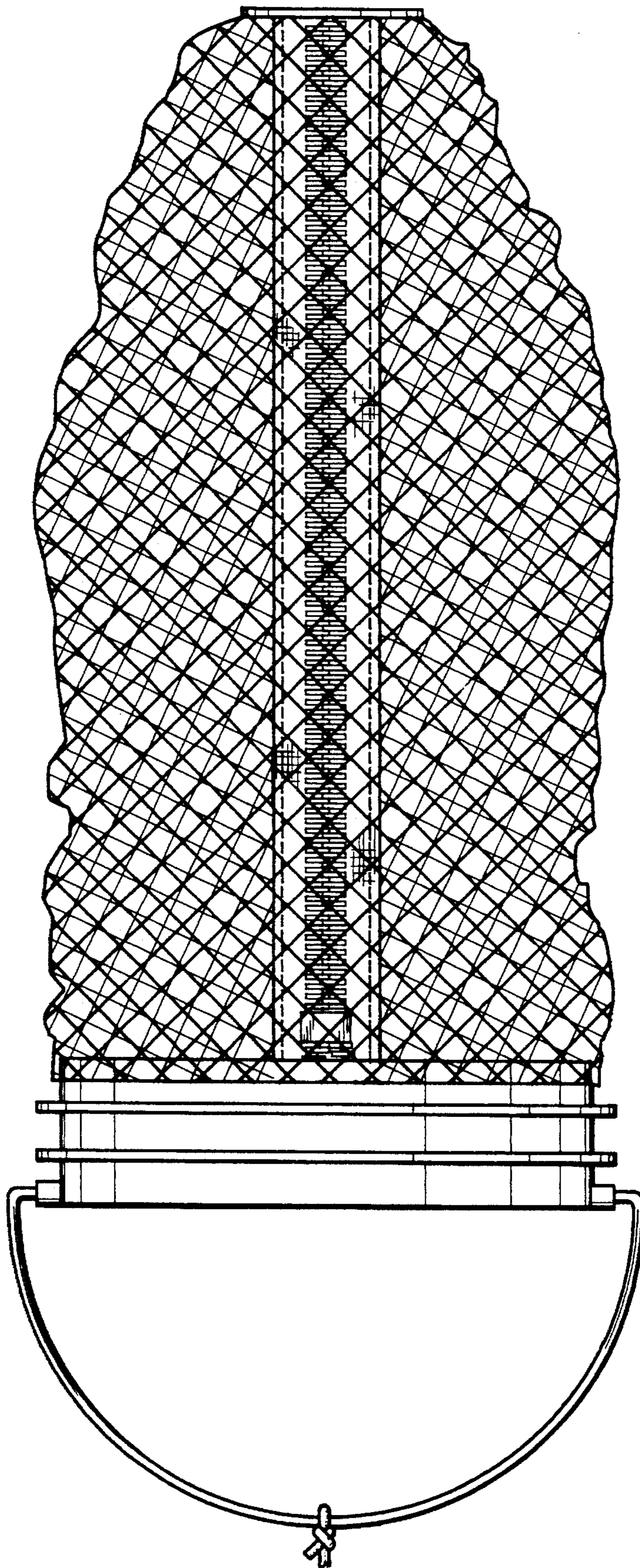


FIG. 3

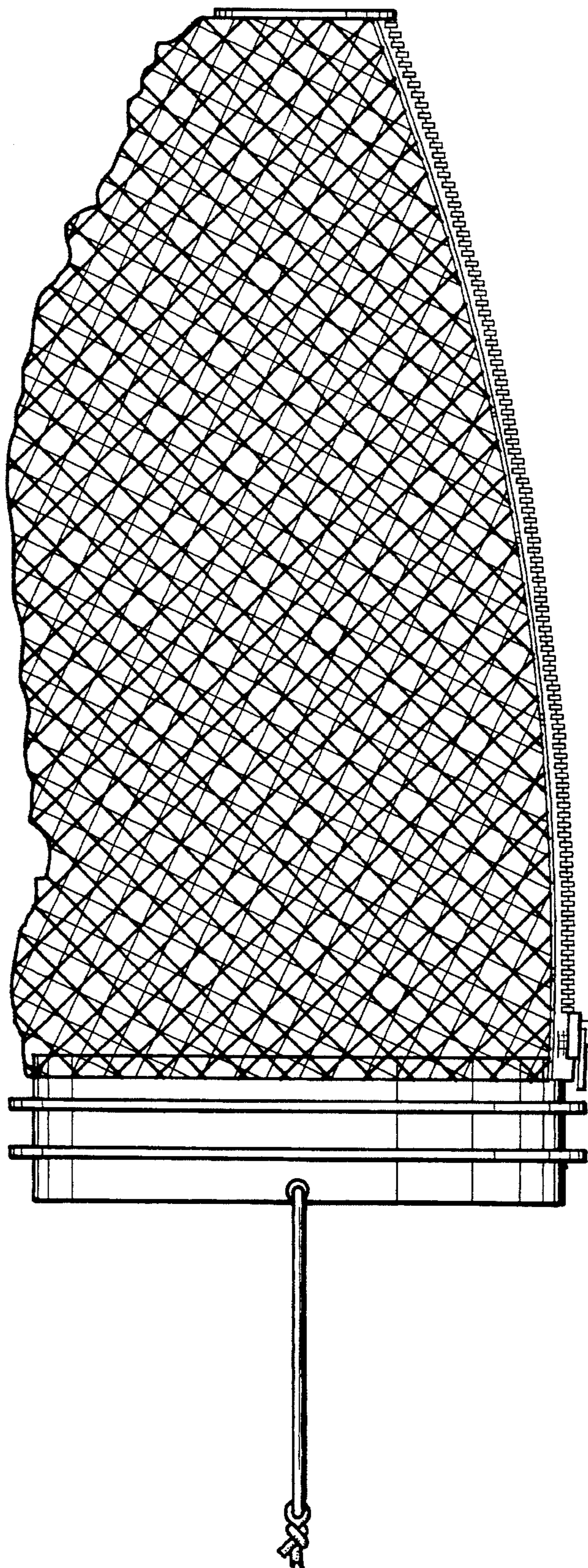


FIG. 4

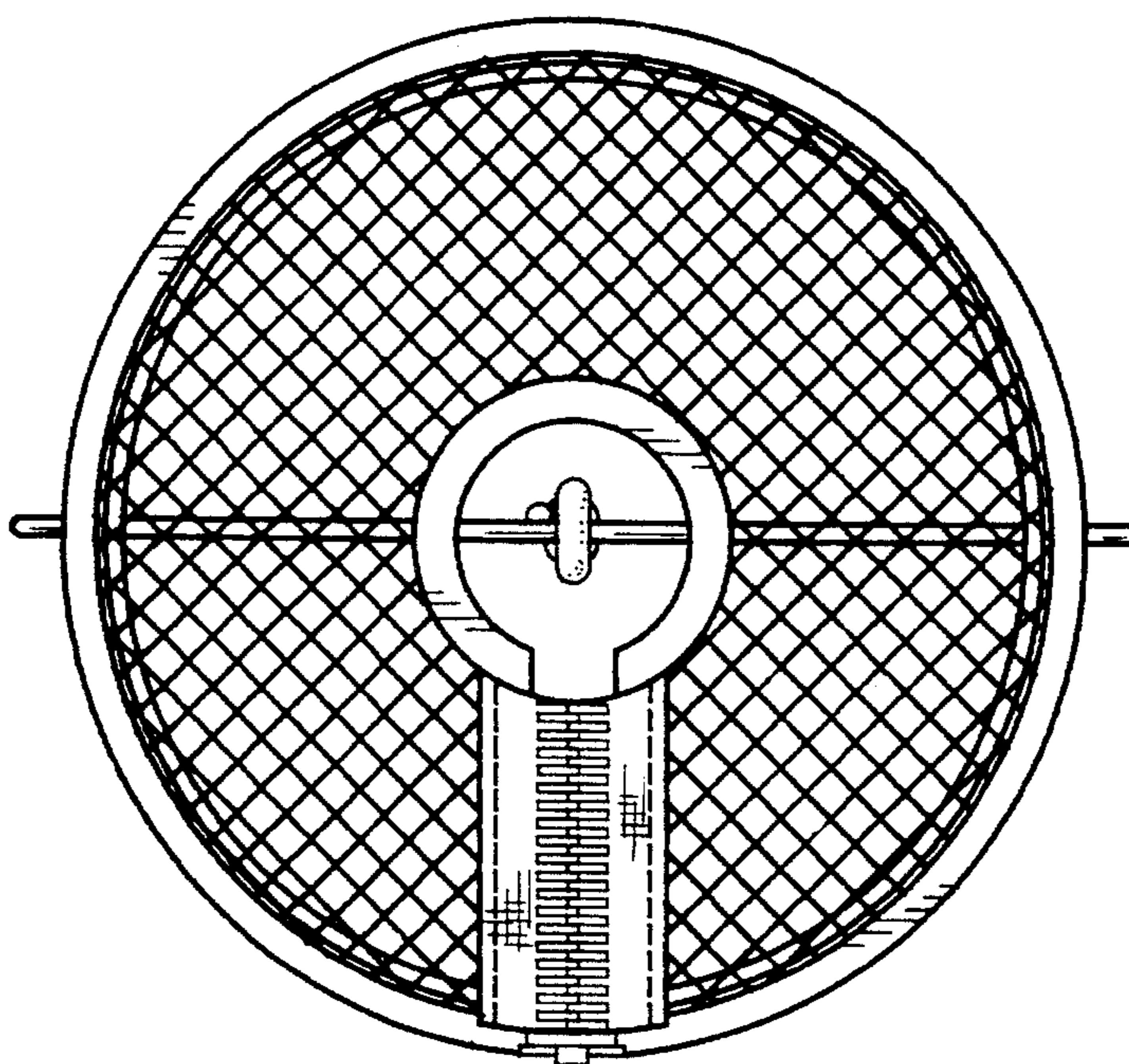


FIG. 5

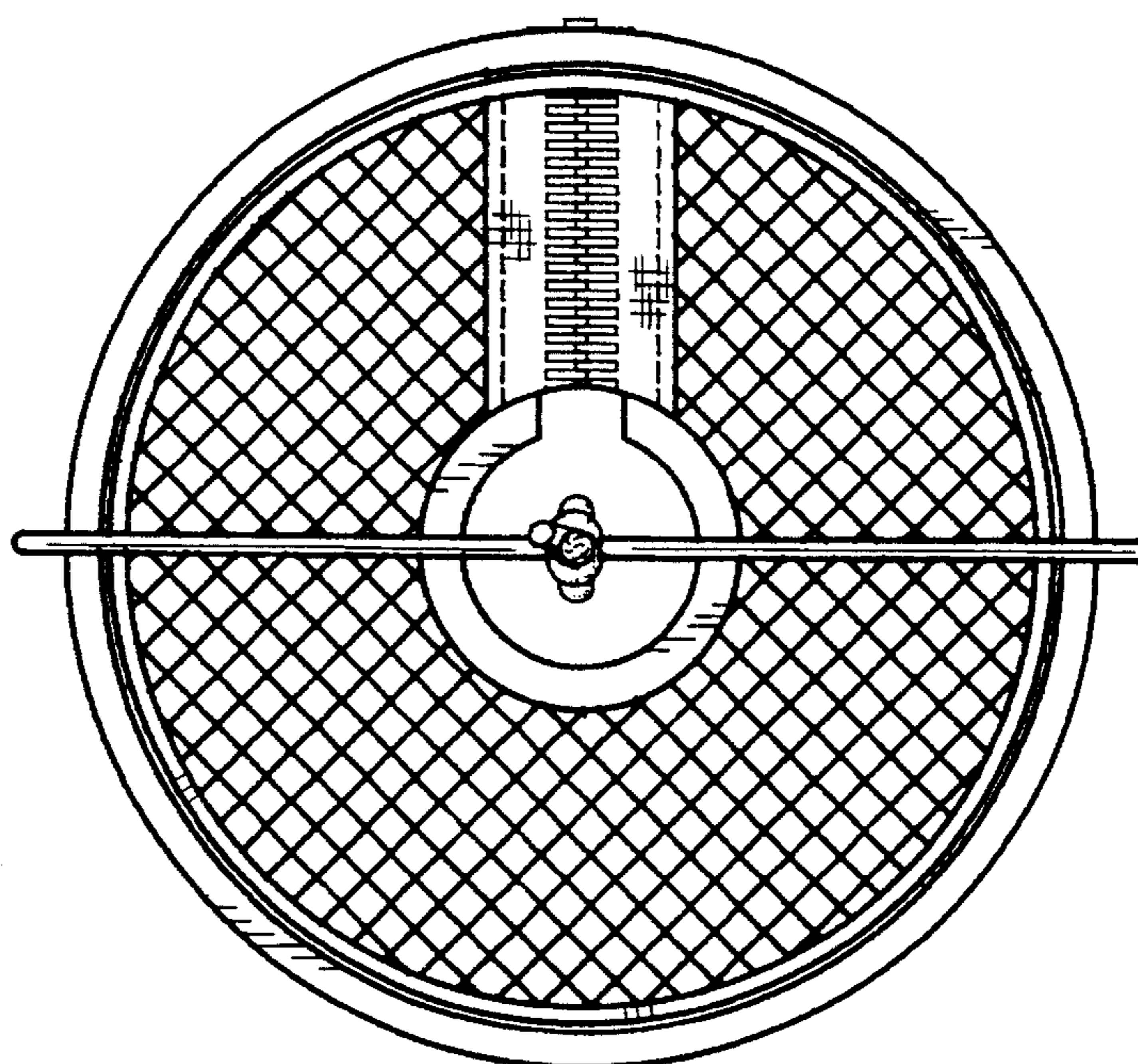


FIG. 6

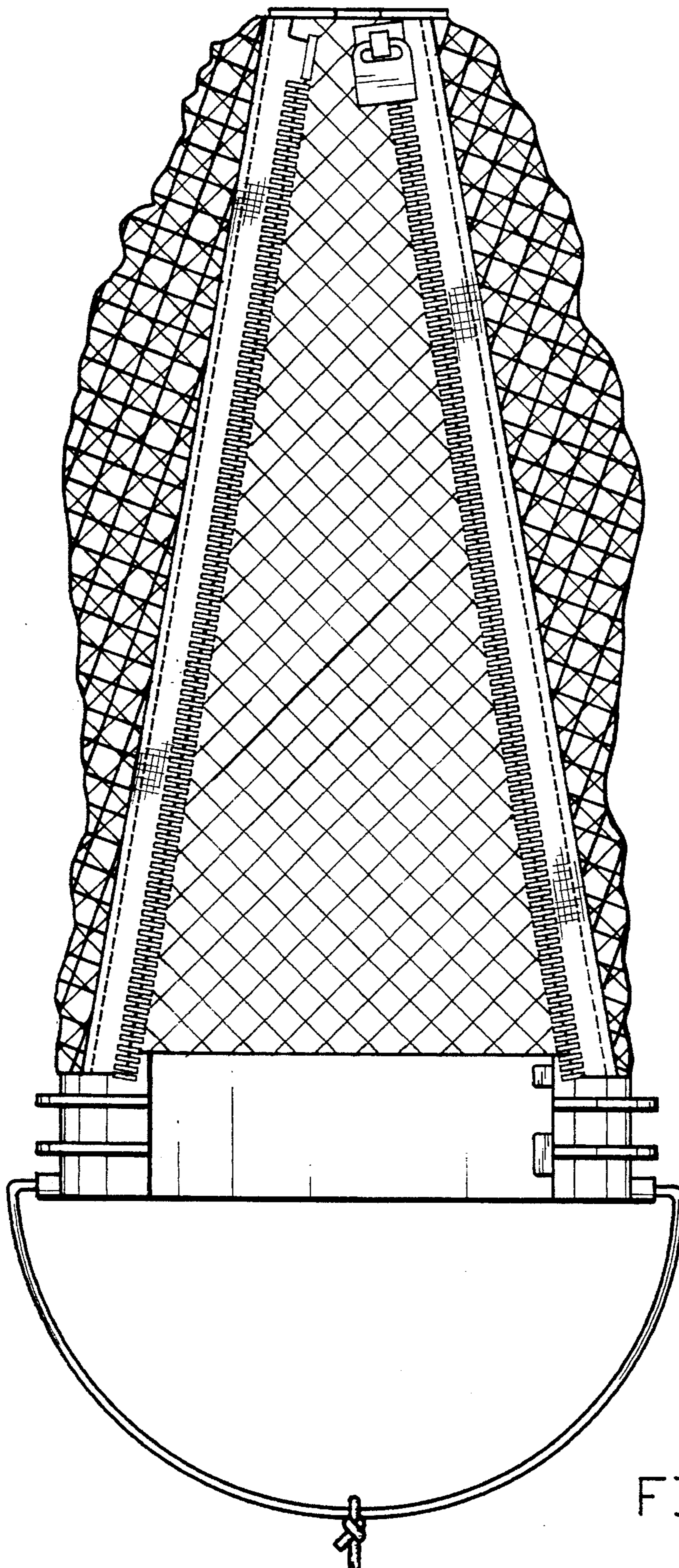


FIG. 7

UNITED STATES PATENT AND TRADEMARK OFFICE
CERTIFICATE OF CORRECTION

PATENT NO. : Des. 367, 102
DATED : February 13, 1996
INVENTOR(S) : Jacob D. McLeaf

It is certified that error appears in the above-identified patent and that said Letters Patent is hereby corrected as shown below:

On the title page: Item [75] Inventors: last name should read
--Mcleaf --.

Signed and Sealed this
Twenty-eighth Day of May, 1996

Attest:



BRUCE LEHMAN

Attesting Officer

Commissioner of Patents and Trademarks

UNITED STATES PATENT AND TRADEMARK OFFICE
CERTIFICATE OF CORRECTION

PATENT NO. : Des. 367,102
DATED : February 13, 1996
INVENTOR(S) : Jacob D. McCleaf

It is certified that error appears in the above-identified patent and that said Letters Patent is hereby corrected as shown below:

On the title page: Item [19 & 75] Inventor should read --McCleaf--.

This certificate supersedes Certificate of Correction issued
May, Twenty-Eighth, 1996.

Signed and Sealed this
Tenth Day of September, 1996

Attest:



BRUCE LEHMAN

Attesting Officer

Commissioner of Patents and Trademarks