



US00D367099S

United States Patent [19]

Coddington, Jr. et al.

[11] Patent Number: Des. 367,099

[45] Date of Patent: **Feb. 13, 1996

[54] DUAL SWING SEATING PLATFORM

5,393,268 2/1995 Cunard et al. 472/118 X

[75] Inventors: **Russell J. Coddington, Jr.**, Imperial, Pa.; **Robert J. Nolan**, Columbus, Miss.

Primary Examiner—Ted Shooman
Assistant Examiner—Mitchell I. Siegel
Attorney, Agent, or Firm—Cesari and McKenna

[73] Assignee: **Hedstrom Corporation**, Bedford, Pa.

[57] CLAIM

[**] Term: 14 Years

The ornamental design for a dual swing seating platform, as shown and described.

[21] Appl. No.: 29,778

DESCRIPTION

[22] Filed: Oct. 17, 1994

[52] U.S. Cl. D21/246; D21/247

FIG. 1 is a right front perspective view of a dual swing seating platform showing our new design;
FIG. 2 is a front elevational view thereof;
FIG. 3 is a left side elevational view thereof, the right side being a mirror image thereof;
FIG. 4 is a top plan view thereof;
FIG. 5 is a bottom view thereof; and,
FIG. 6 is a rear elevational view thereof.

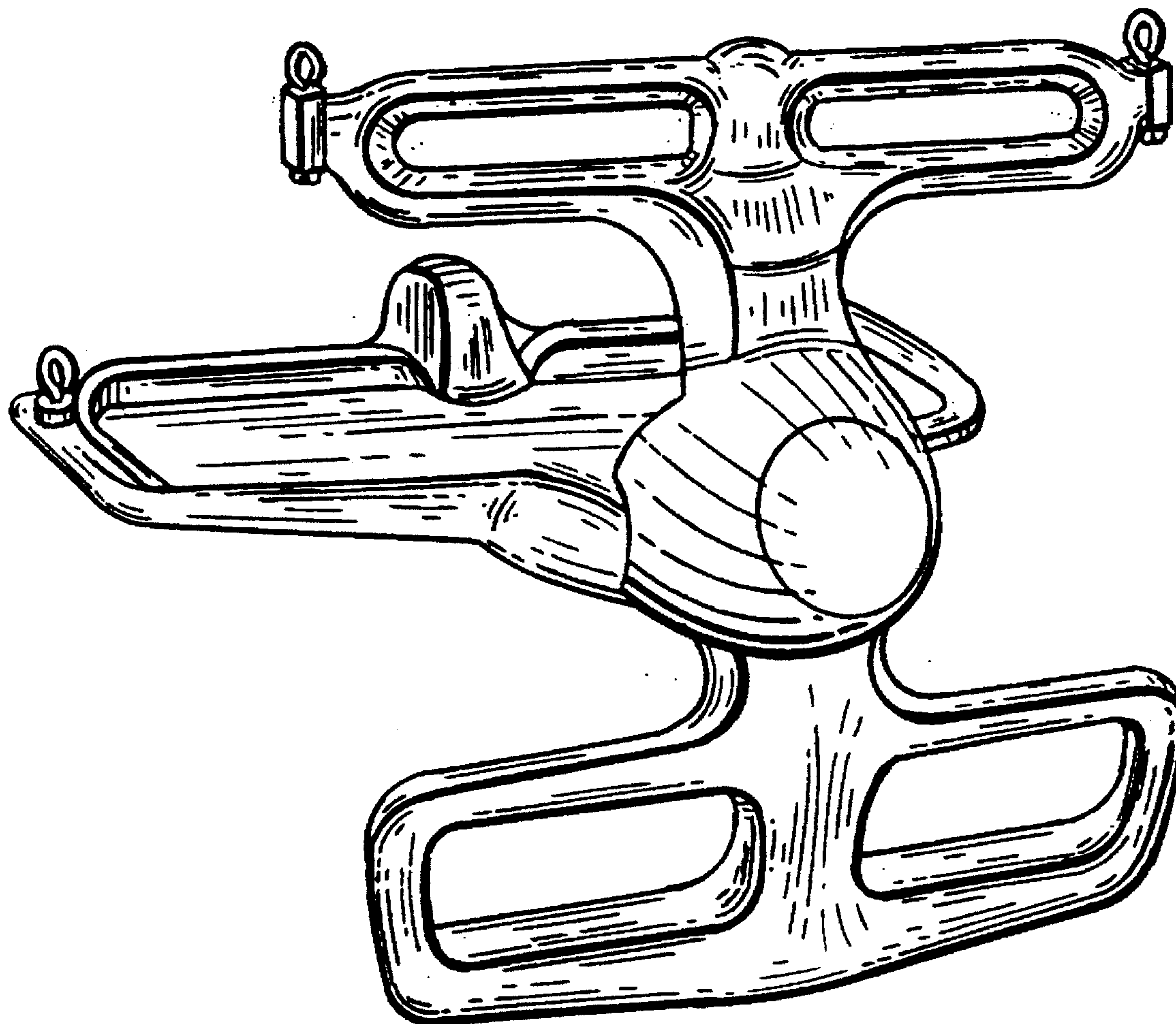
[58] Field of Search D21/240-247;
472/118-125

[56] References Cited

U.S. PATENT DOCUMENTS

D. 224,244	7/1972	Hock	D21/246
D. 339,623	9/1993	Nolan	D21/246
D. 350,381	9/1994	Coddington, Jr. et al.	D21/246
2,059,777	11/1936	Denney	D21/246 X

1 Claim, 3 Drawing Sheets



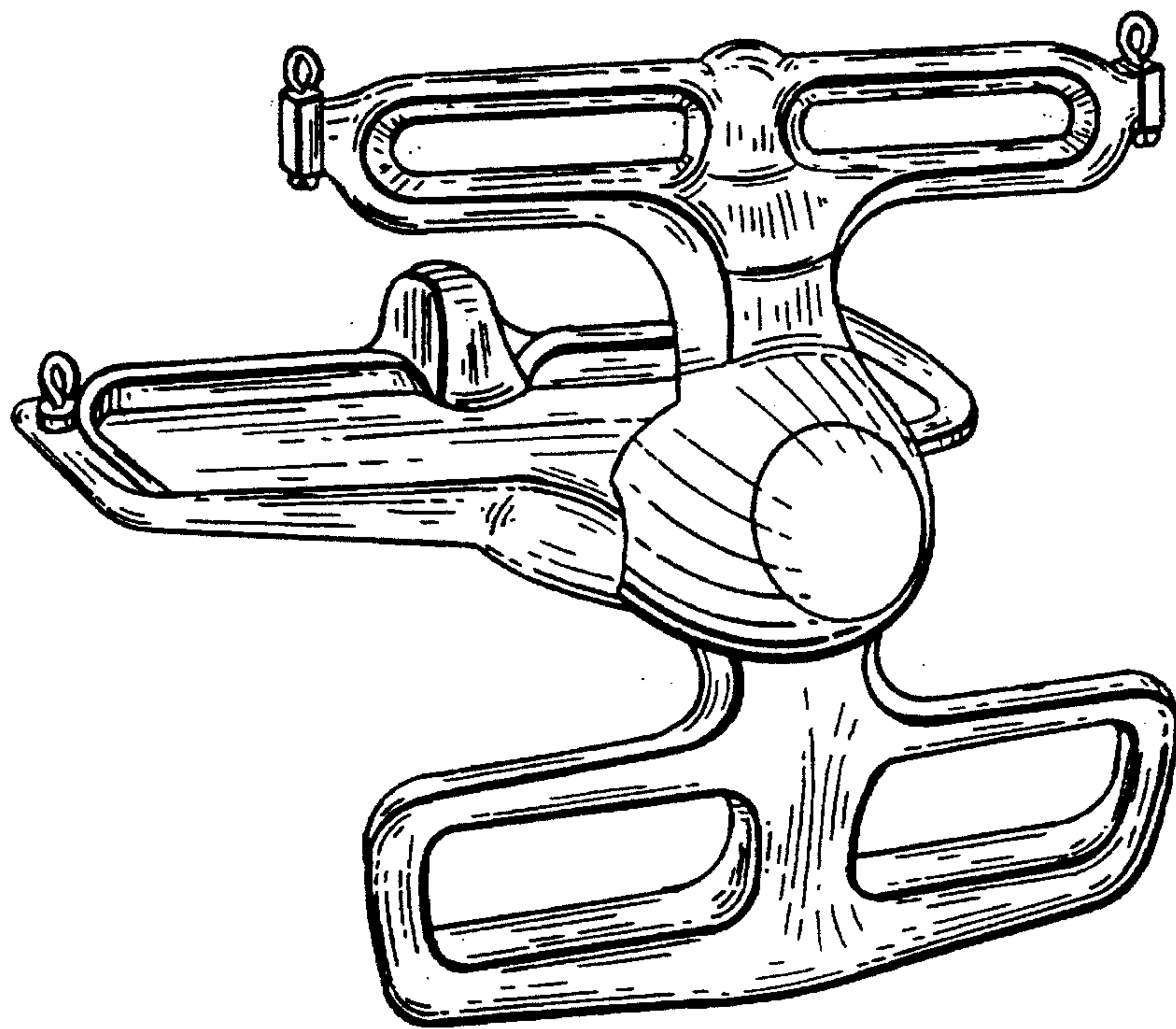


FIG. 1

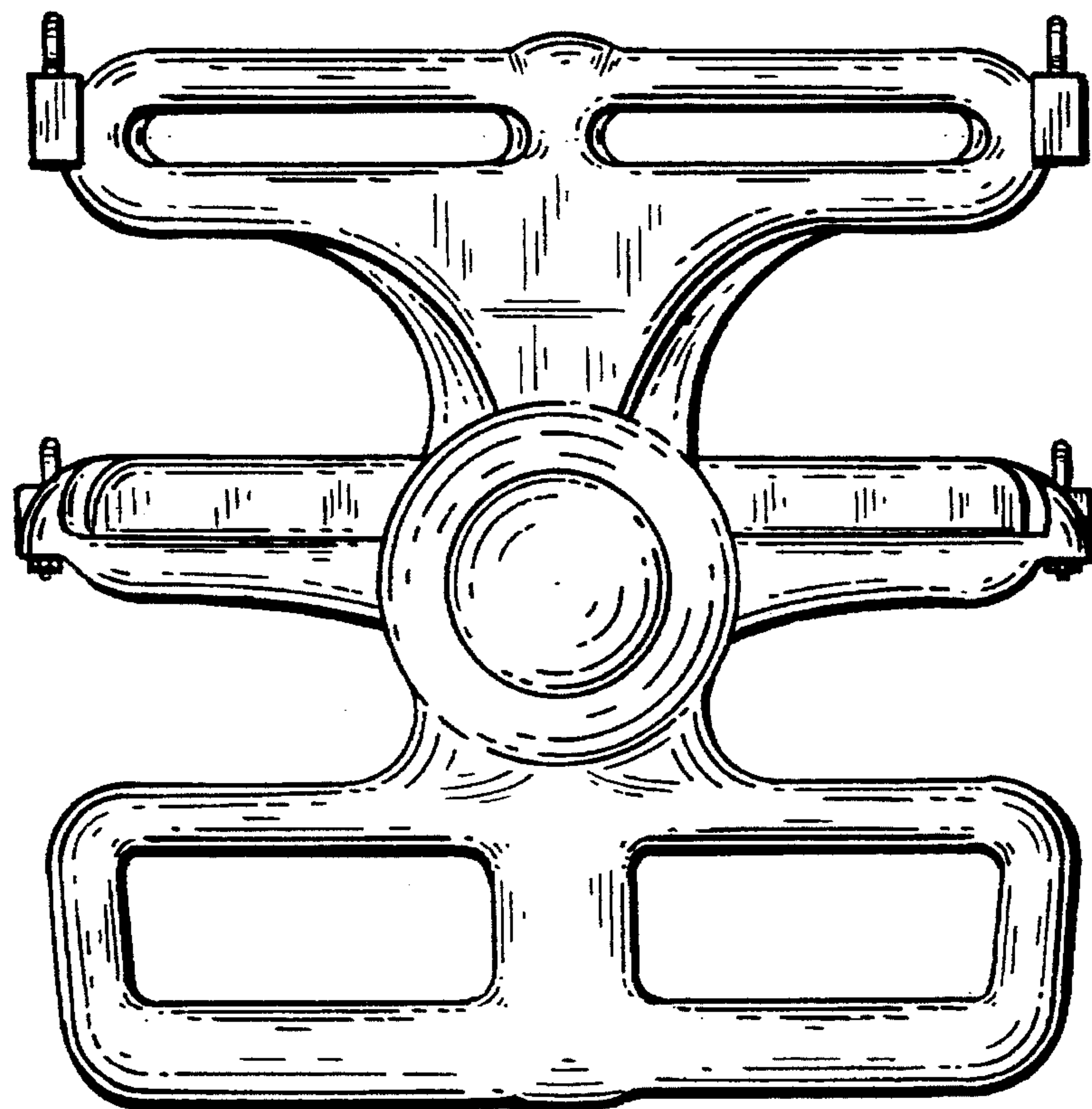


FIG. 2

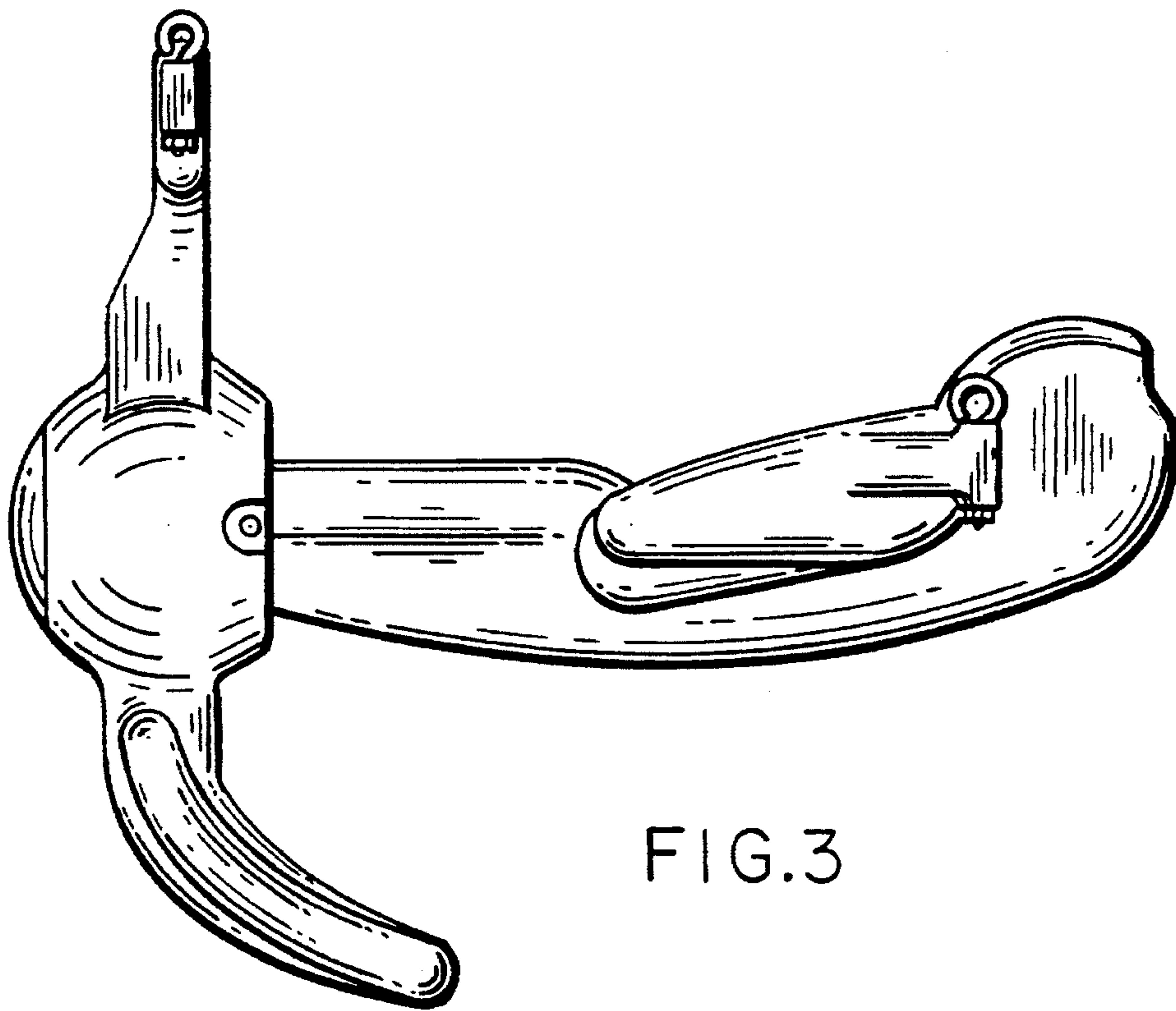


FIG. 3

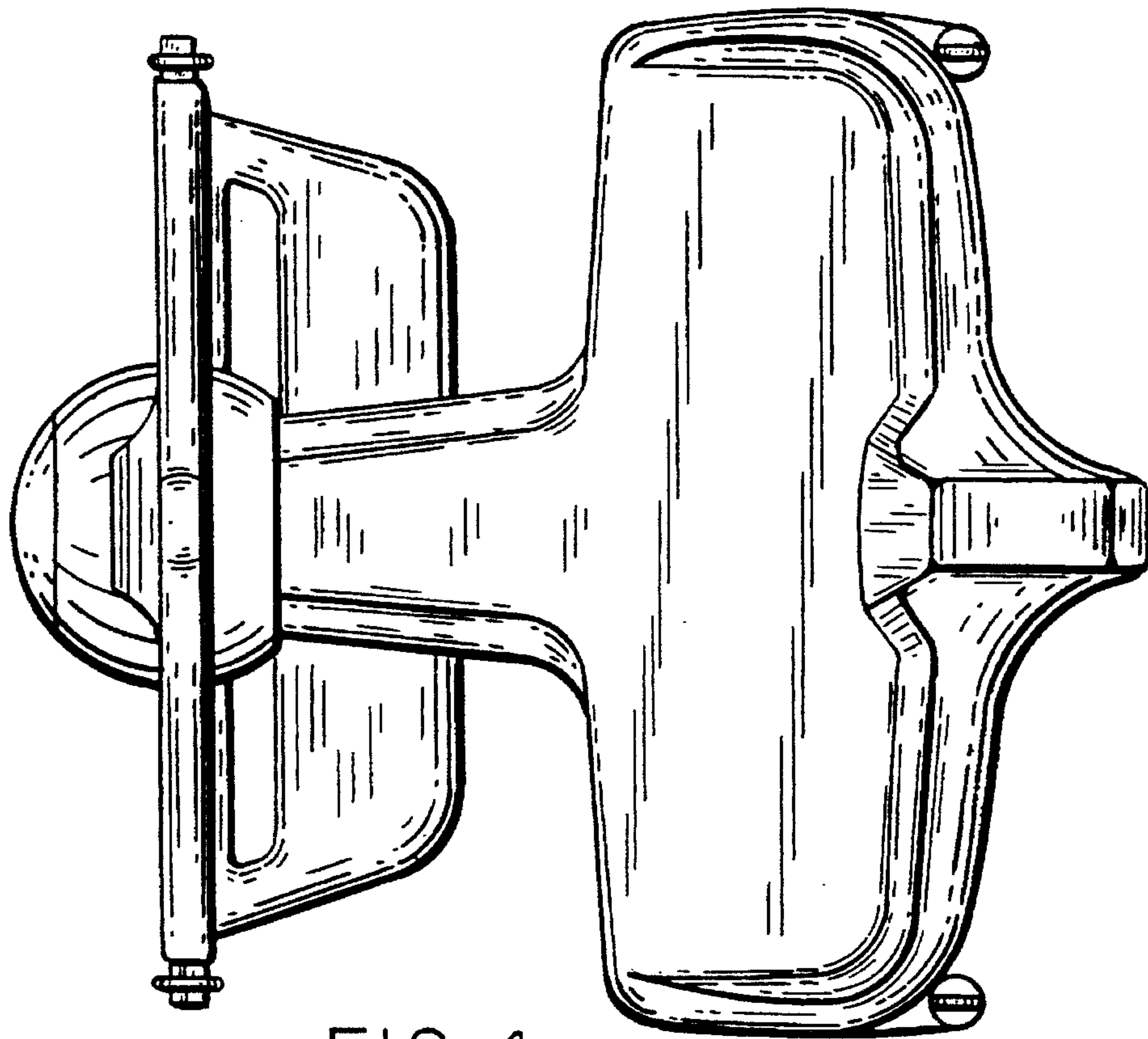


FIG. 4

