



US00D367092S

United States Patent [19] Gustine

[11] Patent Number: **Des. 367,092**

[45] Date of Patent: ****Feb. 13, 1996**

[54] ELASTIC GOLF TEE

OTHER PUBLICATIONS

[76] Inventor: **Floyd L. Gustine**, 5631 Curry Rd.,
Pittsburgh, Pa. 15236

The Beckley-Ralston Co., 1928, p. 23, "Rite-Hite Tee",
Regular size Model.

[**] Term: **14 Years**

Primary Examiner—Ted Shooman
Assistant Examiner—Cheri Cohen
Attorney, Agent, or Firm—William J. Ruano

[21] Appl. No.: **36,684**

[57] CLAIM

[22] Filed: **Mar. 24, 1995**

[52] U.S. Cl. **D21/208**

The ornamental design for an elastic golf tee, as shown and
described.

[58] Field of Search D21/208, 234;
273/32.5, 33, 32 A, 32 B, 32 F, 162 C,
162 D, 162 E, 162 F, 202-212

DESCRIPTION

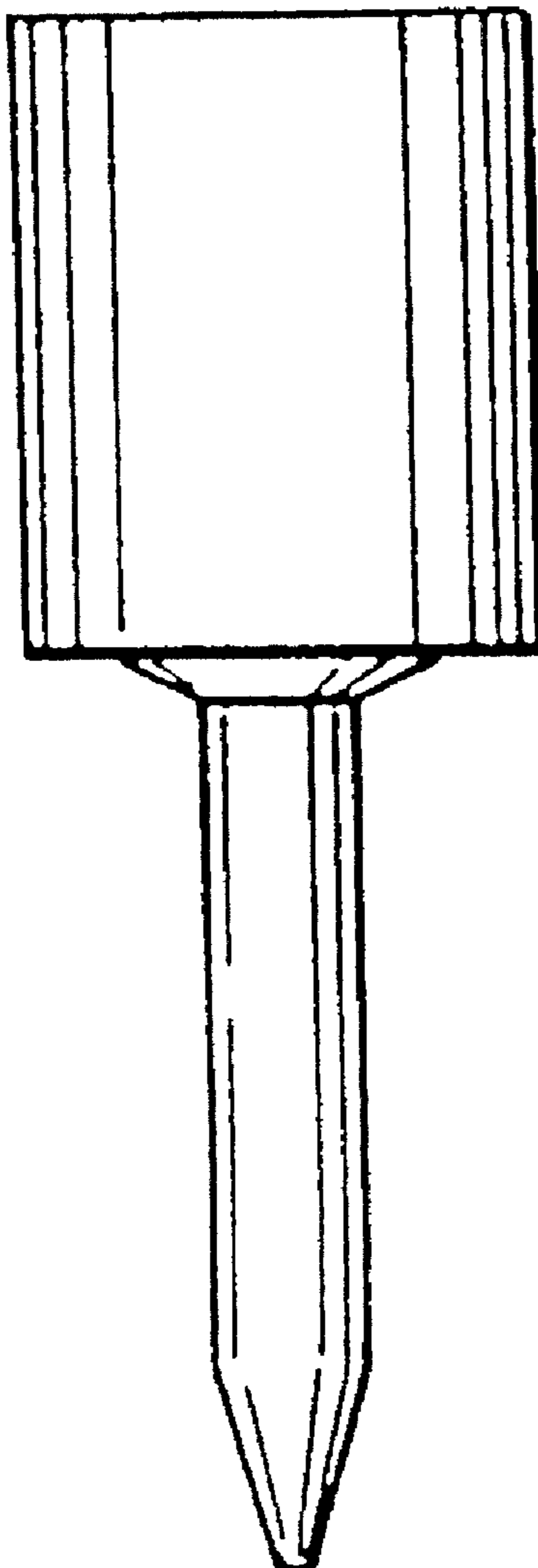
[56] References Cited

FIG. 1 is a front elevation view of an elastic golf tee showing
my new design;
FIG. 2 is a rear view thereof;
FIG. 3 is a bottom view thereof; and,
FIG. 4 is a top view thereof.

U.S. PATENT DOCUMENTS

D. 258,227	2/1981	Coonen	D21/208
1,551,003	8/1925	Bennion	273/209
1,643,113	9/1927	Clark	273/33
3,645,537	2/1972	Parenteau	273/207

1 Claim, 1 Drawing Sheet



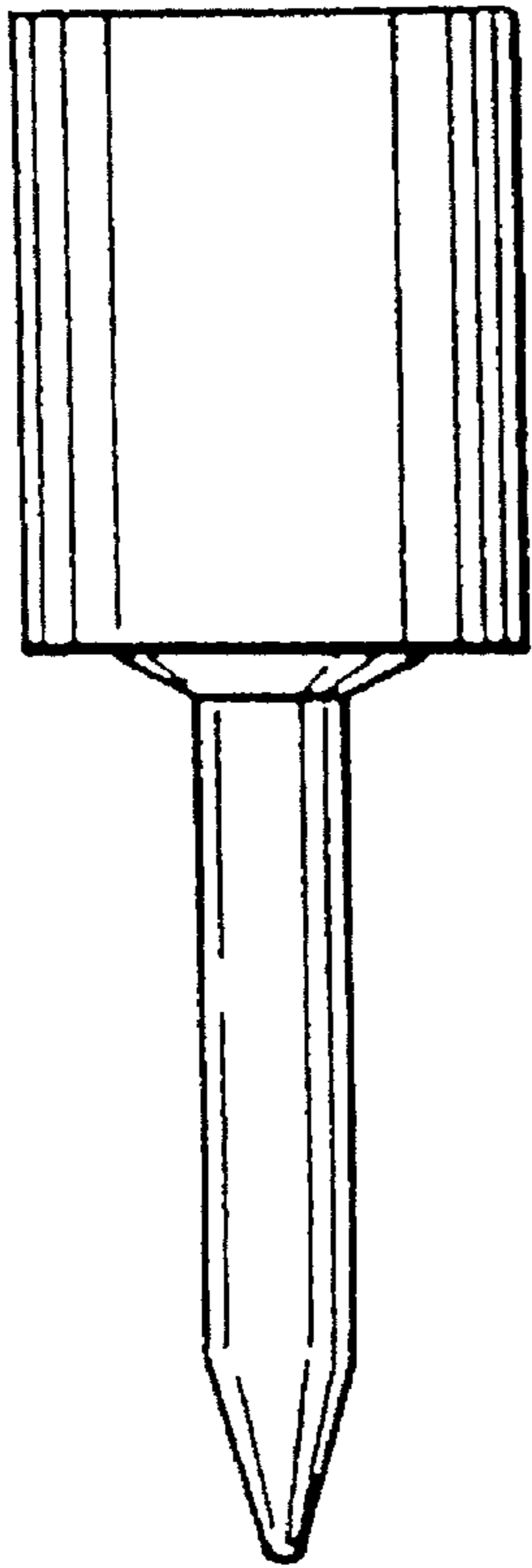


FIG. 1

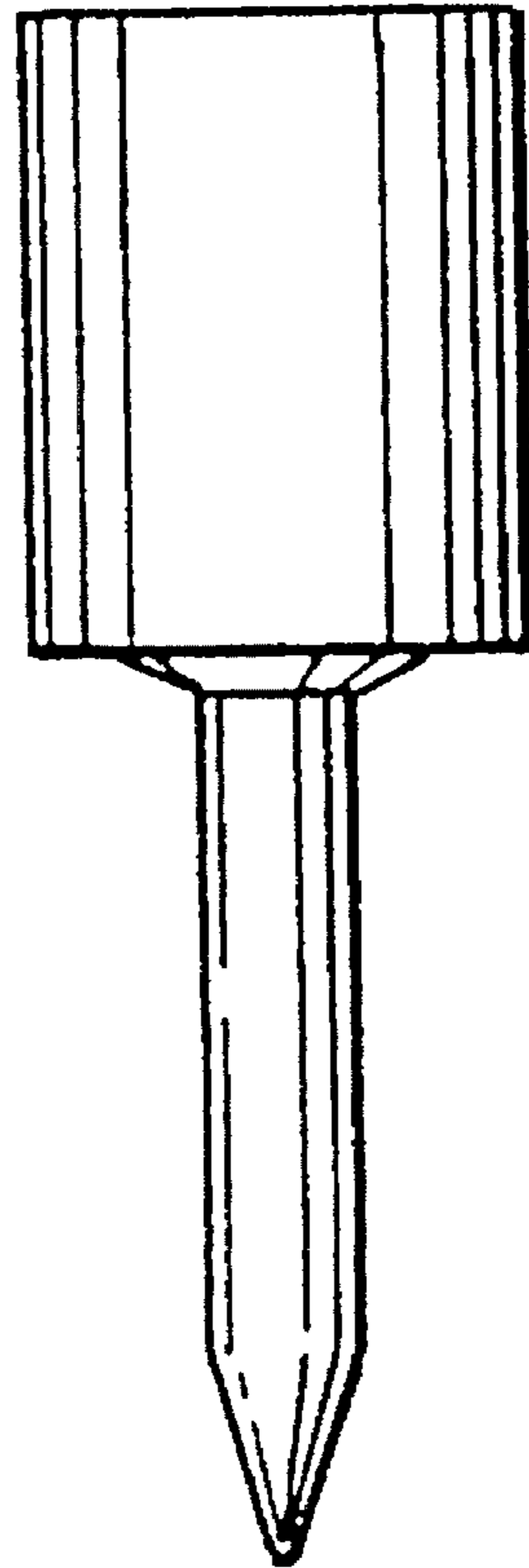


FIG. 2

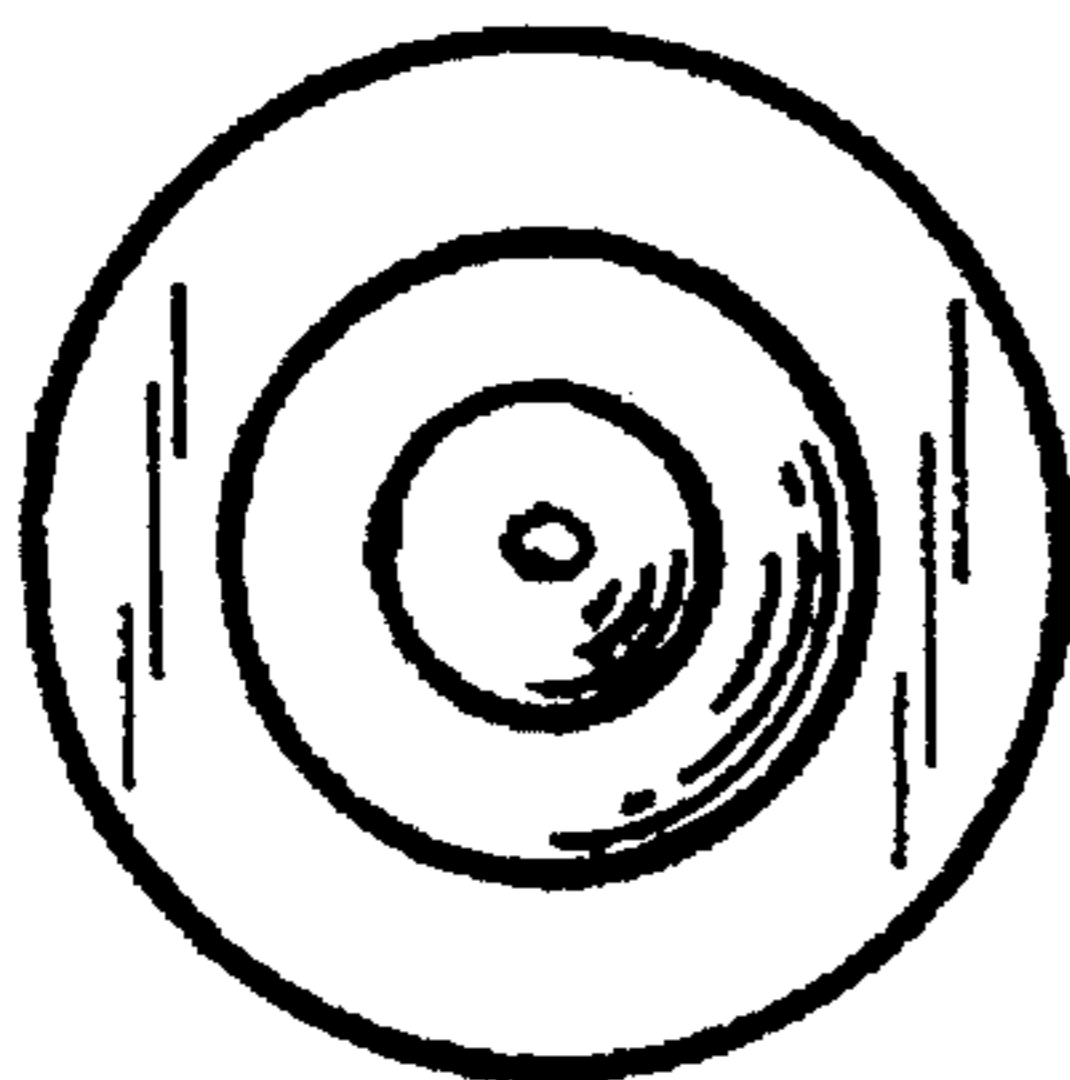


FIG. 3

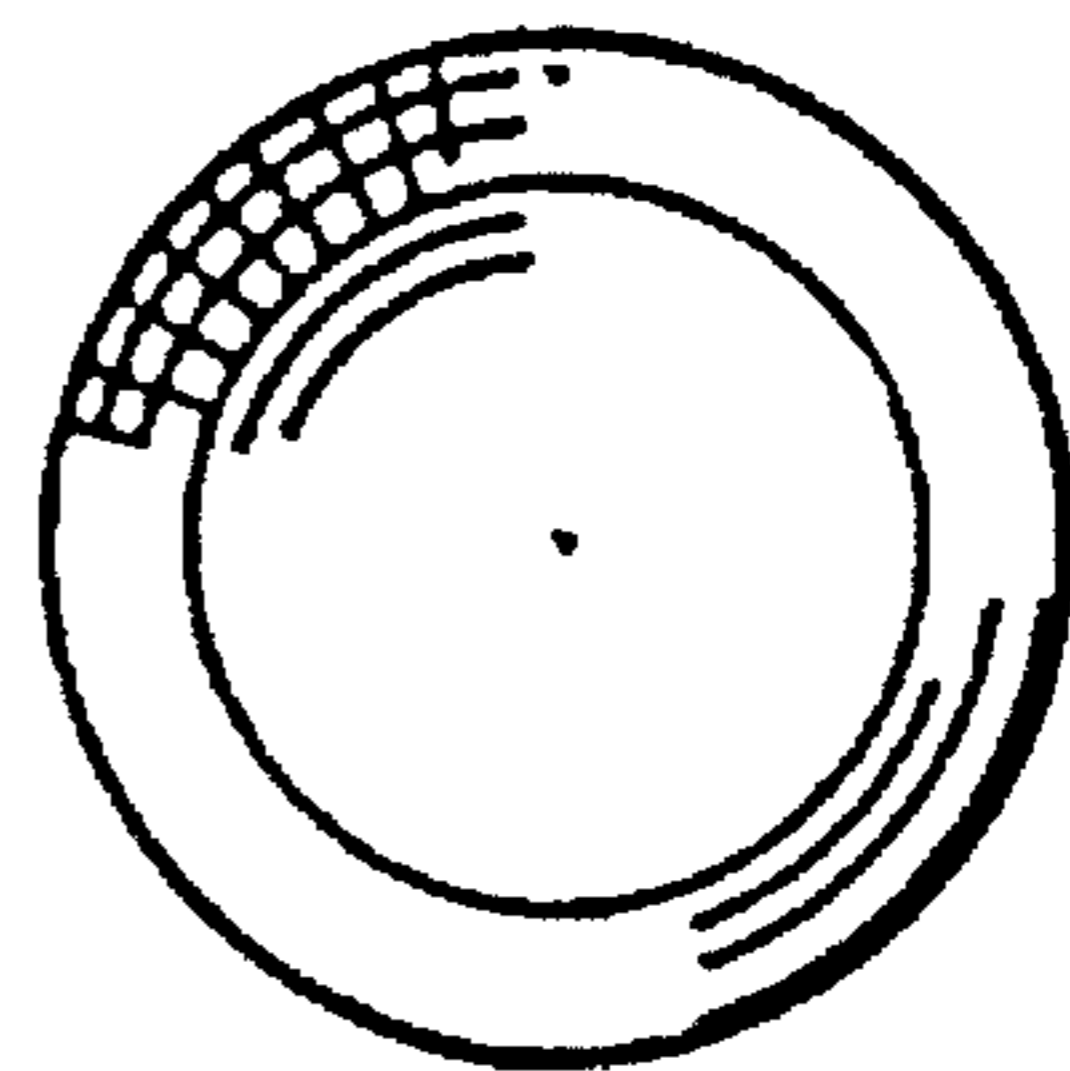


FIG. 4