



US00D367088S

# United States Patent [19]

[11] Patent Number: **Des. 367,088**

Nagel et al.

[45] Date of Patent: **\*\*Feb. 13, 1996**

[54] TOY POWER TOOL

D. 335,075	4/1993	Anthony .....	D8/68
D. 354,530	1/1995	Nagel .....	D21/120
2,829,285	4/1958	Steiner .....	446/145

[76] Inventors: **Dietmar Nagel**, 11 South Rd., Chester, N.J. 07930; **Craig P. Nadel**, 201 Wingate Rd., Parsippany, N.J. 07054

*Primary Examiner*—Ted Shooman  
*Assistant Examiner*—R. Barkai  
*Attorney, Agent, or Firm*—Cohen, Pontani, Lieberman, Pavane

[\*\*] Term: **14 Years**

[21] Appl. No.: **18,370**

## [57] CLAIM

[22] Filed: **Feb. 4, 1994**

The ornamental design for a toy power tool, as shown and described.

[52] U.S. Cl. .... **D21/120**

[58] Field of Search ..... D21/120, 109, D21/59; D8/61, 62, 64, 68; 446/144, 145

## DESCRIPTION

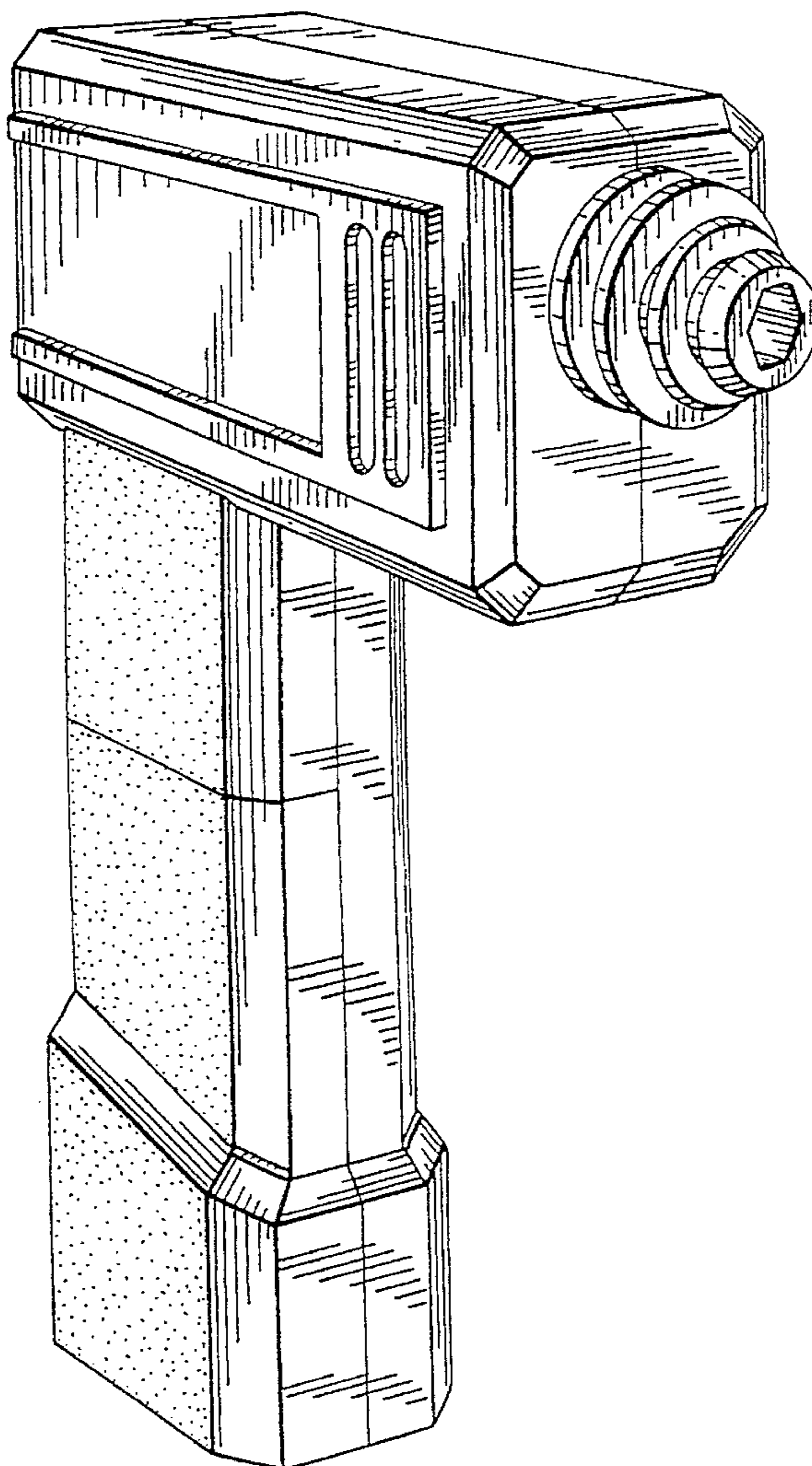
### [56] References Cited

#### U.S. PATENT DOCUMENTS

D. 262,473	12/1981	Wildman .....	D8/68
D. 262,559	1/1982	Klawitter .....	D21/120
D. 295,141	4/1988	Hoshino .....	D8/68
D. 299,411	1/1989	Forcaro .....	D8/68
D. 315,855	4/1991	Fushita et al. ....	D8/68
D. 327,619	7/1992	Tsai .....	D8/68
D. 333,960	3/1993	Somers .....	D8/68

FIG. 1 is a front, left side, elevated perspective view of a toy power tool showing my new design; FIG. 2 is a top plan view of the design; FIG. 3 is a right side view of the design; FIG. 4 is a left side view of the design; FIG. 5 is a front view of the design; FIG. 6 is a rear view of the design; and, FIG. 7 is a bottom plan view of the design.

**1 Claim, 4 Drawing Sheets**



*FIG. 1*

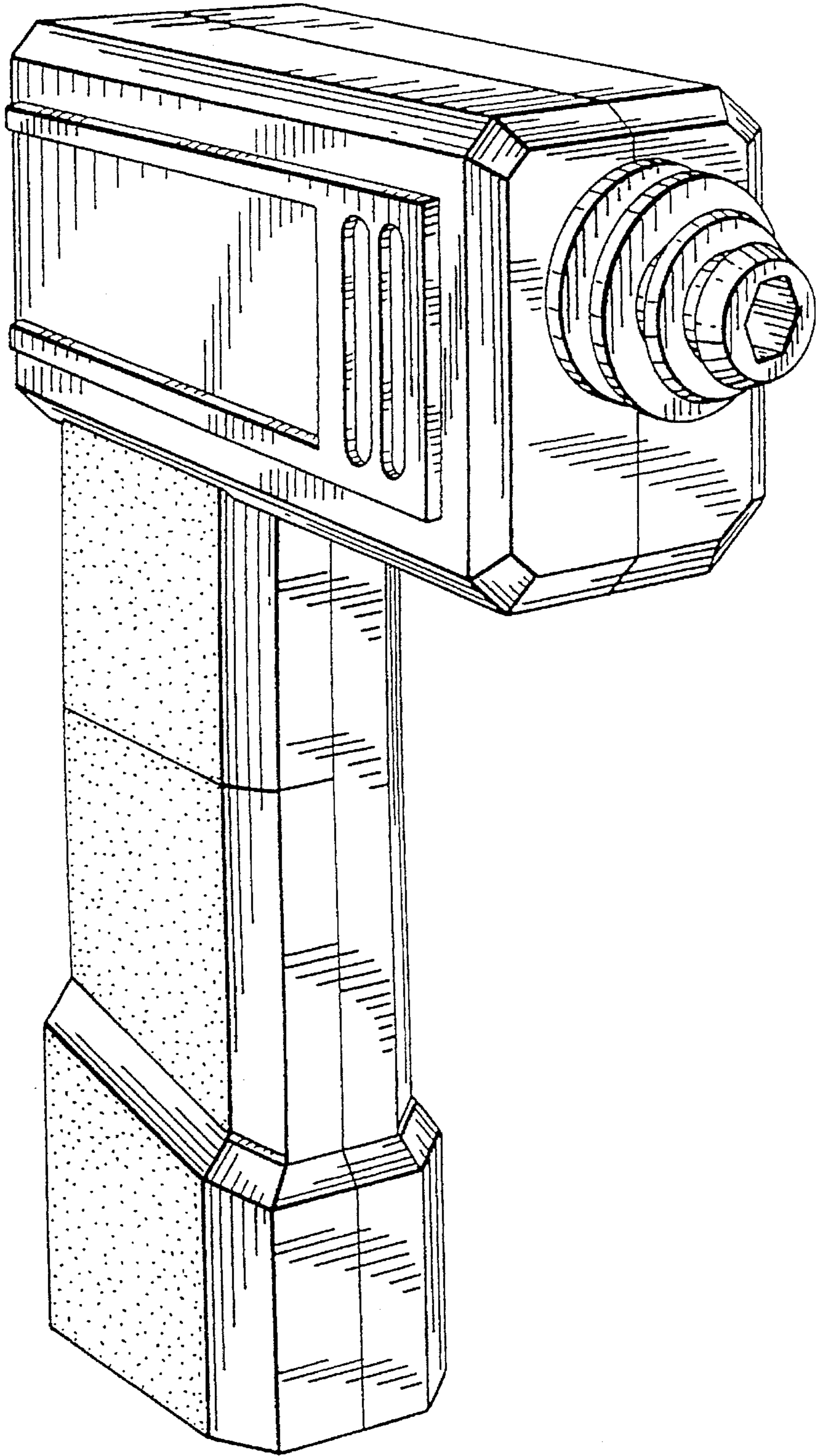


FIG. 2

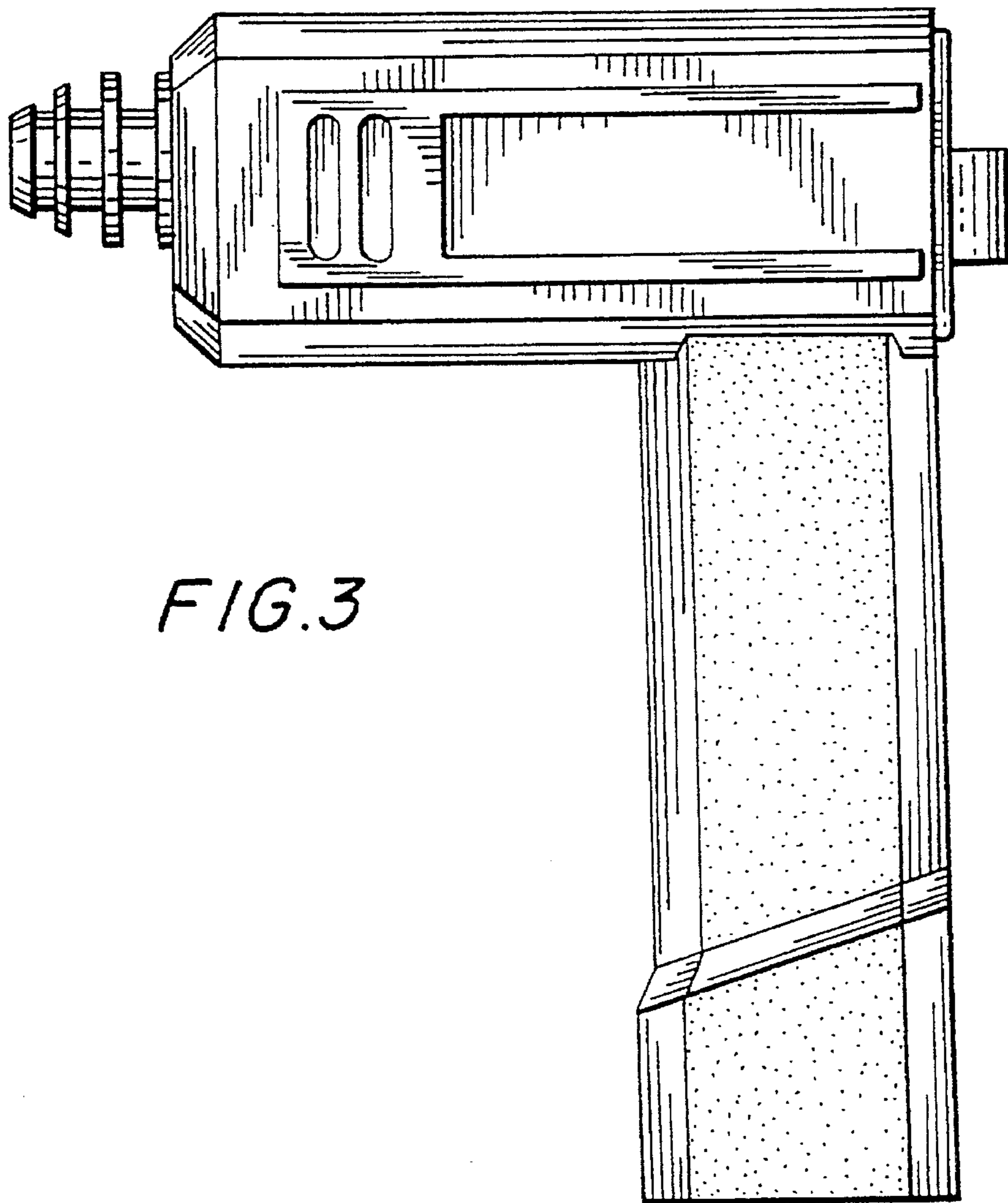
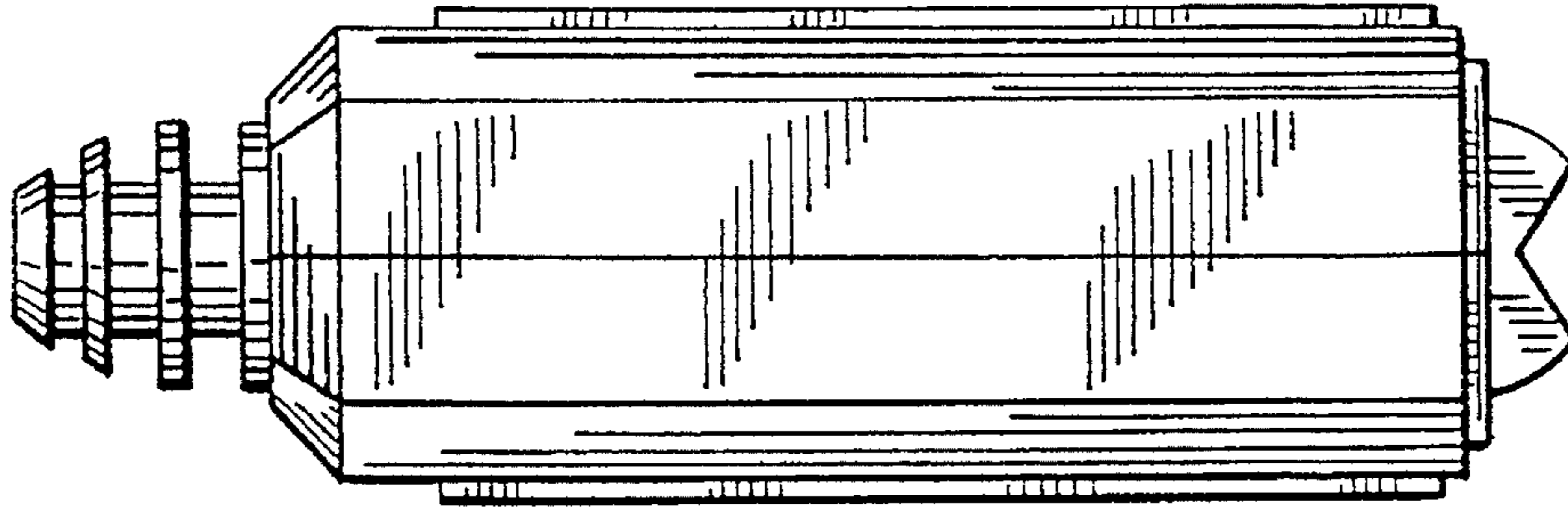


FIG. 3

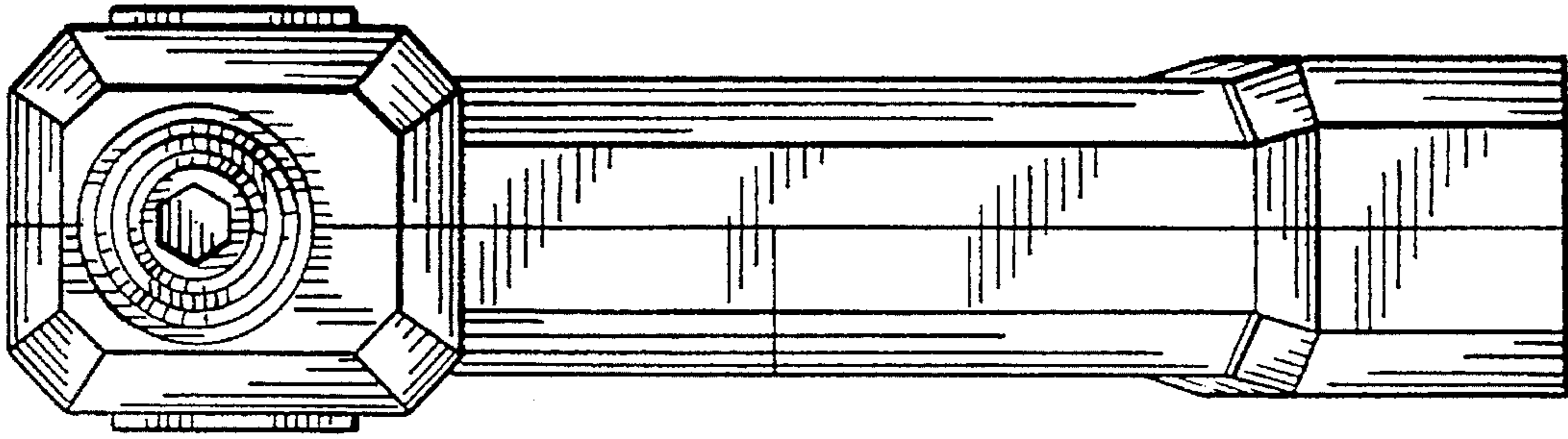


FIG. 5

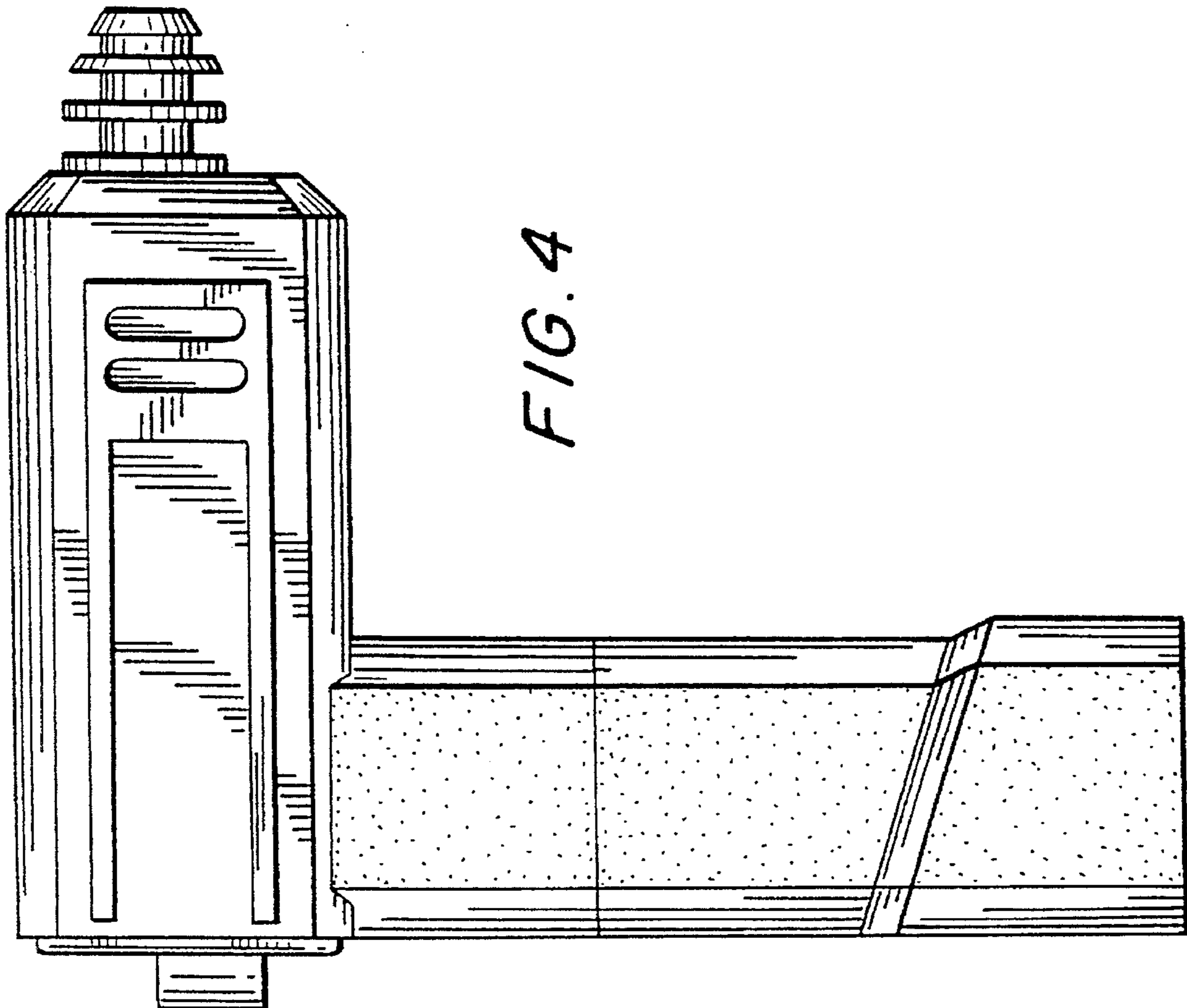
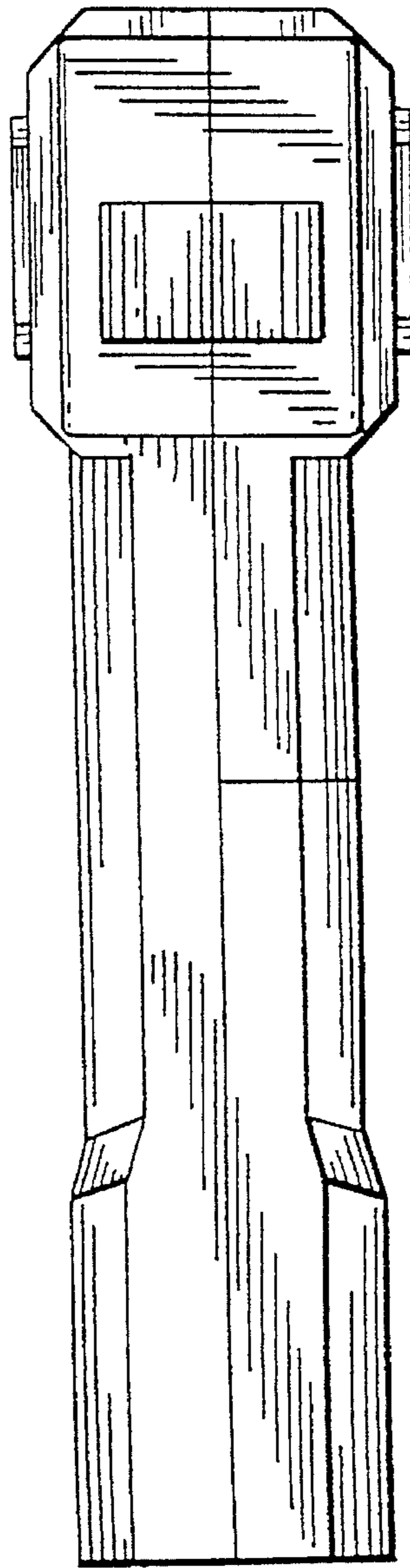


FIG. 4

*FIG. 6*



*FIG. 7*

