



US00D367087S

United States Patent [19]
Mathews

[11] **Patent Number: Des. 367,087**
[45] **Date of Patent: **Feb. 13, 1996**

[54] **TOY FLASHLIGHT**

FOREIGN PATENT DOCUMENTS

[75] Inventor: **John G. Mathews**, Providence, R.I.

614531 12/1960 Italy 362/200

[73] Assignee: **SRL, Inc.**, Wilmington, Del.

Primary Examiner—Susan J. Lucas
Attorney, Agent, or Firm—Fish & Richardson

[**] Term: **14 Years**

[57] **CLAIM**

[21] Appl. No.: **34,108**

The ornamental design for a toy flashlight, as shown and described.

[22] Filed: **Jan. 27, 1995**

[52] U.S. Cl. **D21/109; D21/120; D26/37; D26/39**

[58] **Field of Search** **D26/37, 38, 39, D26/46; 362/157, 158, 183, 186, 200; D21/109, 120**

DESCRIPTION

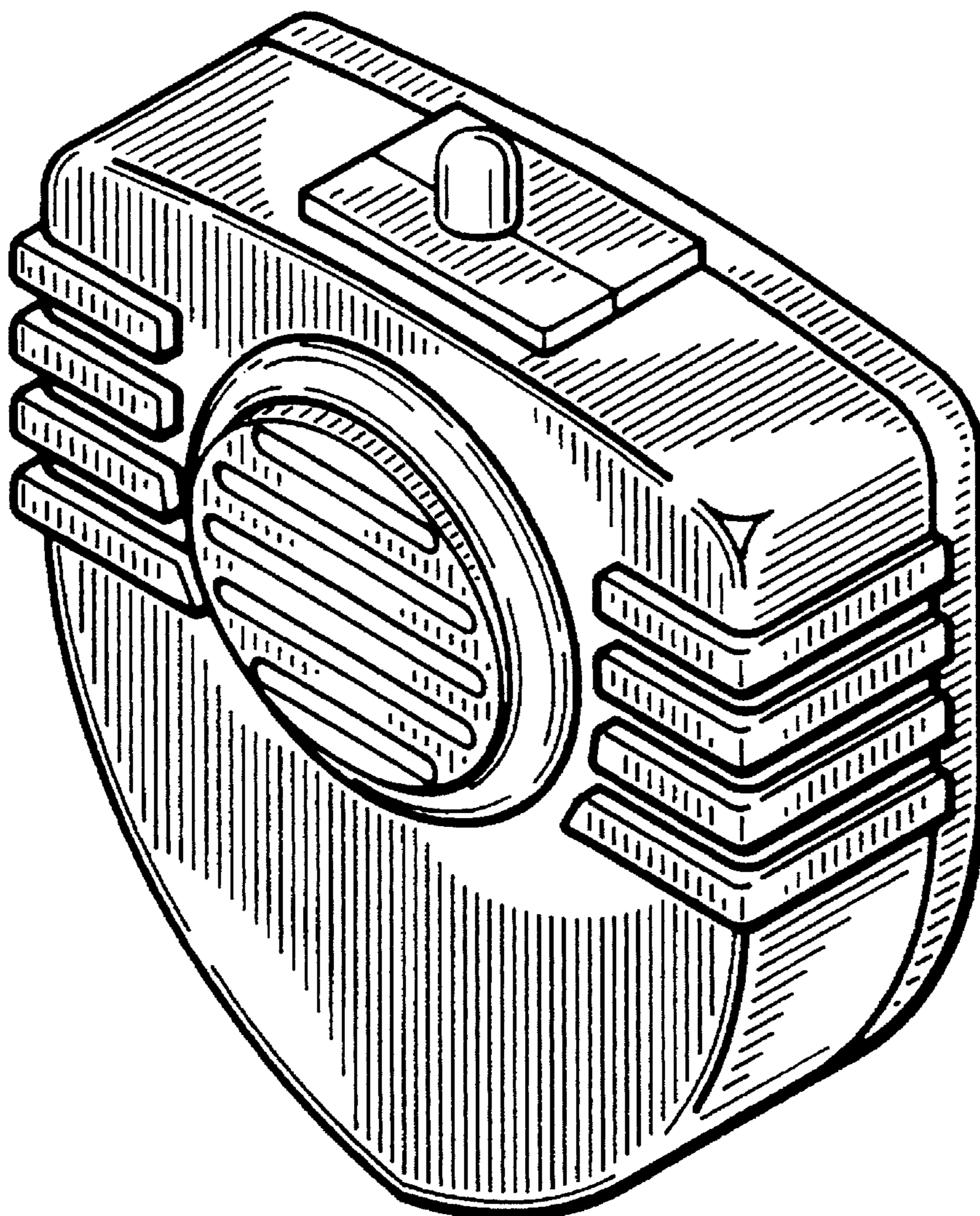
FIG. 1 is a perspective view of a toy flashlight; FIG. 2 is a front view of the toy flashlight of FIG. 1; FIG. 3 is a back view of the flashlight of FIG. 1; FIG. 4 is a left side view of the flashlight of FIG. 1; FIG. 5 is a right side view of the flashlight of FIG. 1; FIG. 6 is a top view of the flashlight of FIG. 1; and, FIG. 7 is a bottom view of the flashlight of FIG. 1.

[56] **References Cited**

U.S. PATENT DOCUMENTS

D. 199,800 12/1964 Schwartz D26/46

1 Claim, 2 Drawing Sheets



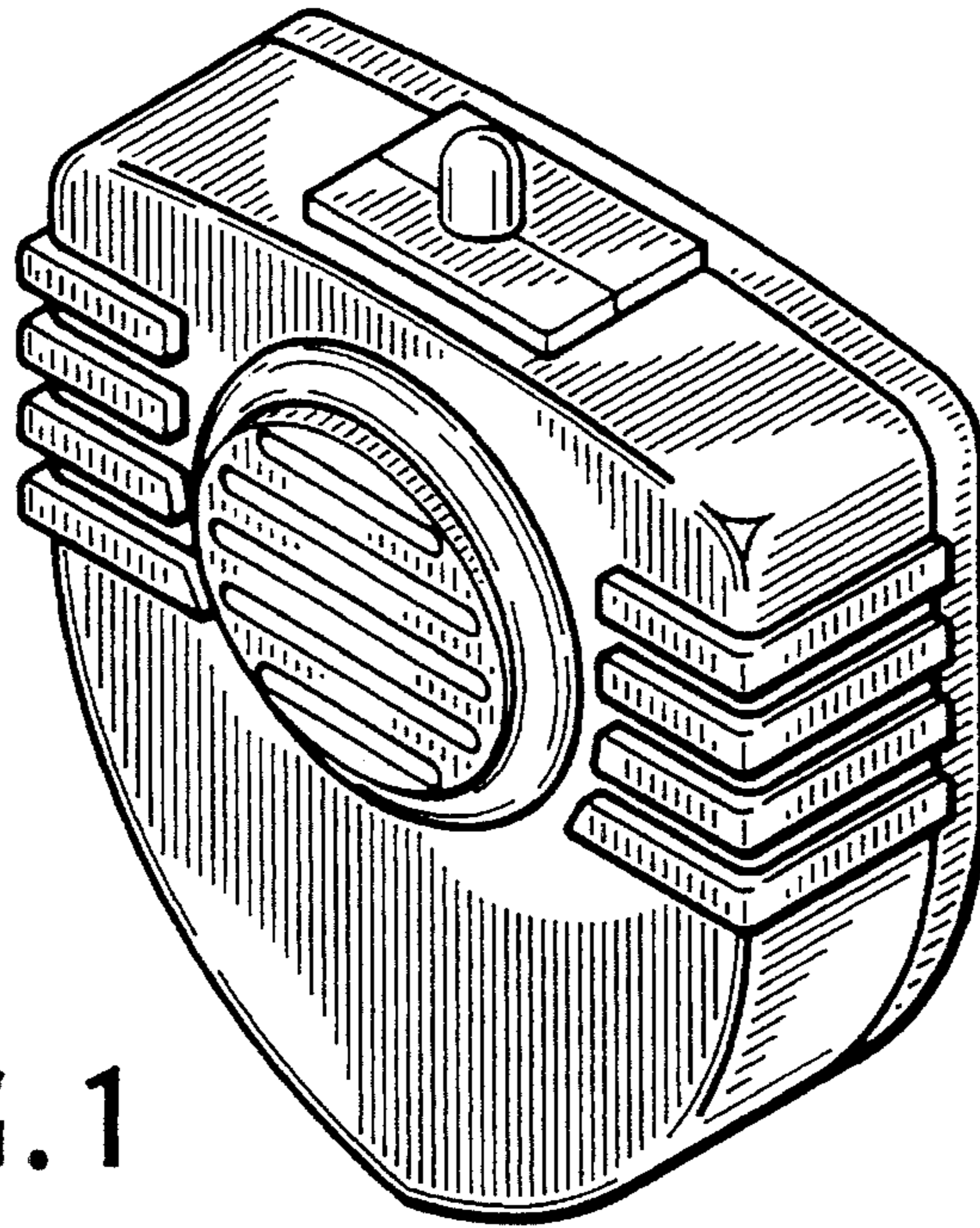


FIG. 1

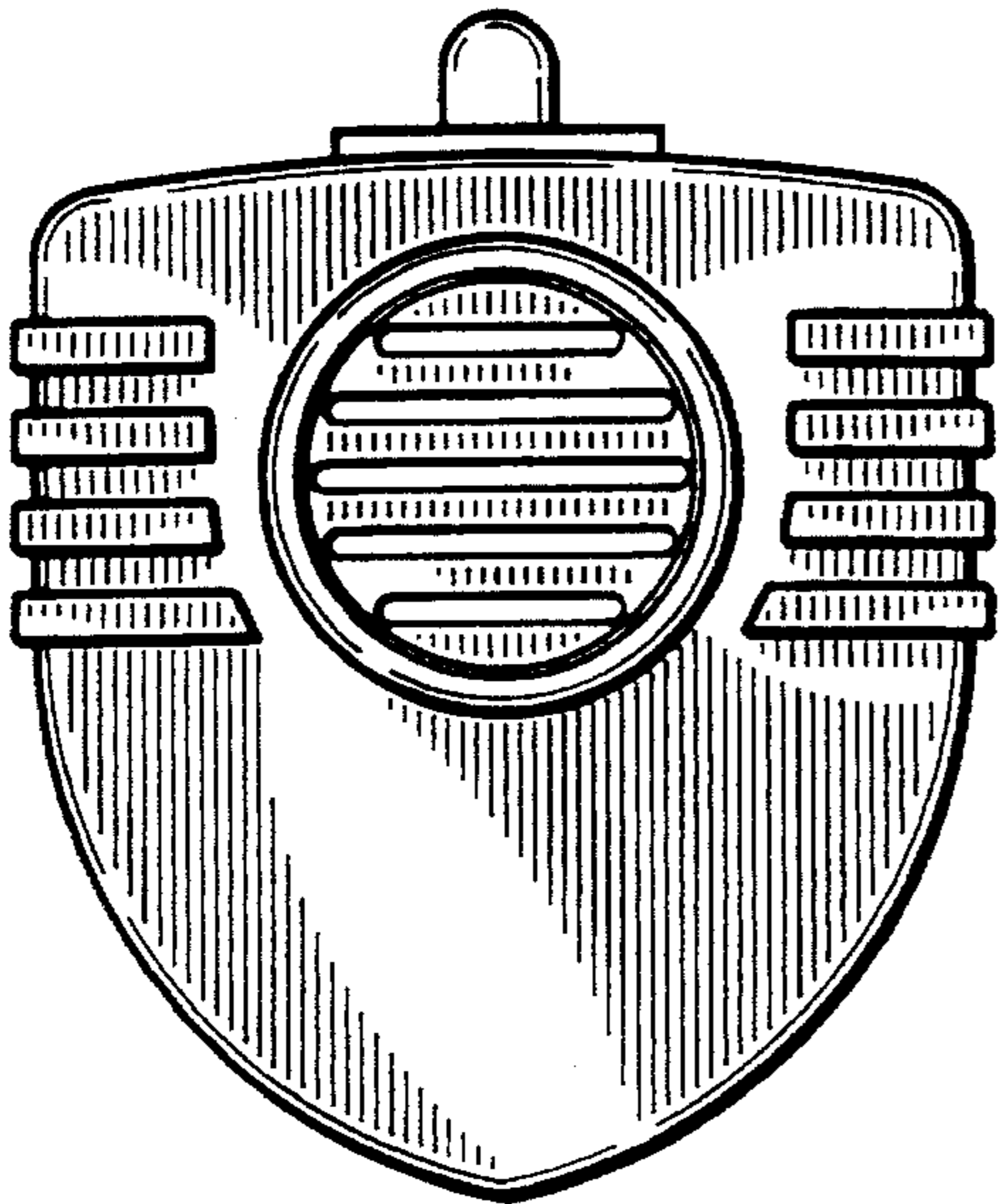


FIG. 2

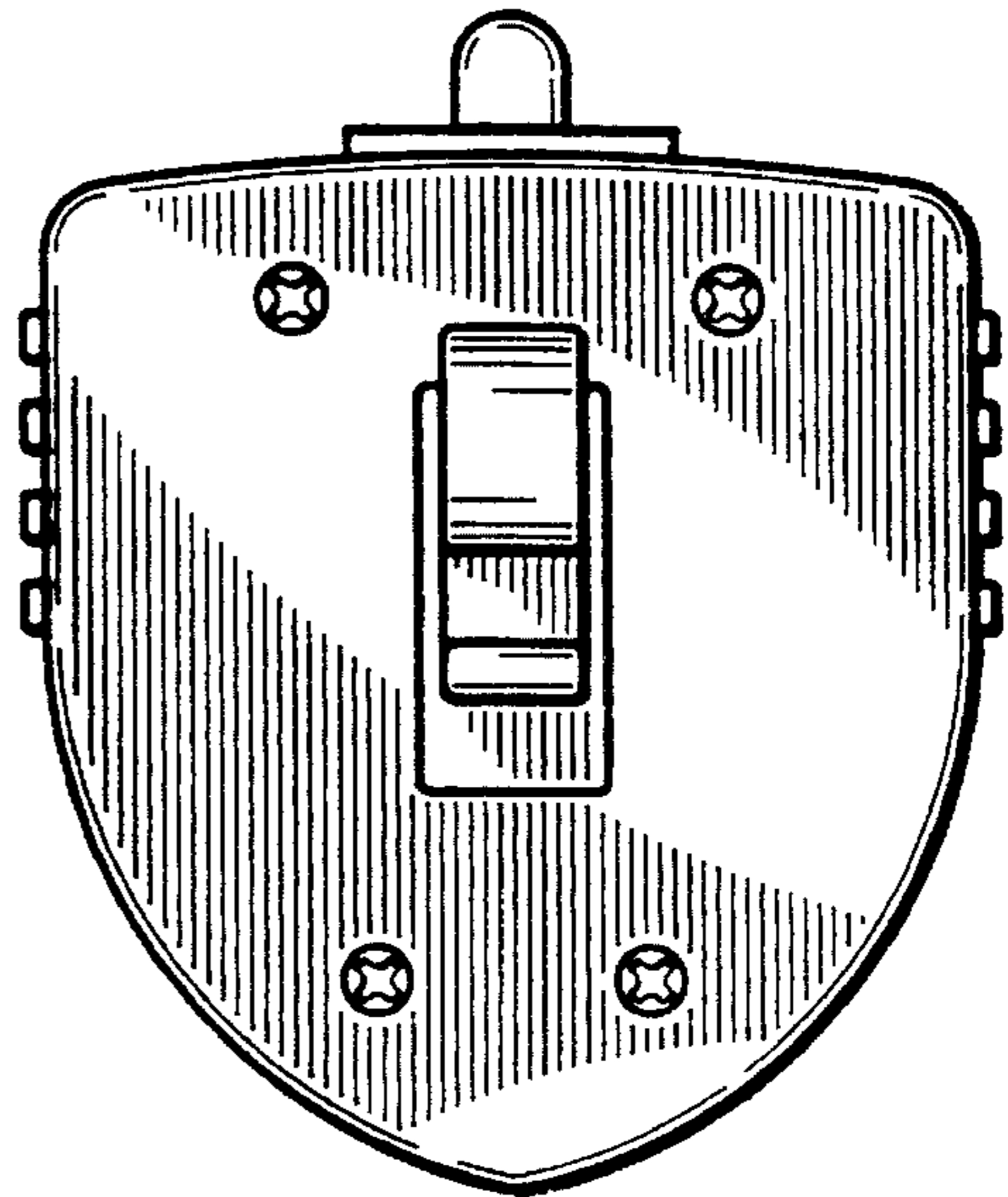


FIG. 3

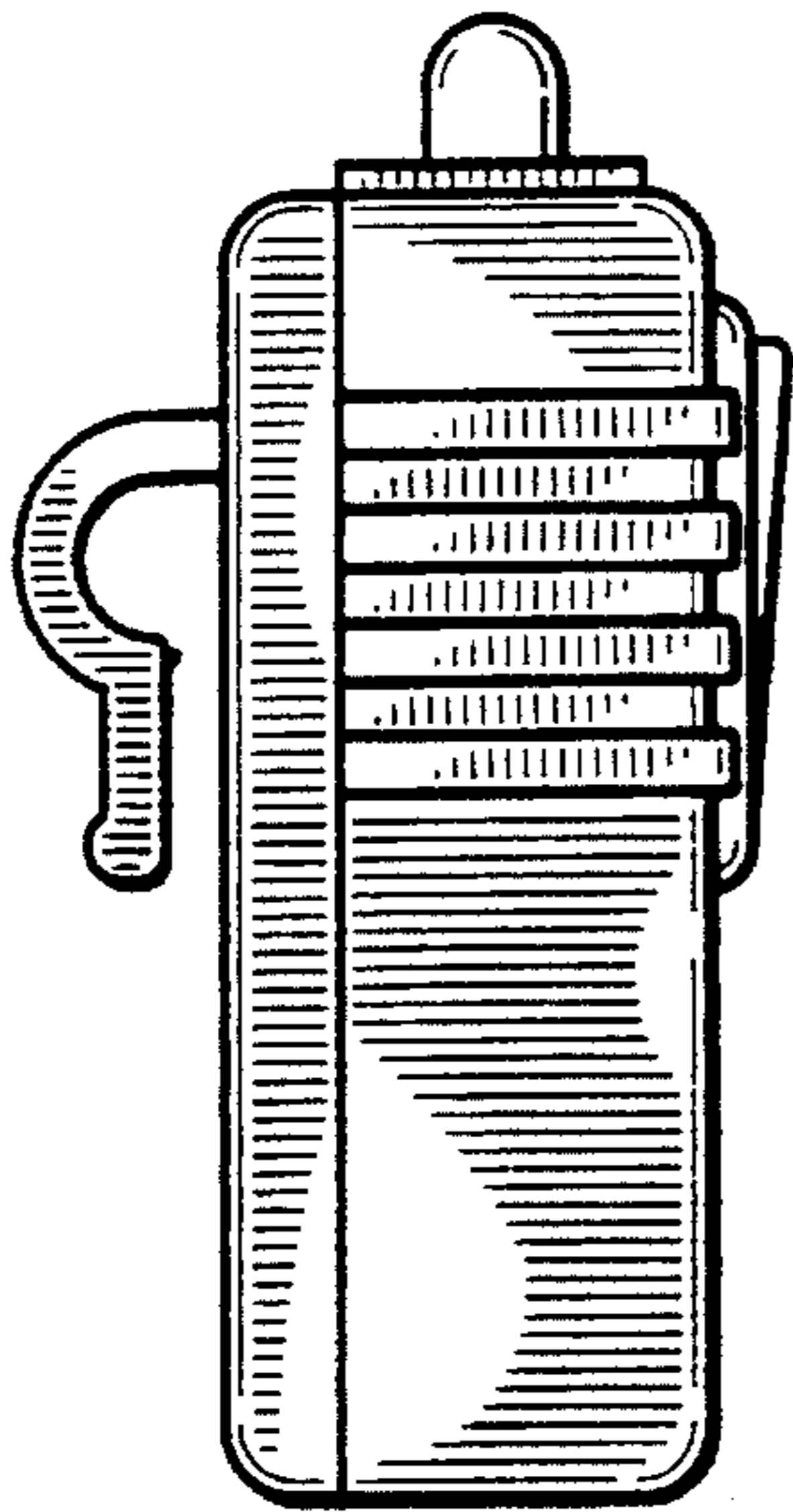


FIG. 4

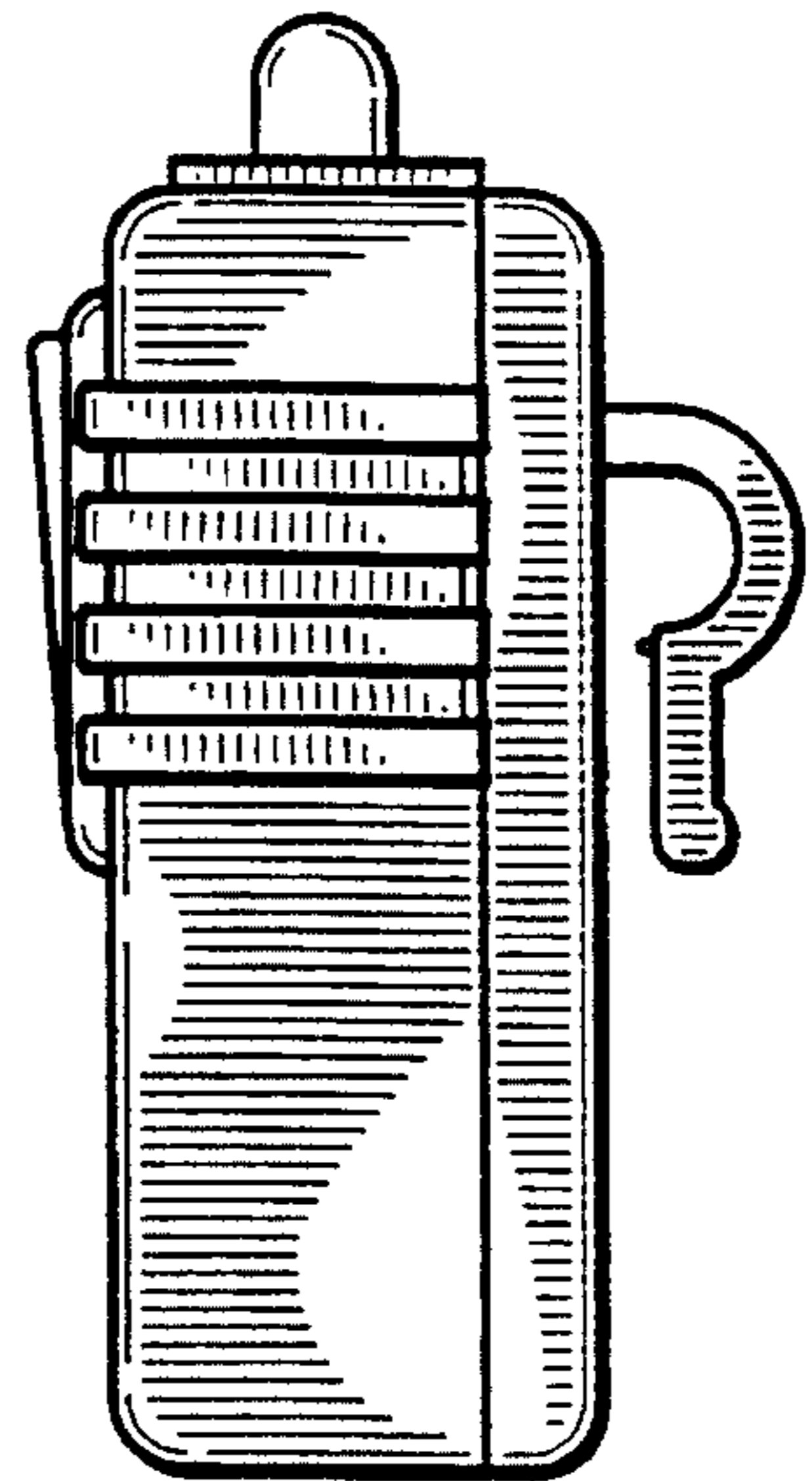


FIG. 5

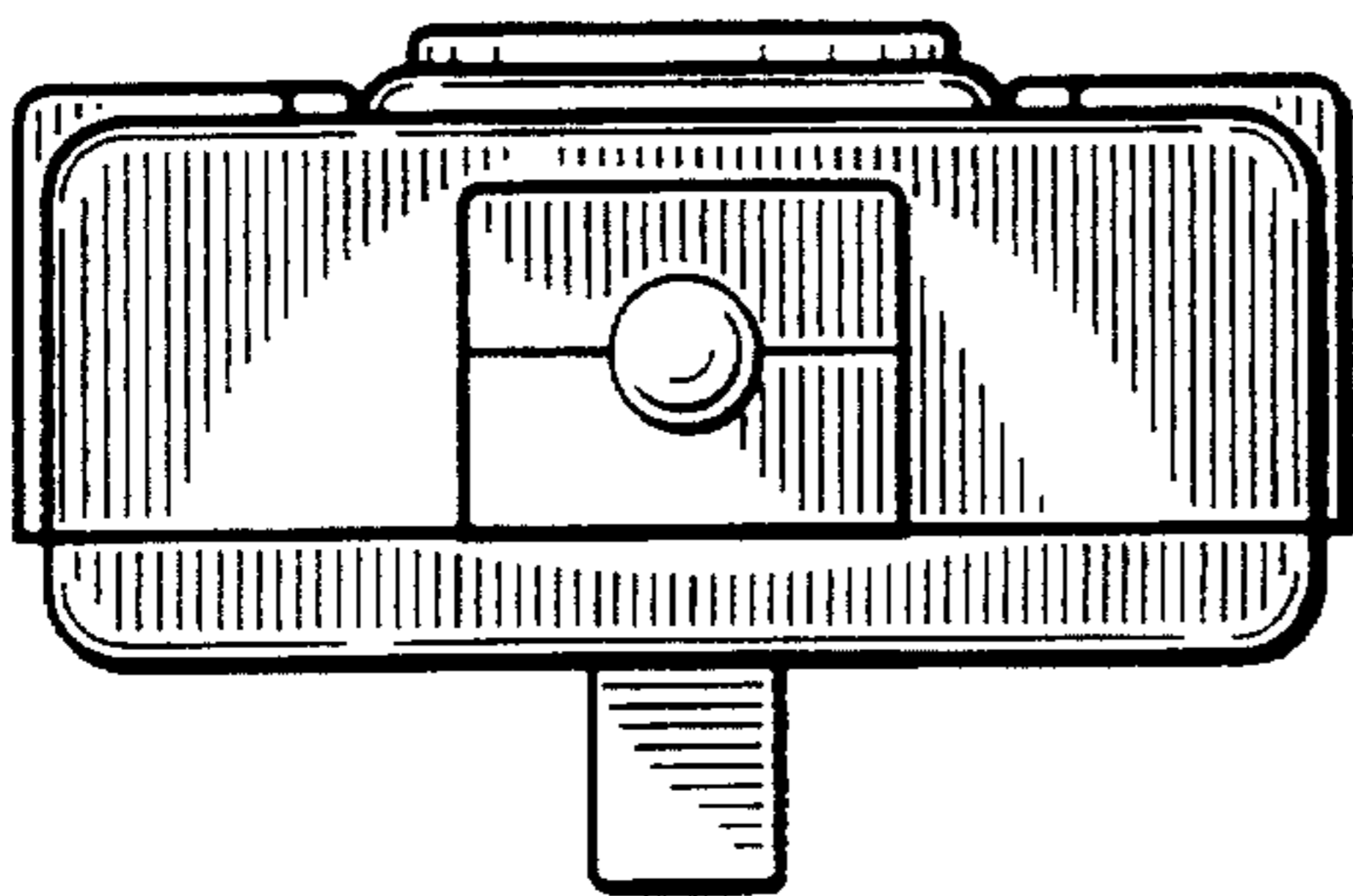


FIG. 6

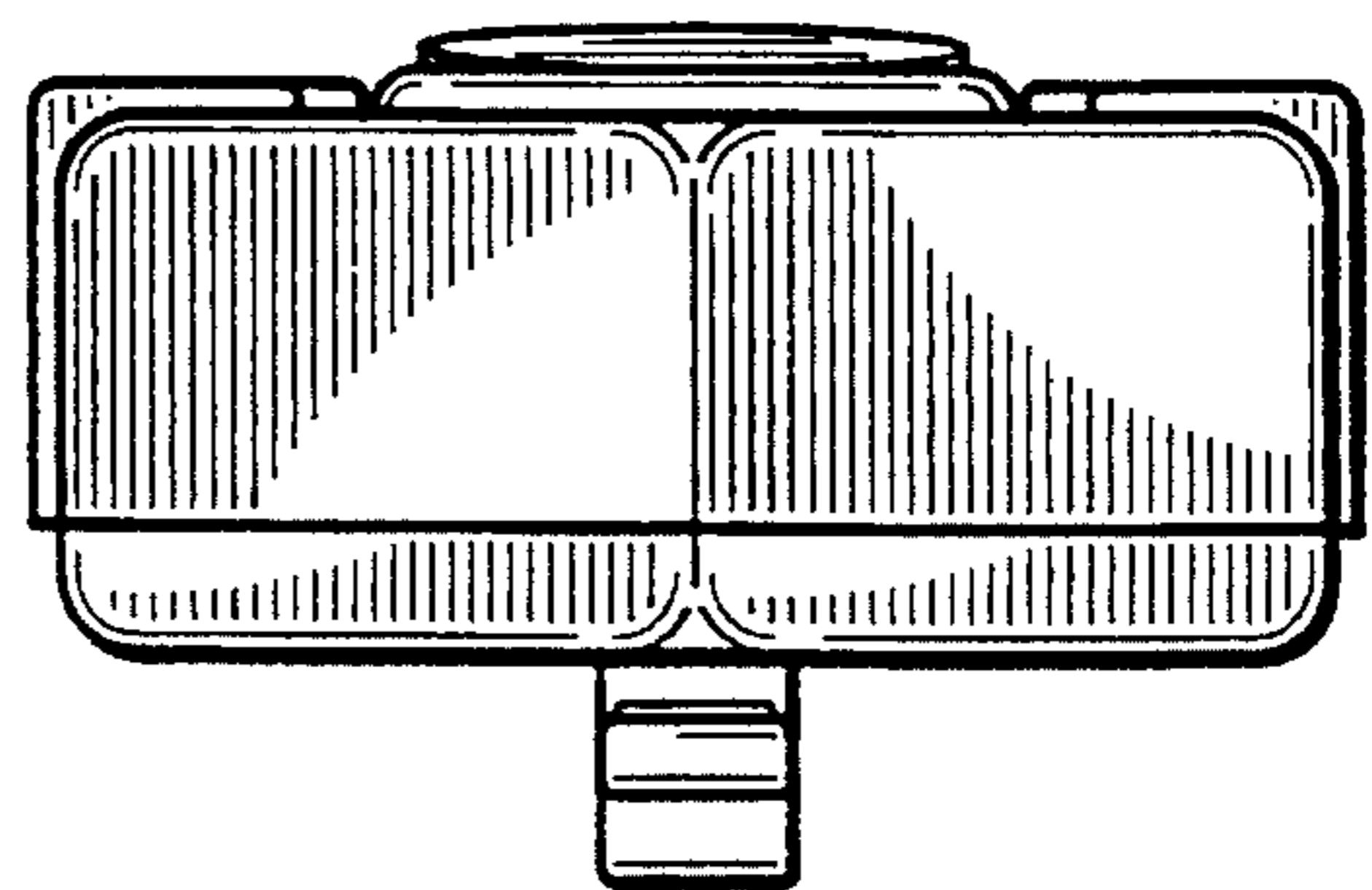


FIG. 7