



US00D367086S

United States Patent [19]

Chesler et al.

[11] Patent Number: Des. 367,086

[45] Date of Patent: **Feb. 13, 1996

[54] H-CONNECTOR FOR TOY CONSTRUCTION SYSTEM

[76] Inventors: Mark C. Chesler; Fleur Chesler, both of 4535 Encino Ave., Encino, Calif. 91316

[**] Term: 14 Years

[21] Appl. No.: 34,879

[22] Filed: Feb. 15, 1995

[52] U.S. Cl. D21/108

[58] Field of Search D21/59, 108, 141; 446/103, 104, 106, 108, 110, 119, 121, 125, 127, 128

[56] References Cited

U.S. PATENT DOCUMENTS

D. 305,041	12/1989	Erickson	D21/108
1,371,619	3/1921	Greenstreet	D21/108
1,574,191	2/1926	Groves	446/106
2,028,229	1/1936	Luhn	446/127
4,585,422	4/1986	Kay	446/106

Primary Examiner—Prabhakar G. Deshmukh
Assistant Examiner—R. Barkai

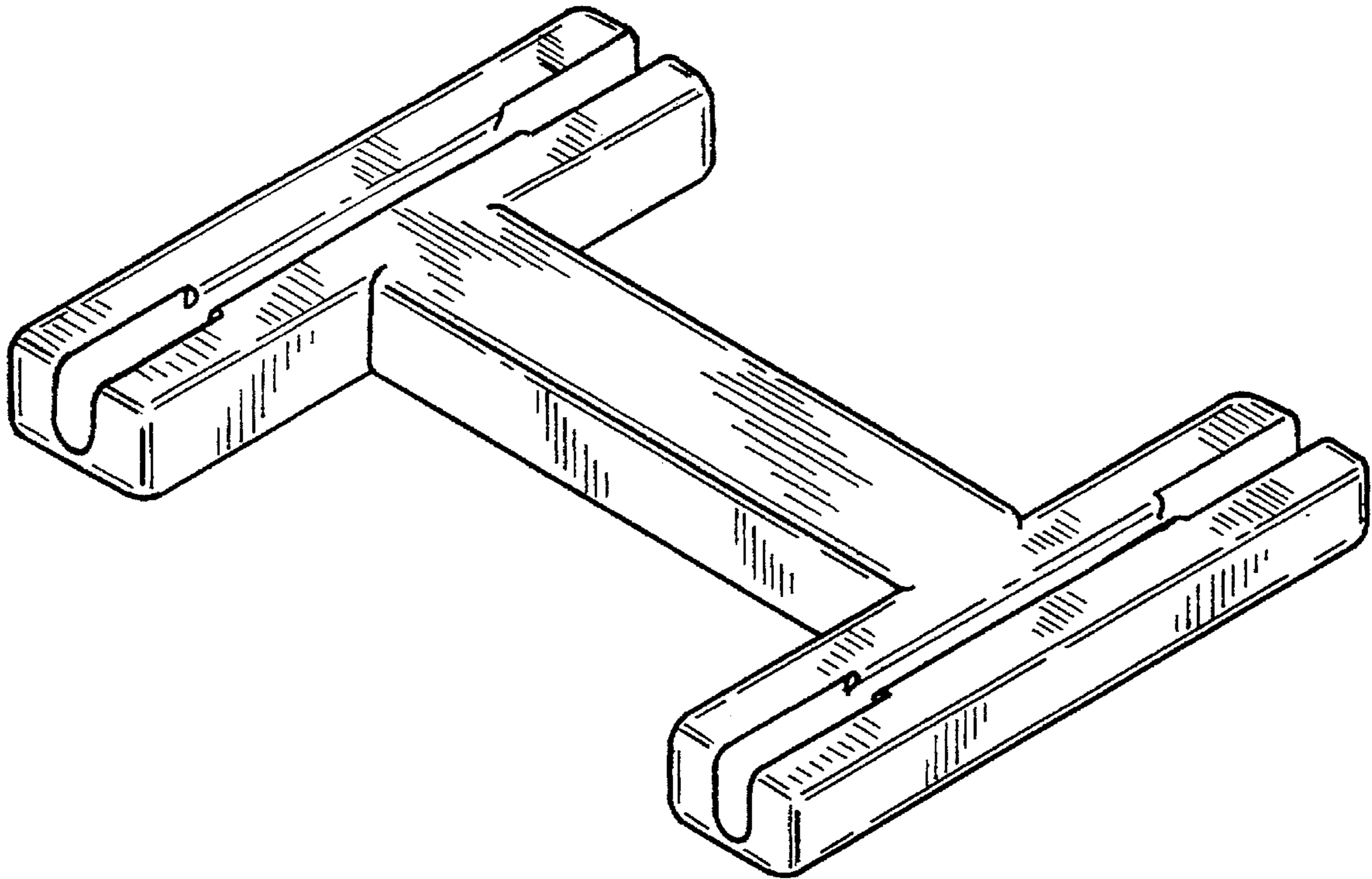
[57] CLAIM

The ornamental design for an H-connector for a toy construction system, as shown and described.

DESCRIPTION

FIG. 1 is a top, front perspective view of the H-connector, showing our new design;
 FIG. 2 is a bottom, front perspective view thereof;
 FIG. 3 is a top plan view thereof;
 FIG. 4 is a bottom plan view thereof;
 FIG. 5 is a side view thereof, the side opposite being identical;
 FIG. 6 is an end view thereof, the side opposite being identical; and,
 FIG. 7 is a perspective view of a building block utilizing four H-connectors of a toy construction system, the broken line showing of the block and three connectors is for illustrative purposes only and forms no part of the claimed design.

1 Claim, 1 Drawing Sheet



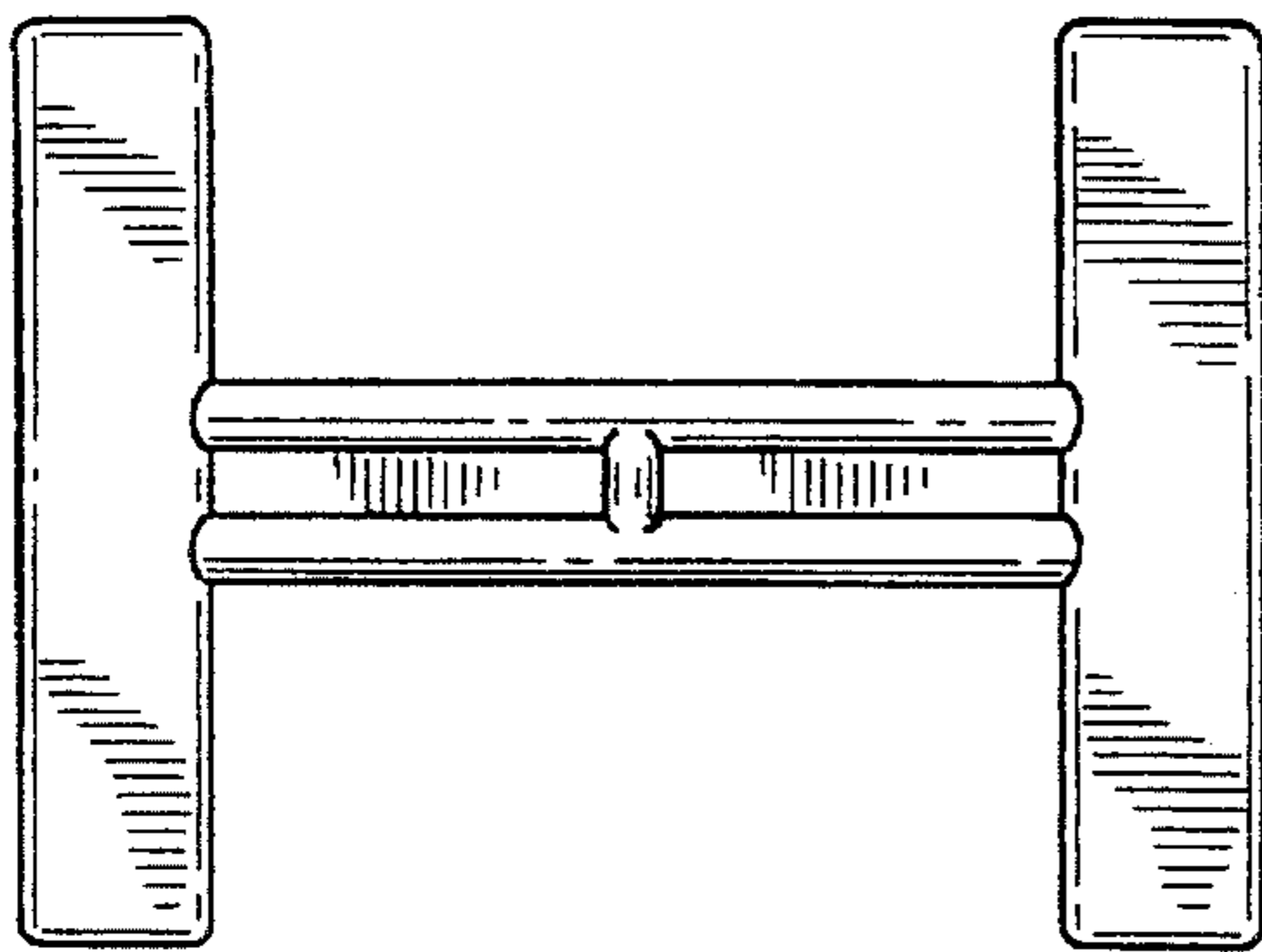
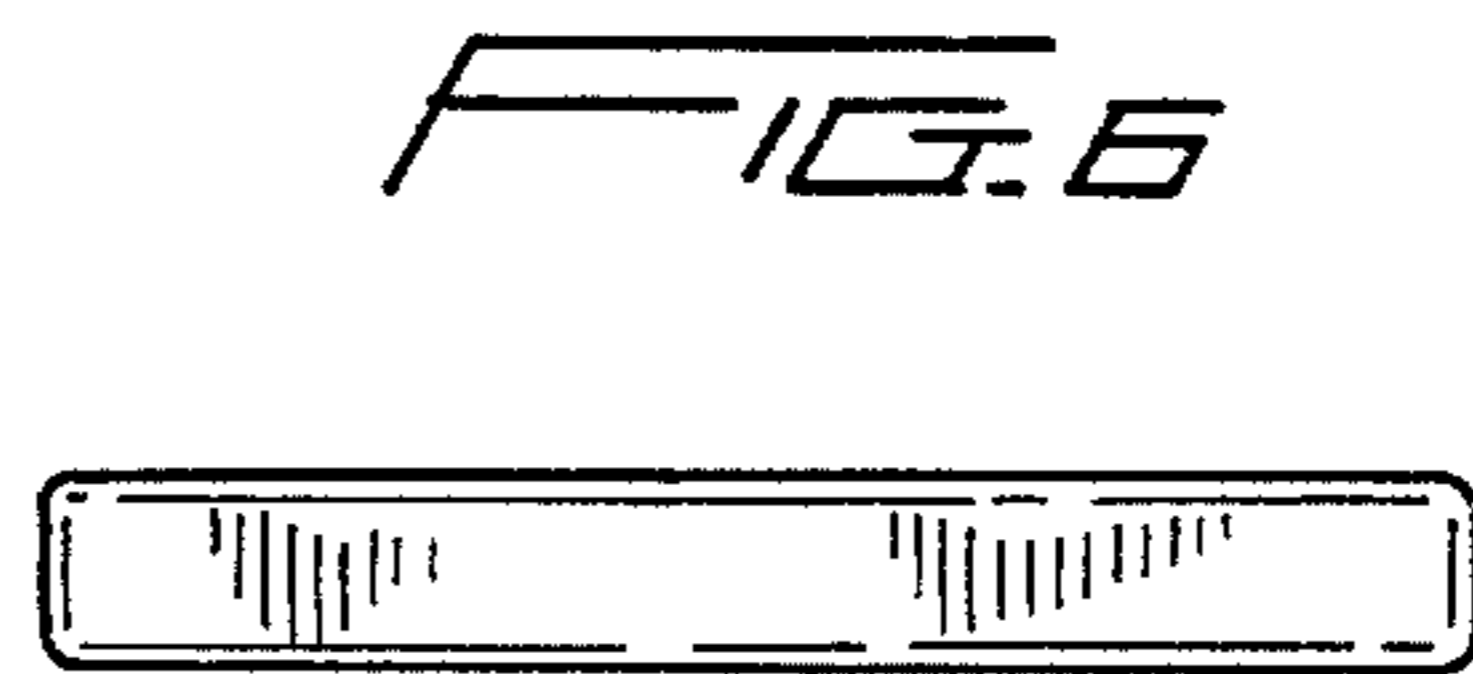
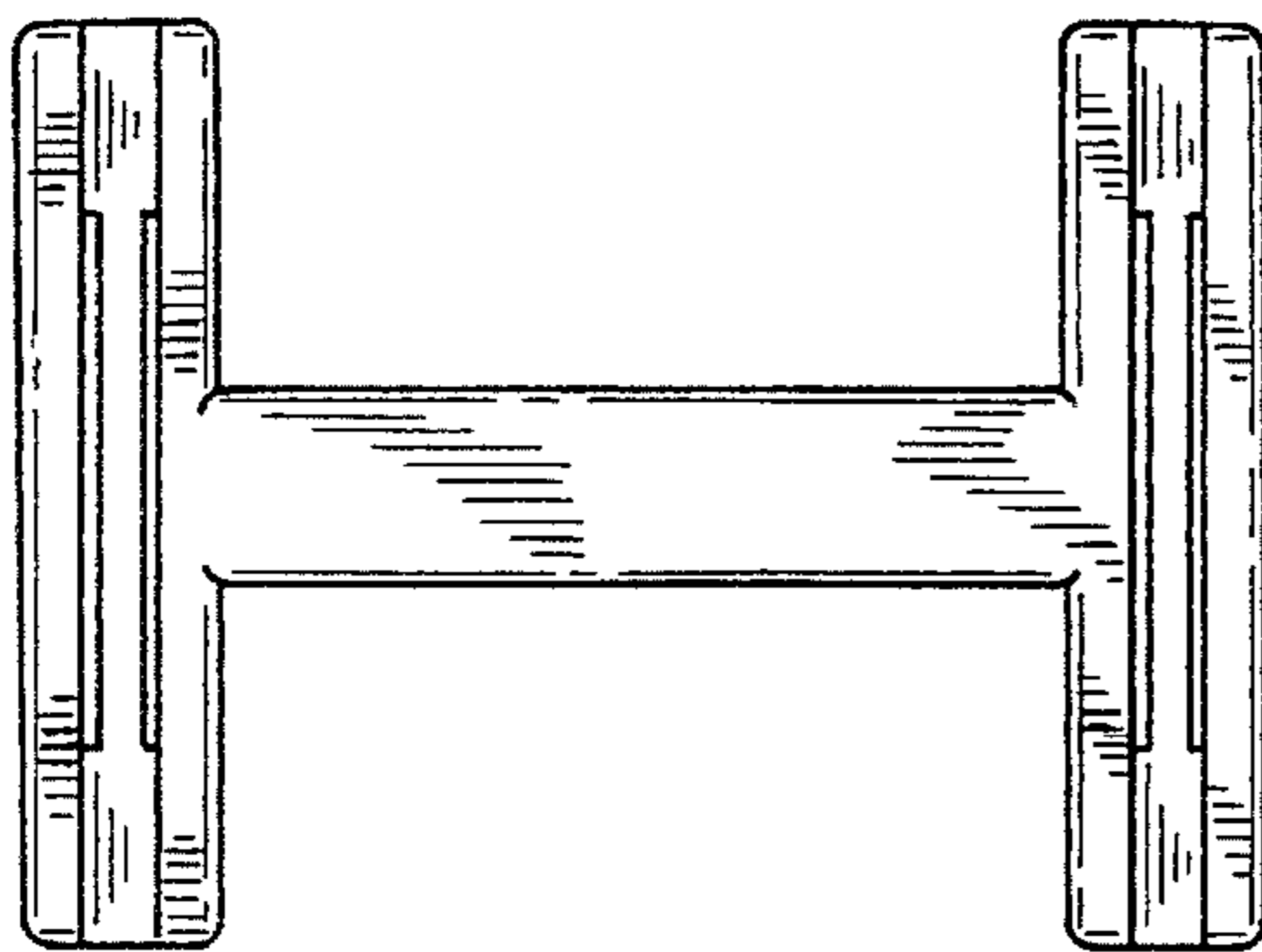
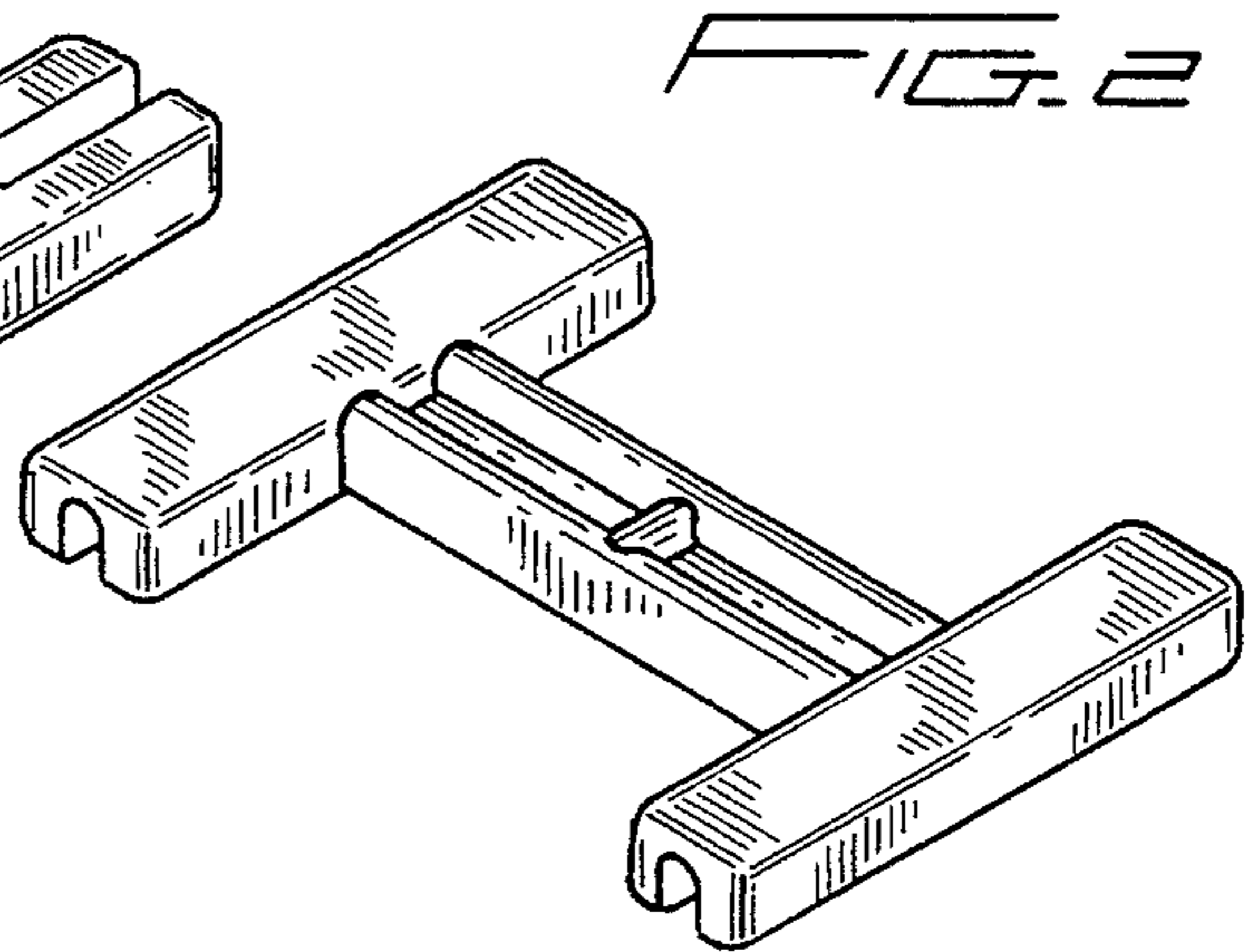
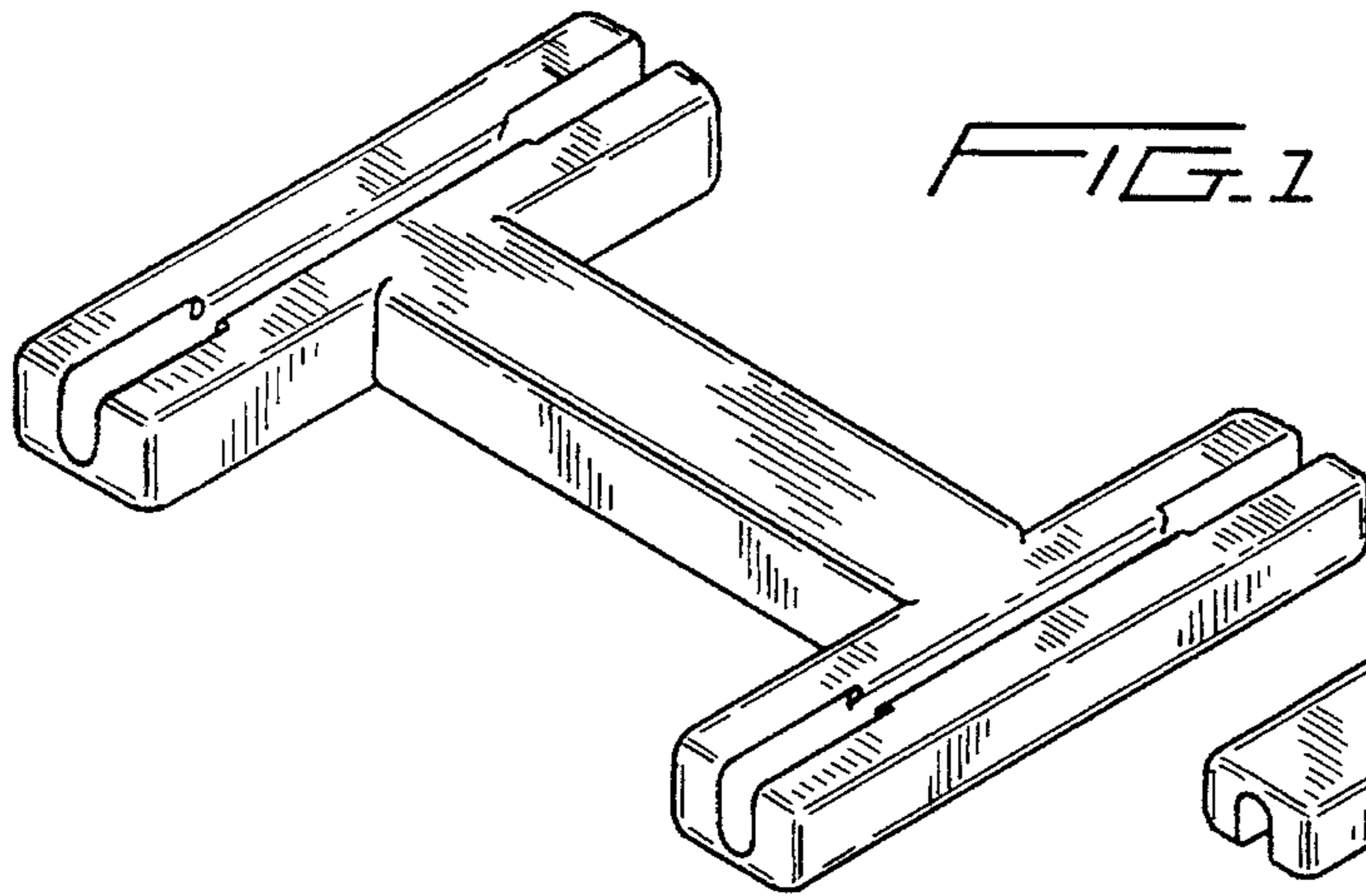


FIG. 7

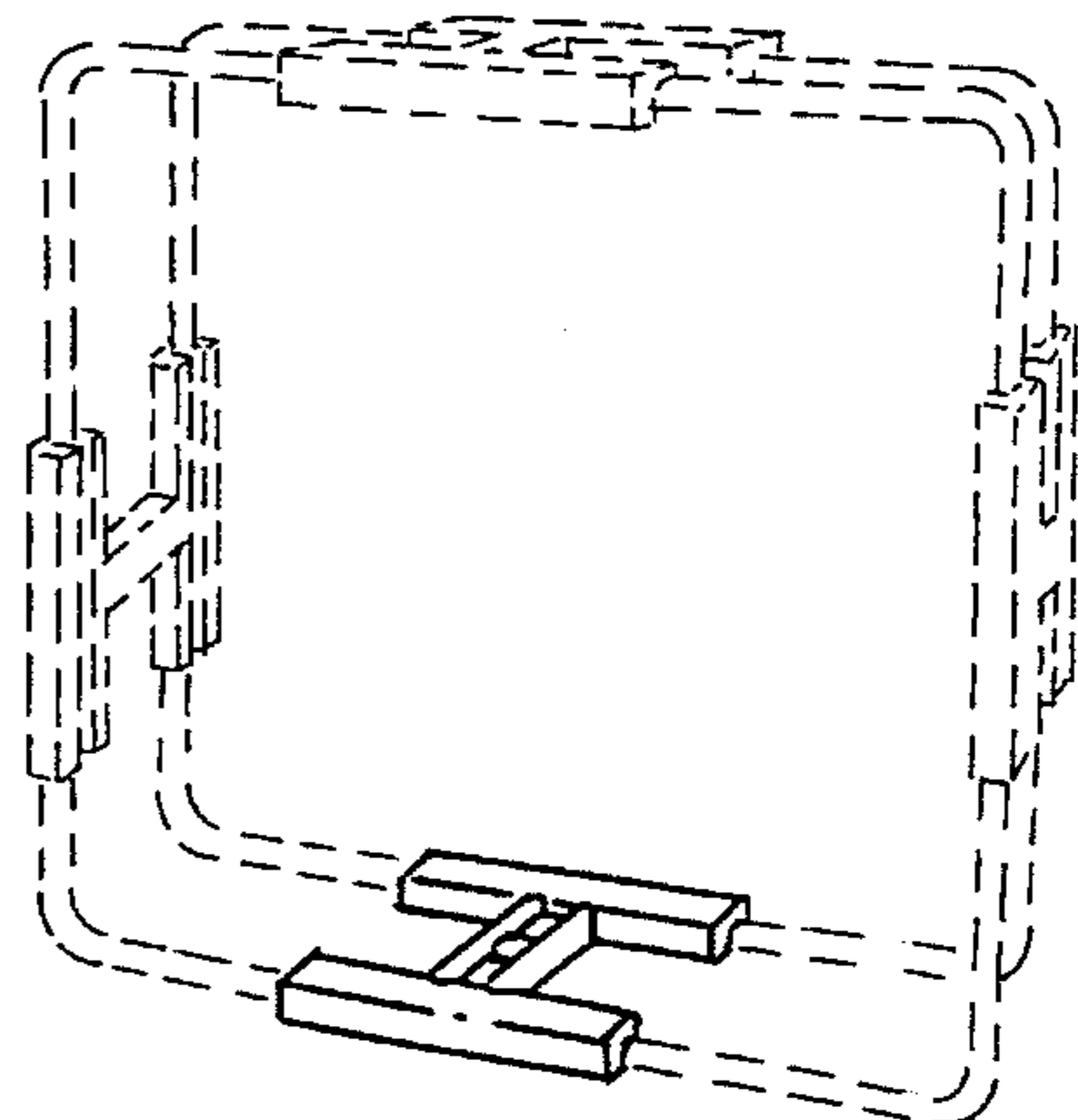
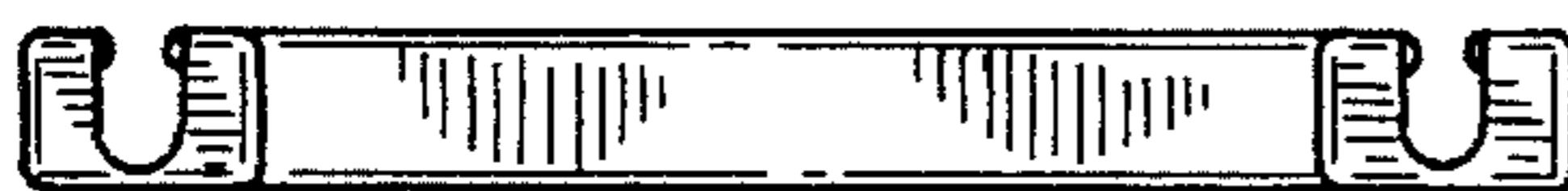


FIG. 5