



US00D367083S

United States Patent [19]
Suknaic

[11] **Patent Number: Des. 367,083**

[45] **Date of Patent: **Feb. 13, 1996**

[54] **NOVELTY PUSH-TOY**

4,573,936 3/1986 Wolf .

[76] Inventor: **John J. Suknaic**, 6548 Baywood Dr.,
Harrisburg, Pa. 17111

FOREIGN PATENT DOCUMENTS

0478022 1/1938 United Kingdom 446/269

[**] Term: **14 Years**

Primary Examiner—Dominic Simone
Attorney, Agent, or Firm—David L. Baker; Rhodes &
Ascolillo

[21] Appl. No.: **36,471**

[22] Filed: **Mar. 21, 1995**

[57] **CLAIM**

[52] **U.S. Cl.** **D21/59; D21/160**

[58] **Field of Search** **D21/59, 160; 446/269,**
446/279, 285, 411, 450, 451, 431

The ornamental design for a novelty push-toy, as shown and
described.

DESCRIPTION

[56] **References Cited**

U.S. PATENT DOCUMENTS

D. 160,644	10/1950	Marsh	446/285
D. 303,685	9/1989	Vafiadis	D21/59
D. 349,309	8/1994	Thornell	D21/59
D. 350,711	9/1994	Olson	D21/160 X
414,265	11/1889	Teichmann	446/269
3,623,264	8/1970	Sapienza	.	
3,940,881	3/1976	Drucker	.	
4,016,675	4/1977	Drucker	.	
4,291,489	9/1981	McCarthy, Jr.	.	

FIG. 1 is a perspective view of a novelty push-toy showing
my new design;

FIG. 2 is a reduced left side elevational view thereof;

FIG. 3 is a reduced front elevational view thereof;

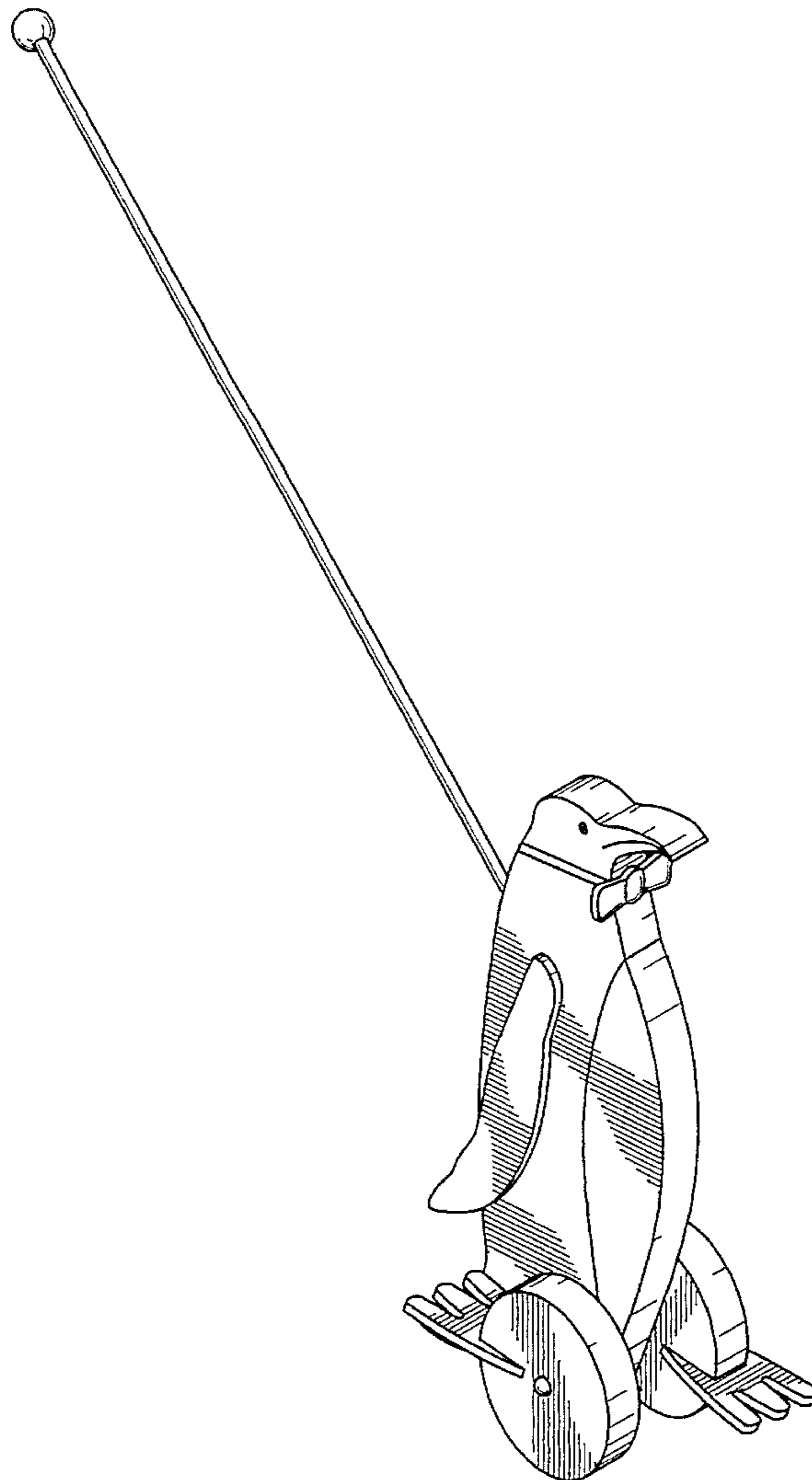
FIG. 4 is a reduced bottom plan view thereof;

FIG. 5 is a reduced right side elevational view thereof;

FIG. 6 is a reduced rear elevational view thereof; and,

FIG. 7 is a reduced top plan view thereof.

1 Claim, 3 Drawing Sheets



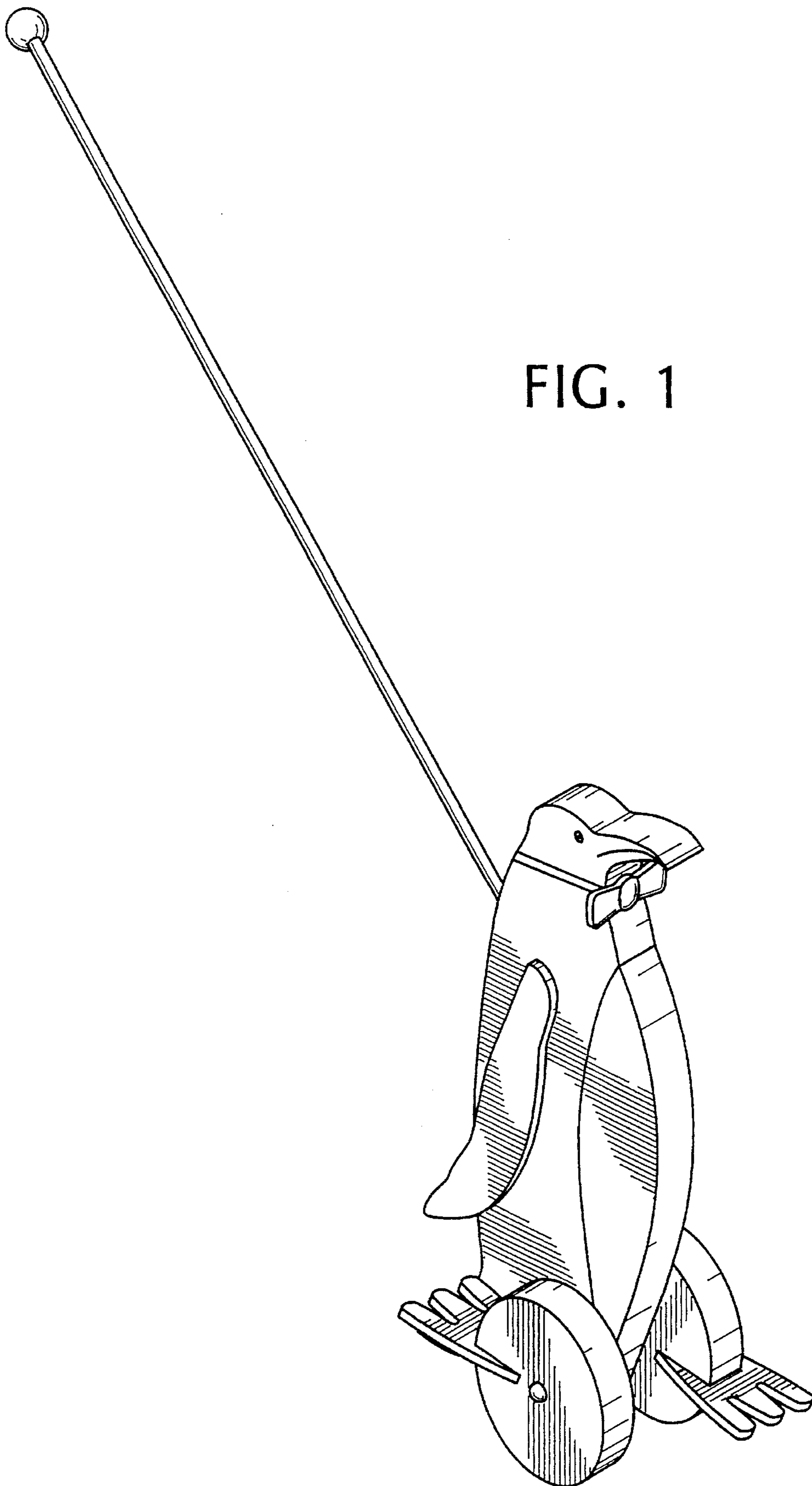


FIG. 1

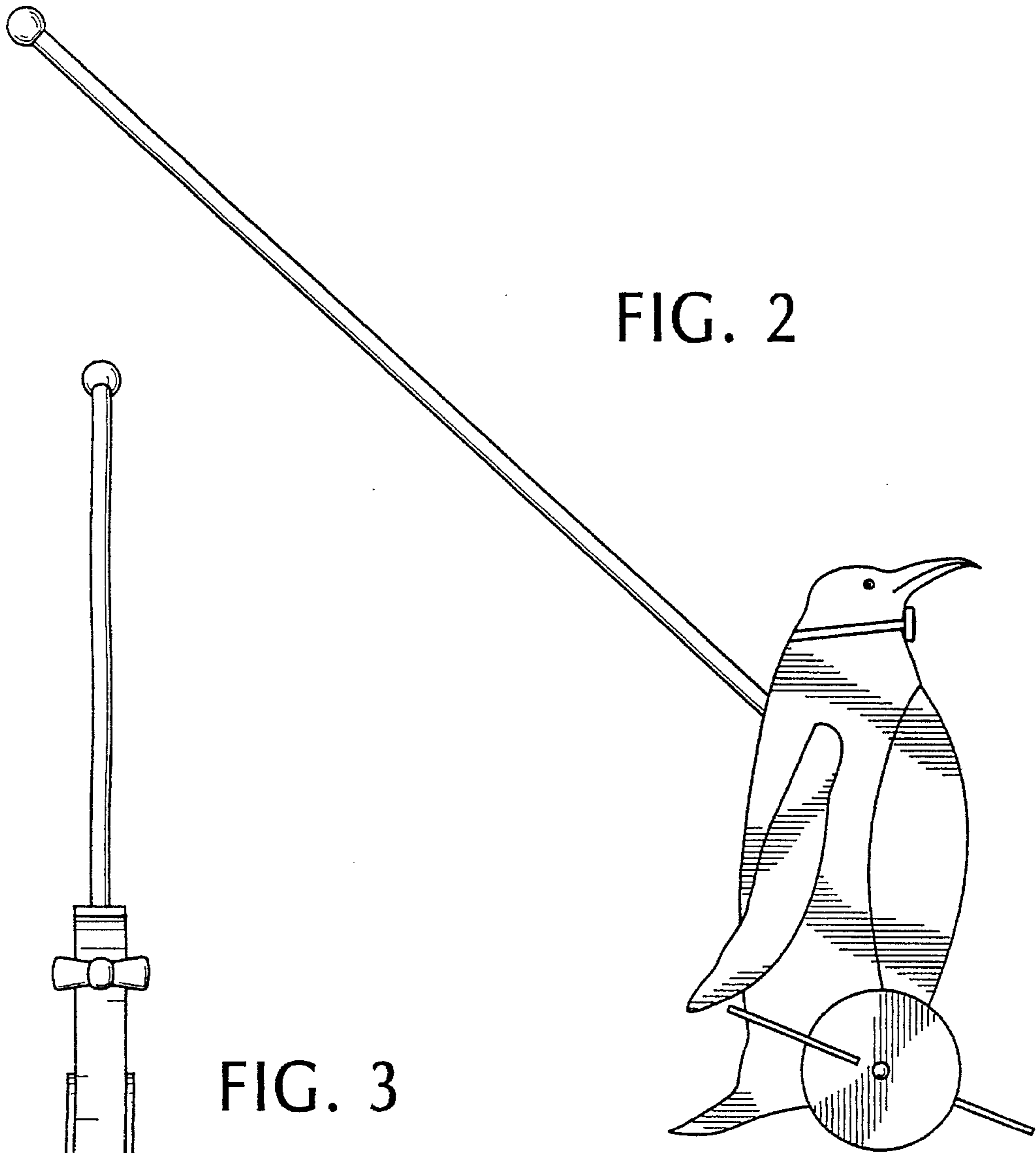


FIG. 2

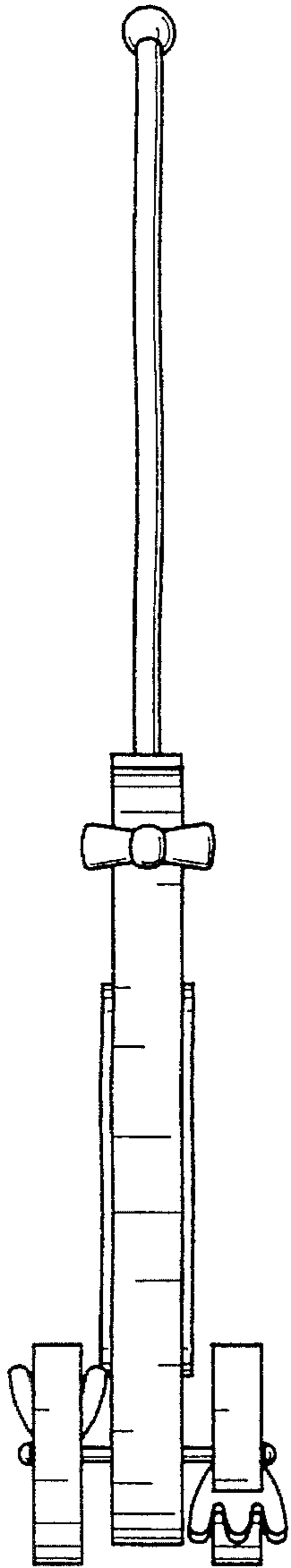


FIG. 3

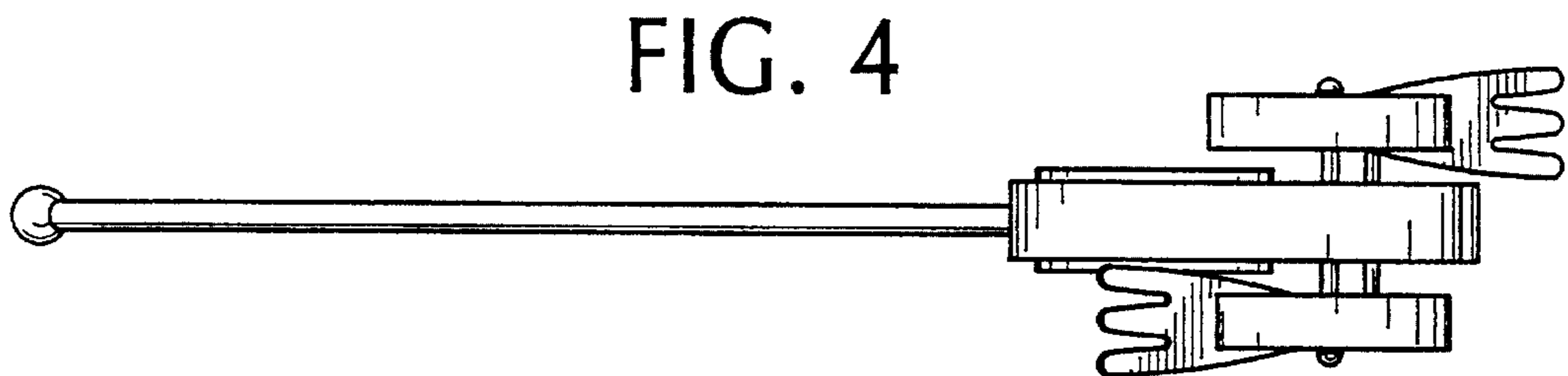


FIG. 4

FIG. 5

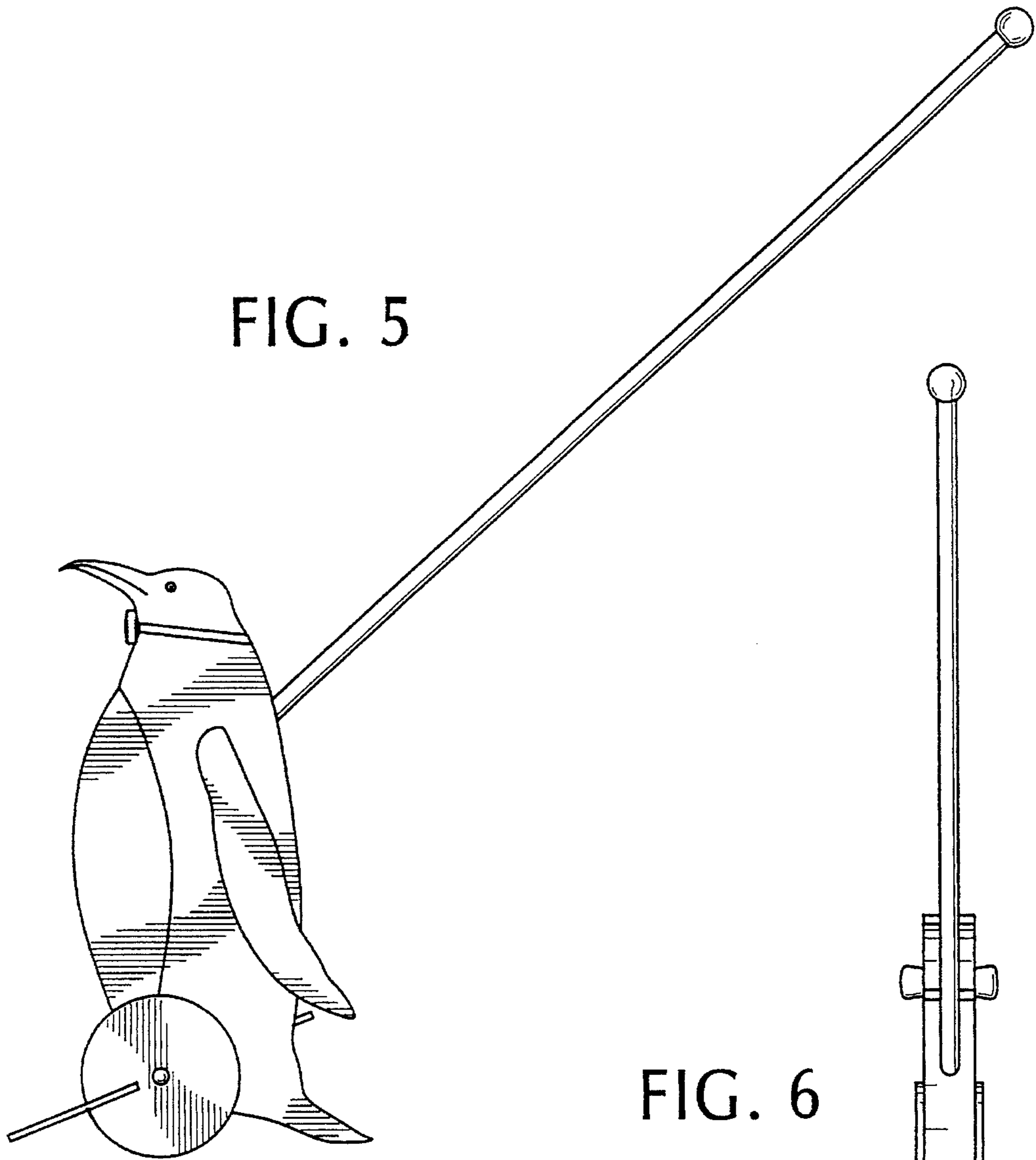


FIG. 6

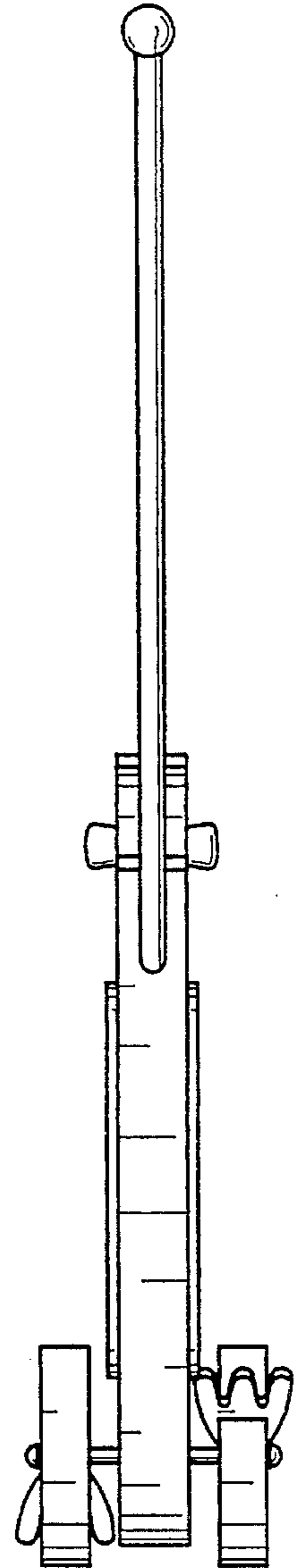


FIG. 7

