



US00D367081S

# United States Patent [19]

[11] Patent Number: **Des. 367,081**

Leveridge

[45] Date of Patent: **\*\*Feb. 13, 1996**

[54] **COMPACT DISC INTERACTIVE PLAYER**

D. 333,686	3/1993	Barr et al. ....	D21/48
D. 349,519	8/1994	Tanaka .....	D21/13
D. 349,520	8/1994	Iwakami .....	D21/48
D. 356,835	3/1995	Kaminski et al. ....	D21/48
5,390,937	2/1995	Sakaguchi et al. ....	273/434

[75] Inventor: **Philip Leveridge**, Eindhoven, Netherlands

[73] Assignee: **U.S. Philips Corporation**, New York, N.Y.

*Primary Examiner*—Sandra L. Morris  
*Attorney, Agent, or Firm*—Jack E. Haken

[\*\*] Term: **14 Years**

[57] **CLAIM**

[21] Appl. No.: **28,205**

The ornamental design for a compact disc interactive player, as shown.

[22] Filed: **Sep. 9, 1994**

**DESCRIPTION**

[30] **Foreign Application Priority Data**

FIG. 1 is a front, top, right side, perspective view of a compact disc interactive player, showing my new design; FIG. 2 is a front elevational view thereof; FIG. 3 is a rear elevational view thereof; FIG. 4 is a right side elevational view thereof; FIG. 5 is a left side elevational view thereof; FIG. 6 is a top plan view thereof; and, FIG. 7 is a bottom plan view thereof.

Mar. 30, 1994 [CH] Switzerland ..... DM/029 181

[52] **U.S. Cl.** ..... **D21/48**

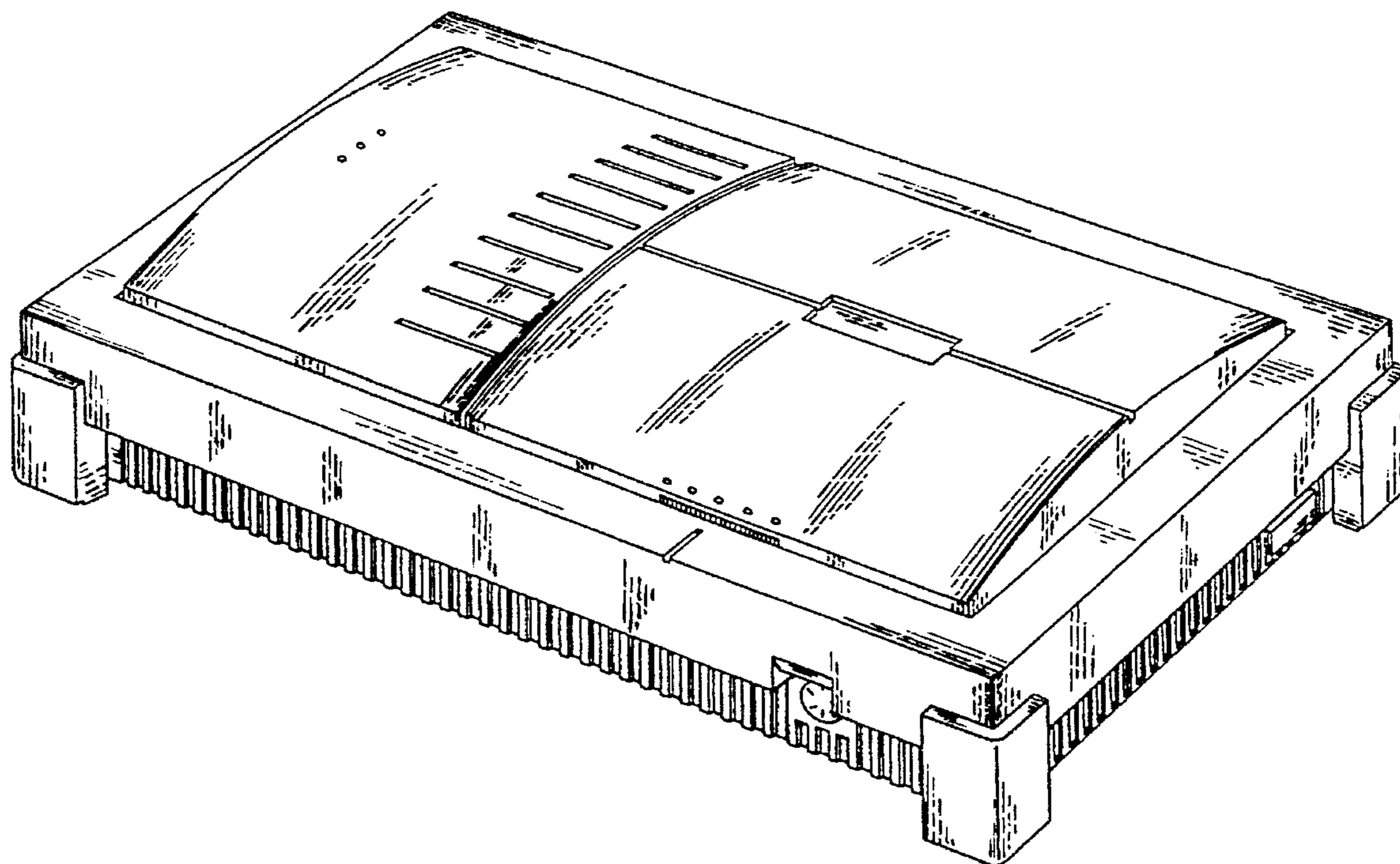
[58] **Field of Search** ..... D14/156, 168; D21/13, 48; 273/433-437, DIG. 28, 148 B

[56] **References Cited**

**U.S. PATENT DOCUMENTS**

D. 321,195	10/1991	Hayashi .....	D14/168
D. 324,548	3/1992	Ashida .....	D21/13

**1 Claim, 4 Drawing Sheets**



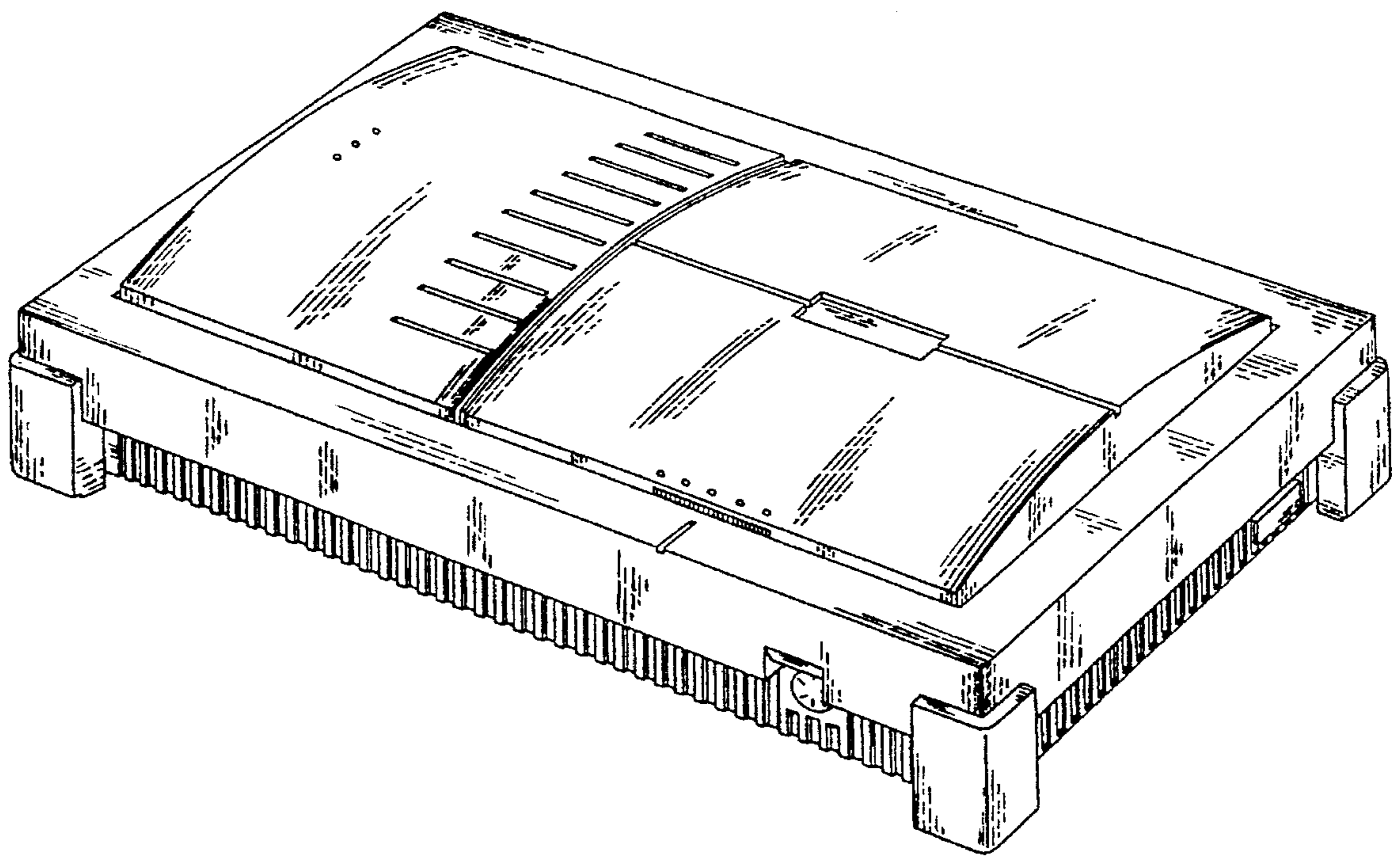


FIG. 1

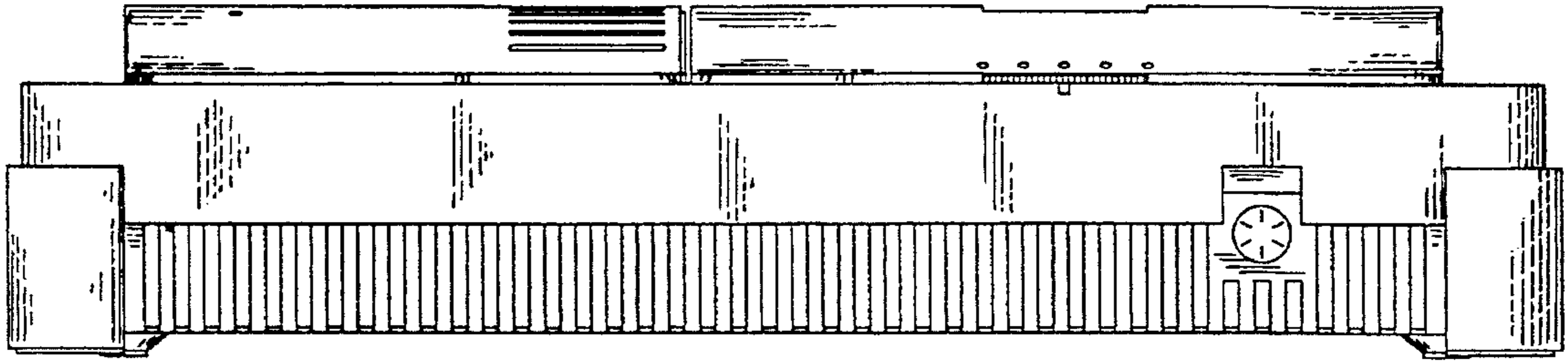


FIG. 2

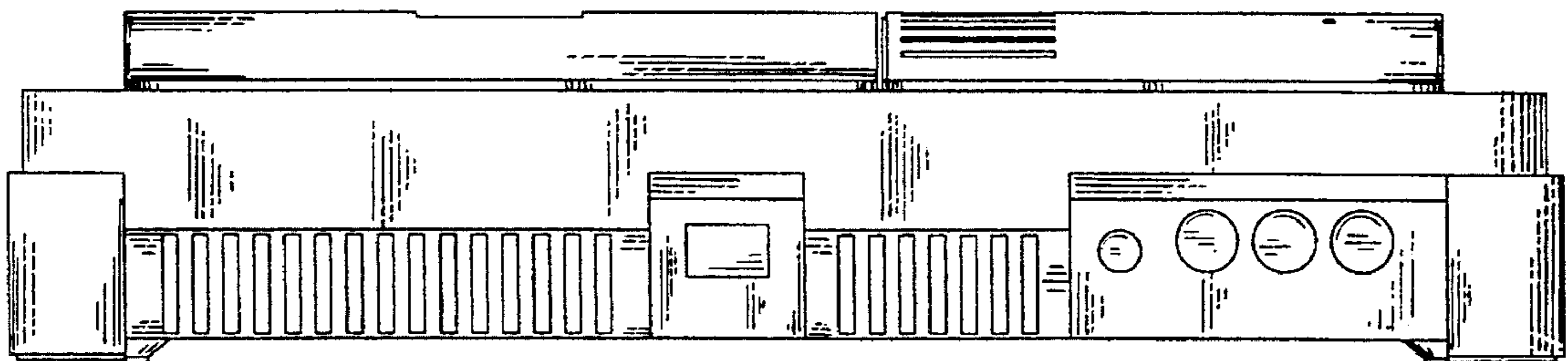


FIG. 3

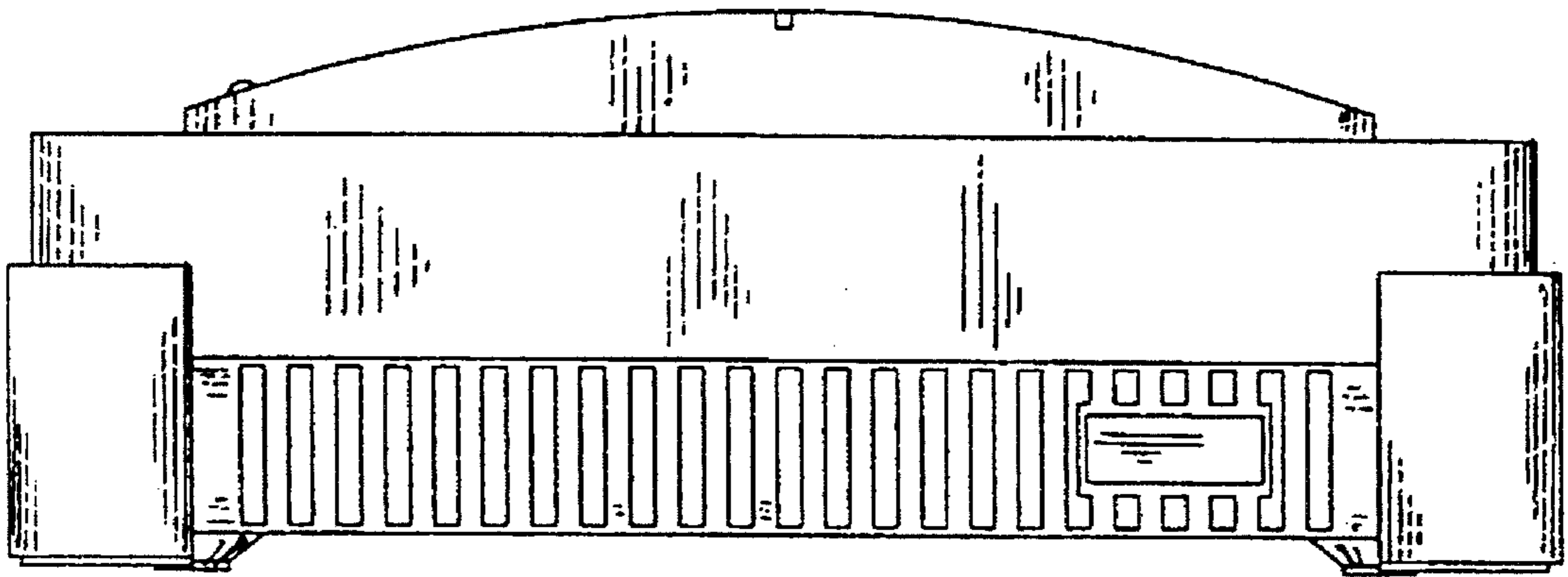


FIG. 4

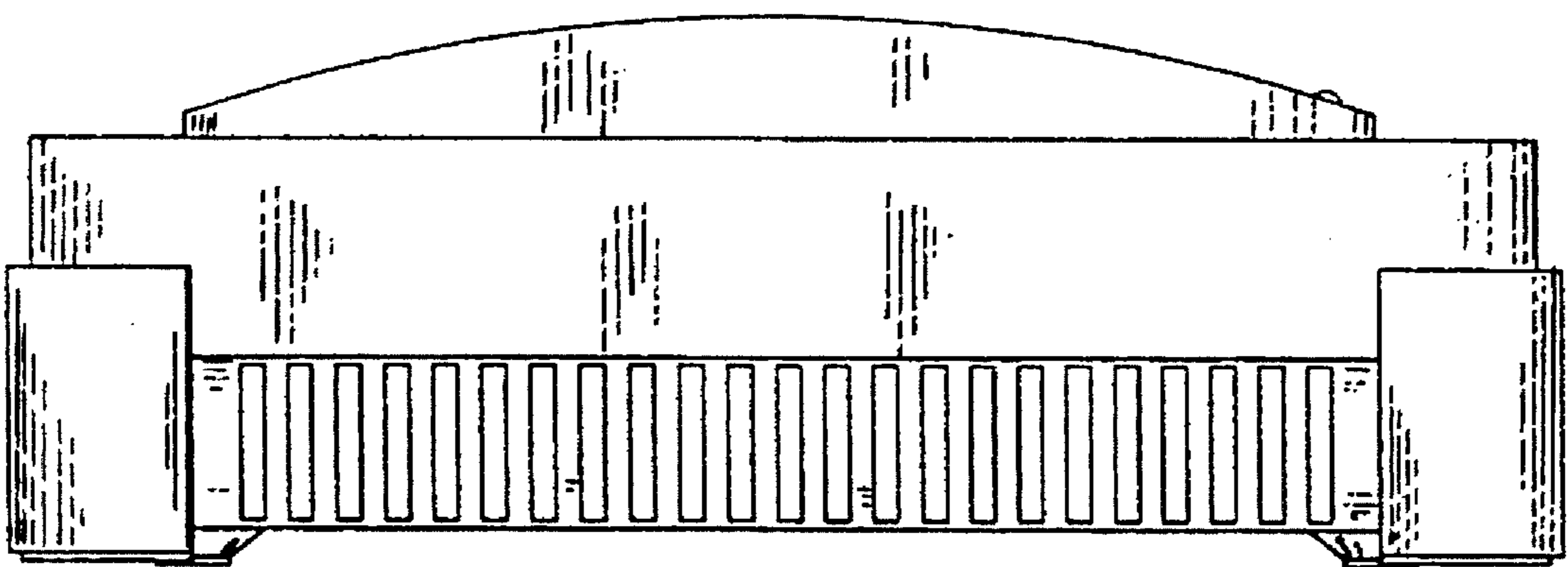


FIG. 5

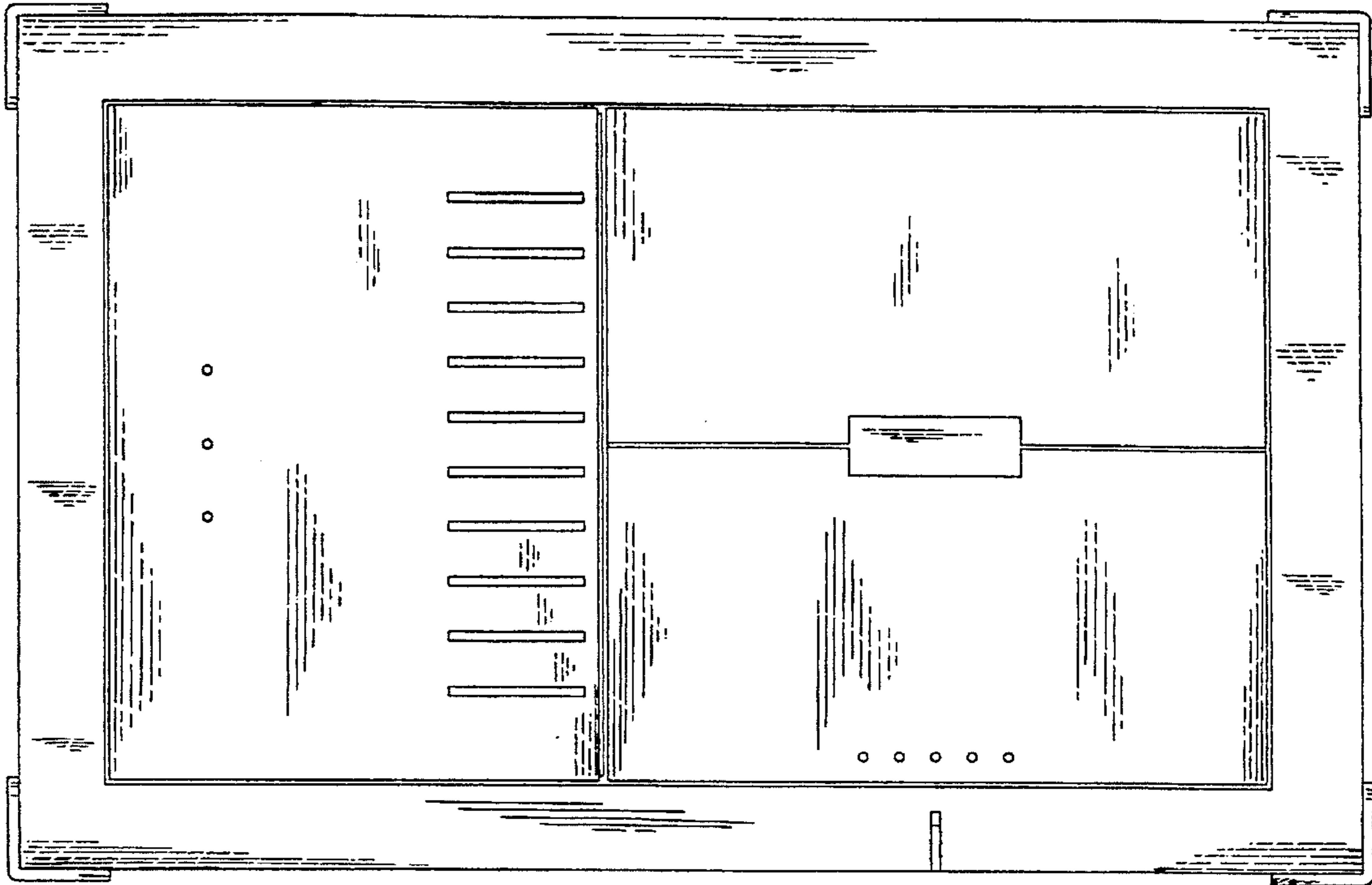


FIG. 6

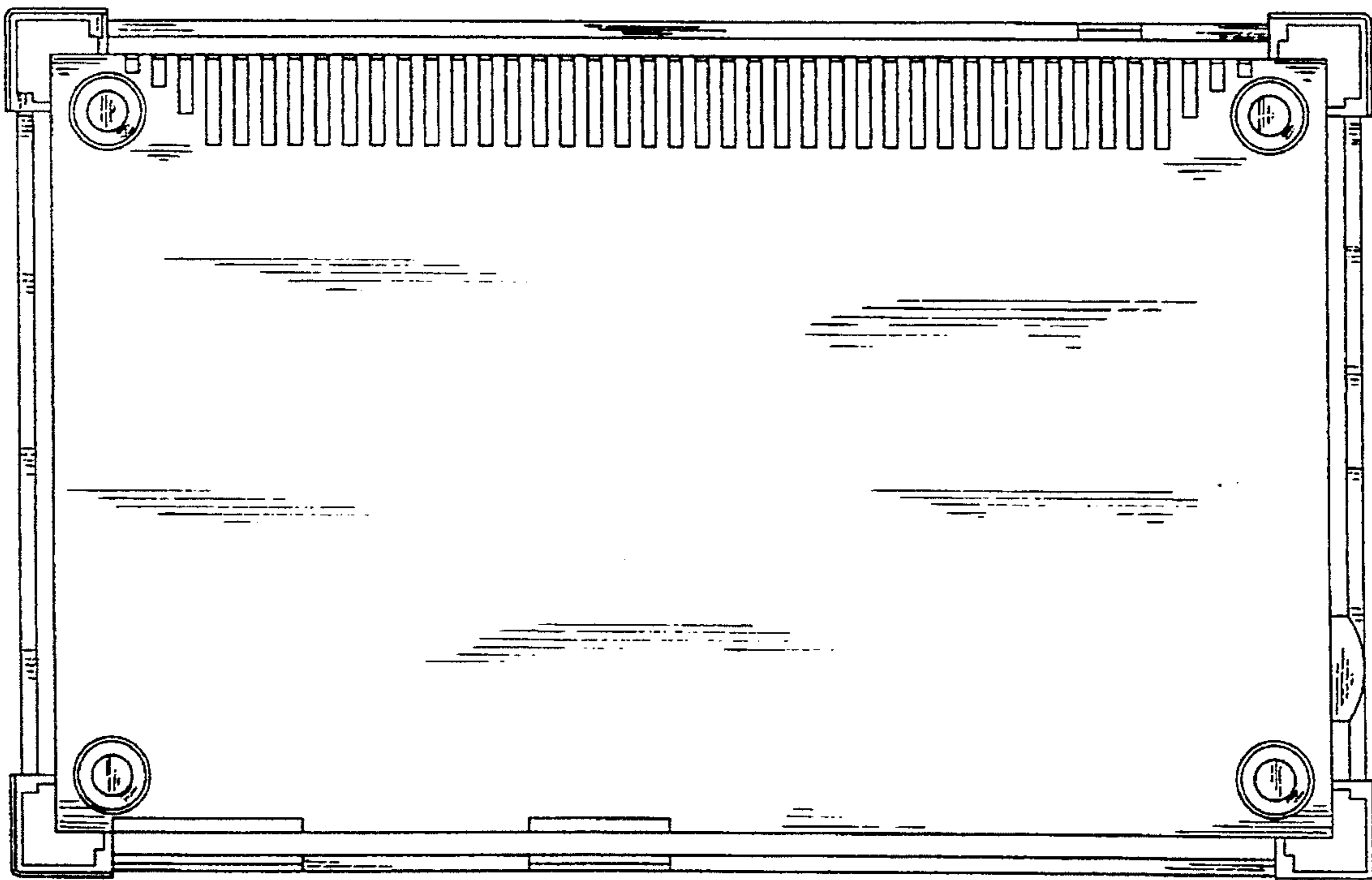


FIG. 7