



US00D367075S

United States Patent [19]

Tremlett

[11] Patent Number: **Des. 367,075**

[45] Date of Patent: ****Feb. 13, 1996**

[54] PORTABLE PRINTER FOR ADHESIVE BACKED LABELS

[75] Inventor: **Jonathan Tremlett**, London, United Kingdom

[73] Assignee: **Esselte Dyno N.V.**, St. Niklaas, Belgium

[**] Term: **14 Years**

[21] Appl. No.: **26,144**

[22] Filed: **Jul. 20, 1994**

[30] Foreign Application Priority Data

May 25, 1994 [GB] United Kingdom 2039269

[52] U.S. Cl. **D18/52**; D18/19; D18/14

[58] Field of Search D14/106; D18/50, D18/51-52, 54-55, 19; 400/690.1-690.4, 613, 613.1-613.4, 690-694, 88; 101/93.4, 269, 91; 347/222, 245, 264, 170, 108; D19/60

[56] References Cited

U.S. PATENT DOCUMENTS

D. 298,624	11/1988	Shiozawa et al.	18/52
D. 332,462	1/1993	Takahashi	D18/19
D. 335,653	5/1993	Rak	D18/52
D. 336,441	6/1993	Meyer	D18/52
D. 337,780	7/1993	Thom	D18/52
D. 344,752	3/1994	Watanabe et al.	D18/52
D. 344,753	1/1994	Watanabe et al.	D18/50
D. 350,764	9/1994	Gray et al.	D18/52
D. 354,742	1/1995	Hamilton	D19/60
D. 355,898	2/1995	Verderame	D19/60
5,150,130	9/1992	Sato	400/690.4

FOREIGN PATENT DOCUMENTS

4022654 1/1992 Japan 400/615.2

OTHER PUBLICATIONS

Casio Label Writer KL-2000 brochure; 1992.
 Casio Nameland KL-500 brochure; ©Dec. 1993.
 Casio Nameland KL-5000 brochure; published Nov. 1993.
 King Jim Co., Ltd., brochure for "Tepra Pro" —SR606; Nov. 1992.
 Best Catalog; Oct. '89; p. 11; Franklin WM1000 Word-Master Electronic Thesaurus spelling corrector.
 Bennett Brothers, Inc. Catalog; p. 401; Franklin Language Master LM4000 Electronic dictionary.
 King Jim brochure for Tepra TR66 label printer; May 1992.

Primary Examiner—Cathy Anne MacCormac
Attorney, Agent, or Firm—Pennie & Edmonds

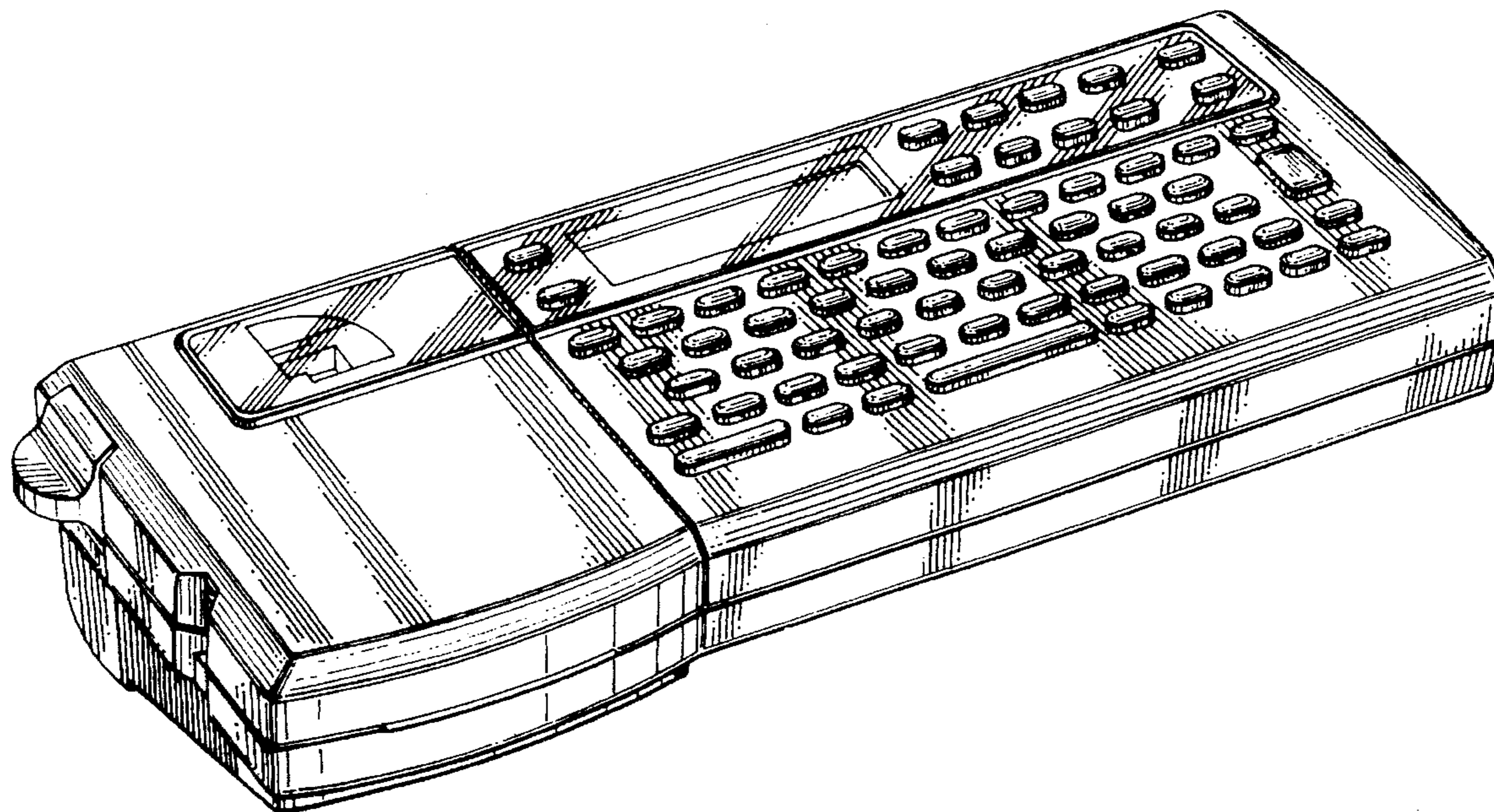
[57] CLAIM

The ornamental portable printer for adhesive backed labels, as shown and described.

DESCRIPTION

FIG. 1 is a perspective view taken from the top, front and left side of a portable printer for adhesive backed labels showing my new design;
 FIG. 2 is a rear elevational view thereof;
 FIG. 3 is a perspective view taken from the bottom, front and right side thereof;
 FIG. 4 is a left side elevational view thereof;
 FIG. 5 is a right side elevational view thereof;
 FIG. 6 is a top plan view thereof; and,
 FIG. 7 is a bottom plan view thereof.

1 Claim, 4 Drawing Sheets



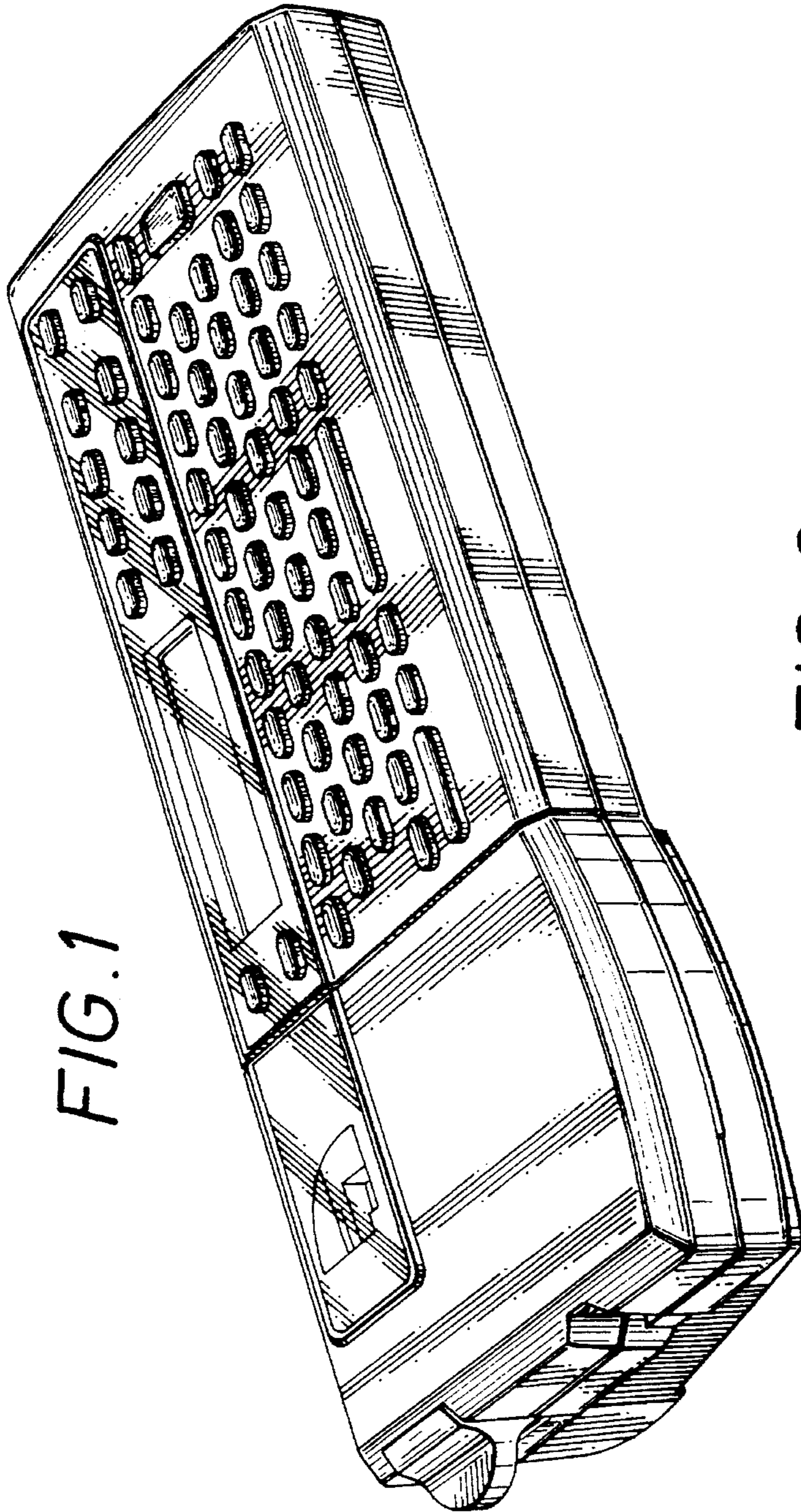


FIG. 1

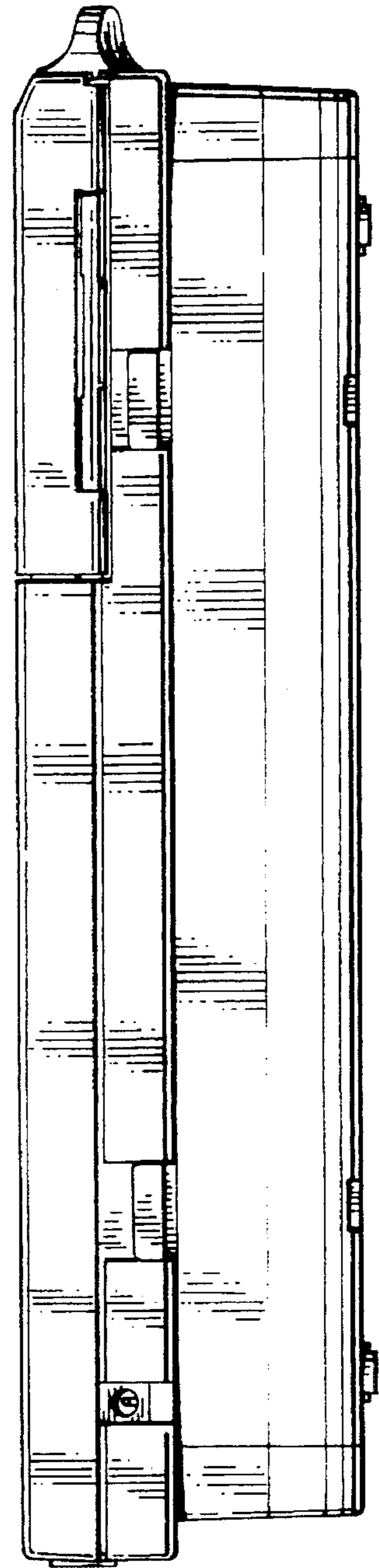


FIG. 2

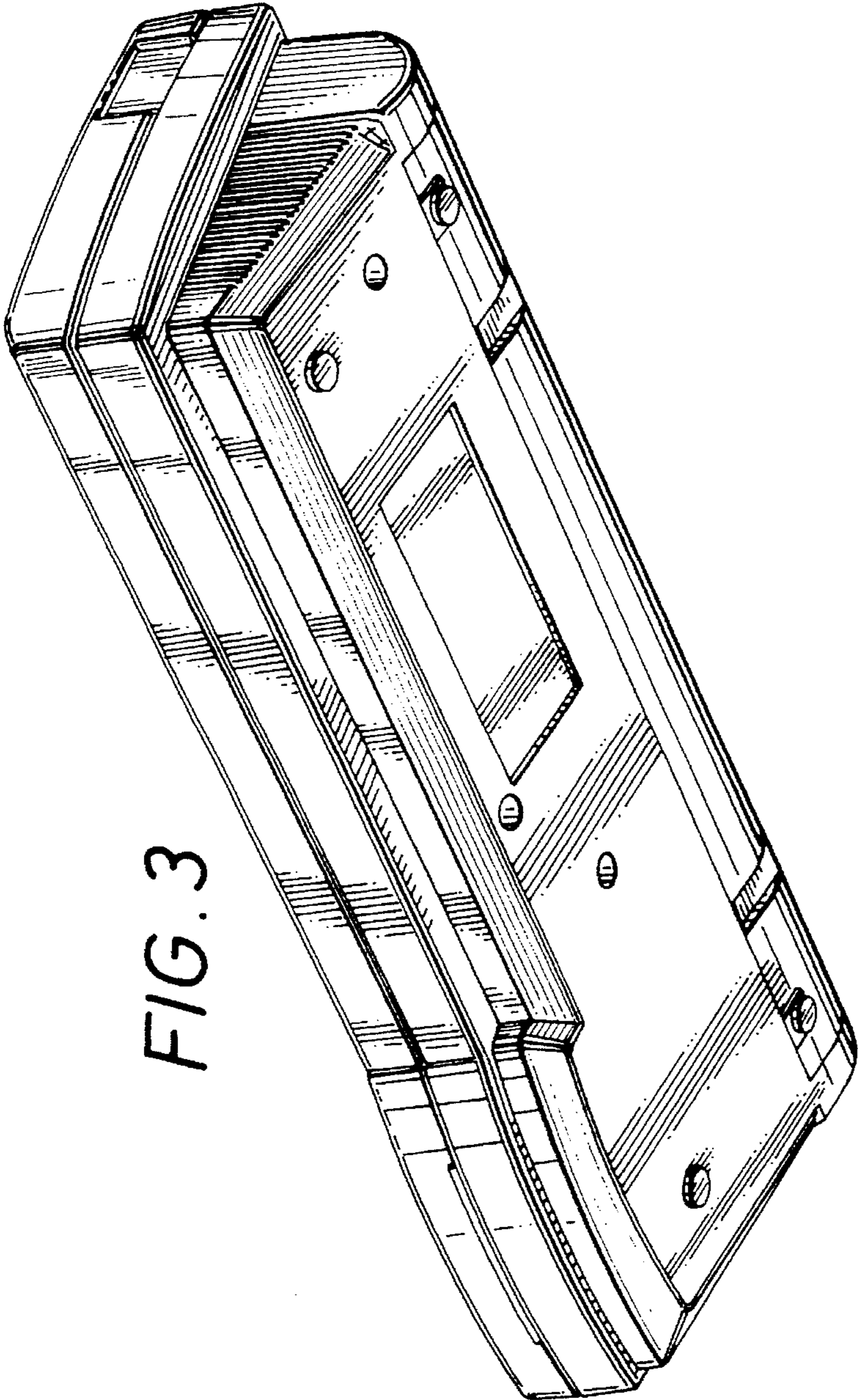


FIG. 3

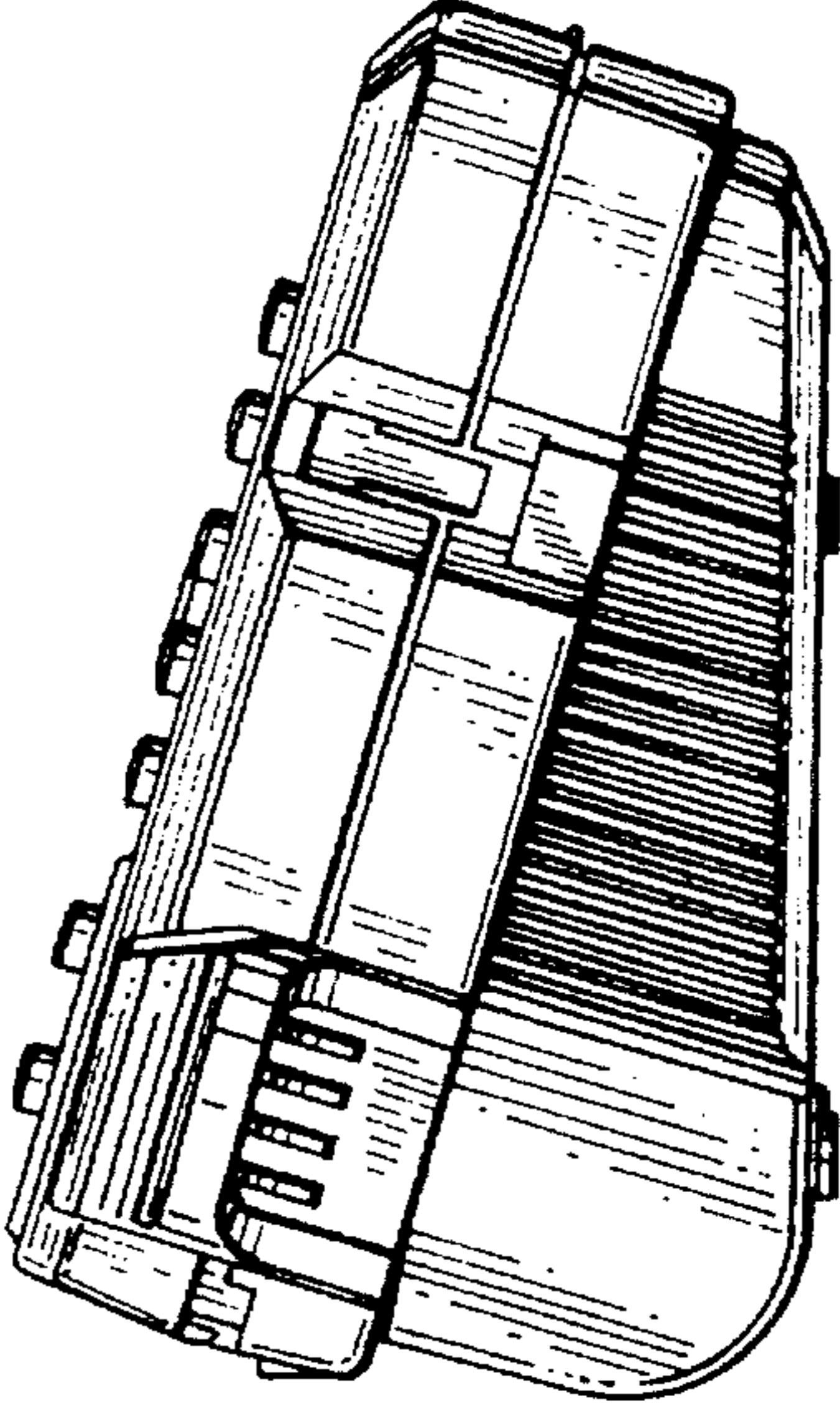


FIG. 4

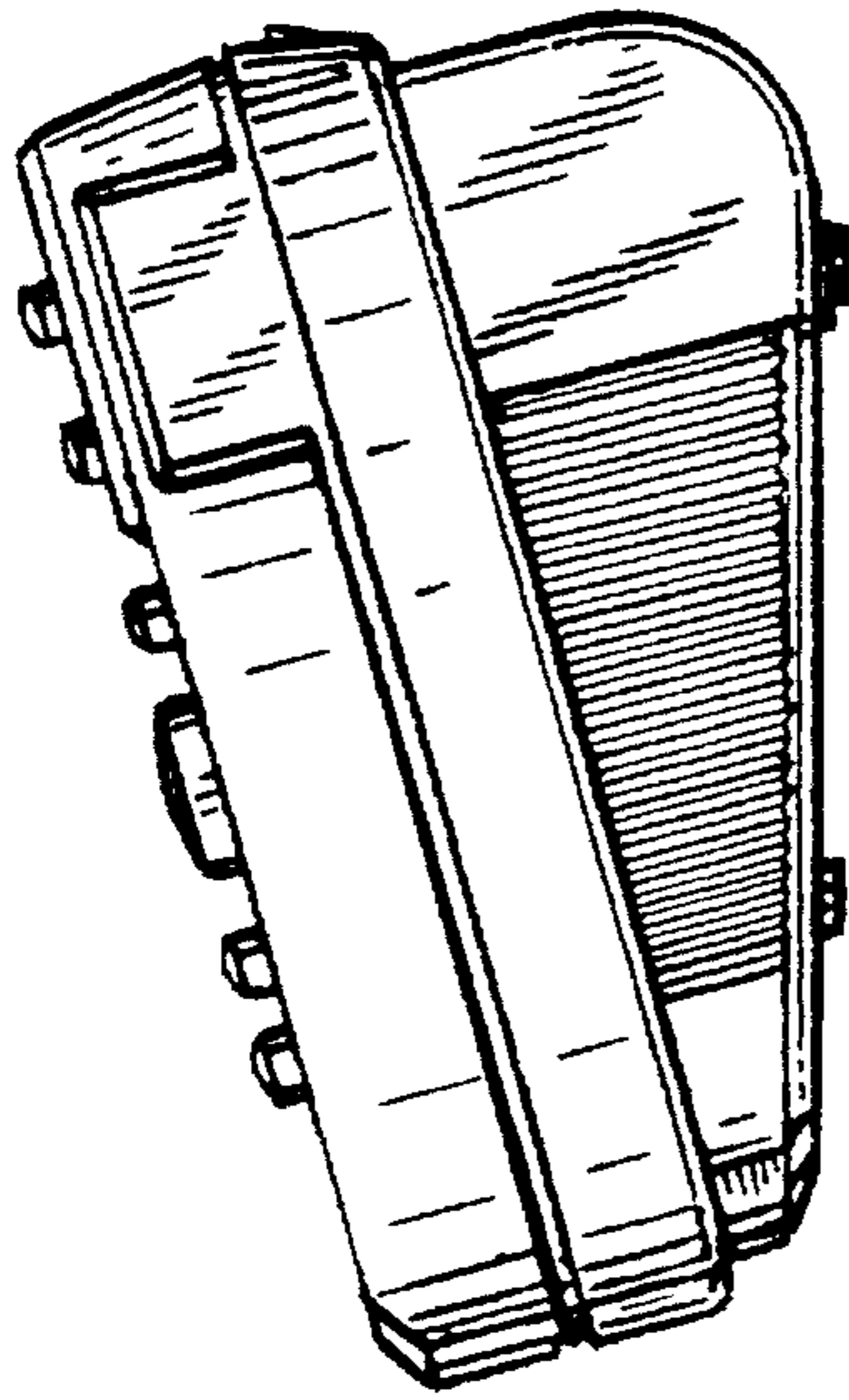


FIG. 5

FIG. 6

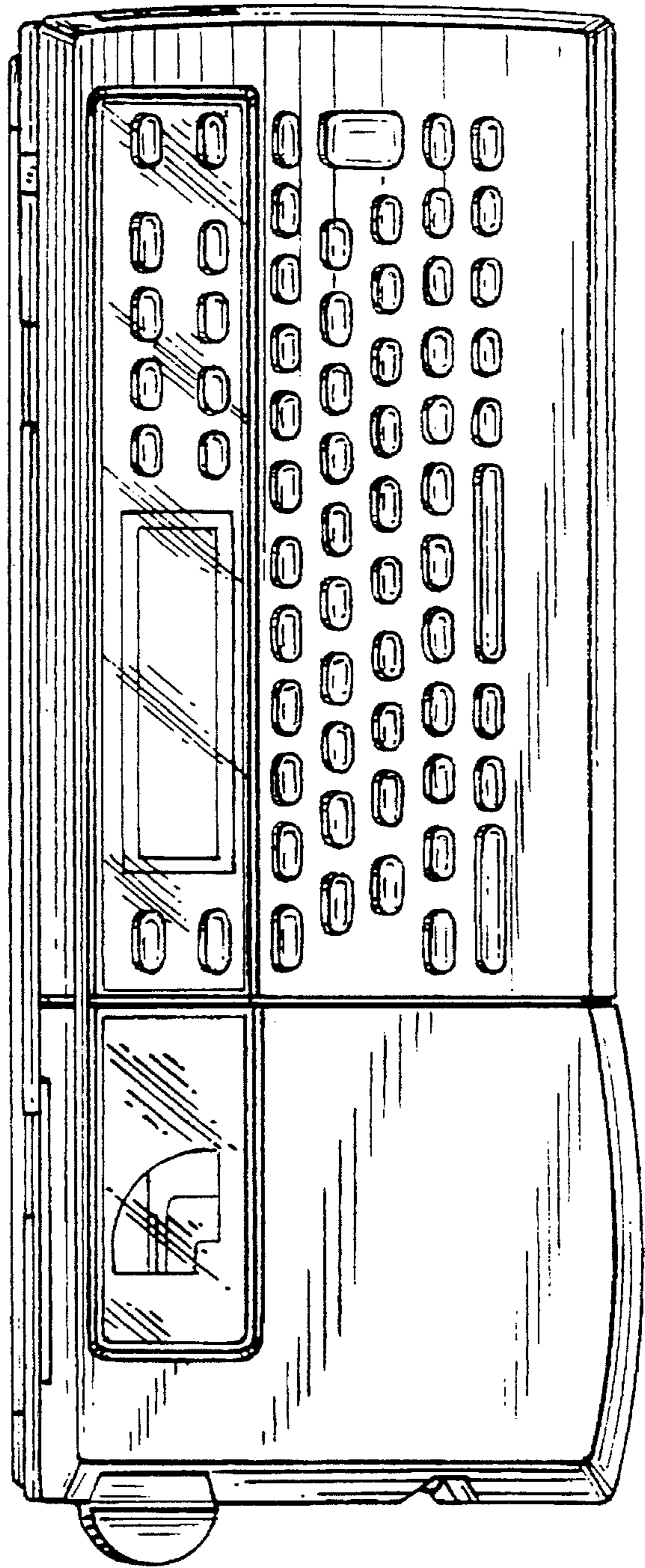


FIG. 7

