



US00D367074S

# United States Patent [19]

Gholson, Jr.

[11] Patent Number: **Des. 367,074**

[45] Date of Patent: **\*\*Feb. 13, 1996**

[54] **CLARINET LIGATURE**

[76] Inventor: **General J. Gholson, Jr.**, 1311 Parkland, Memphis, Tenn. 38111

[\*\*] Term: **14 Years**

[21] Appl. No.: **34,204**

[22] Filed: **Jan. 30, 1995**

[52] U.S. Cl. .... **D17/13; 84/383 R**

[58] Field of Search ..... **D17/20, 99, 10, D17/13; 84/383 R, 453**

### [56] References Cited

#### U.S. PATENT DOCUMENTS

D. 262,035	11/1981	Wittman .....	D17/10
D. 277,967	3/1985	Gholson, Jr. ....	D17/13
1,506,364	8/1924	Chiron et al. ....	84/383 R
1,629,932	5/1927	Simpson .....	84/383 R
3,433,113	3/1969	Portnoy .....	D17/13
5,000,073	3/1991	Hite .....	84/383 R

#### FOREIGN PATENT DOCUMENTS

3404795	8/1985	Germany .....	84/383 R
---------	--------	---------------	----------

*Primary Examiner*—Prabhakar G. Deshmukh

*Assistant Examiner*—Adir Aronovich

*Attorney, Agent, or Firm*—Walker, McKenzie & Walker

### [57] CLAIM

The ornamental design for a clarinet ligature, as shown and described.

### DESCRIPTION

FIG. 1 is a front elevational view of a clarinet ligature showing my new design, the rear elevational view being a mirror image thereof;

FIG. 2 is a right end elevational view of the clarinet ligature of FIG. 1;

FIG. 3 is a left end elevation of the clarinet ligature of FIG. 1;

FIG. 4 is a top plan view of the clarinet ligature of FIG. 1;

FIG. 5 is a bottom plan view of the clarinet ligature of FIG. 1; and,

FIG. 6 is a sectional view thereof, taken on line 6—6 of FIG. 1.

1 Claim, 1 Drawing Sheet

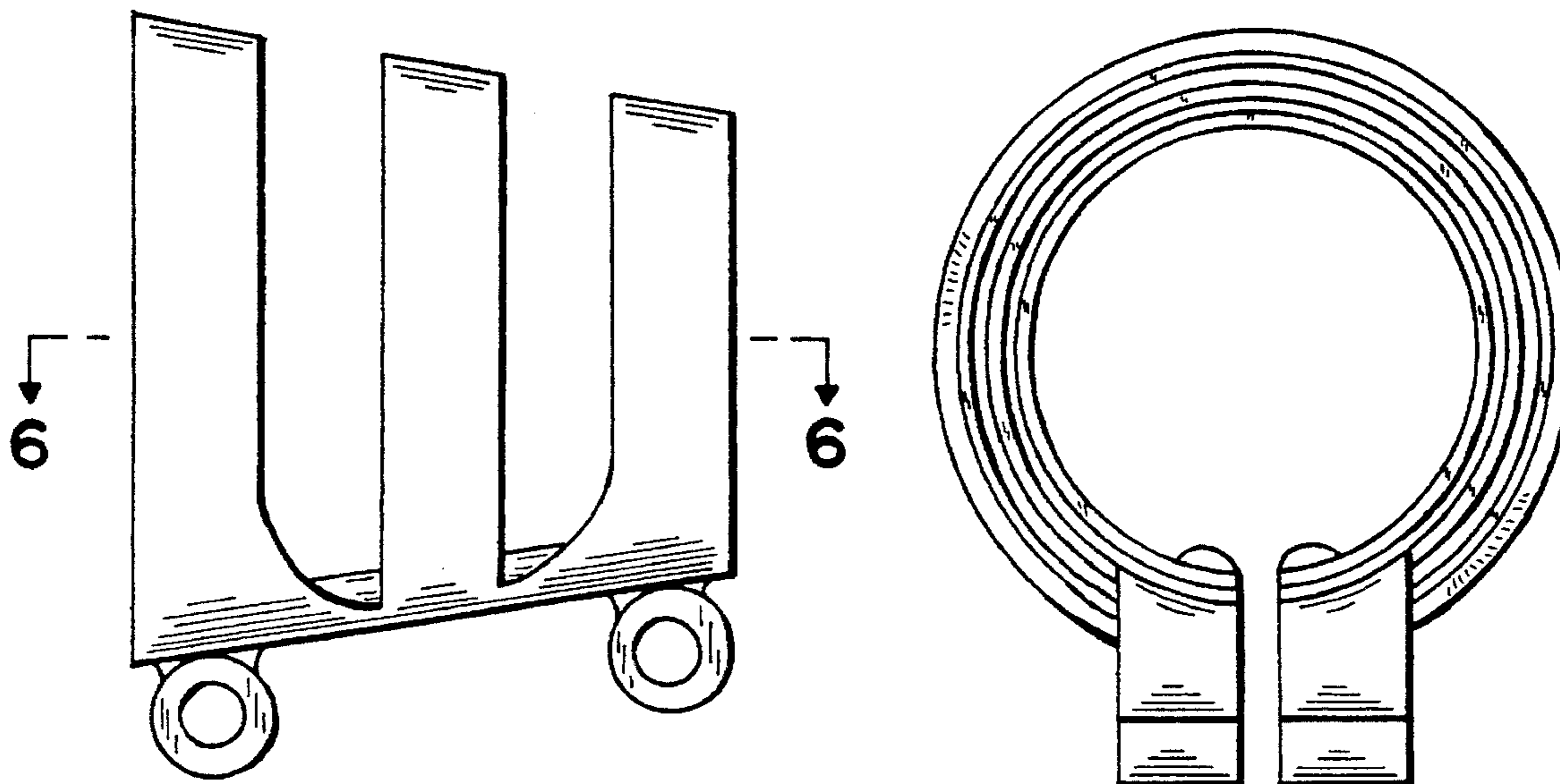


FIG. 1

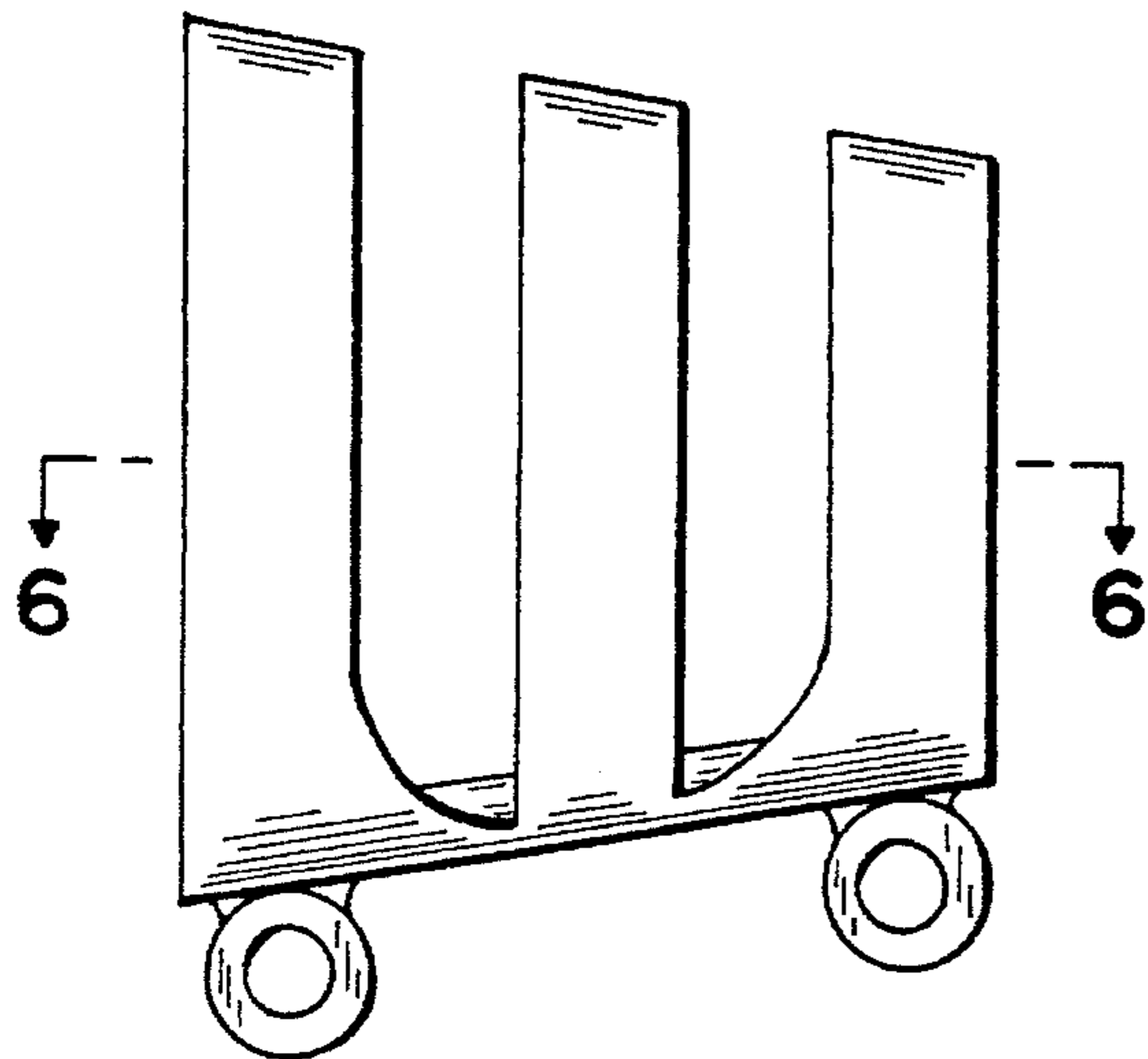


FIG. 2

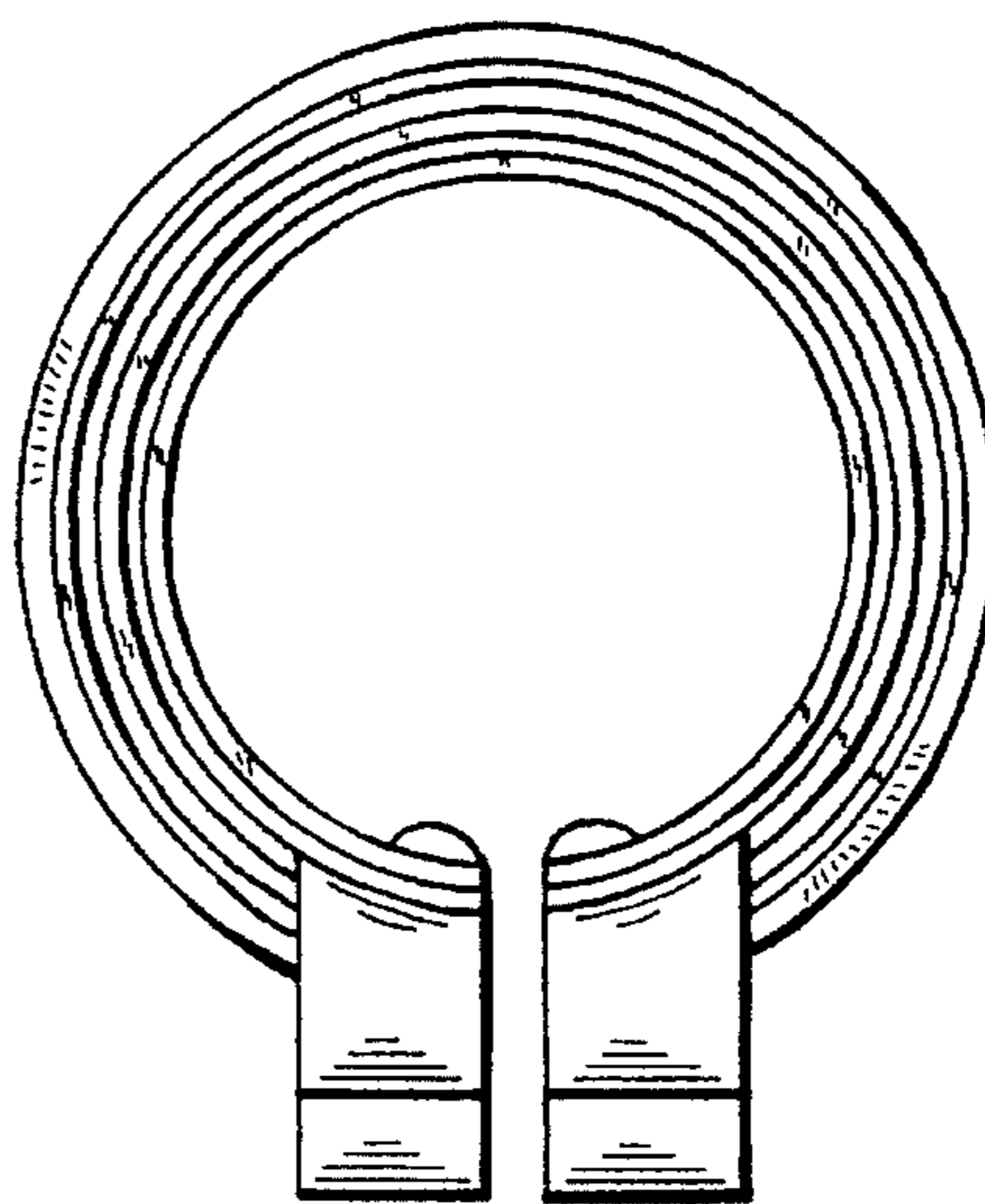


FIG. 3

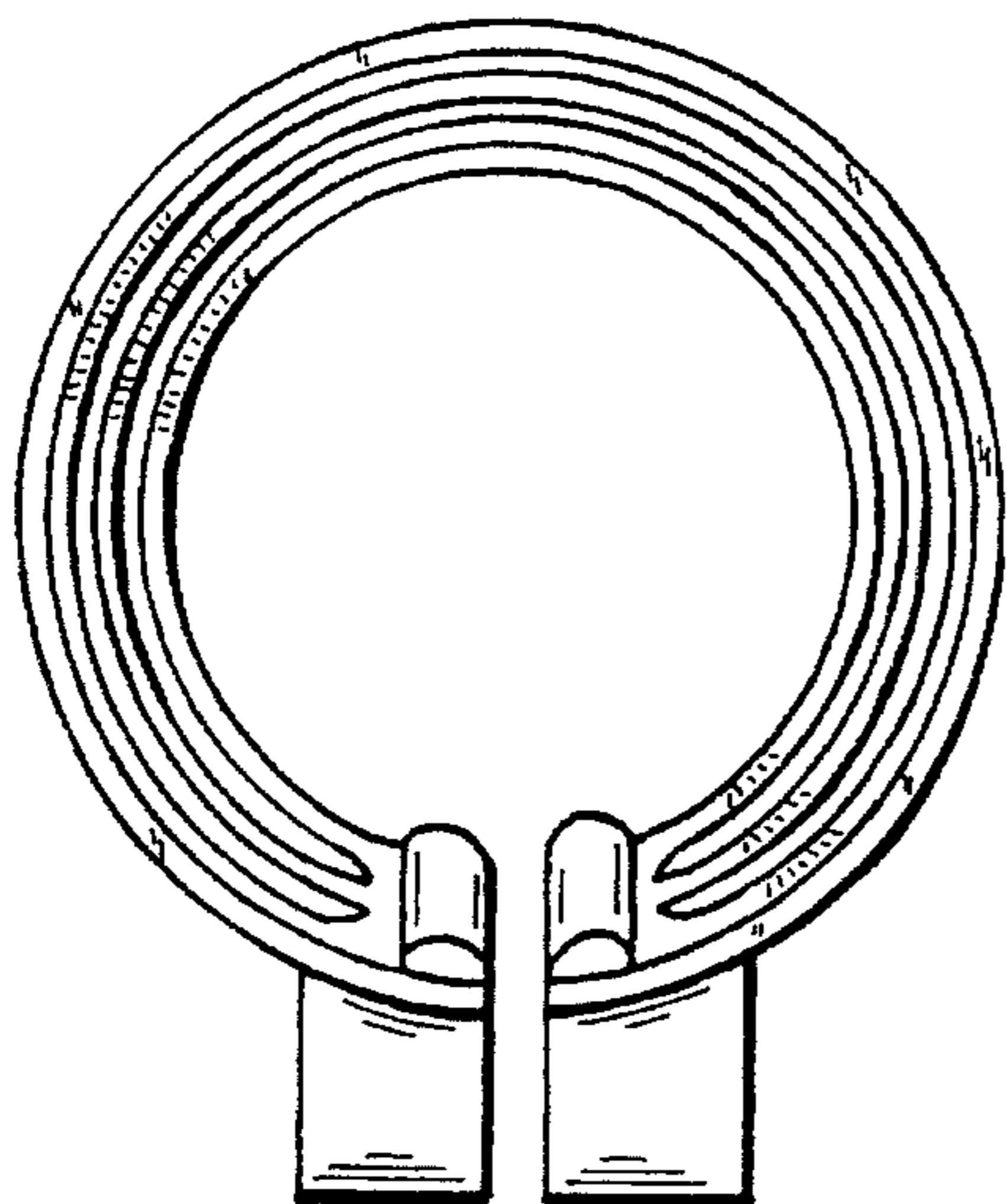


FIG. 4

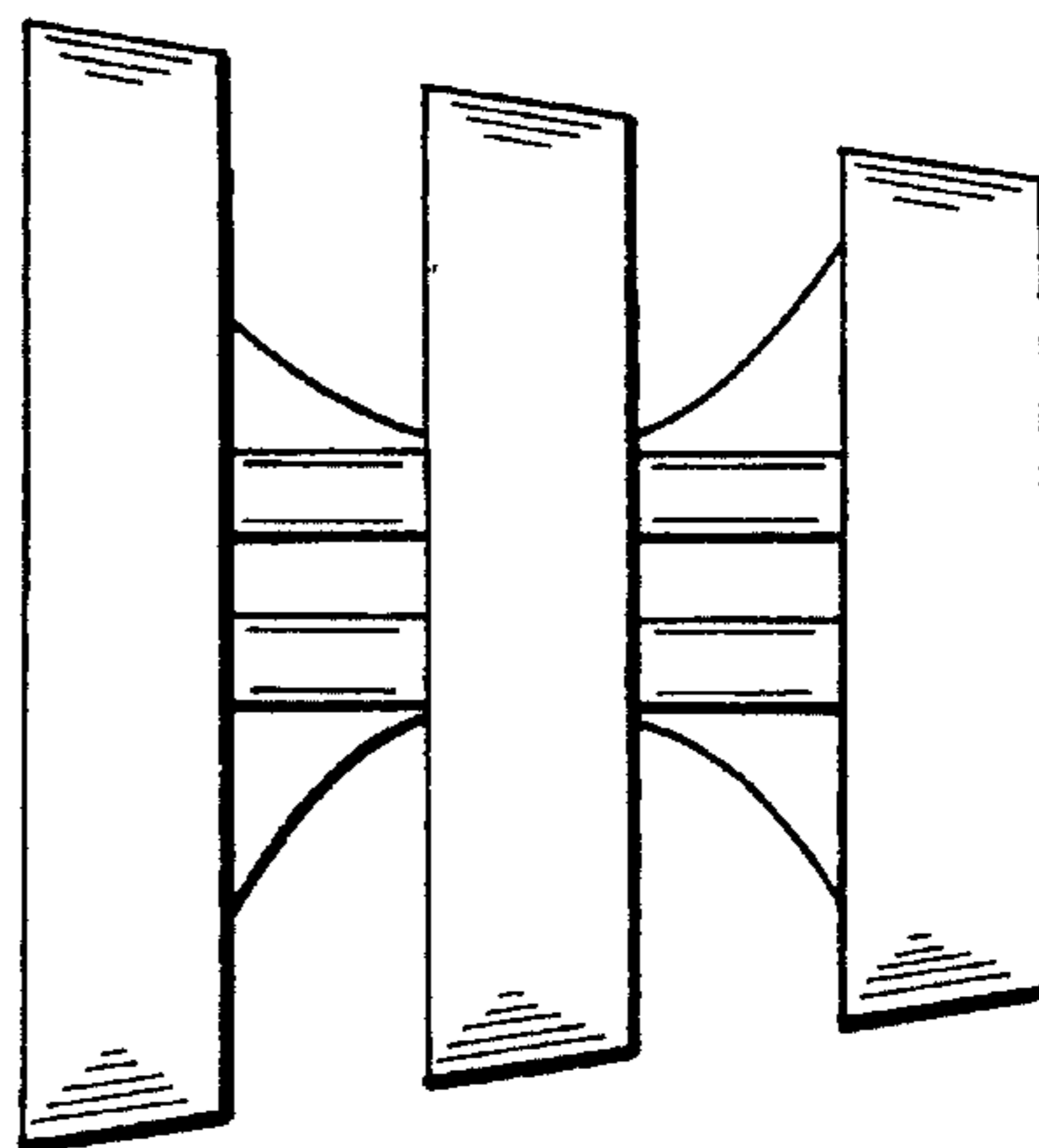


FIG. 5

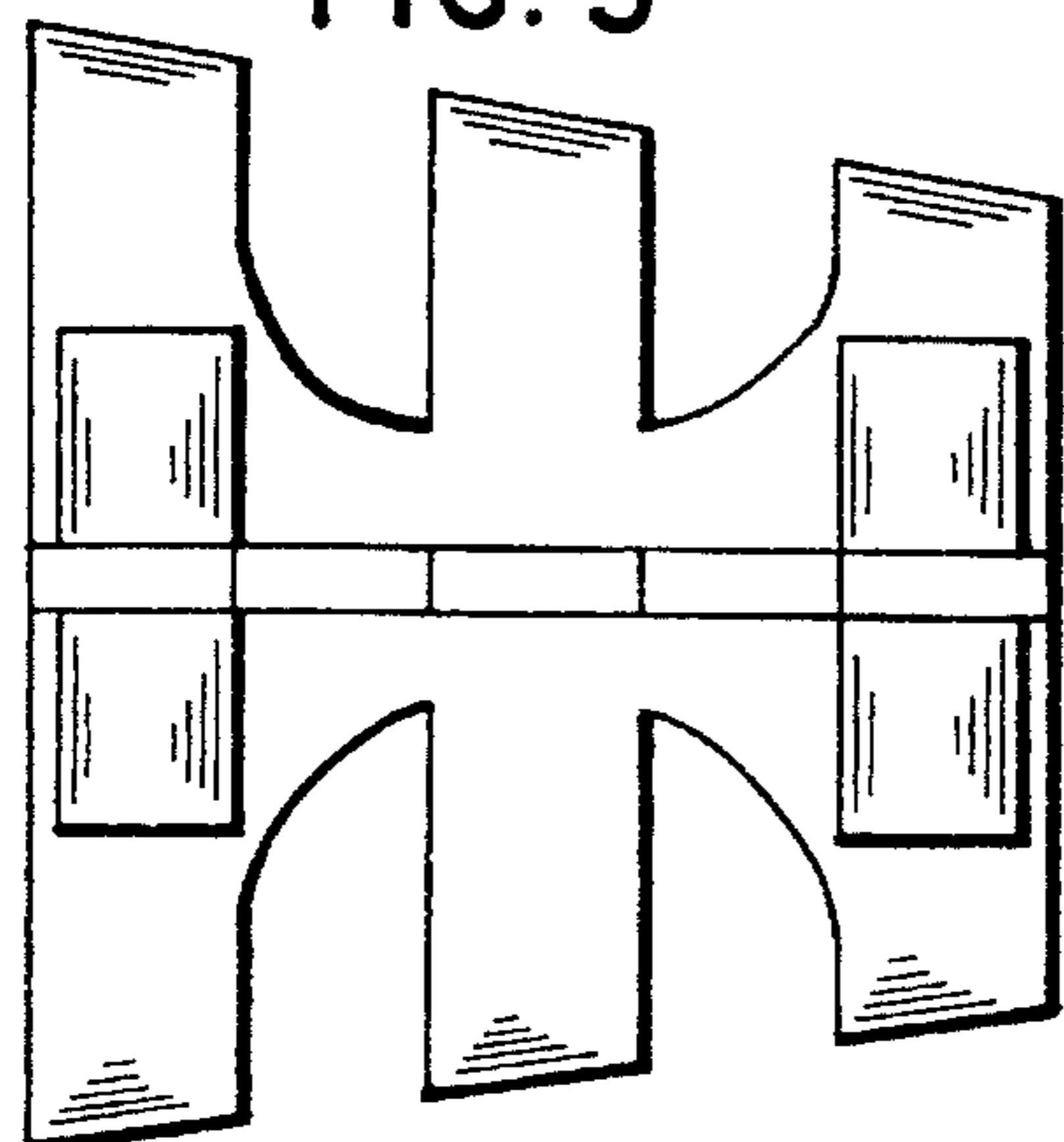


FIG. 6

