



US00D367073S

# United States Patent [19]

[11] Patent Number: **Des. 367,073**

**Kuo et al.**

[45] Date of Patent: **\*\*Feb. 13, 1996**

## [54] OVERHEAD PROJECTOR

## OTHER PUBLICATIONS

[75] Inventors: **Chien-Lung Kuo; Eric Fan**, both of Taipei Hsien, Taiwan

Overhead Projectors Catalog, 1968, p. 3.  
German Design Registration M 92 06 802, Apr. 24, 1993.

[73] Assignee: **Primax Electronics, Ltd.**, Taipei Hsien, Taiwan

*Primary Examiner*—Ted Shooman  
*Assistant Examiner*—Adir Aronovich  
*Attorney, Agent, or Firm*—Merchant, Gould, Smith, Edell, Welter & Schmidt

[\*\*] Term: **14 Years**

[21] Appl. No.: **39,318**

## [57] CLAIM

[22] Filed: **May 23, 1995**

The ornamental design for an overhead projector, as shown and described.

[52] U.S. Cl. .... **D16/232**

[58] Field of Search ..... D16/221, 225, D16/229, 232, 233; 353/61, 66, 119, 122, DIG. 3, DIG. 4, DIG. 5

## DESCRIPTION

## [56] References Cited

FIG. 1 is a top perspective view of an overhead projector in an operational position showing our new design; FIG. 2 is a perspective view thereof, in a stored position; FIG. 3 is a front elevational view thereof; FIG. 4 is a rear elevational view thereof; FIG. 5 is a left side elevational view thereof; FIG. 6 is a right elevational view thereof; FIG. 7 is a bottom plan view thereof; and, FIG. 8 is a top plan view thereof.

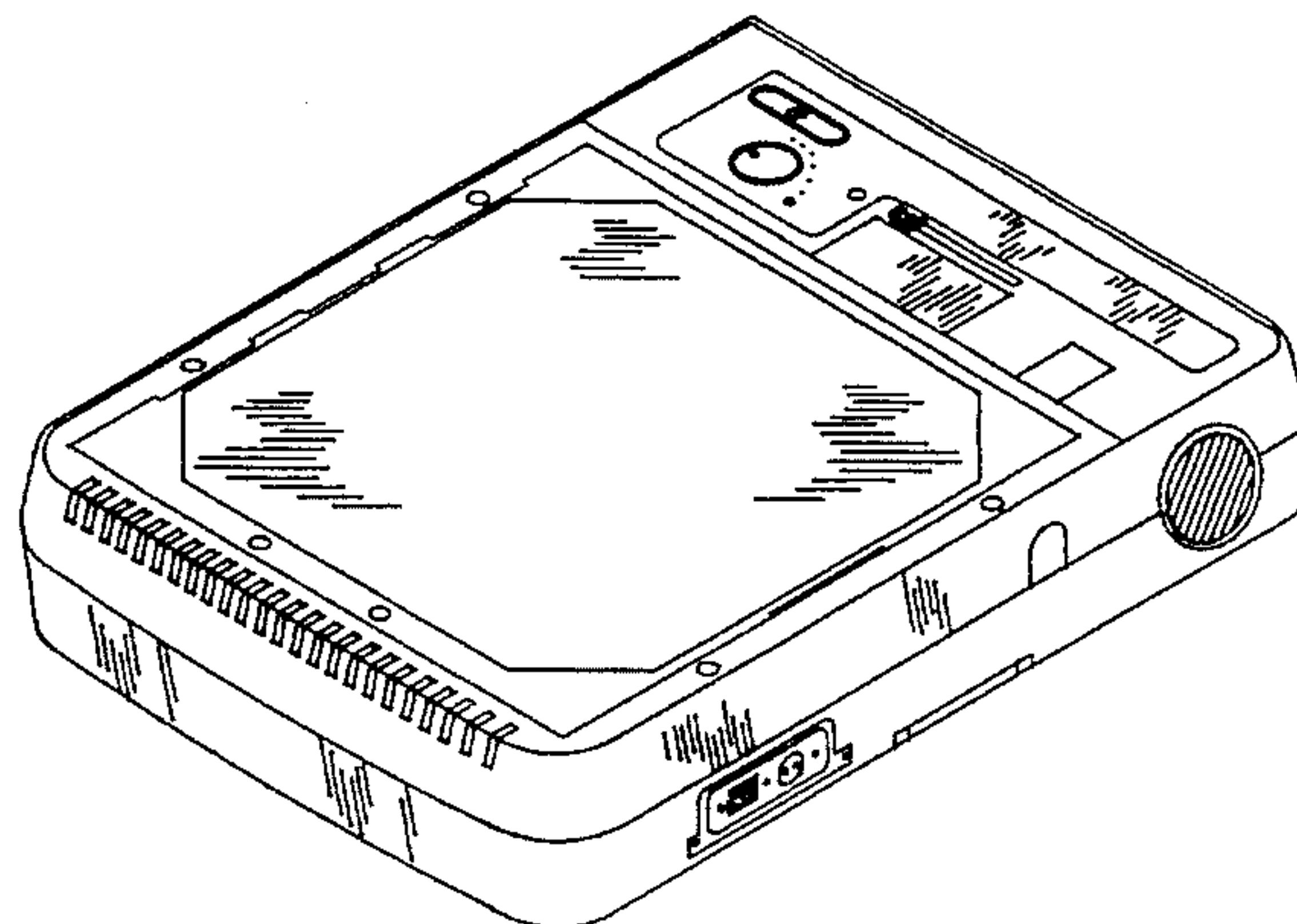
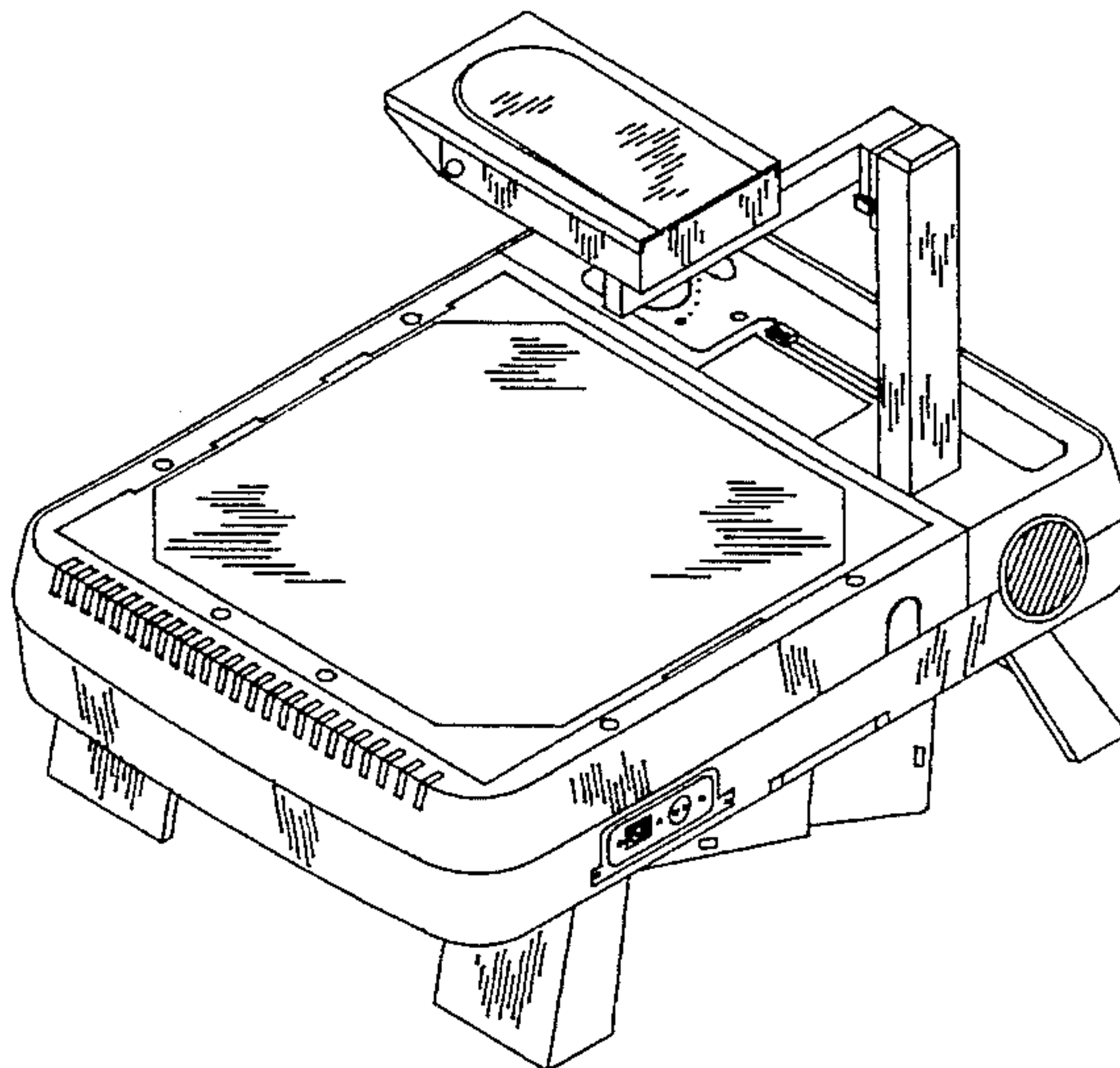
### U.S. PATENT DOCUMENTS

D. 344,533	2/1994	Hasegawa	.....	D16/232
D. 350,361	9/1994	Hasegawa	.....	D16/232
5,382,991	1/1995	Rodriguez, Jr. et al.	.....	353/119
5,404,186	4/1995	Stokes	.....	353/122

### FOREIGN PATENT DOCUMENTS

58-122528	7/1983	Japan	.....	353/DIG. 5
-----------	--------	-------	-------	------------

**1 Claim, 5 Drawing Sheets**



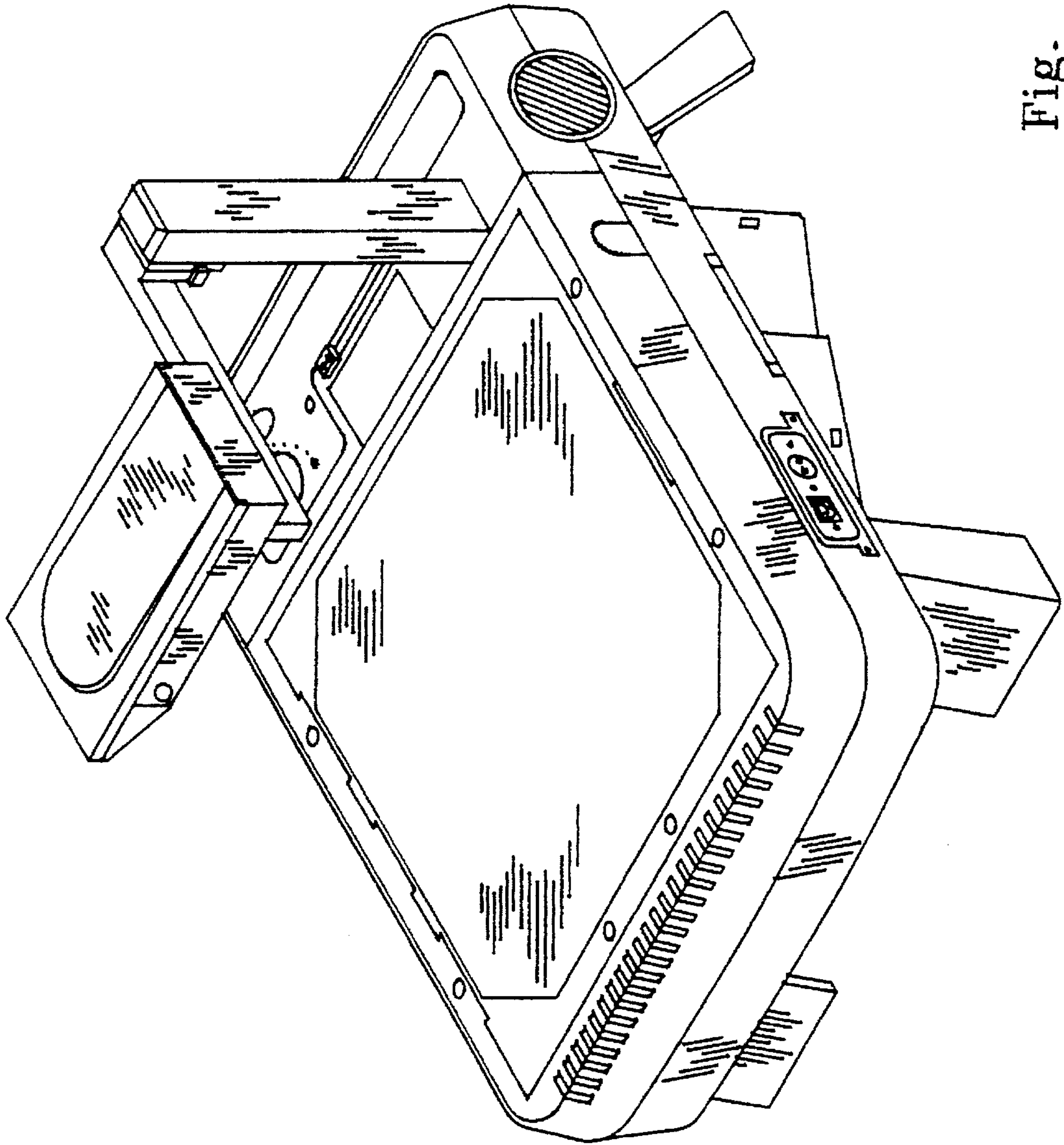


Fig. 1

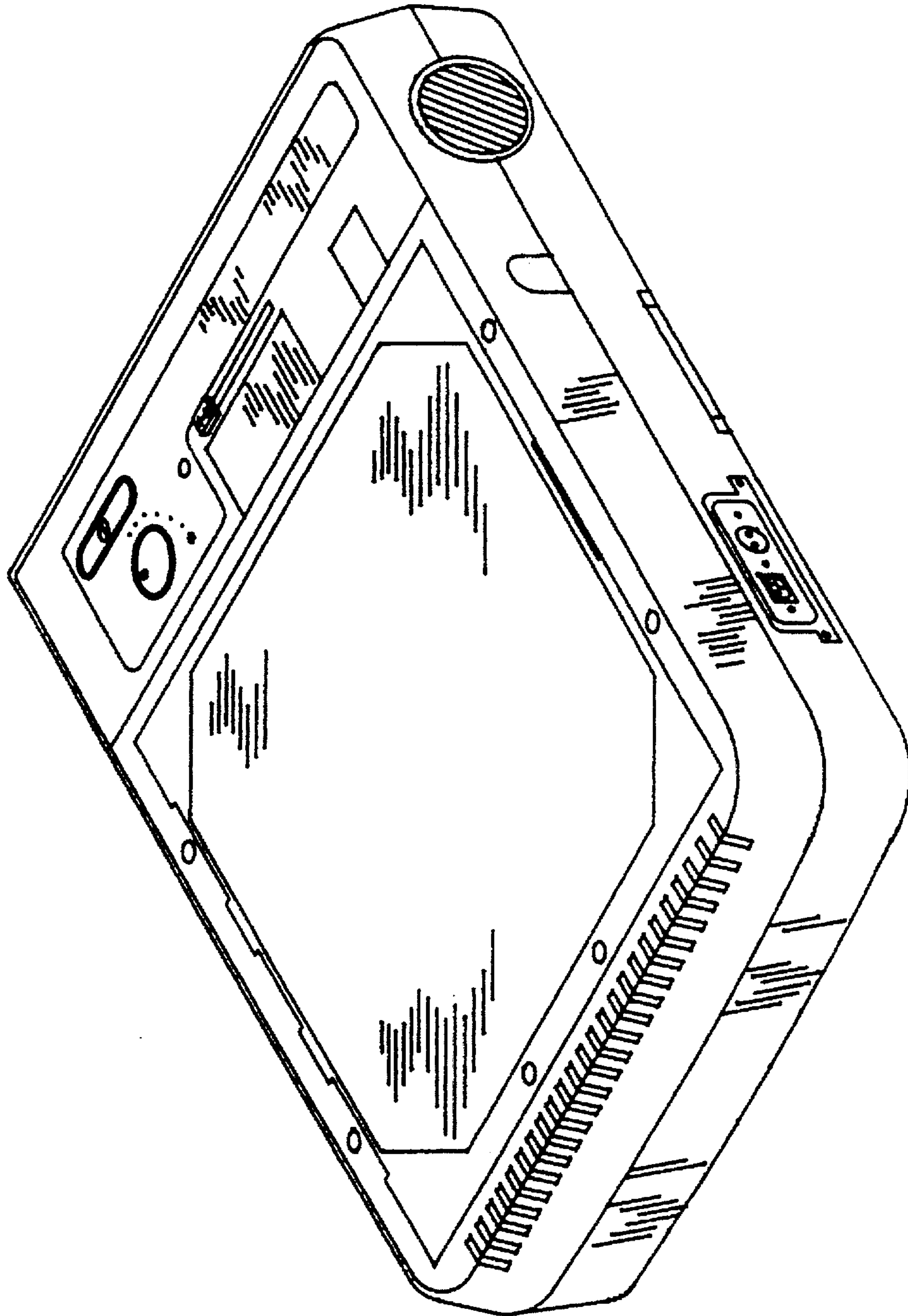


Fig. 2



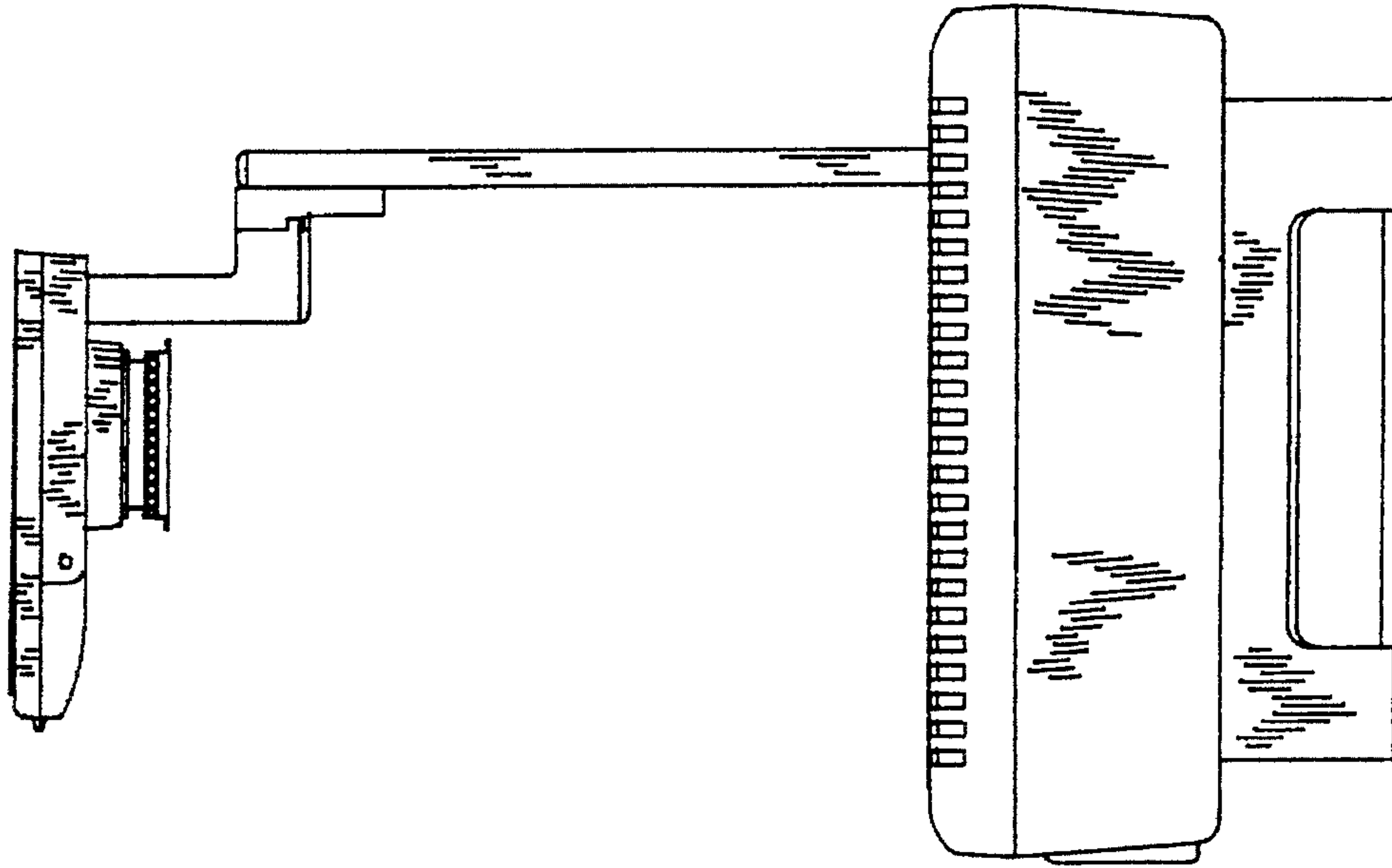


Fig. 3

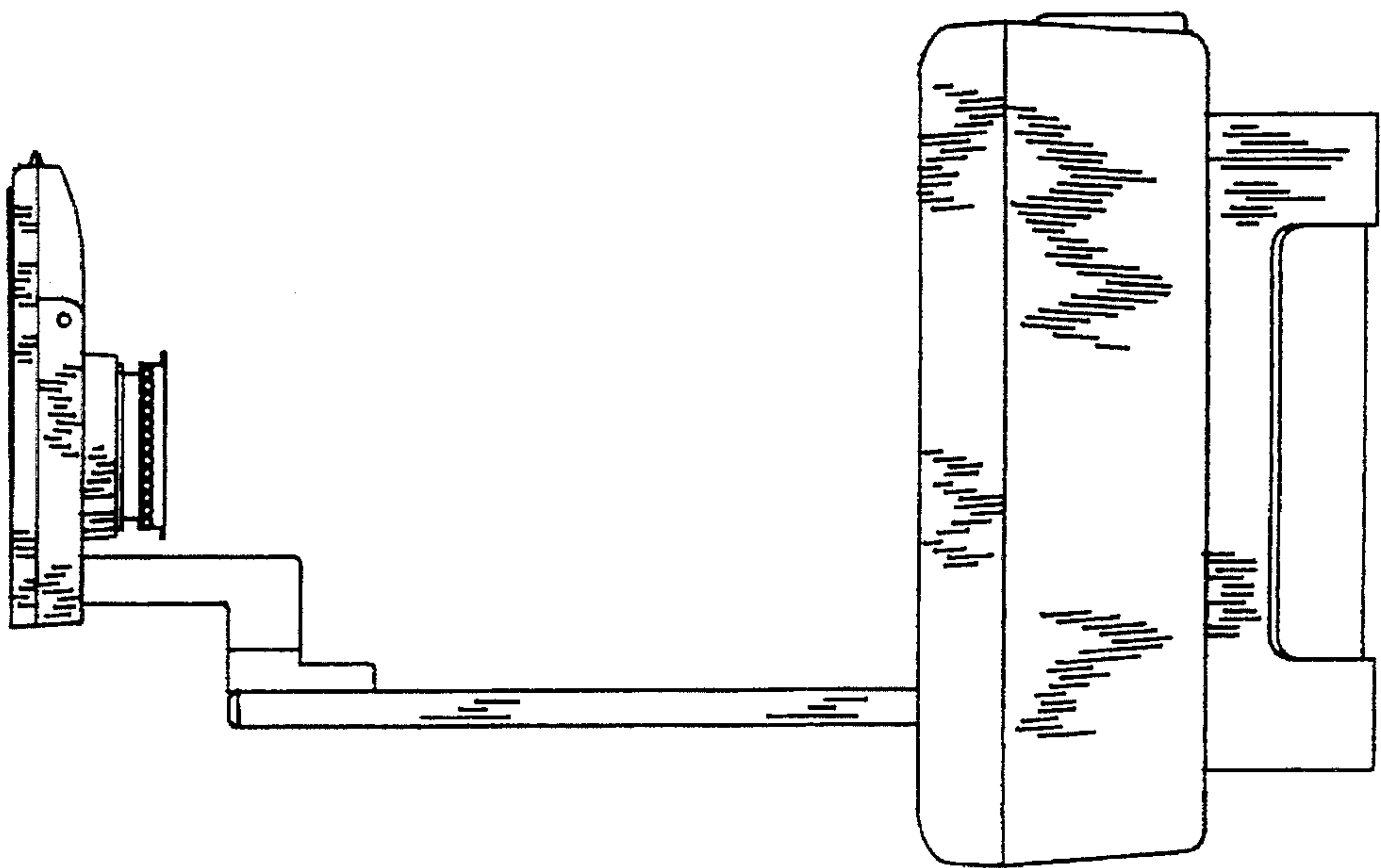


Fig. 4

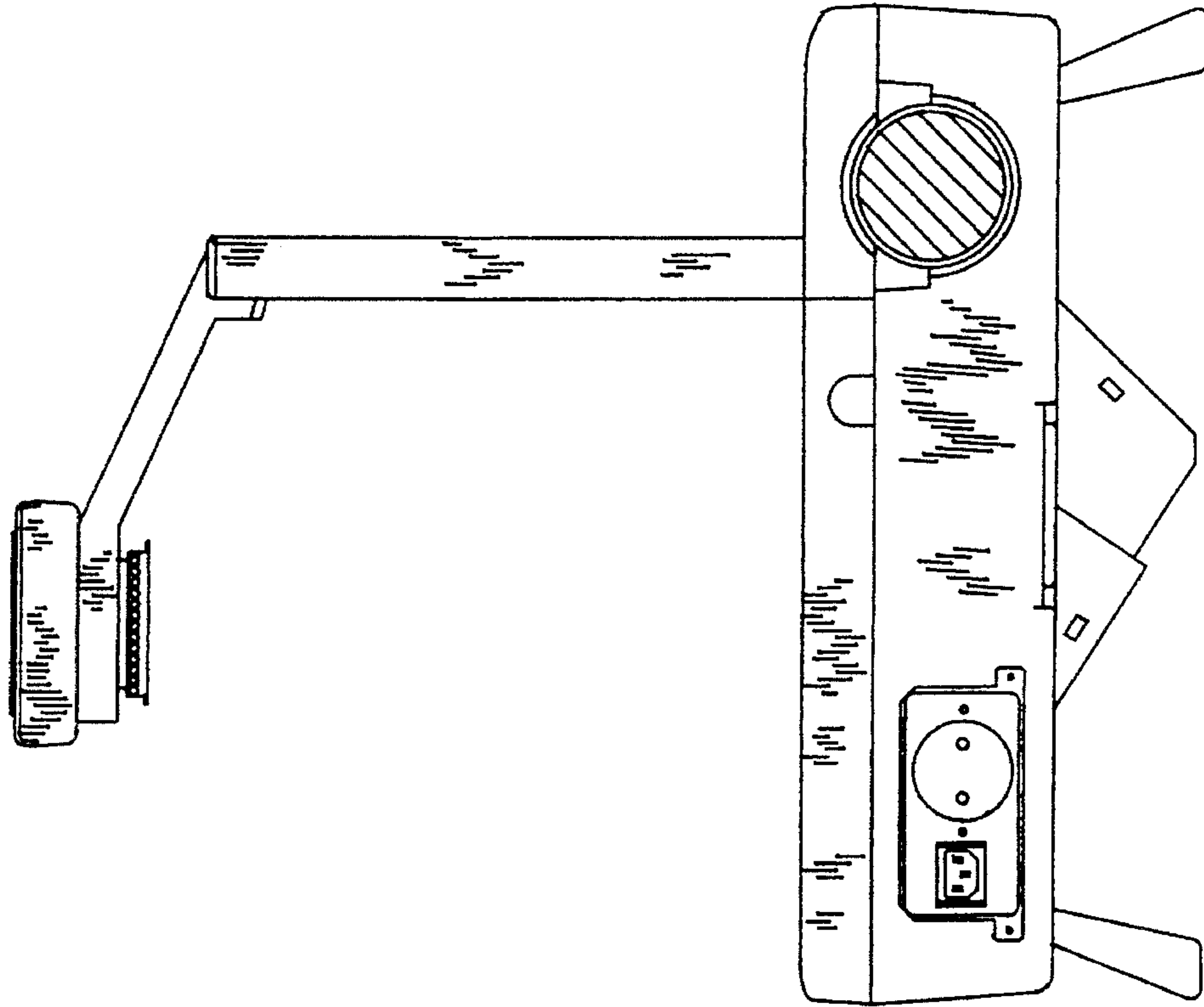


Fig. 5

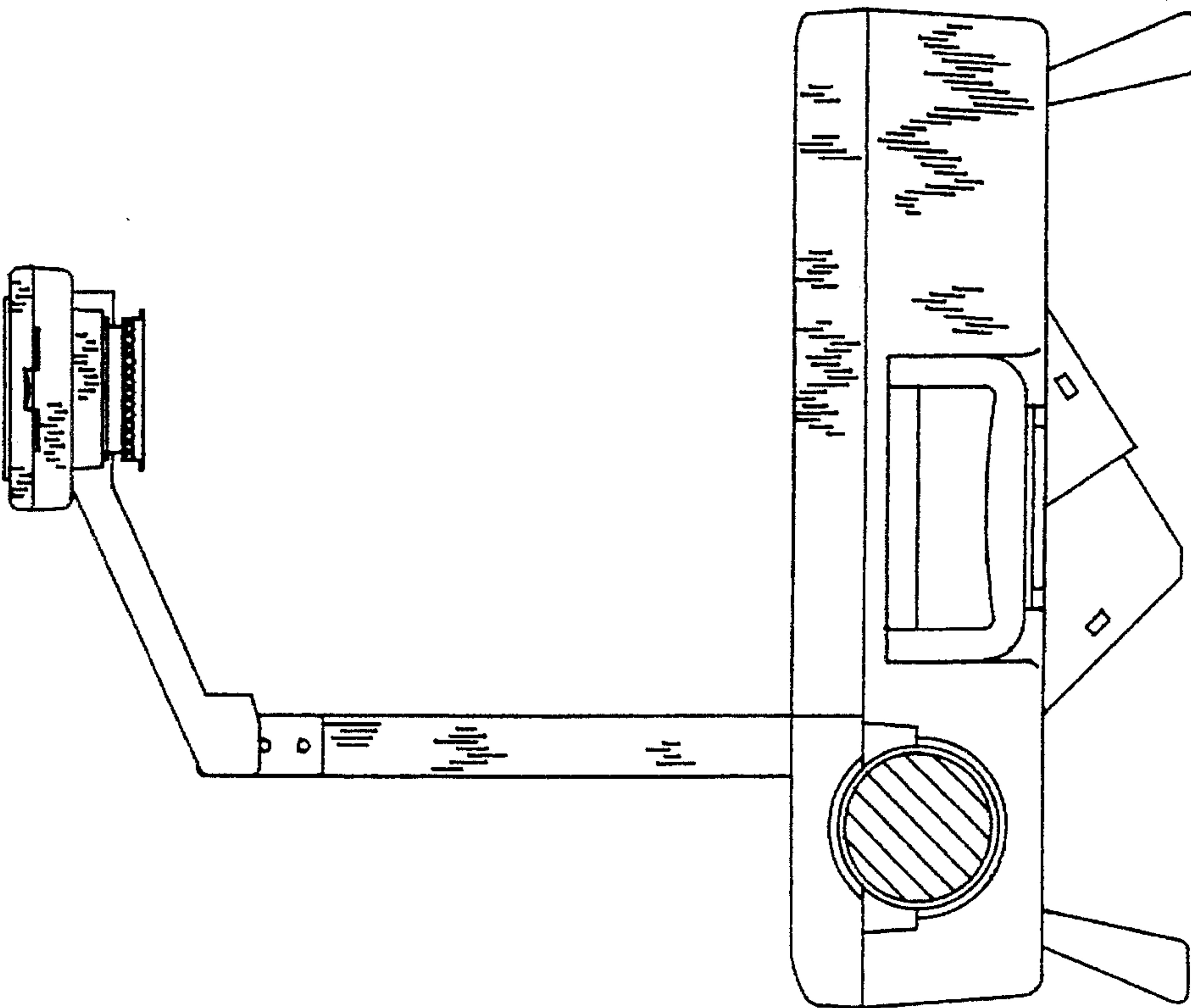


Fig. 6

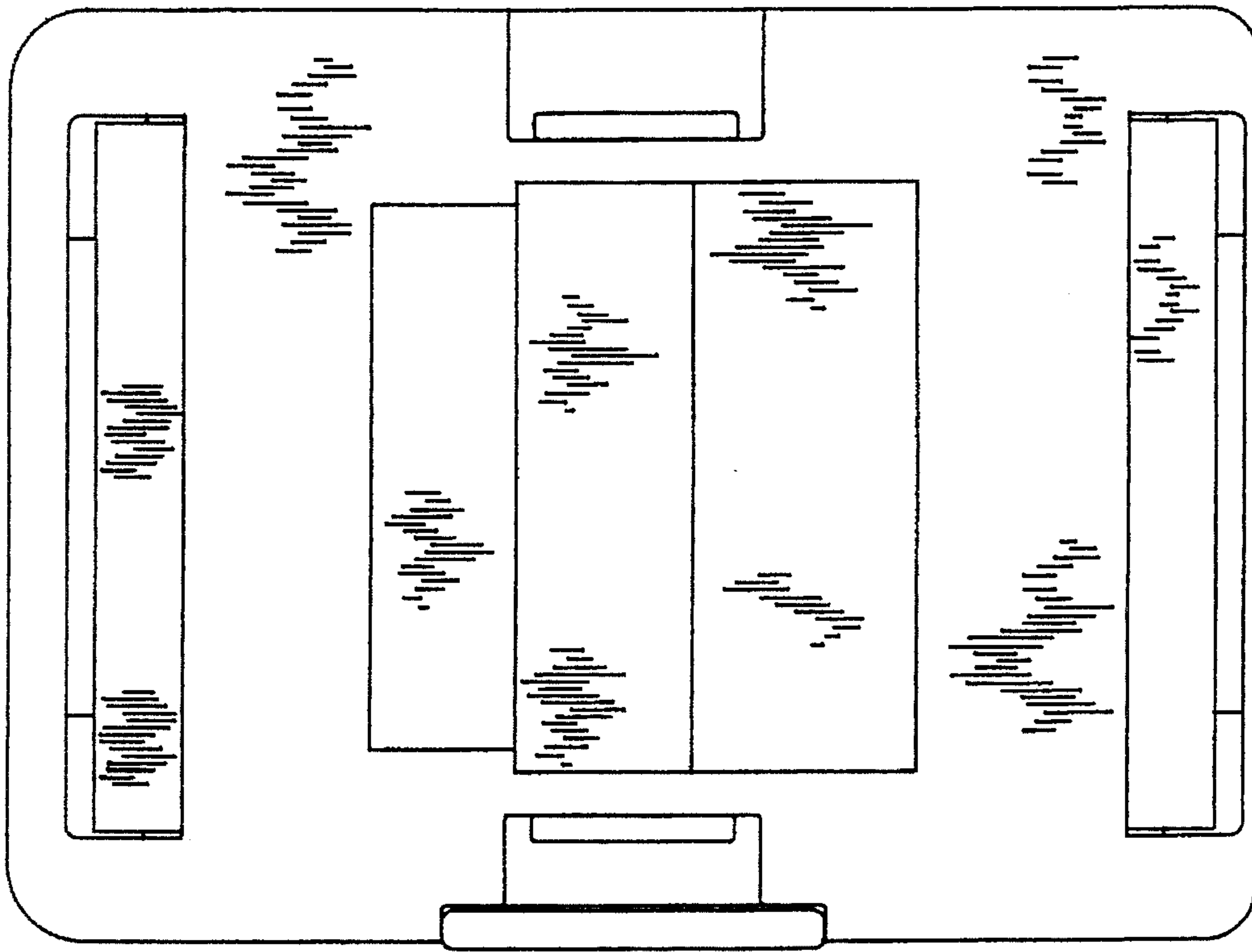


Fig. 7

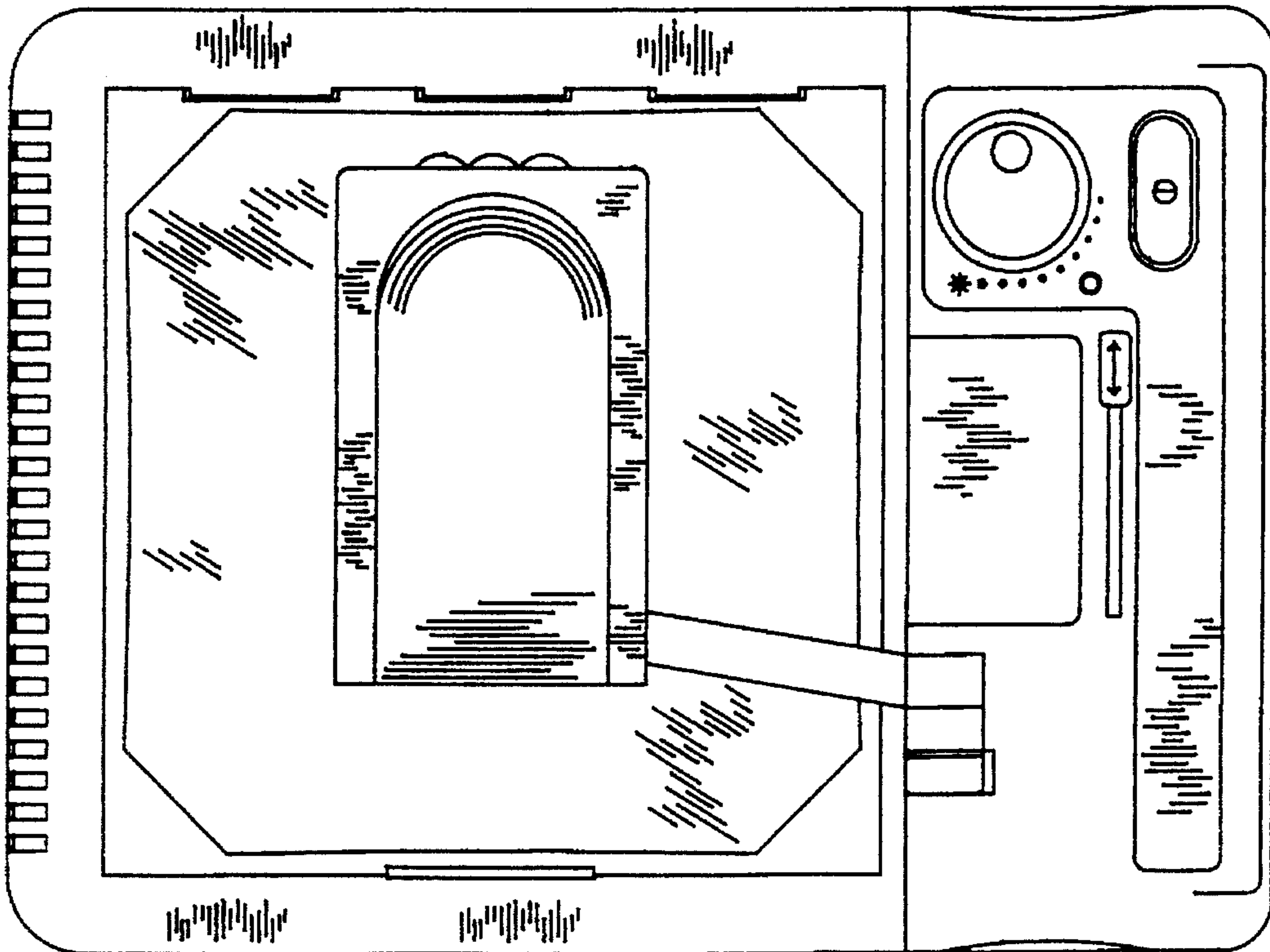


Fig. 8