



US00D367072S

**United States Patent** [19]  
**Goto**

[11] **Patent Number: Des. 367,072**  
[45] **Date of Patent: \*\*Feb. 13, 1996**

[54] **VIDEO CAMERA WITH VIDEO TAPE RECORDER**

[75] Inventor: **Masaaki Goto**, Ehime, Japan  
[73] Assignee: **Matsushita Electric Industrial Co., Ltd.**, Osaka, Japan  
[\*\*] Term: **14 Years**  
[21] Appl. No.: **27,996**  
[22] Filed: **Sep. 22, 1994**

[30] **Foreign Application Priority Data**

Mar. 23, 1994 [JP] Japan ..... 6-7724  
[52] **U.S. Cl.** ..... **D16/202**  
[58] **Field of Search** ..... D16/200-206;  
348/207, 373-376; 352/34, 242, 243; 358/906;  
354/82, 288

[56] **References Cited**

**U.S. PATENT DOCUMENTS**

D. 342,538 12/1993 Mori et al. .... D16/202  
D. 343,403 1/1994 Takano et al. .... D16/202  
D. 349,908 8/1994 Miyahara ..... D16/202  
D. 349,909 8/1994 Mori et al. .... D16/202  
D. 349,910 8/1994 Takano et al. .... D16/202  
5,132,800 7/1992 Wada ..... 348/375

**FOREIGN PATENT DOCUMENTS**

4-355570 12/1992 Japan ..... H04N 5/225

**OTHER PUBLICATIONS**

Copy of catalog Victor's issued on Aug. 1993.  
Ritz Camera Catalog, Aug. 1991 p. 24 (Panasonic PV-21)  
Located in examiner's office.  
Video Magazine, Nov. 1991 p. 3 (Panasonic PV-41).

*Primary Examiner*—Ted Shooman  
*Assistant Examiner*—Adir Aronovich  
*Attorney, Agent, or Firm*—Sughrue, Mion, Zinn, Macpeak & Seas

[57] **CLAIM**

The ornamental design for a video camera with video tape recorder, as shown and described.

**DESCRIPTION**

FIG. 1 is a perspective view of the top, front and right side of a video camera with video tape recorder showing my new design;  
FIG. 2 is a perspective view of the rear, top and left side thereof;  
FIG. 3 is a right side elevational view thereof;  
FIG. 4 is a top plan view thereof;  
FIG. 5 is a left side elevational view thereof;  
FIG. 6 is a front elevational view thereof;  
FIG. 7 is a rear elevational view thereof;  
FIG. 8 is a bottom plan view thereof; and,  
FIG. 9 is a perspective view similar to FIG. 2 with the view finder pivoted to a travel position.

**1 Claim, 4 Drawing Sheets**

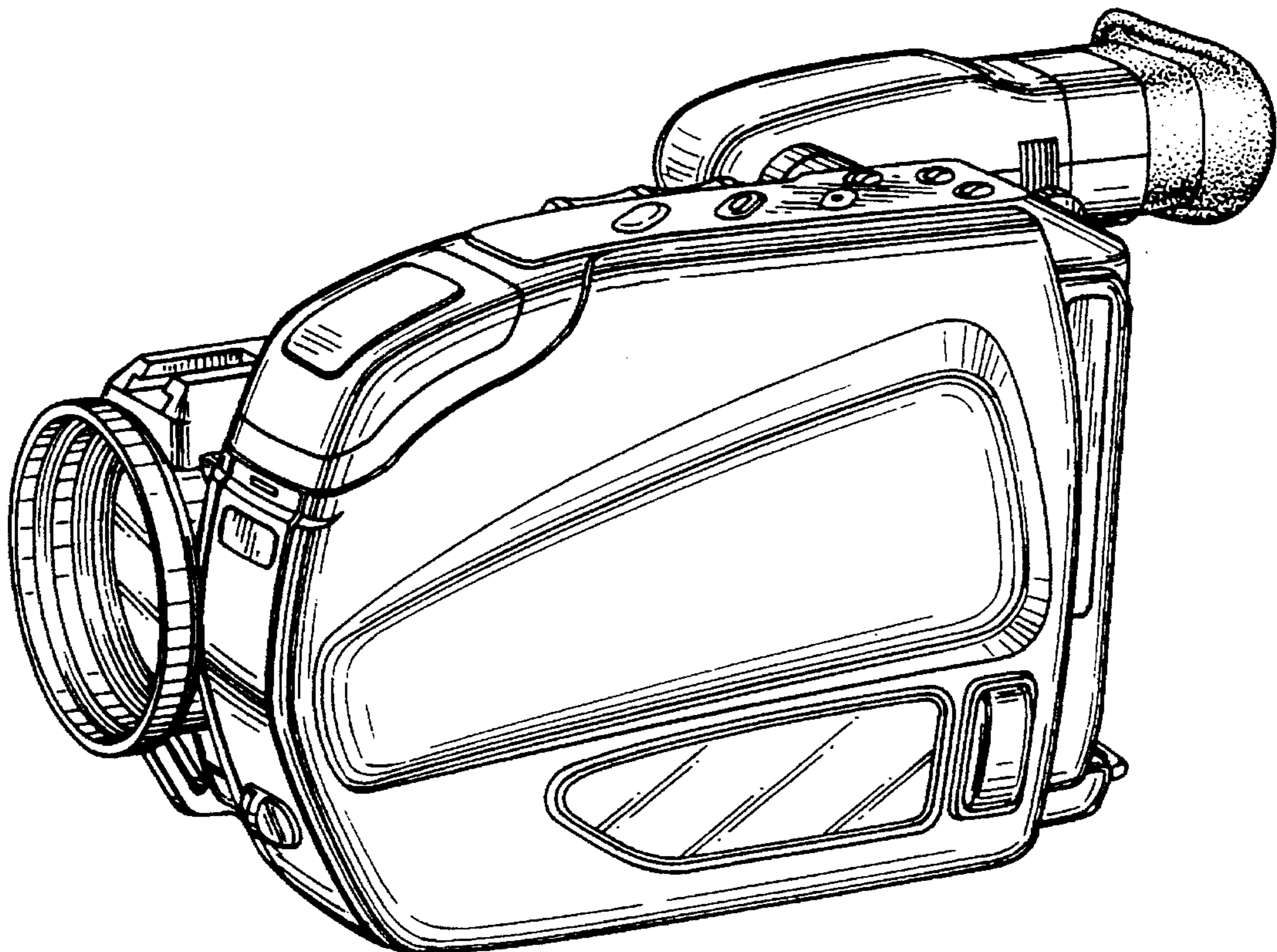


FIG. 1

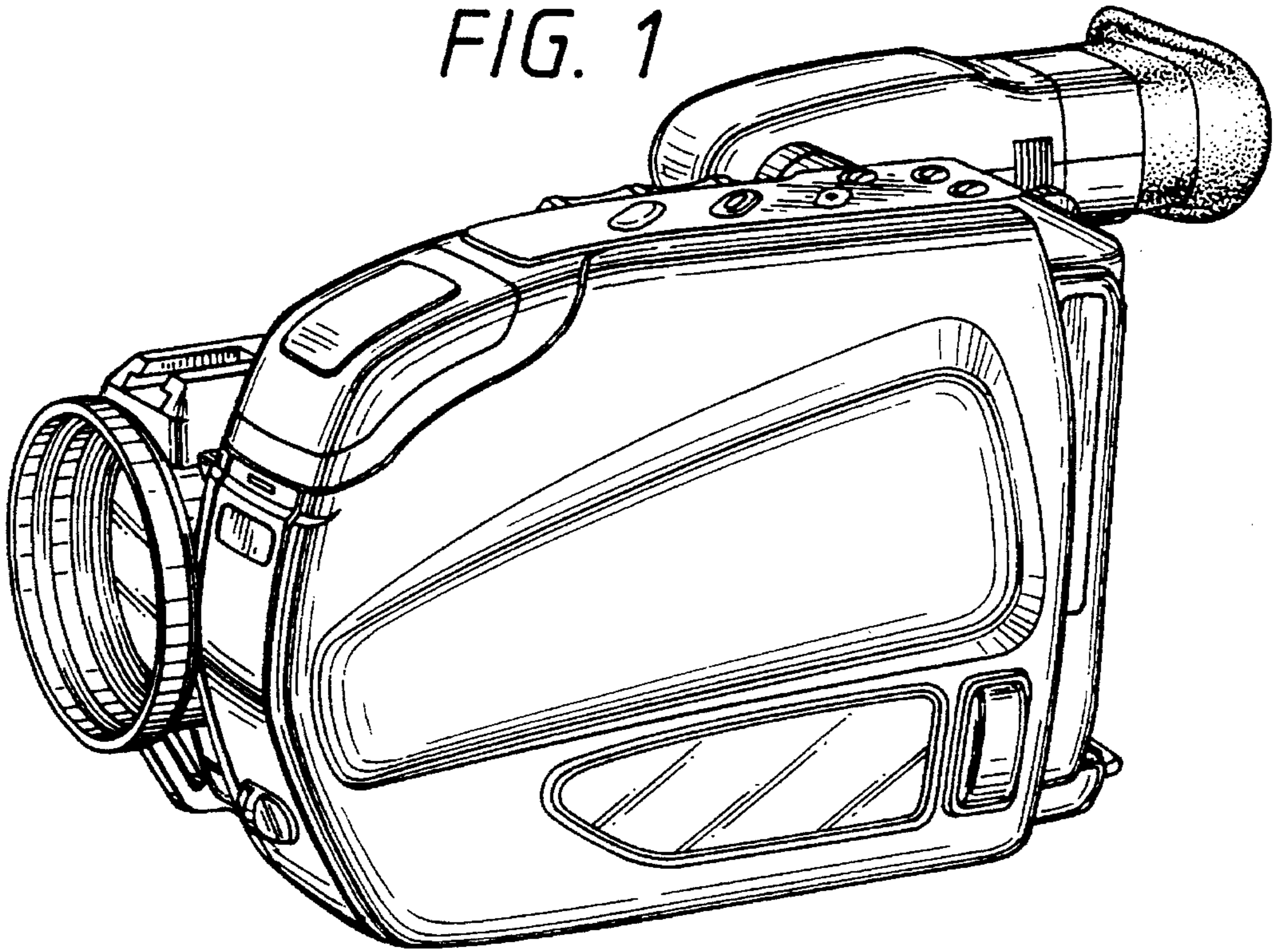


FIG. 2

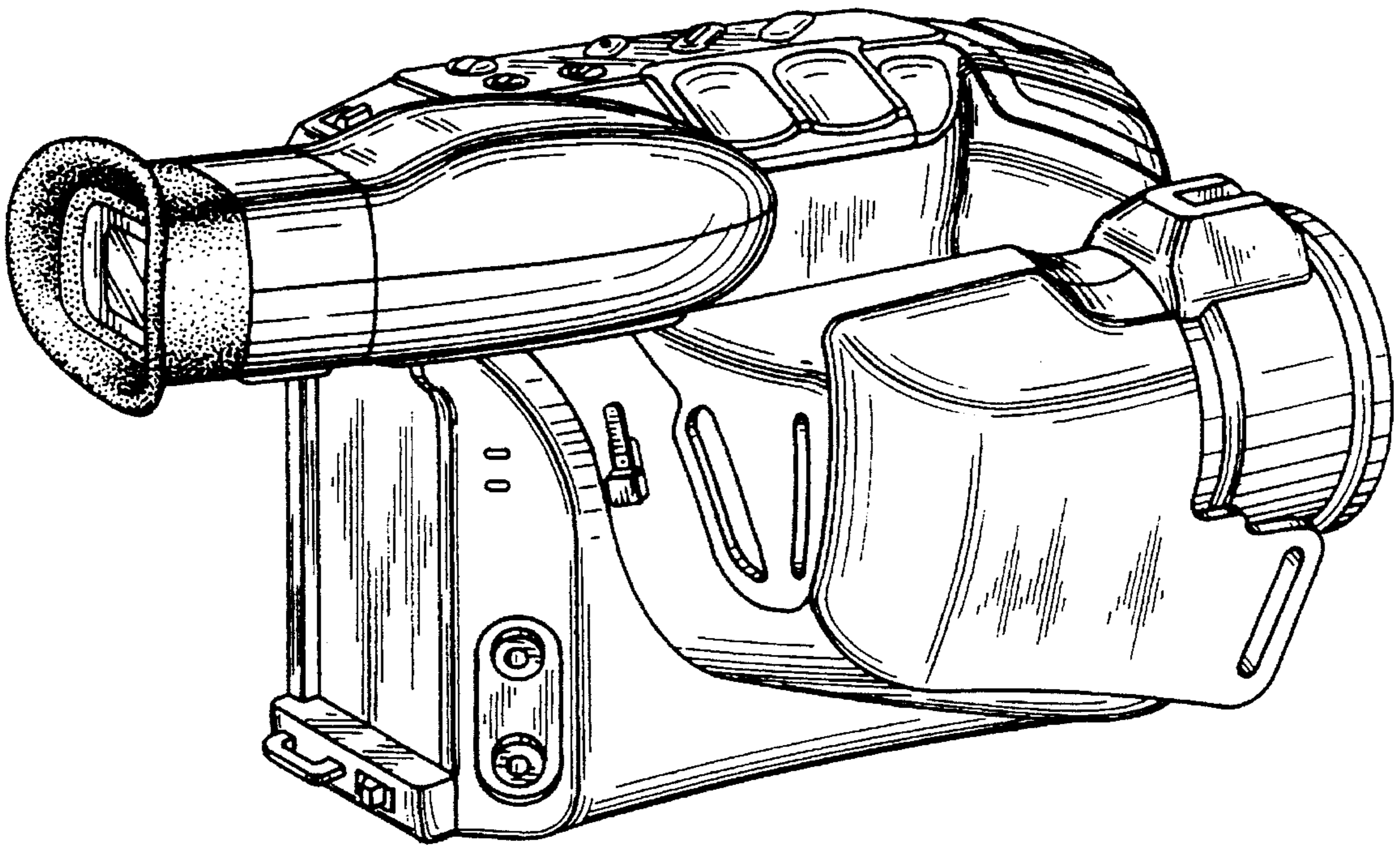


FIG. 3

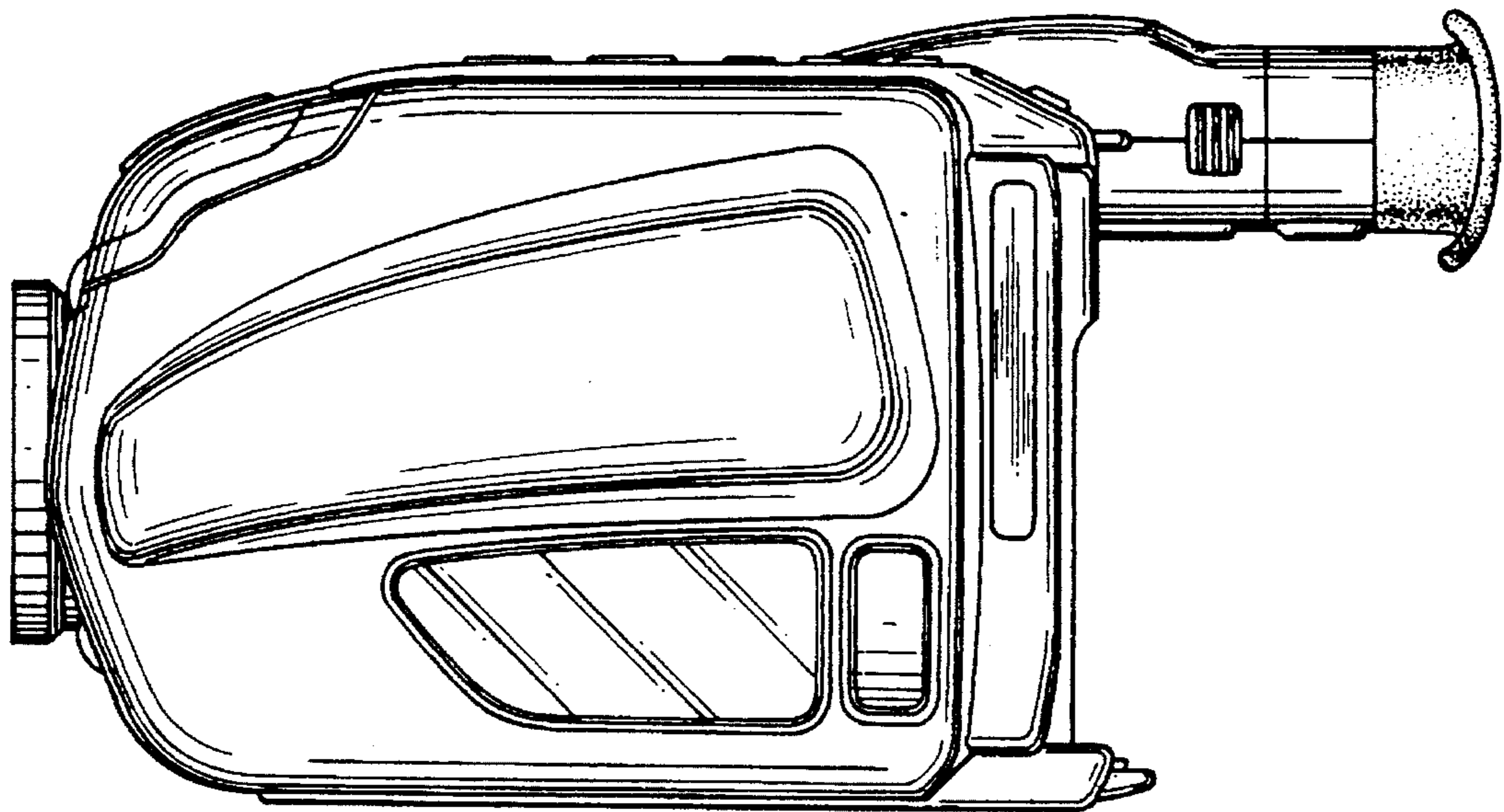


FIG. 4

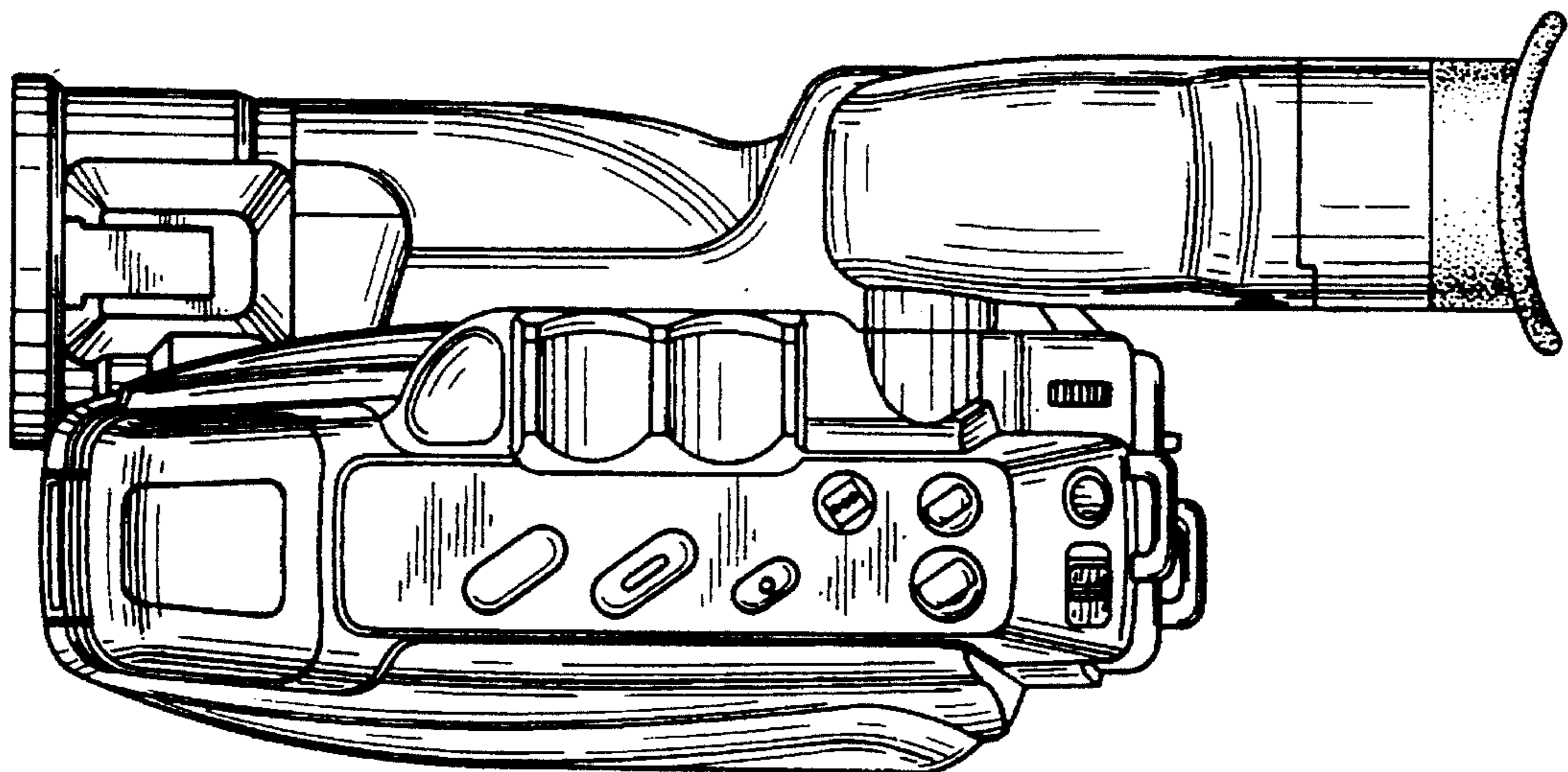


FIG. 5

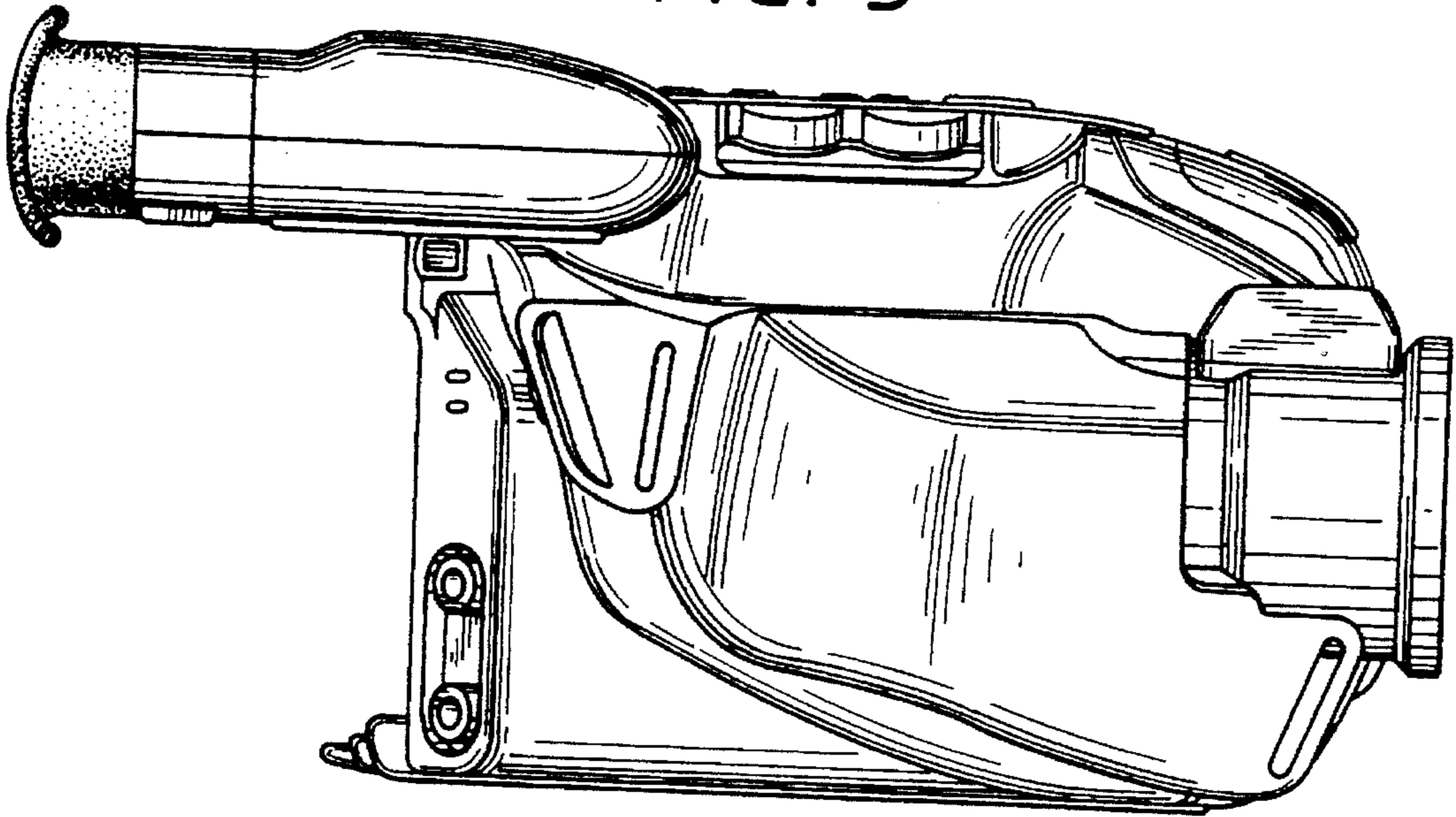


FIG. 6

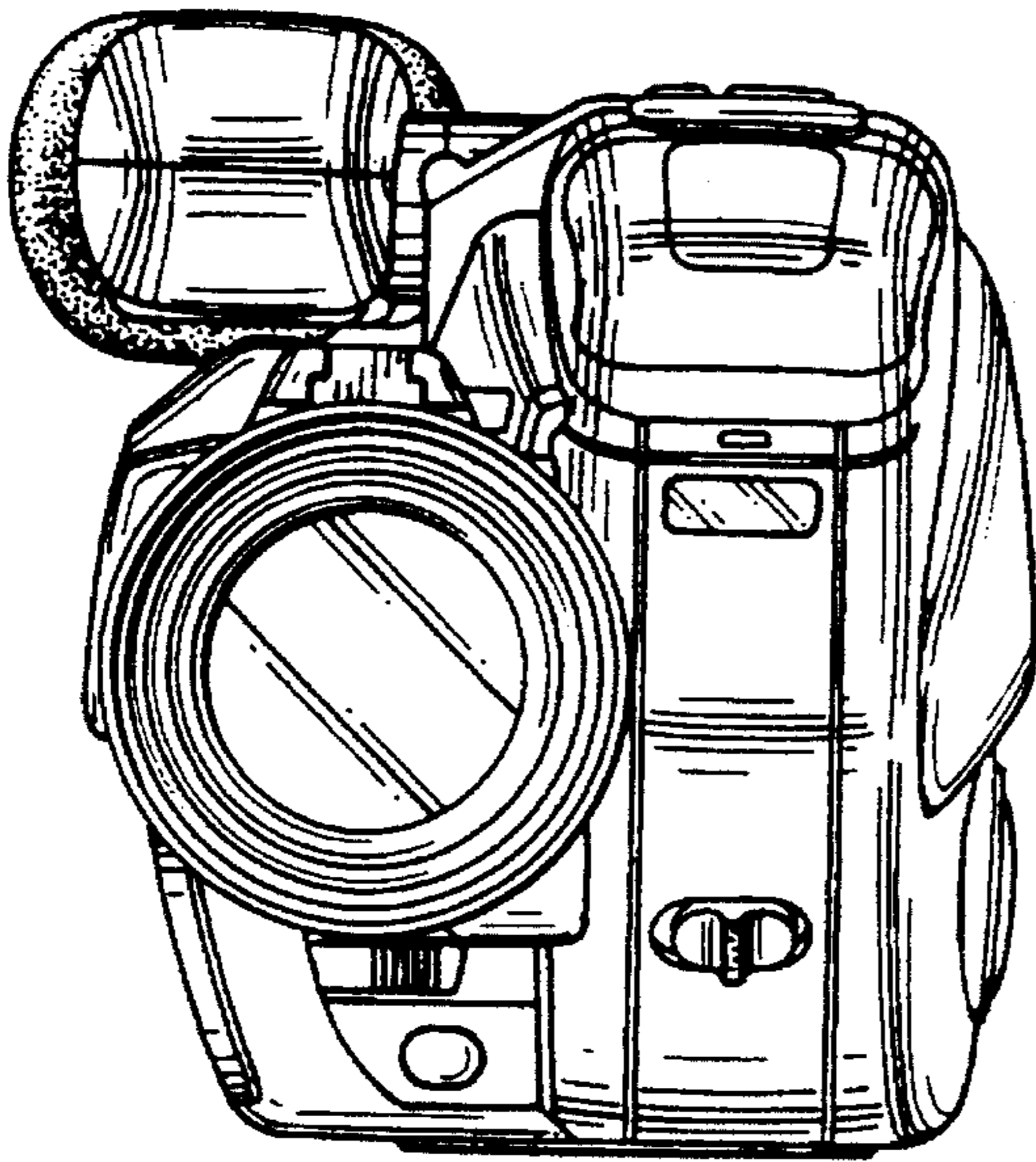


FIG. 7

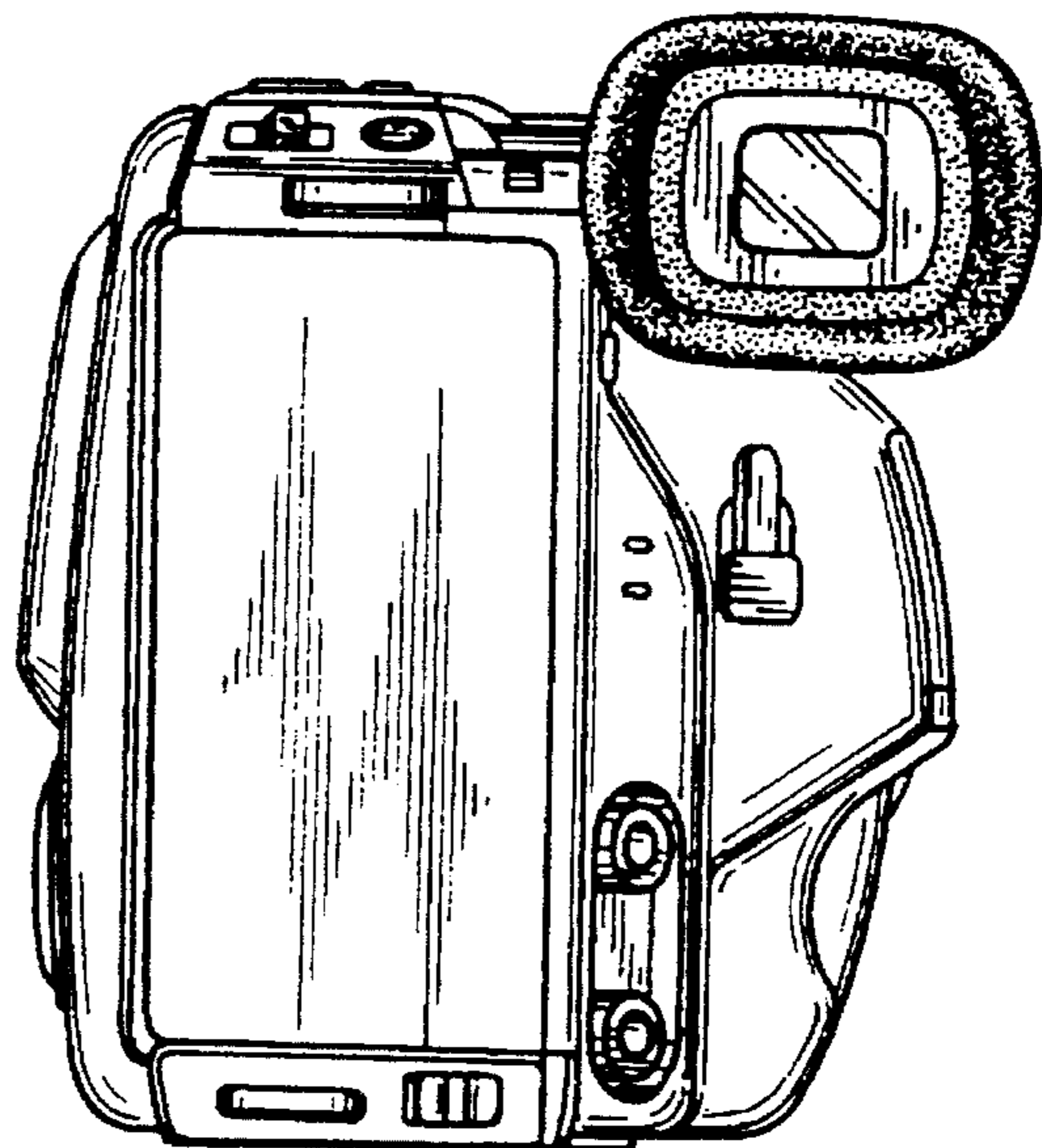


FIG. 8

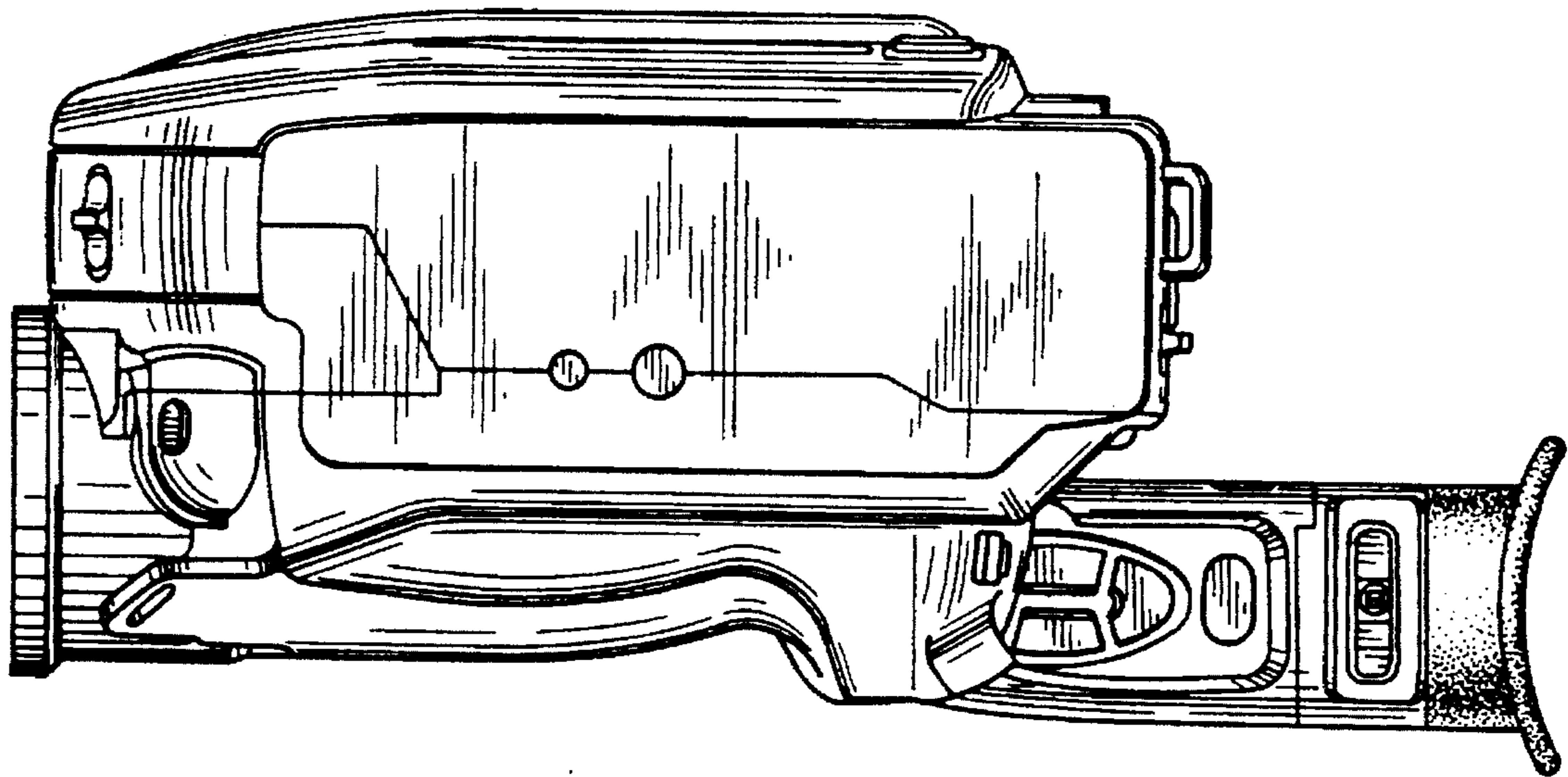


FIG. 9

