



US00D367071S

**United States Patent** [19]  
**McKay**

[11] **Patent Number: Des. 367,071**

[45] **Date of Patent: \*\*Feb. 13, 1996**

[54] **COMBINED FEED STORAGE,  
TRANSPORTER AND DISPENSER FOR  
ELEVATED FEEDING STATIONS**

[76] Inventor: **Basil W. McKay**, Box 96, Kramer Rd.,  
Harper, Tex. 78631

[\*\*] Term: **14 Years**

[21] Appl. No.: **25,507**

[22] Filed: **Jul. 5, 1994**

[52] U.S. Cl. .... **D15/27**; D15/13; D12/101

[58] Field of Search ..... D12/101, 102;  
296/171, 173; D15/13, 27; 414/526

[56] **References Cited**

**U.S. PATENT DOCUMENTS**

D. 221,991	9/1971	Jensen	.....	D12/101	X
D. 294,583	3/1988	Blumer et al.	.....	D15/27	
D. 306,864	3/1990	Van Mill	.....	D15/27	
2,767,963	10/1956	Ringen et al.	.....	D12/105	X
4,846,621	7/1989	Warsaw	.....	414/526	

**OTHER PUBLICATIONS**

The Snow Company, Mar. 2, 1970, cover page, auger box  
located in center of page.

Calhoun, Feb. 24, 1967, cover page, fertilizer spreader

located in center of page.

*Primary Examiner*—A. Hugo Word

*Assistant Examiner*—Holly H. Baynham

*Attorney, Agent, or Firm*—David L. Baker; Rhodes &  
Ascolillo

[57] **CLAIM**

The ornamental design for a combined feed storage, trans-  
porter and dispenser for elevated feeding stations, as shown  
and described.

**DESCRIPTION**

FIG. 1 is a rear elevational view of a combined feed storage,  
transporter and dispenser for elevated feeding stations show-  
ing my new design therefor;

FIG. 2 is a front elevational view;

FIG. 3 is a right side elevational view;

FIG. 4 is a left side elevational view;

FIG. 5 is a top plan view; and,

FIG. 6 is a bottom plan view.

**1 Claim, 5 Drawing Sheets**

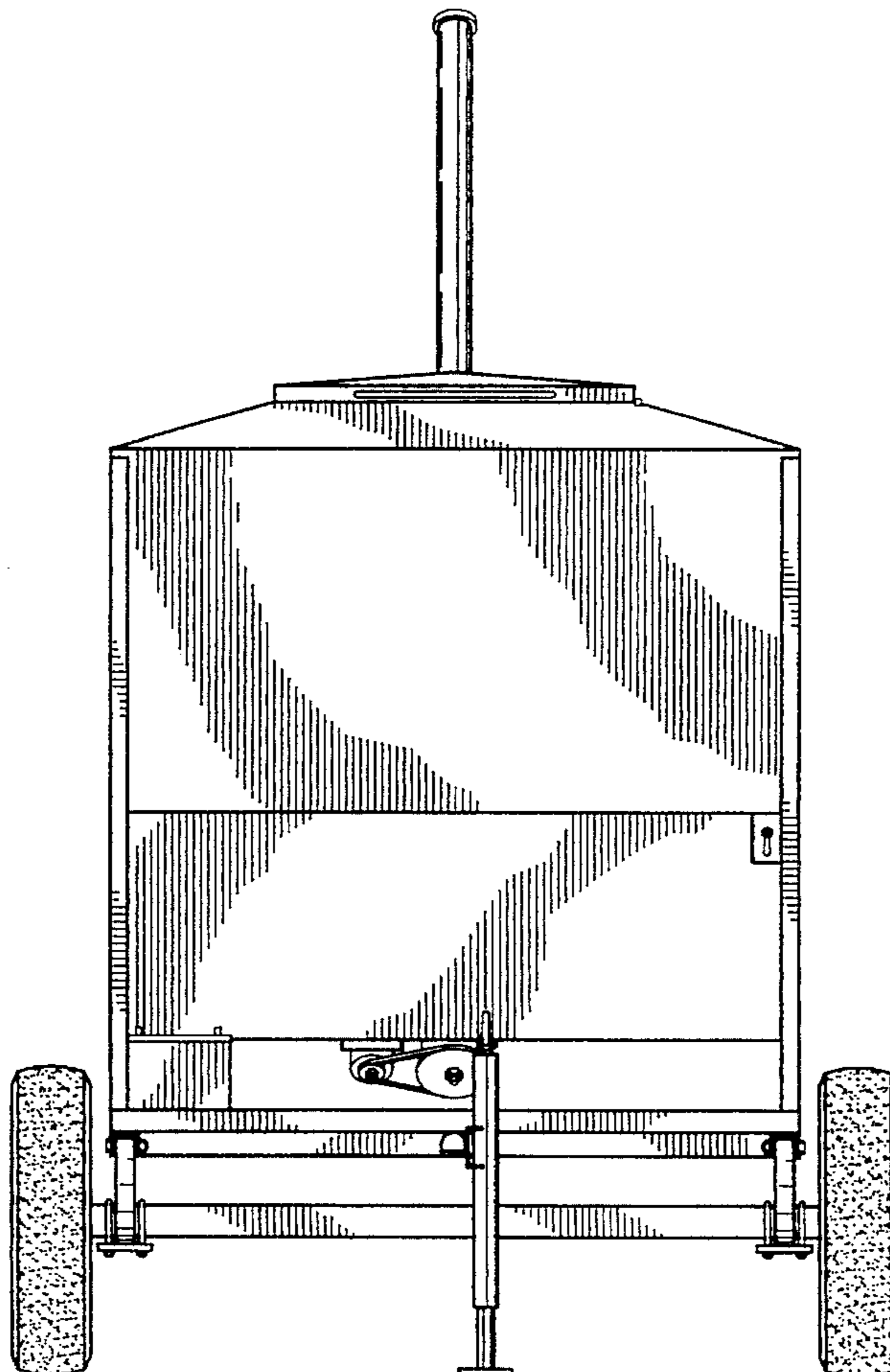


FIG. 2

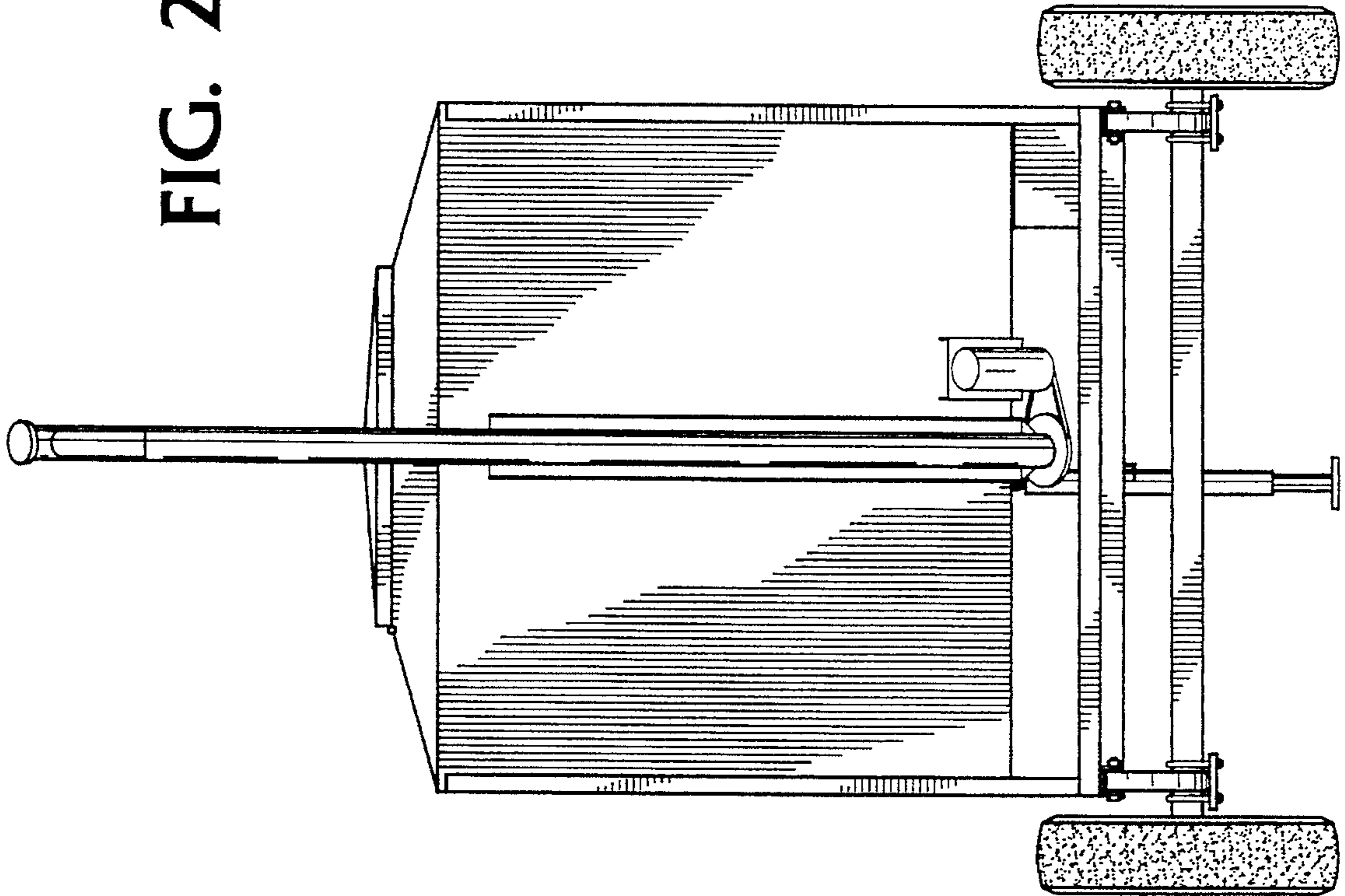


FIG. 1

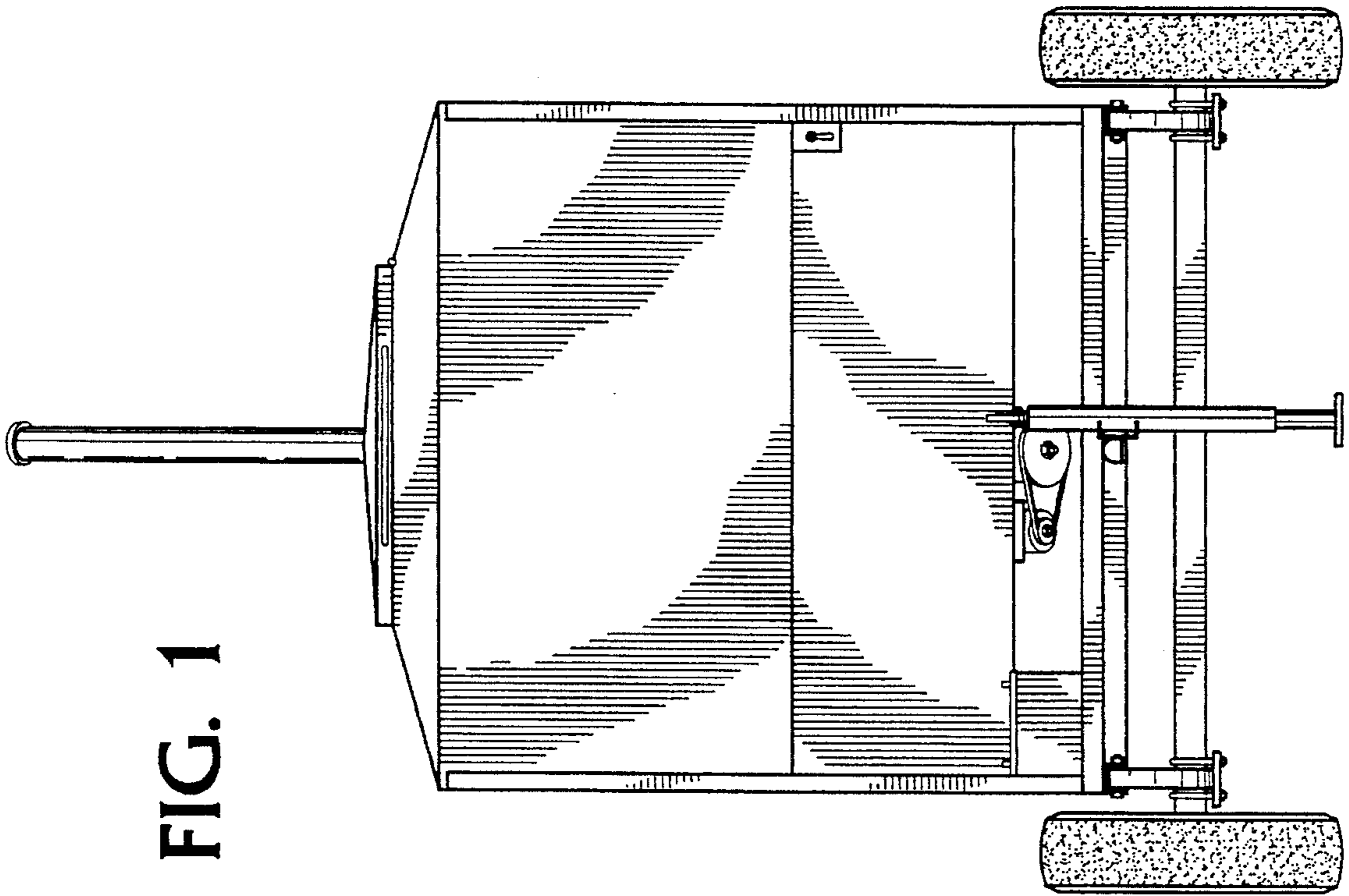
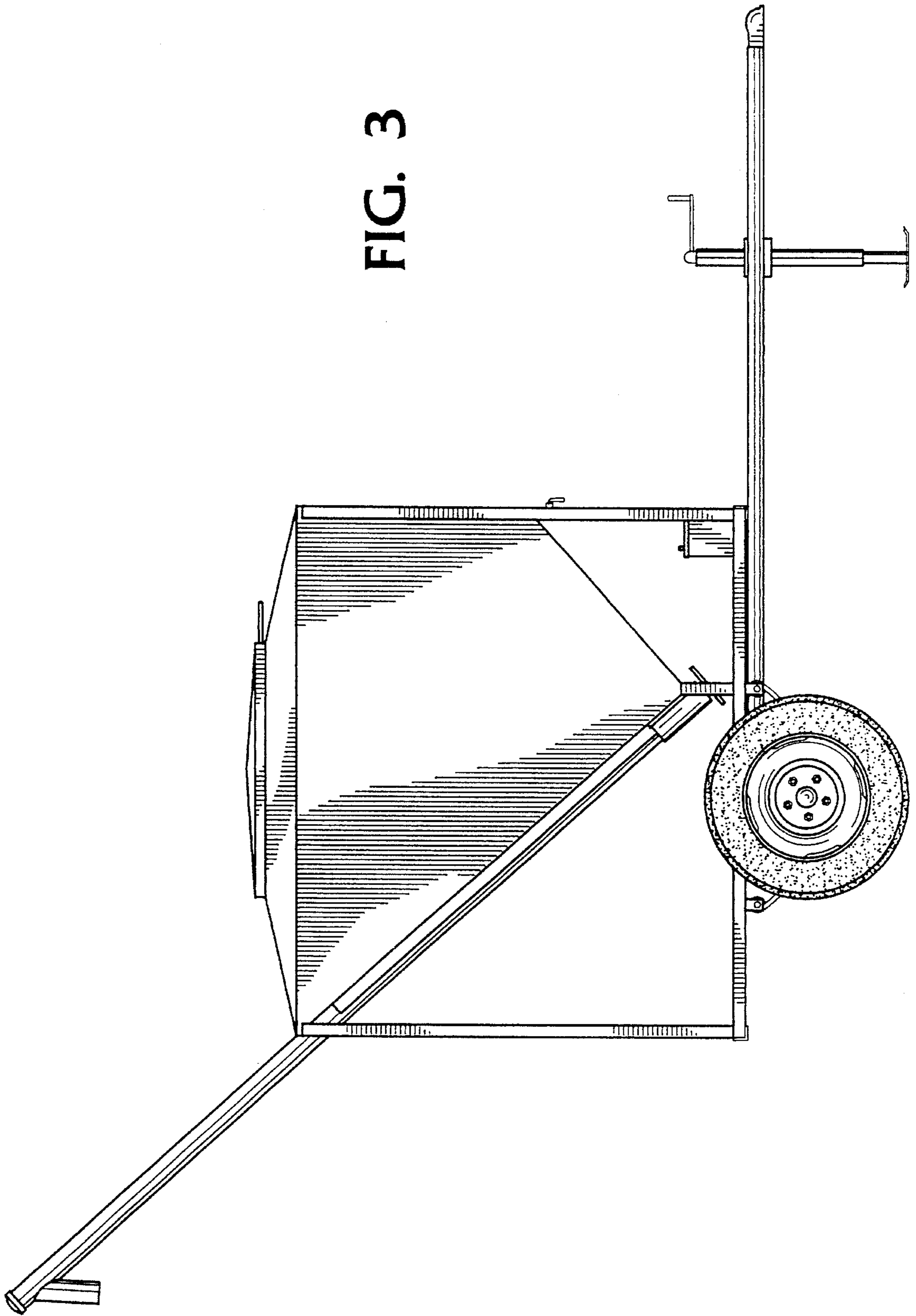


FIG. 3



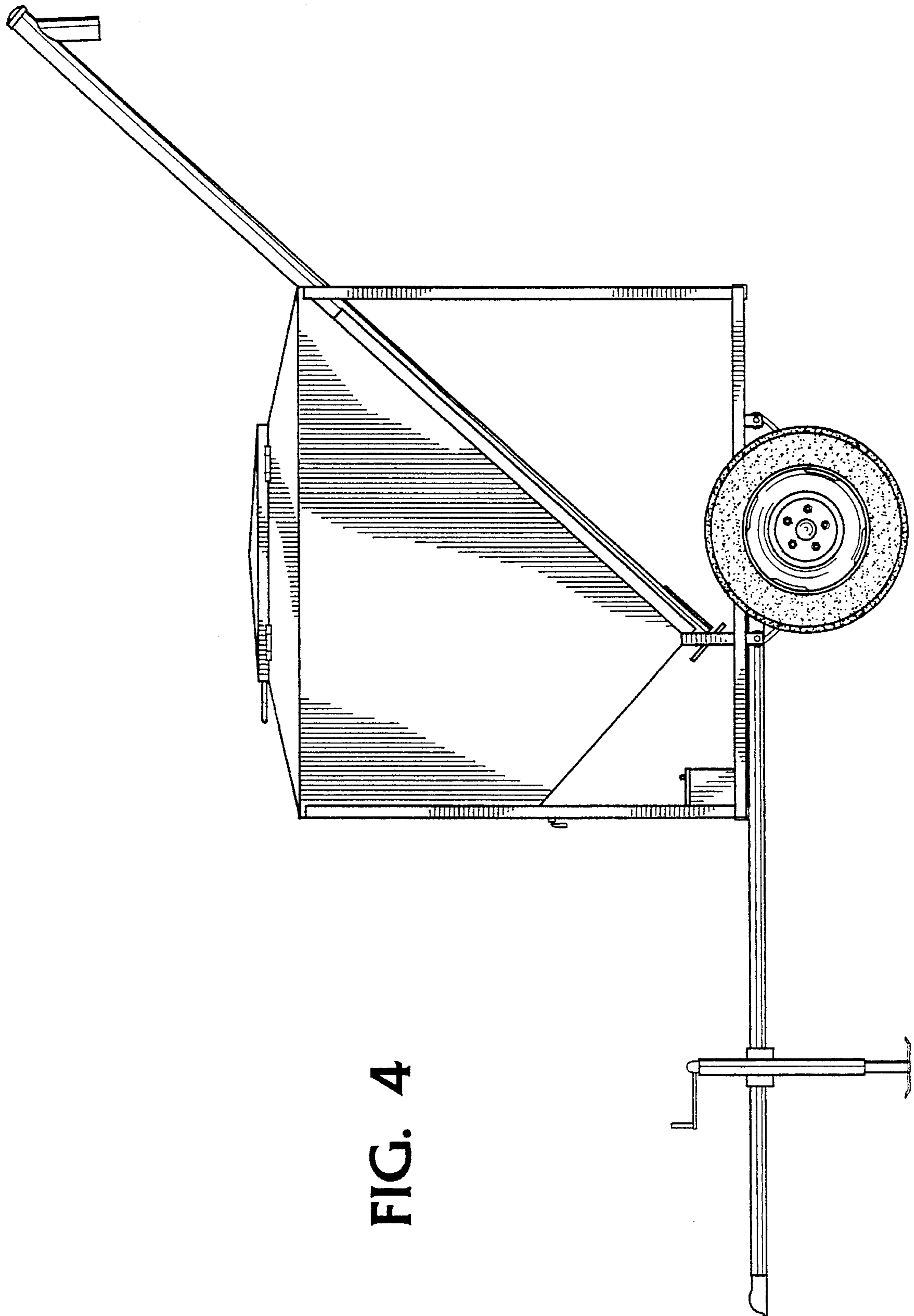


FIG. 4

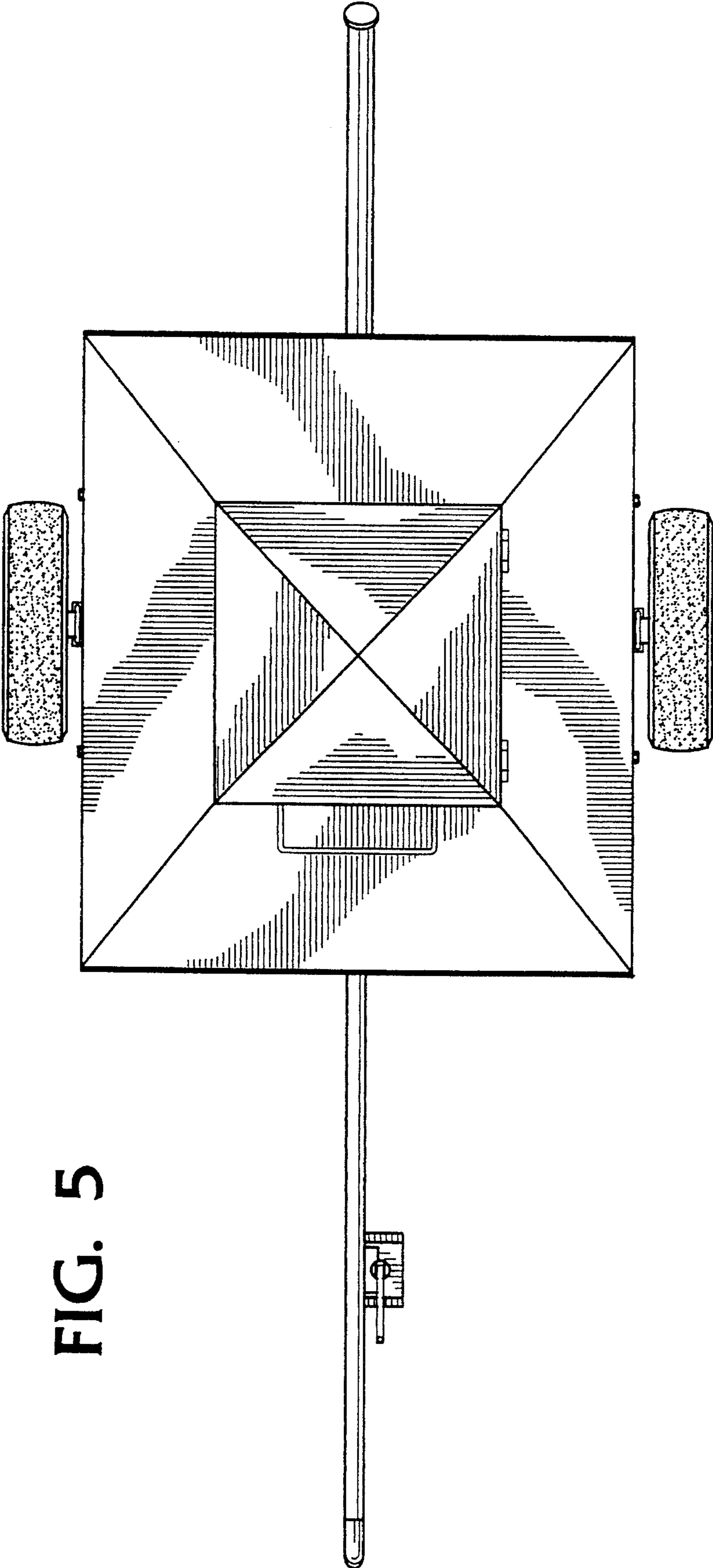


FIG. 5

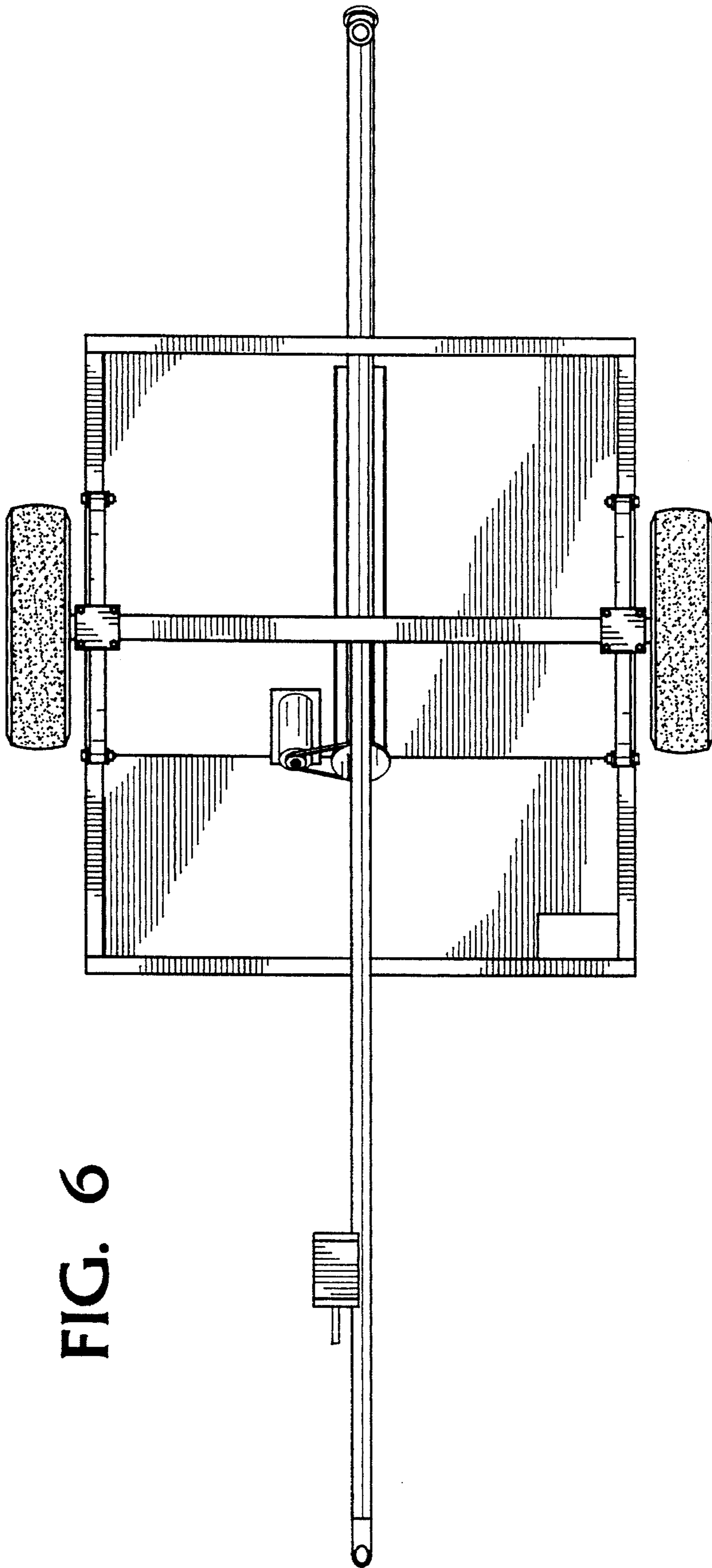


FIG. 6