



US00D367069S

United States Patent [19]

[11] Patent Number: **Des. 367,069**

Thom, Jr. et al.

[45] Date of Patent: ****Feb. 13, 1996**

[54] PILLOW BLOCK BEARING HOUSING

Attorney, Agent, or Firm—Michael H. Minns

[75] Inventors: **Kelsey C. Thom, Jr.**, Cedar Falls;
William S. Olson, Evansdale, both of Iowa

[57] CLAIM

The ornamental design for a pillow block bearing housing, as shown and described.

[73] Assignee: **California Pellet Mill Company**, San Francisco, Calif.

DESCRIPTION

[**] Term: **14 Years**

FIG. 1 is a perspective view of a pillow block bearing housing according to the present invention;
FIG. 2 is a front view of a pillow block bearing housing according to the present invention;
FIG. 3 is a rear view of a pillow block bearing housing according to the present invention;
FIG. 4 is a left side view of a pillow block bearing housing according to the present invention;
FIG. 5 is a right side view of a pillow block bearing housing according to the present invention;
FIG. 6 is a top view of a pillow block bearing housing according to the present invention; and,
FIG. 7 is a bottom view of pillow block bearing housing according to the present invention.

[21] Appl. No.: **38,885**

[22] Filed: **May 15, 1995**

[52] U.S. Cl. **D15/143**

[58] Field of Search D15/143; 384/428-444,
384/448, 541, 478, 474, 584

The broken lines are for purposes of illustration and form no part of the claimed design.

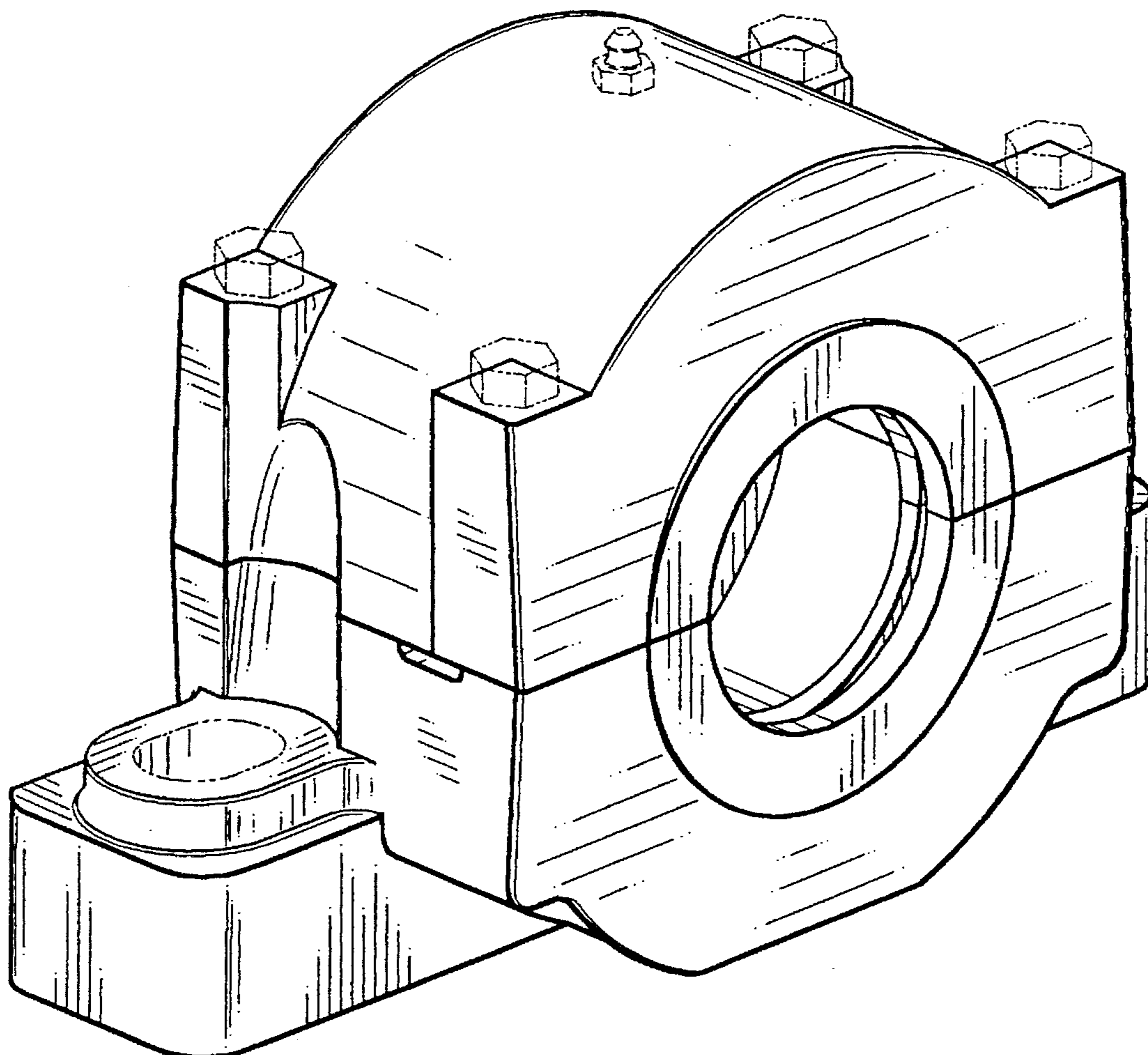
[56] References Cited

U.S. PATENT DOCUMENTS

D. 32,591	4/1900	Pessano	D15/143
D. 269,786	7/1983	Ostling	D15/143
4,042,283	8/1977	Cain et al.	384/584 X
4,496,199	1/1985	Vertenstein et al.	384/474

Primary Examiner—Antoine Duval Davis

1 Claim, 3 Drawing Sheets



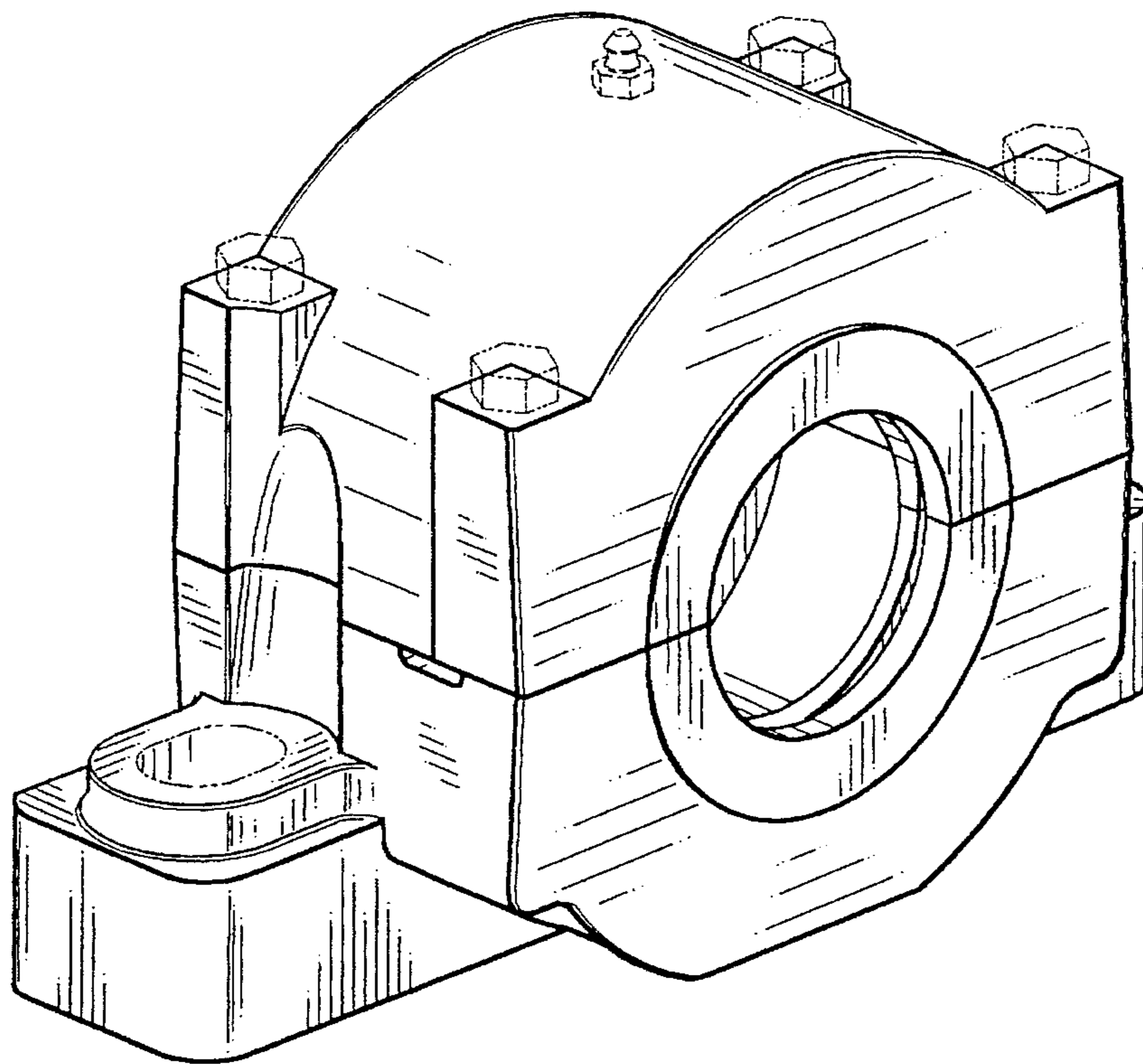


FIG. 1

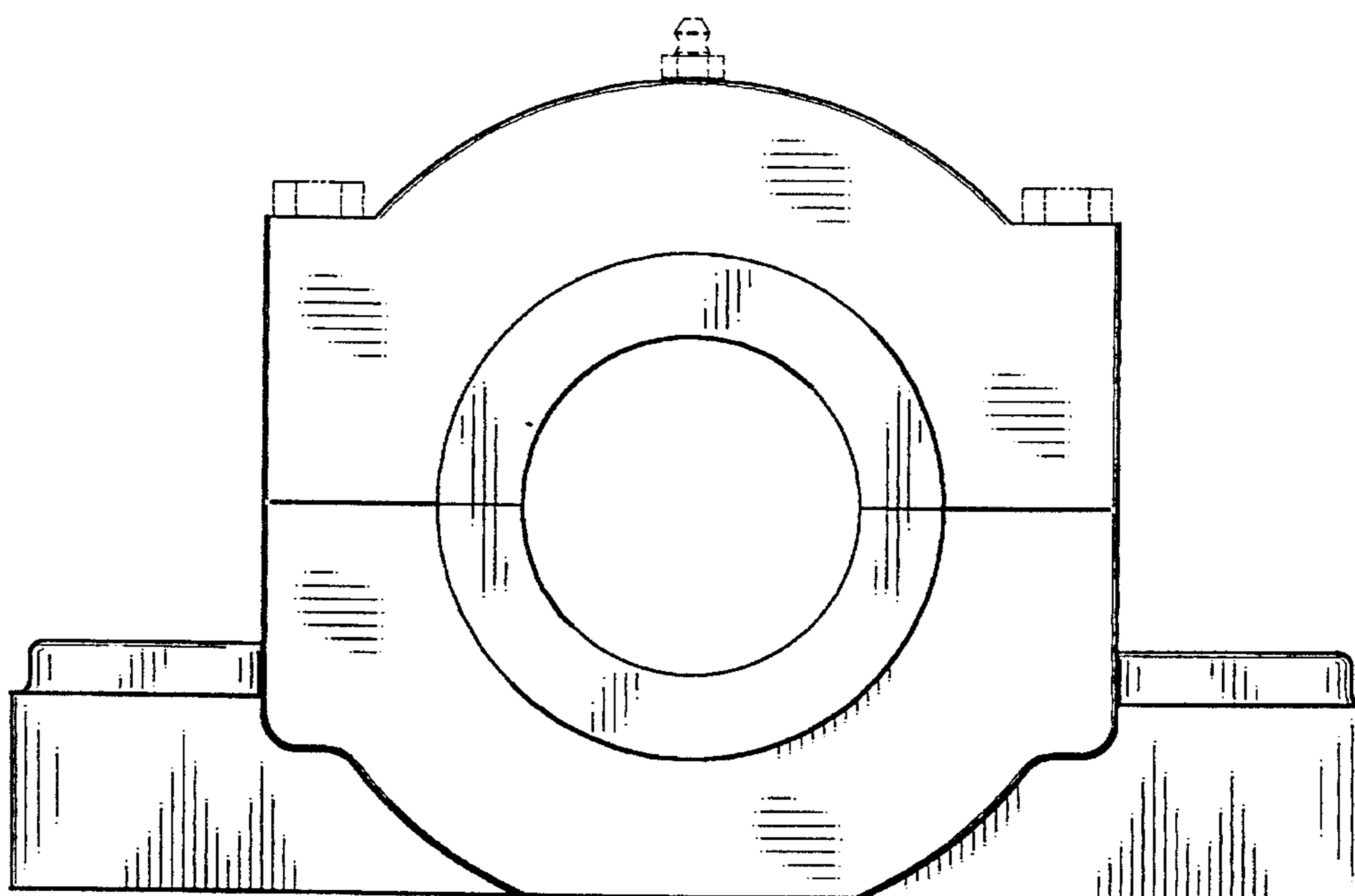


FIG. 2

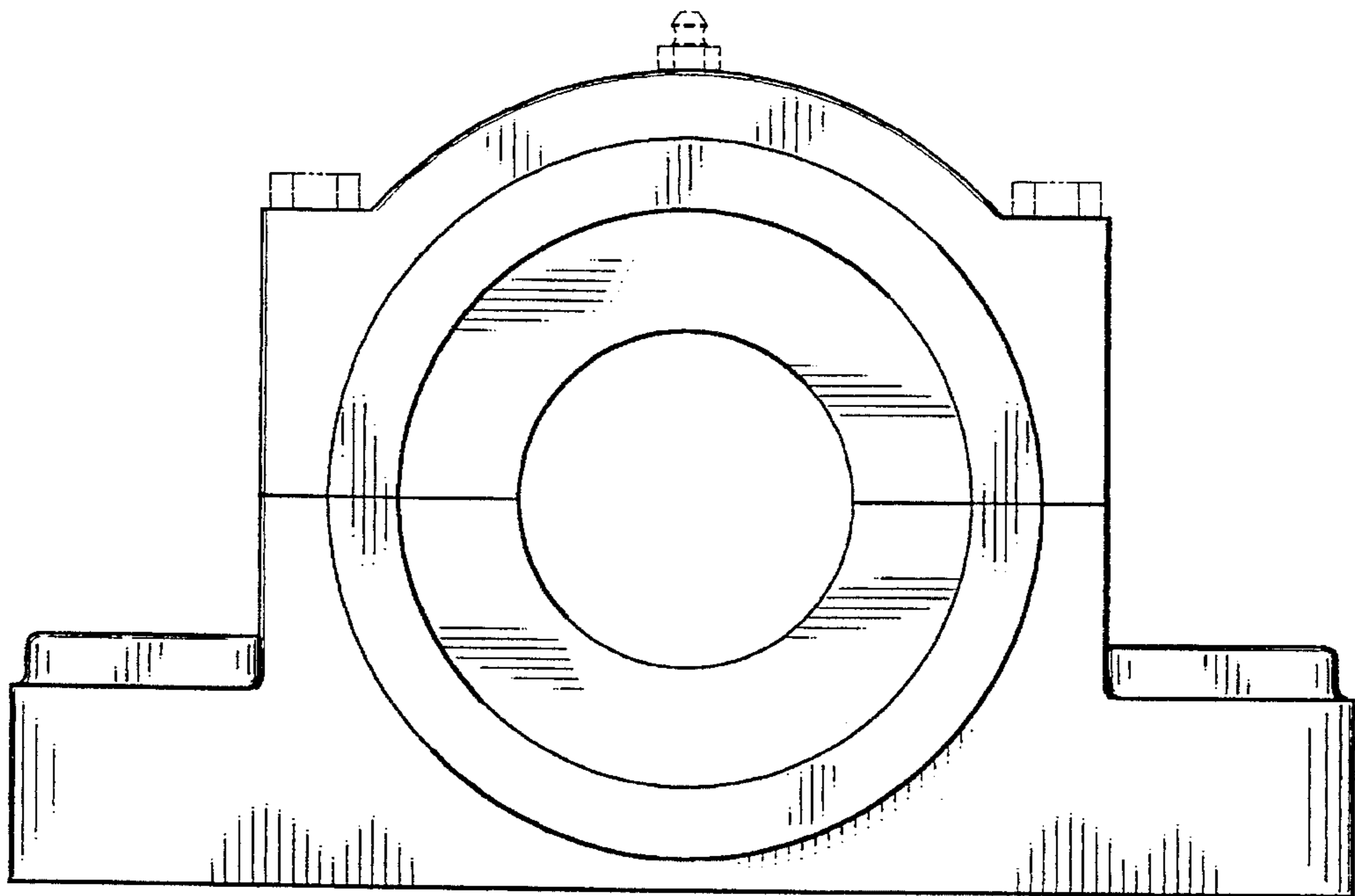


FIG. 3

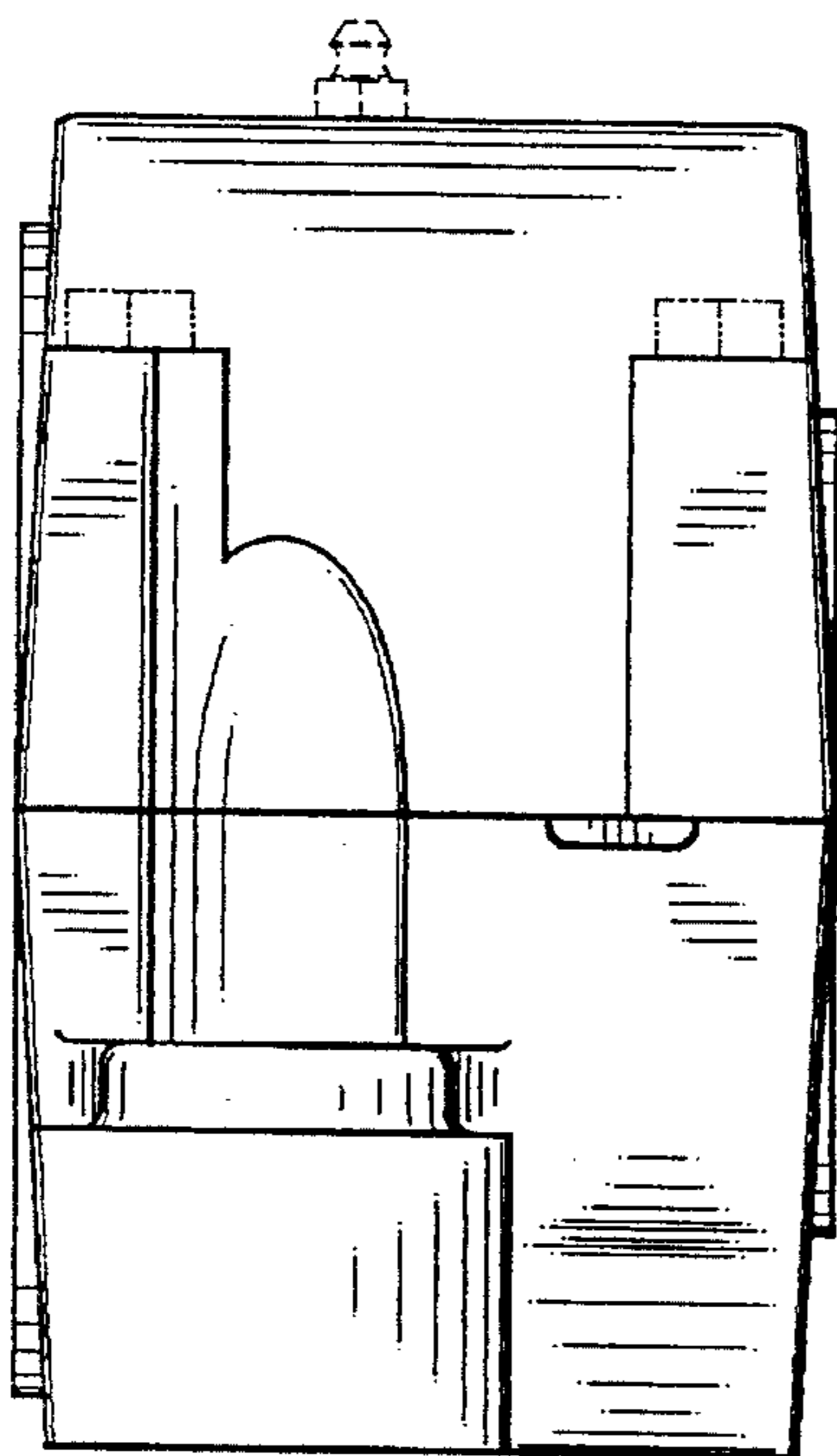


FIG. 4

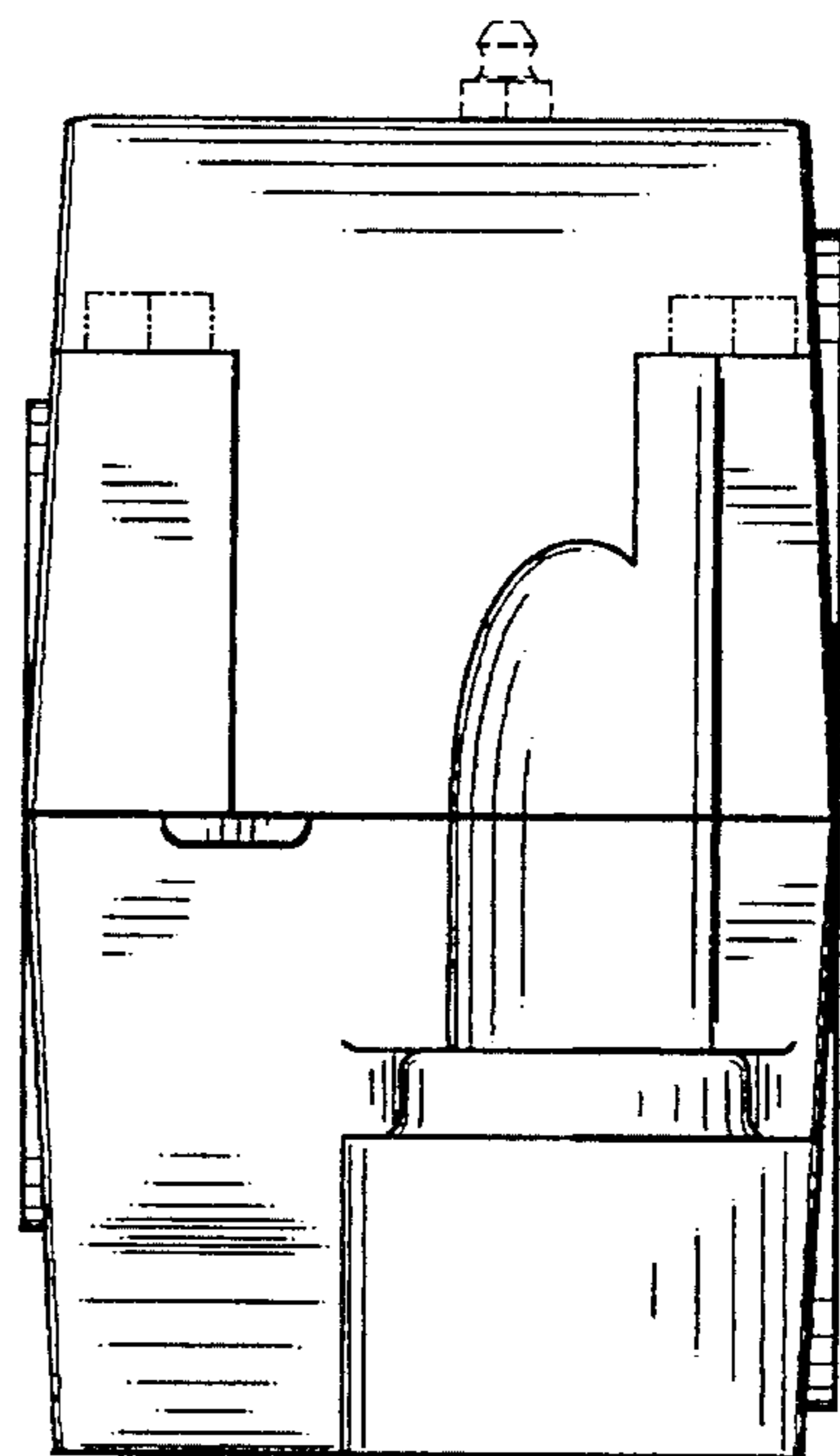


FIG. 5

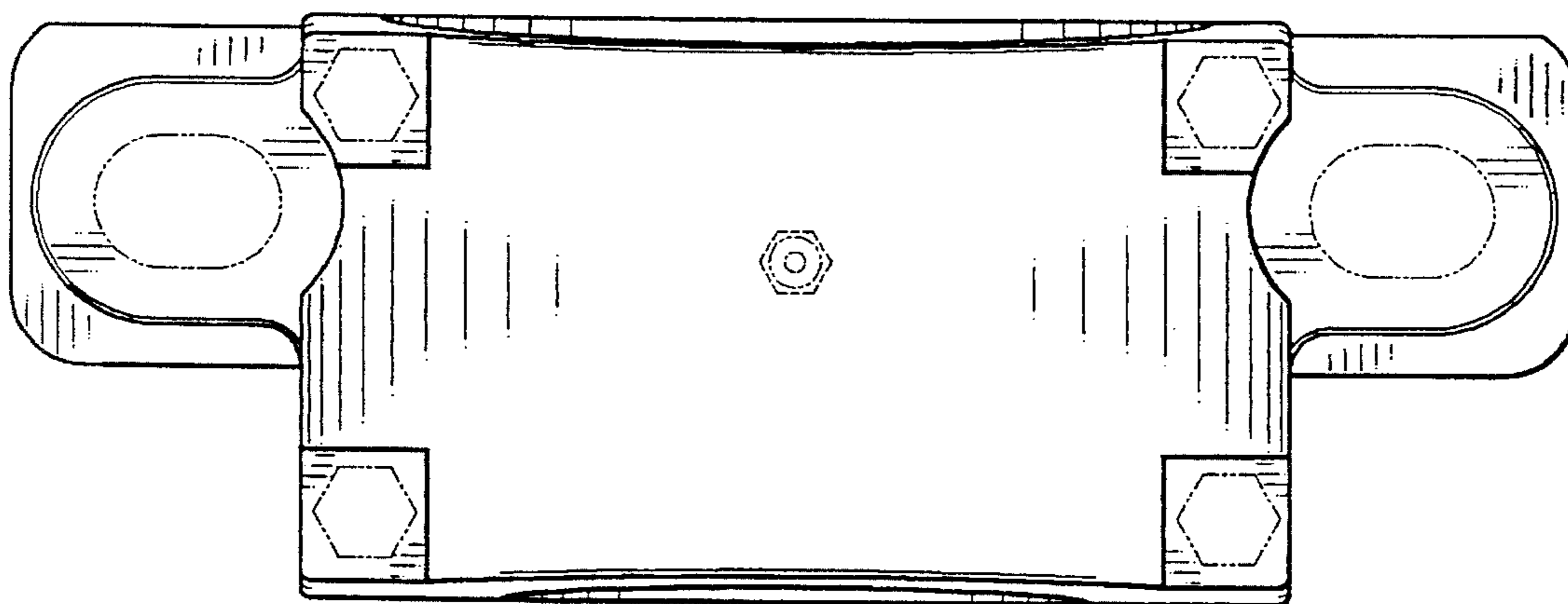


FIG. 6

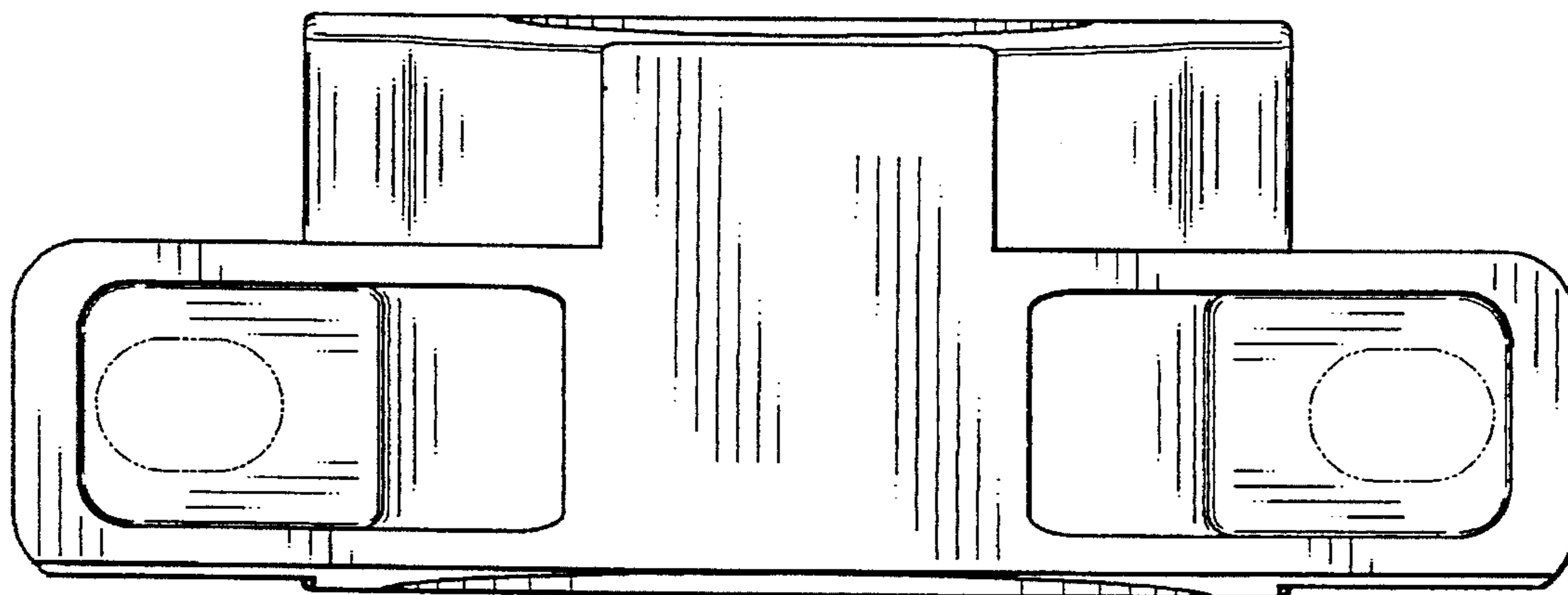


FIG. 7