



US00D367068S

United States Patent [19]
Green

[11] **Patent Number: Des. 367,068**

[45] **Date of Patent: **Feb. 13, 1996**

[54] **RE-FREEZABLE COOLING CARTRIDGE FOR DRINKING BOTTLES**

[76] Inventor: **Dennis E. Green**, 102 Falcon Hills Dr., Highlands Ranch, Colo. 80126

[**] Term: **14 Years**

[21] Appl. No.: **35,444**

[22] Filed: **Feb. 27, 1995**

[52] U.S. Cl. **D15/90**

[58] **Field of Search** D15/79, 89-90; 62/1, 66, 457.1, 457.3, 457.9; 249/105; D7/605-608; D9/516, 542, 572, 574

[56] **References Cited**

U.S. PATENT DOCUMENTS

D. 336,595	6/1993	Jones	D7/605
D. 351,532	10/1994	Wolfenden	D15/90
2,160,165	5/1939	Patterson	62/457.1

Primary Examiner—Sandra L. Morris
Attorney, Agent, or Firm—Dorr, Carson, Sloan & Birney

[57] **CLAIM**

The ornamental design for a re-freezable cooling cartridge for drinking bottles, as shown and described.

DESCRIPTION

FIG. 1 is a perspective view of the re-freezable cooling

cartridge for drinking bottles, showing my new design;

FIG. 2 is a right side view of the cooling cartridge, with the left side, front, and rear views being the same as FIG. 2;

FIG. 3 is a top view of the cooling cartridge;

FIG. 4 is a bottom view of the cooling cartridge;

FIG. 5 is a perspective view of a second embodiment of the re-freezable cooling cartridge for drinking bottles;

FIG. 6 is a right side view of the second embodiment of the cooling cartridge, with the left side view being a mirror image of FIG. 6;

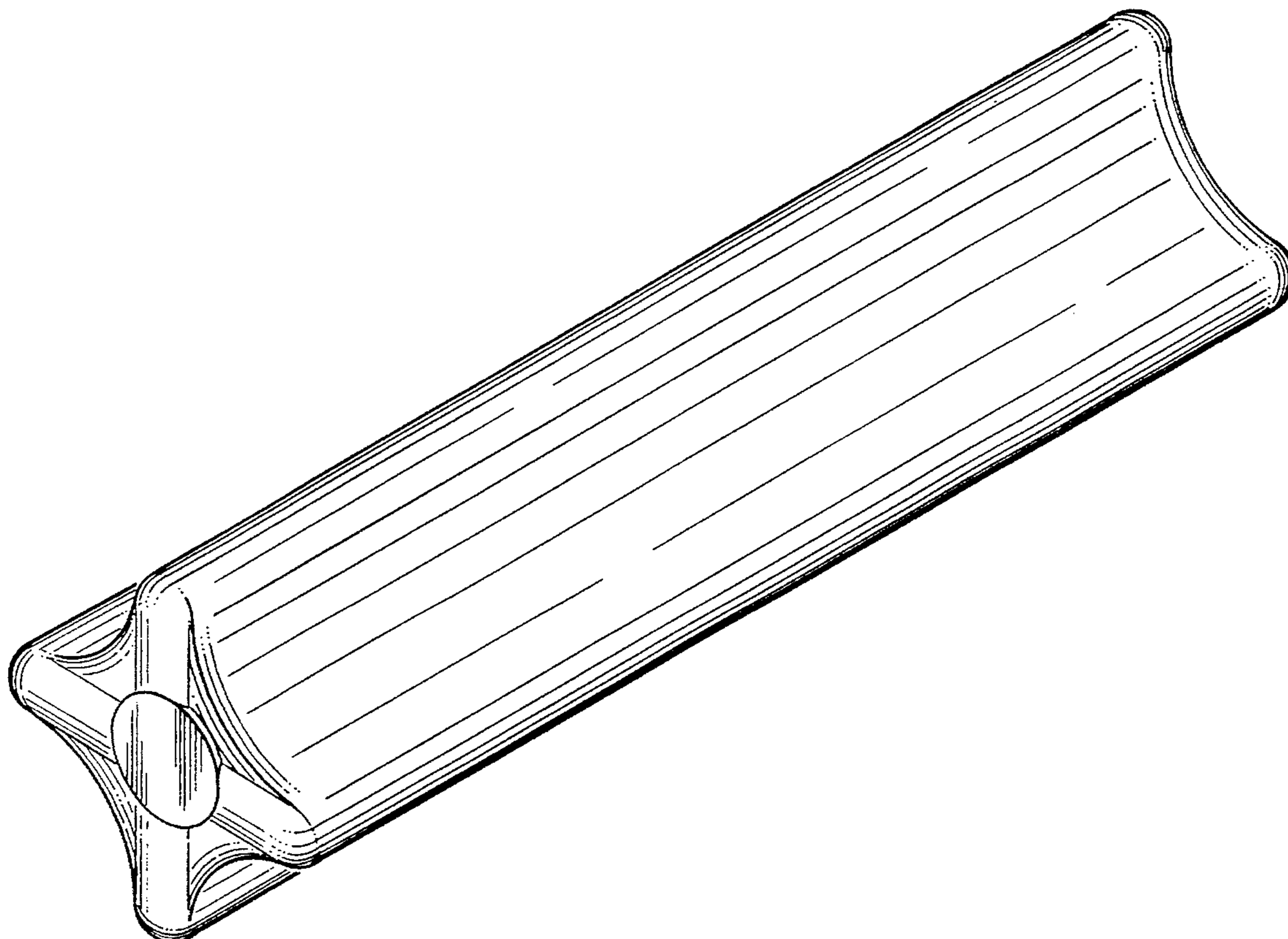
FIG. 7 is a top view of the second embodiment of the cooling cartridge;

FIG. 8 is a bottom view of the second embodiment of the cooling cartridge;

FIG. 9 is a front view of the second embodiment of the cooling cartridge; and,

FIG. 10 is a rear view of the second embodiment of the cooling cartridge.

1 Claim, 5 Drawing Sheets



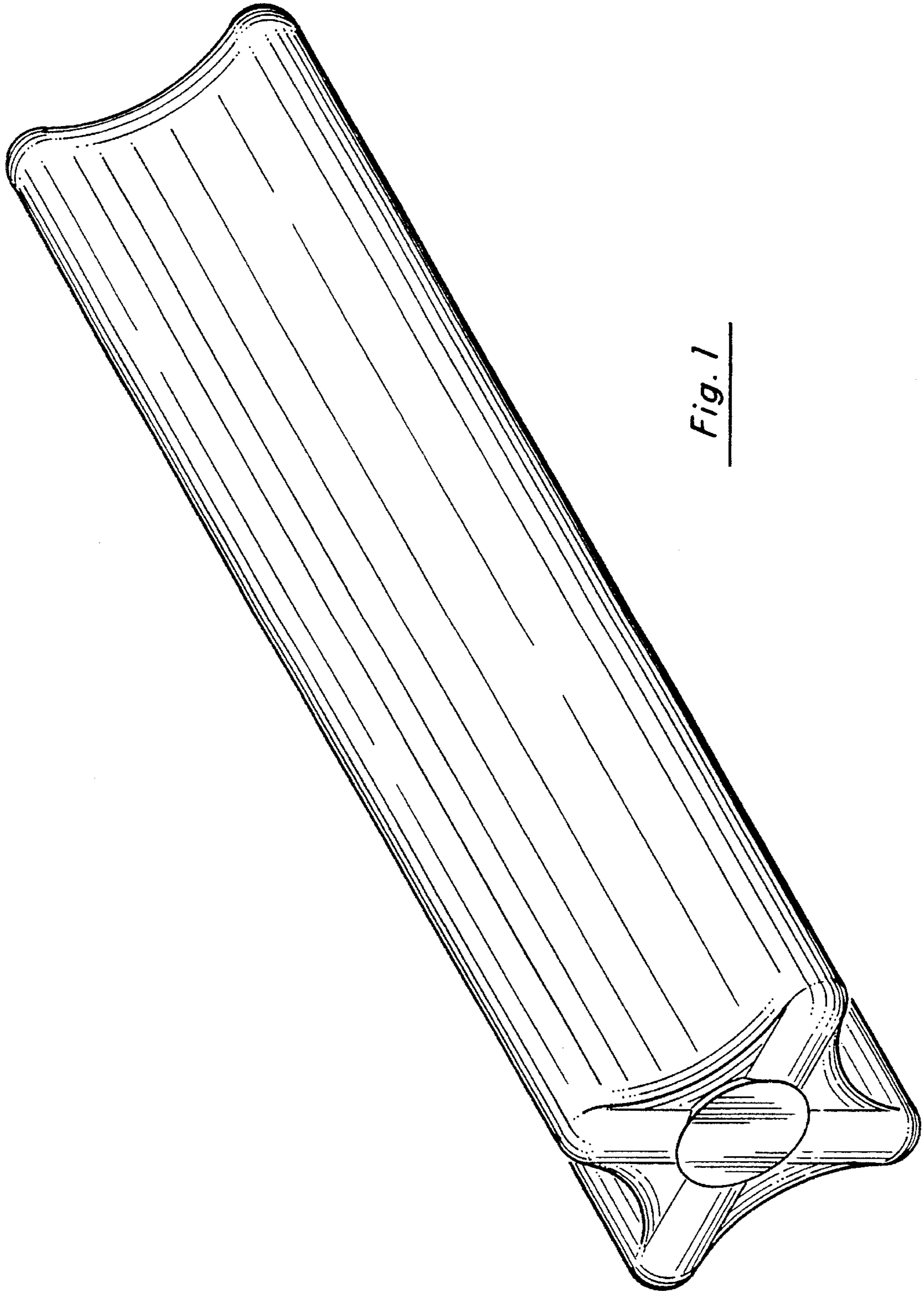


Fig. 1

Fig. 2

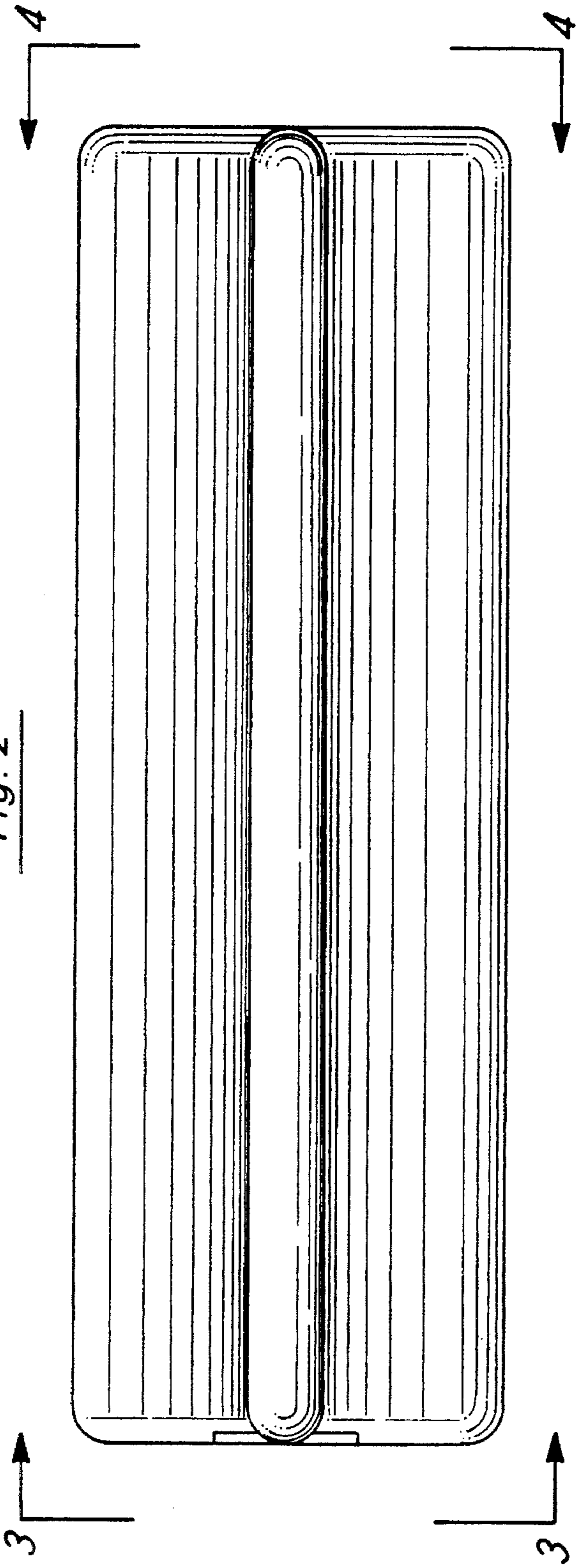


Fig. 4

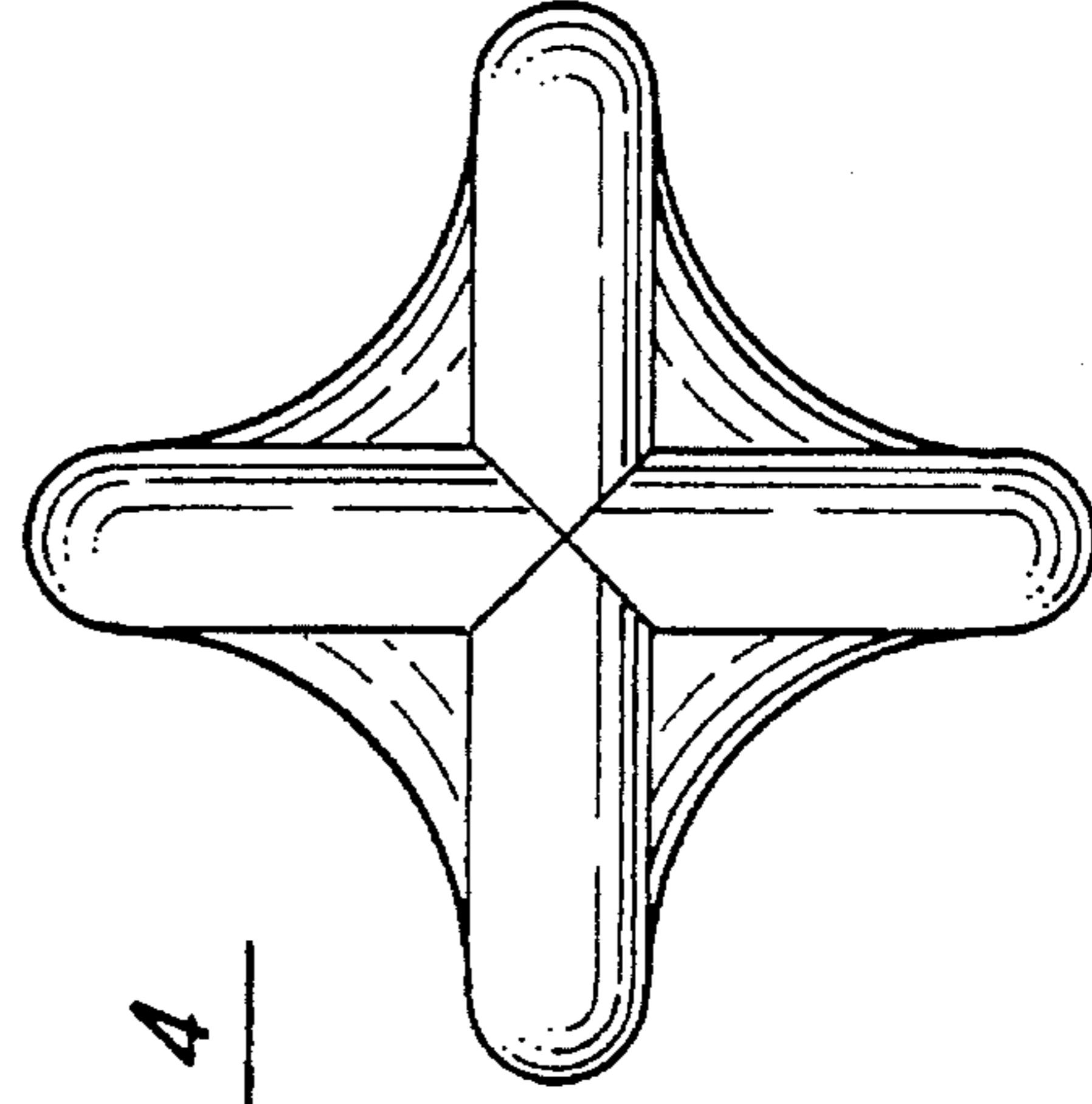
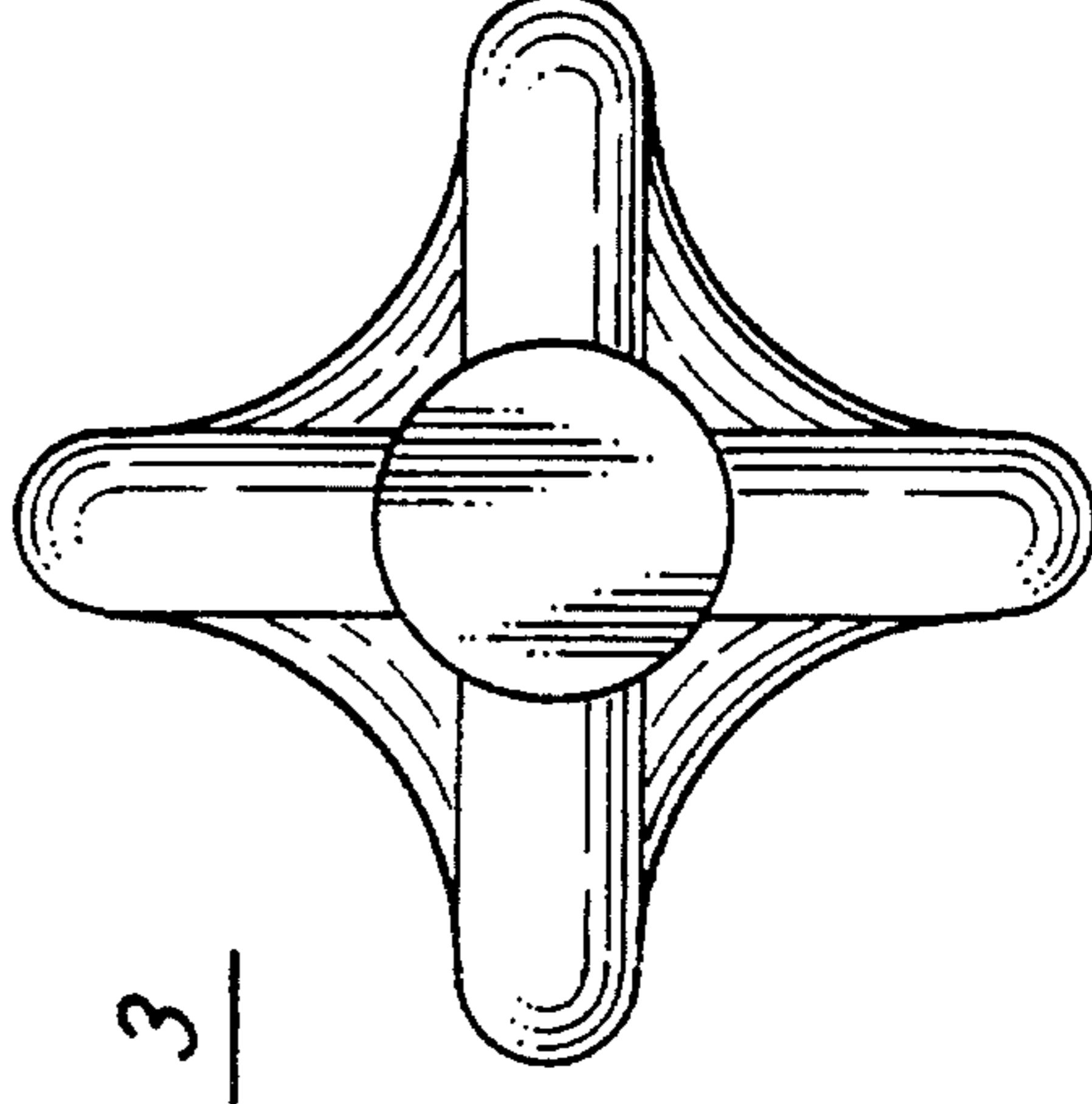


Fig. 3



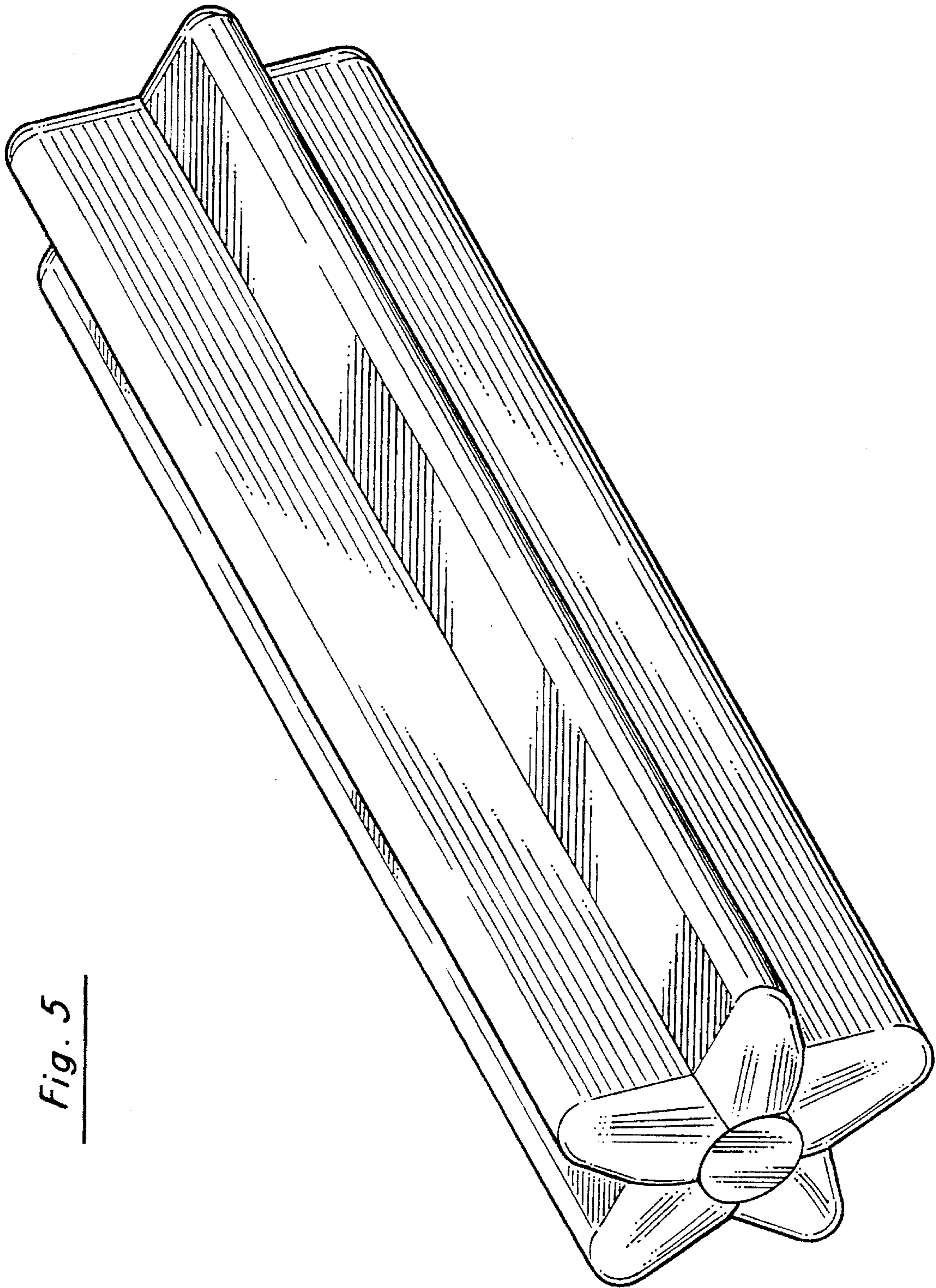


Fig. 5

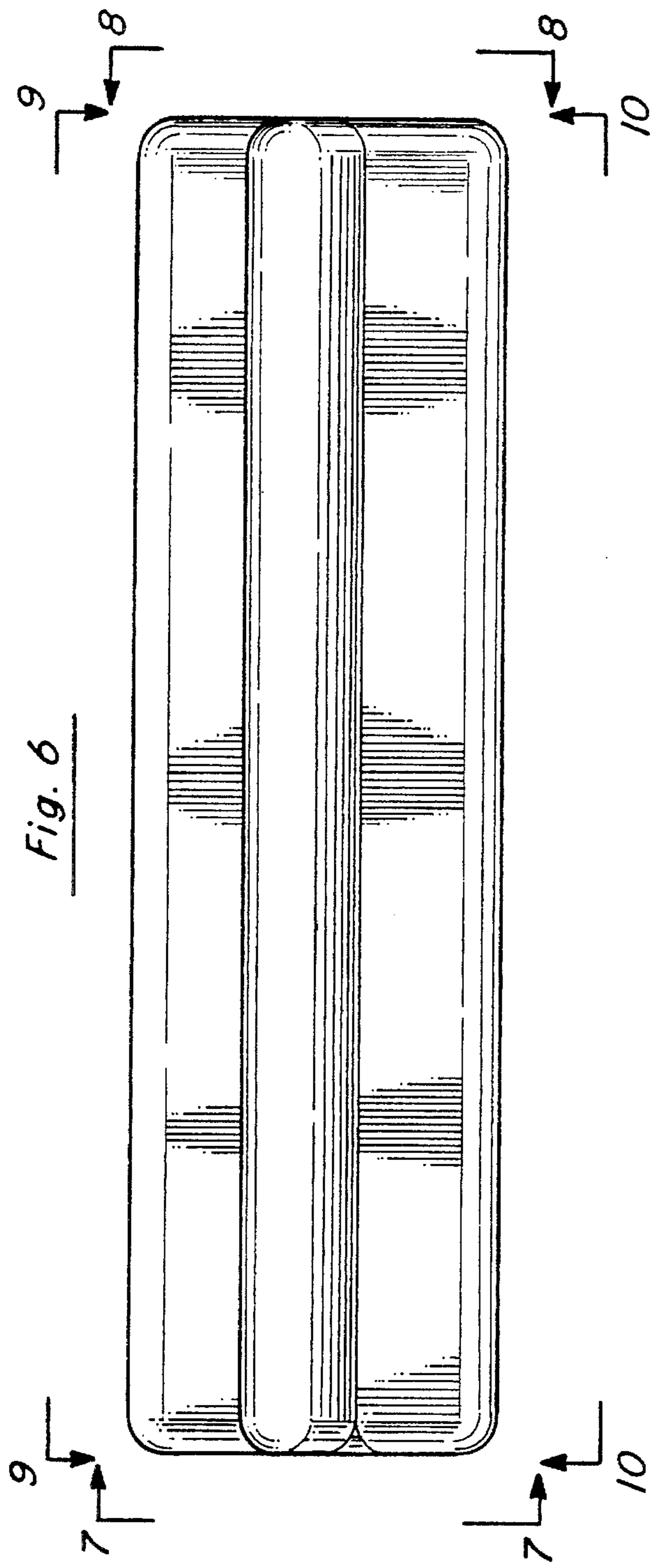


Fig. 6

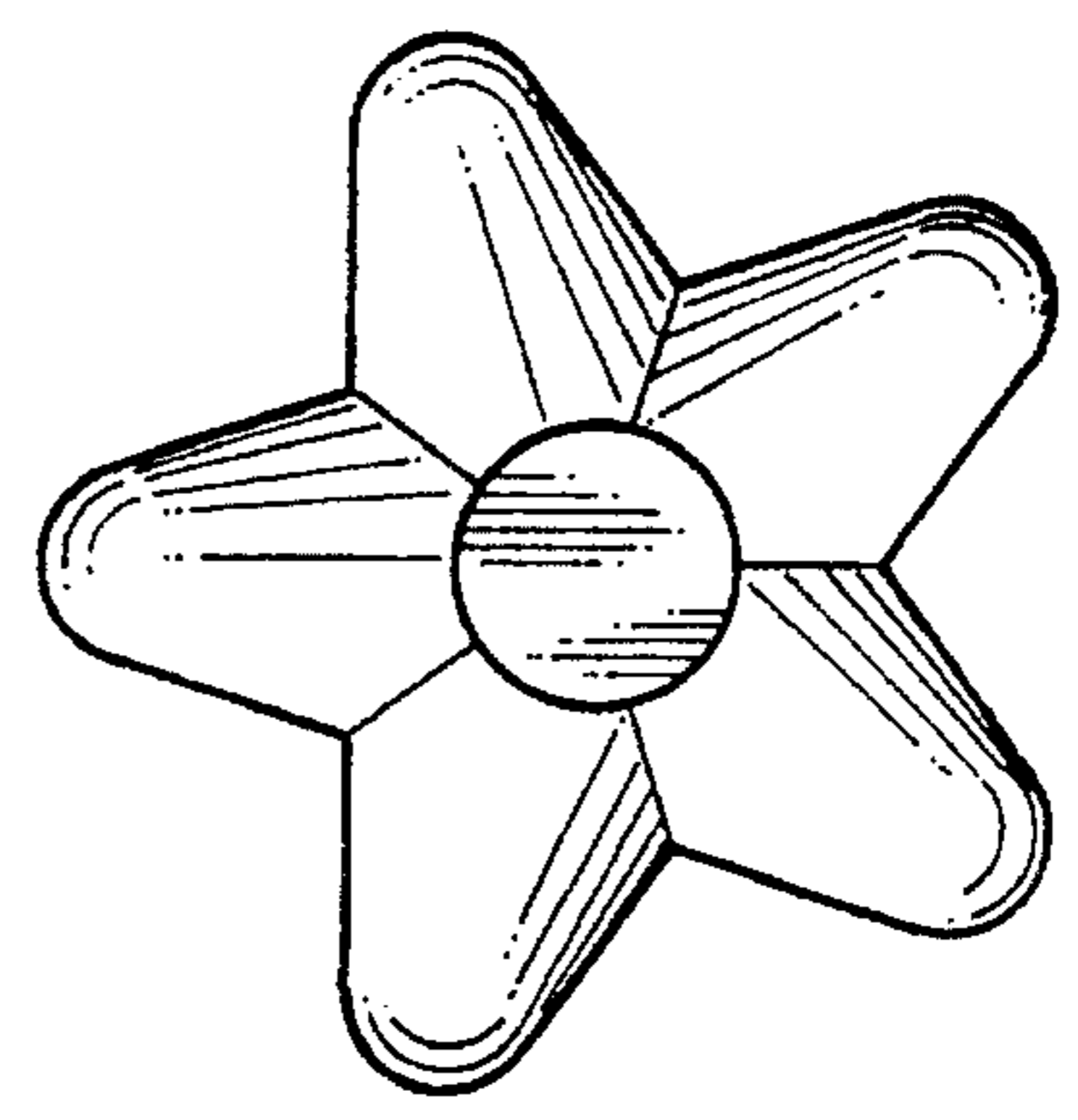


Fig. 7

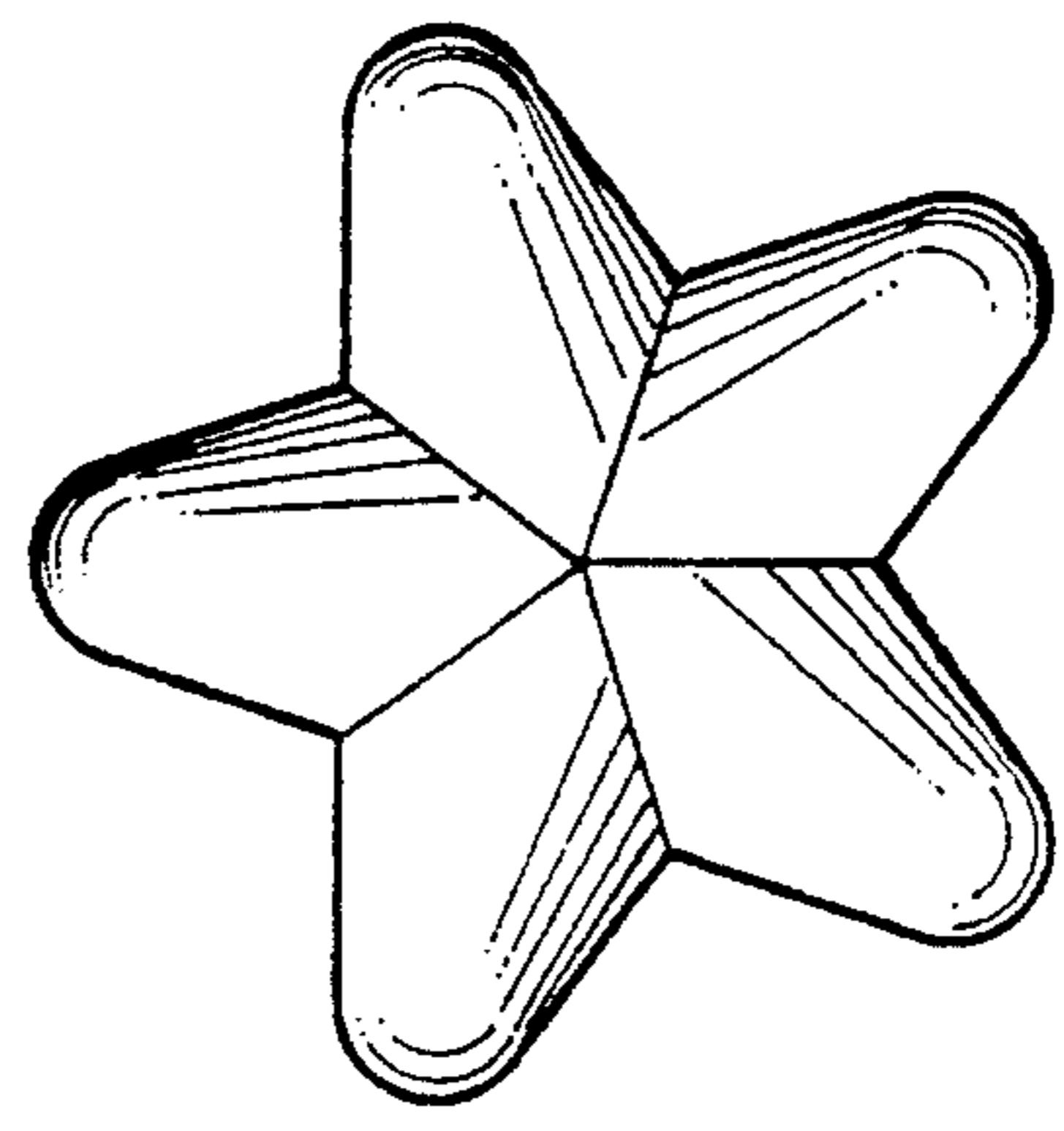


Fig. 8

Fig. 9

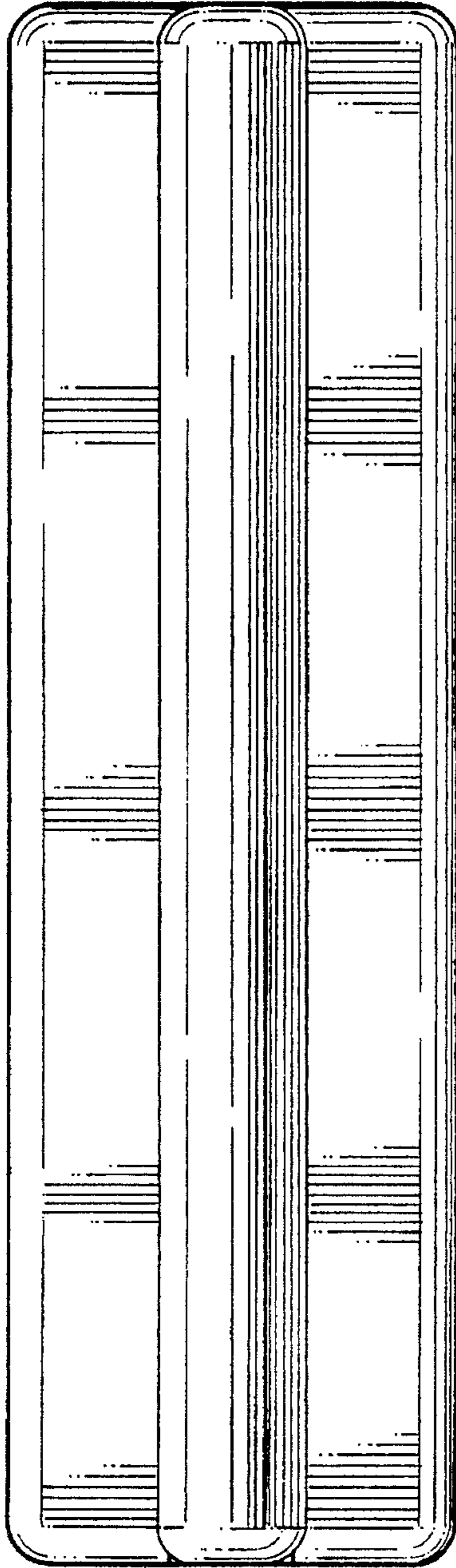


Fig. 10

