



US00D367067S

# United States Patent [19] Speer

[11] Patent Number: **Des. 367,067**

[45] Date of Patent: **\*\*Feb. 13, 1996**

[54] **OIL FILLER**  
[76] Inventor: **James L. Speer**, 1490 E. Private Rd.  
380 North, North Vernon, Ind. 47265  
[\*\*] Term: **14 Years**

4,901,890 2/1990 Mivelaz ..... 141/330 X  
5,123,461 6/1992 Belokin et al. .  
5,195,567 3/1993 Tyree, Jr. .  
5,259,426 11/1993 Burleigh et al. .  
5,316,059 5/1994 Lahnan et al. .

[21] Appl. No.: **31,730**  
[22] Filed: **Dec. 5, 1994**  
[52] U.S. Cl. .... **D15/150**  
[58] Field of Search ..... D15/150; 141/98,  
141/331-345

*Primary Examiner*—Antoine Duval Davis  
*Attorney, Agent, or Firm*—Clifford W. Browning; Woodard,  
Emhardt, Naughton, Moriarty & McNett

### [57] CLAIM

The ornamental design for an oil filler, as shown and described.

### [56] References Cited

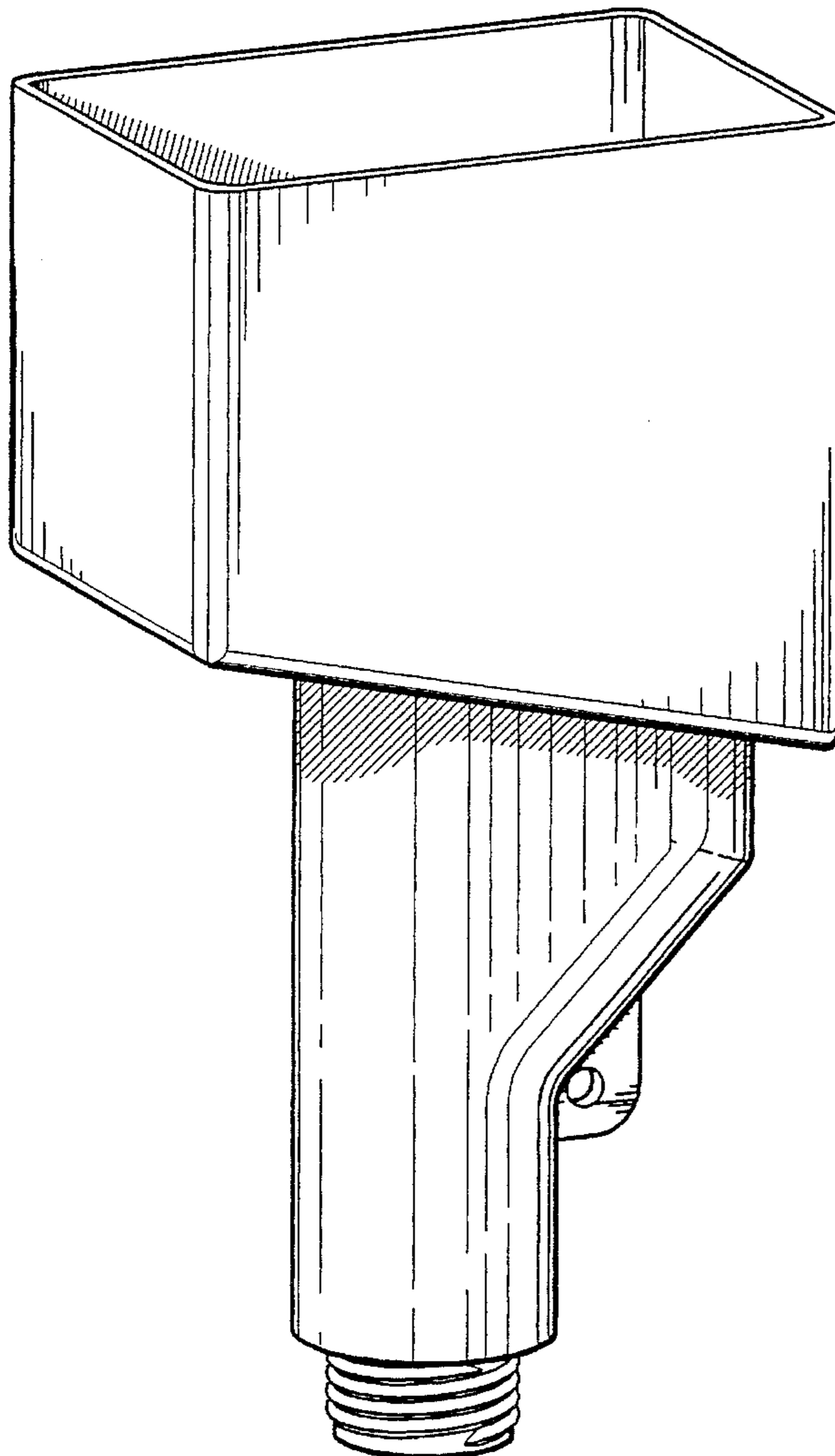
### DESCRIPTION

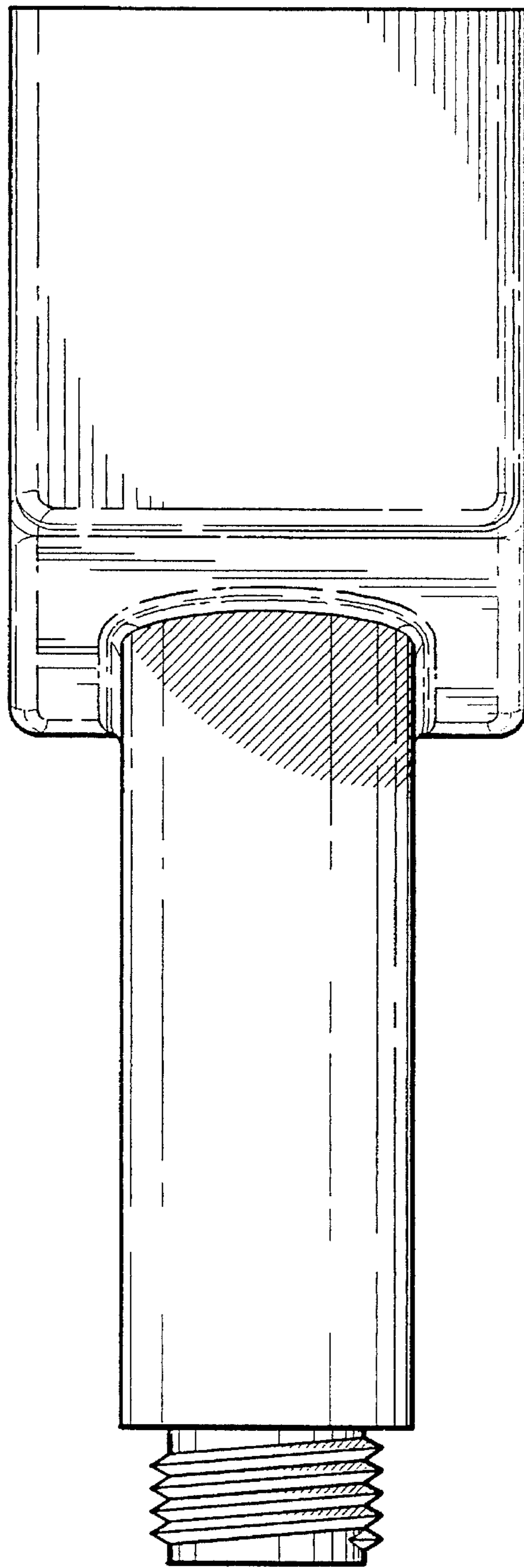
#### U.S. PATENT DOCUMENTS

D. 340,467 10/1993 Pollak et al. .... D15/150  
D. 350,969 9/1994 Chrisco ..... D15/150  
1,316,154 9/1919 Gauss .  
2,578,184 12/1951 Green .  
3,750,222 8/1973 Nowak .  
4,338,983 7/1982 Hatcher .  
4,515,245 5/1985 Salmon .  
4,703,867 11/1987 Schoenhard .

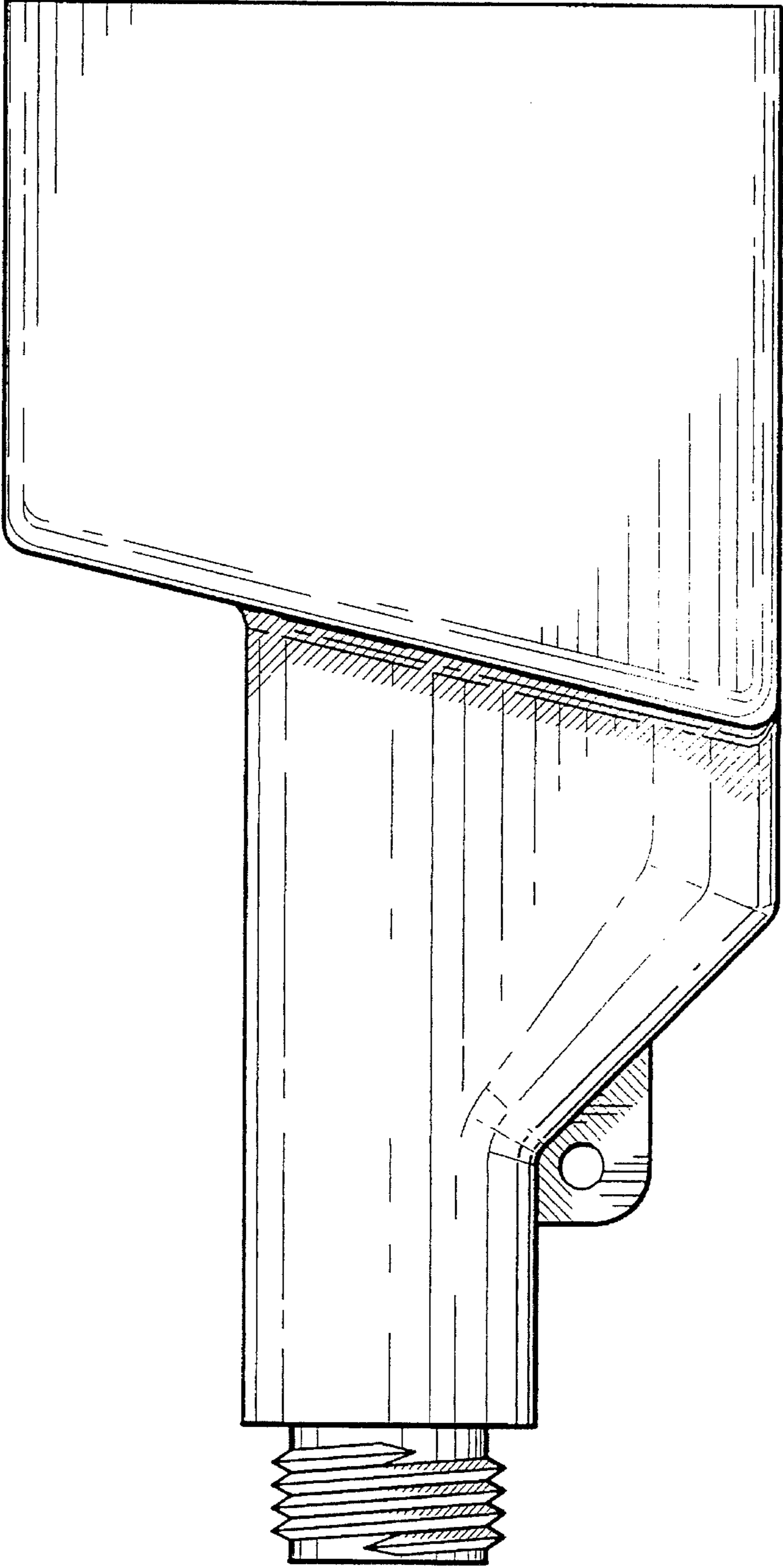
FIG. 1 is a front elevational view of an oil filler, showing my new design;  
FIG. 2 is a right side elevational view;  
FIG. 3 is a bottom plan view;  
FIG. 4 is a top plan view;  
FIG. 5 is a rear elevational view; and,  
FIG. 6 is a perspective view.

**1 Claim, 5 Drawing Sheets**

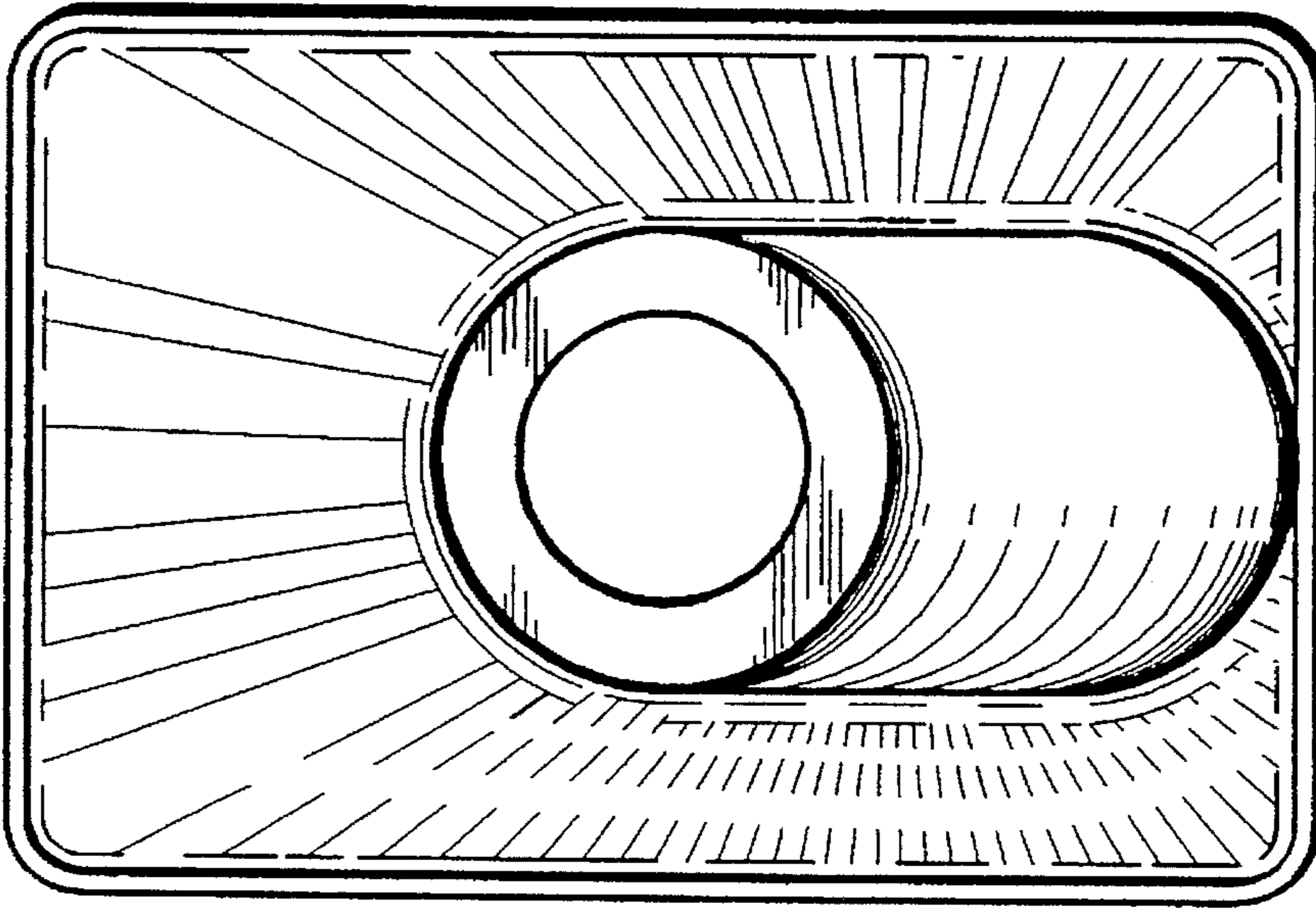




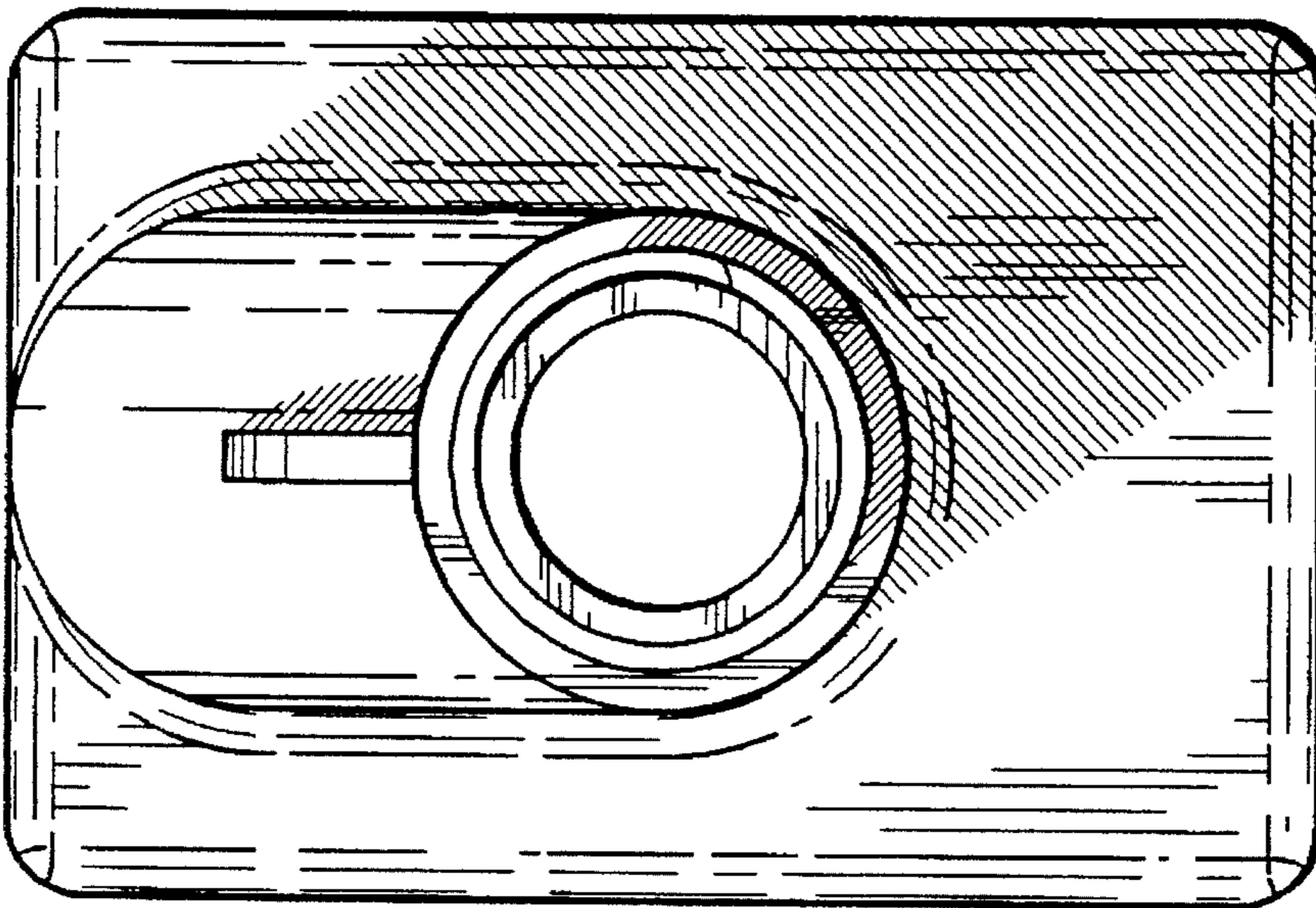
**Fig. 1**



**Fig. 2**

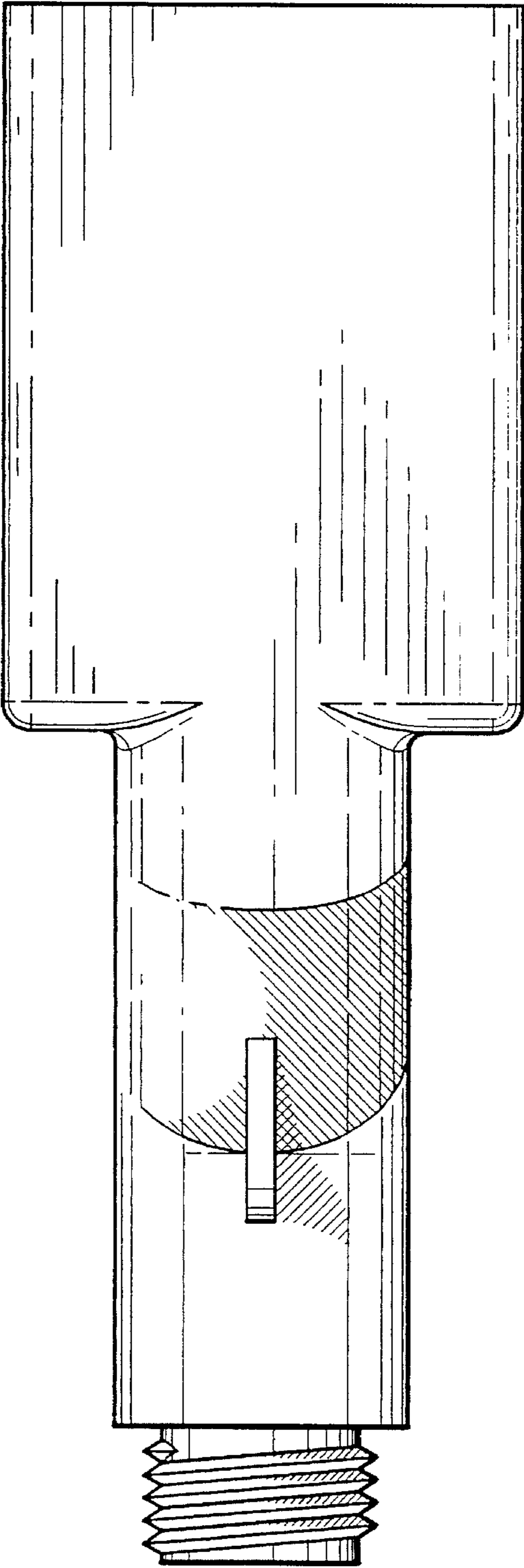


**Fig. 4**

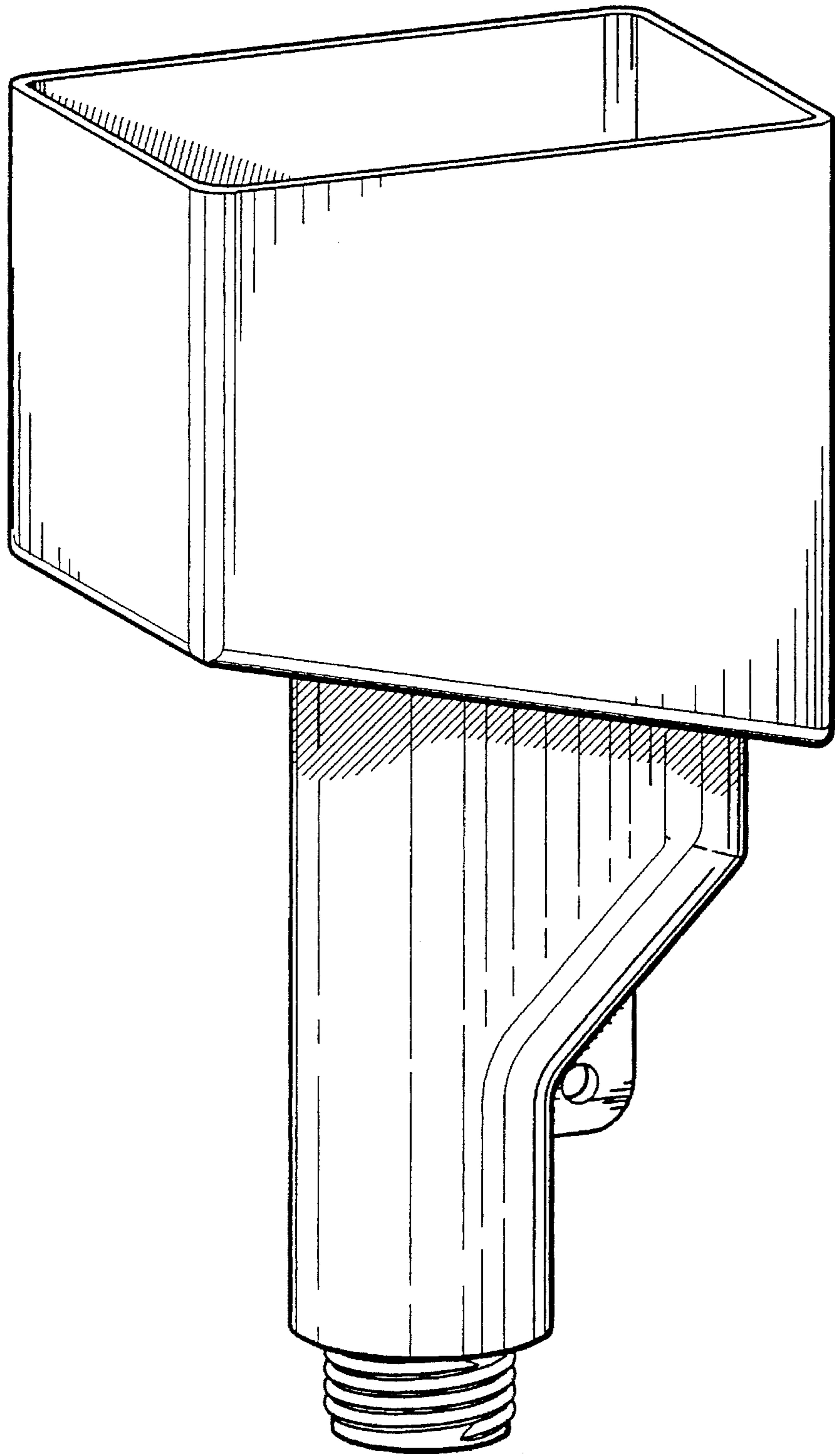


**Fig. 3**





**Fig. 5**



**Fig. 6**