



US00D367066S

United States Patent [19]
Chen

[11] **Patent Number: Des. 367,066**

[45] **Date of Patent: **Feb. 13, 1996**

[54] **LATHE**

D. 357,262 4/1995 Proper D15/130
4,658,681 4/1987 Pollack et al. 82/115

[76] Inventor: **Ruey-Zon Chen**, No. 261, Jen-Hua Rd., Ta-Li City, Taichung Hsien, Taiwan

Primary Examiner—Antoine Duval Davis
Attorney, Agent, or Firm—Marshall & Melhorn

[**] Term: **14 Years**

[57] **CLAIM**

[21] Appl. No.: **32,988**

The ornamental design for a lathe, as shown and described.

[22] Filed: **Jan. 3, 1995**

DESCRIPTION

[52] **U.S. Cl.** **D15/130**

[58] **Field of Search** D15/130; 82/112-121,
82/128, 132, 142, 143, 149, 162, 903; 144/16,
114; 142/7

FIG. 1 is a perspective view of lathe showing my new design;

FIG. 2 is a front elevational view thereof;

FIG. 3 is a rear elevational view thereof;

FIG. 4 is a left side elevational view thereof;

FIG. 5 is a right side elevational view thereof;

FIG. 6 is a top plan view thereof; and,

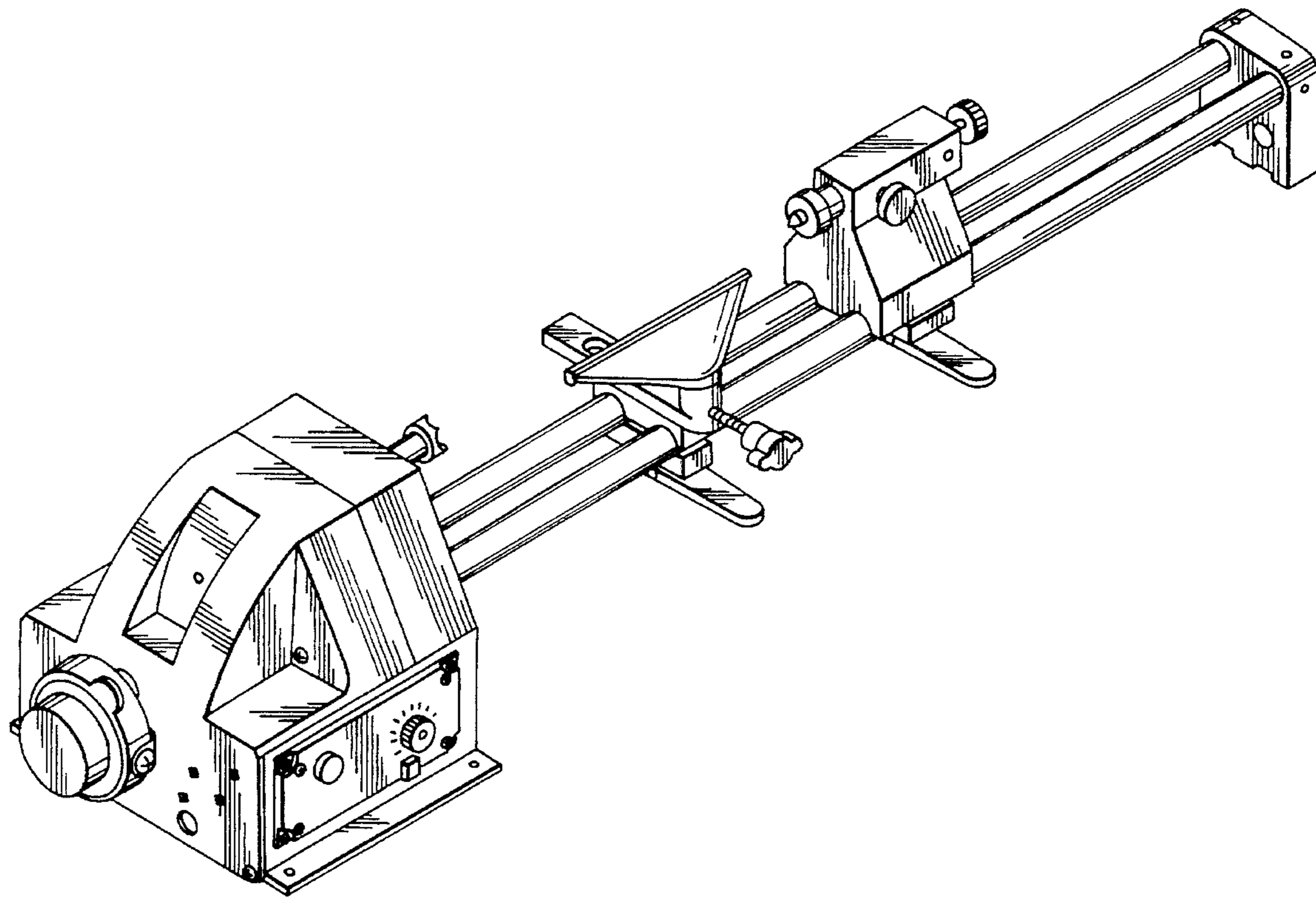
FIG. 7 is a bottom plan view thereof.

[56] **References Cited**

U.S. PATENT DOCUMENTS

D. 185,922 8/1959 Brennan D15/130
D. 309,741 8/1990 Arehart et al. D15/130
D. 338,475 8/1993 Wilson et al. D15/130

1 Claim, 4 Drawing Sheets



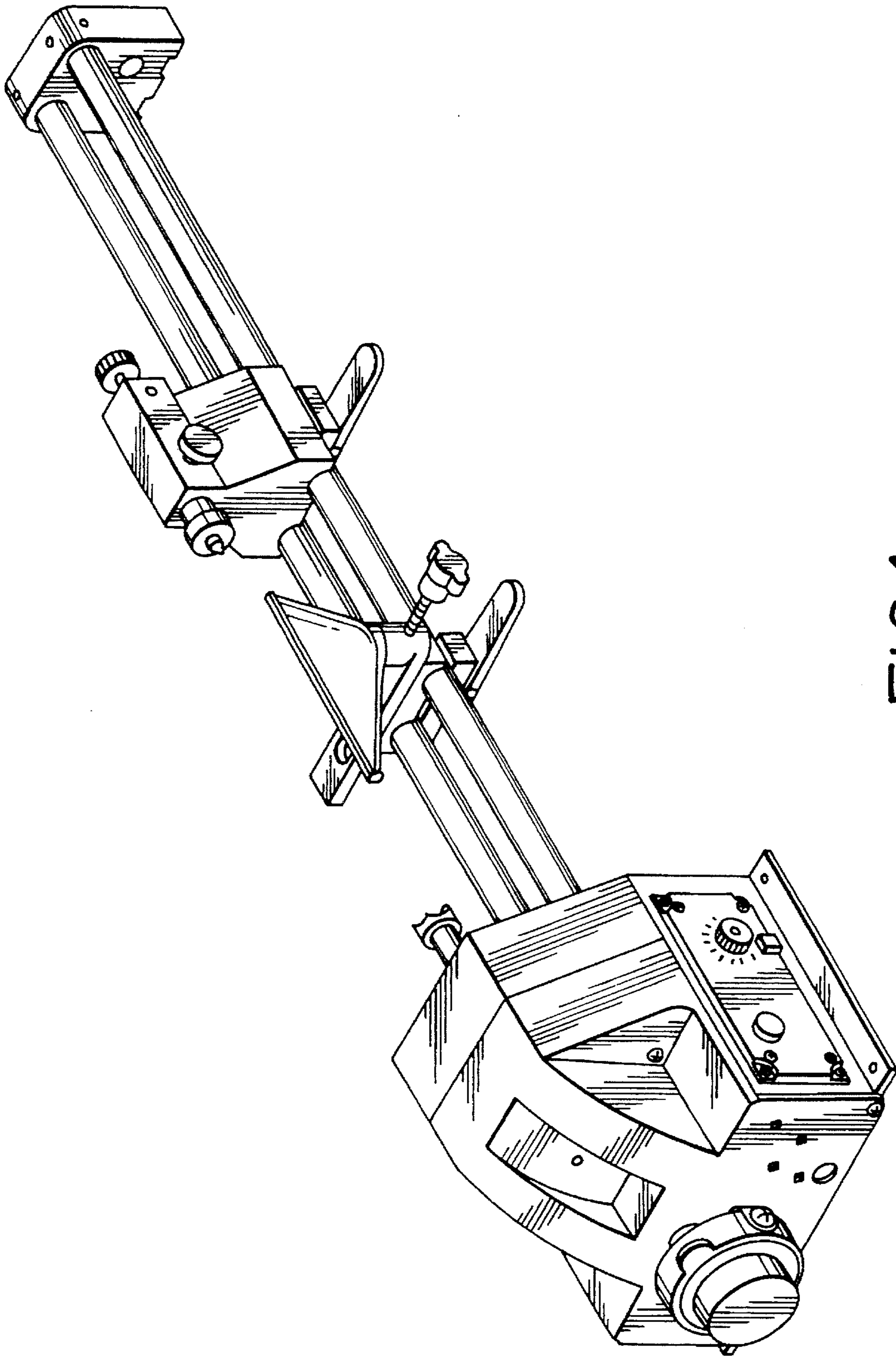


FIG.1

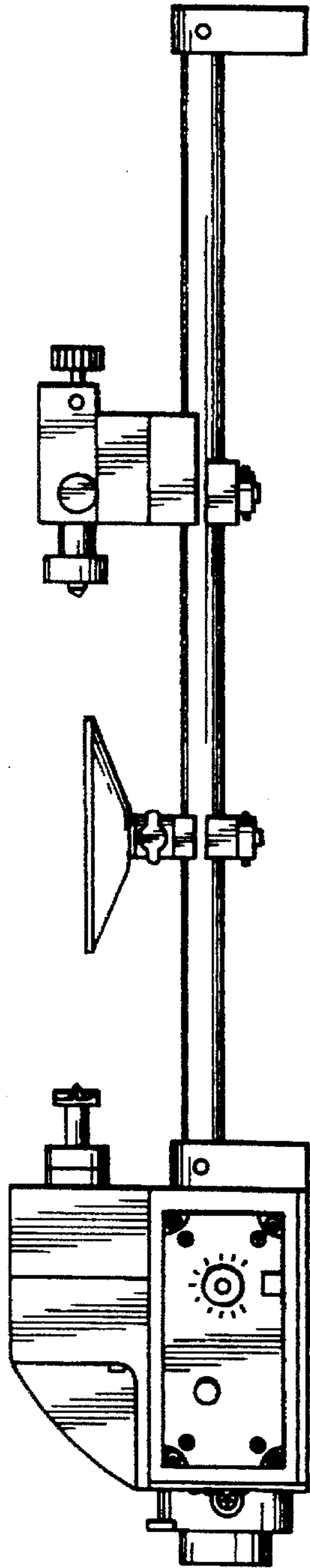


FIG. 2

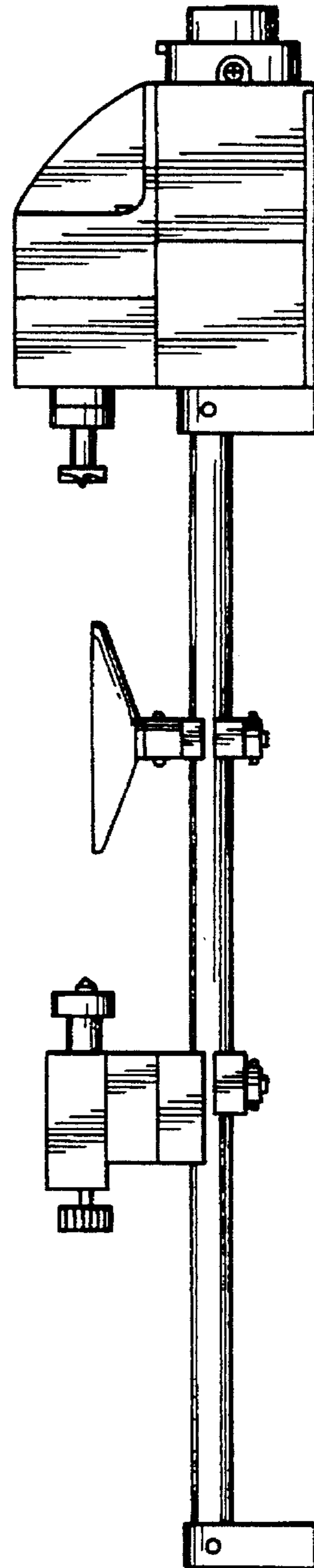


FIG. 3

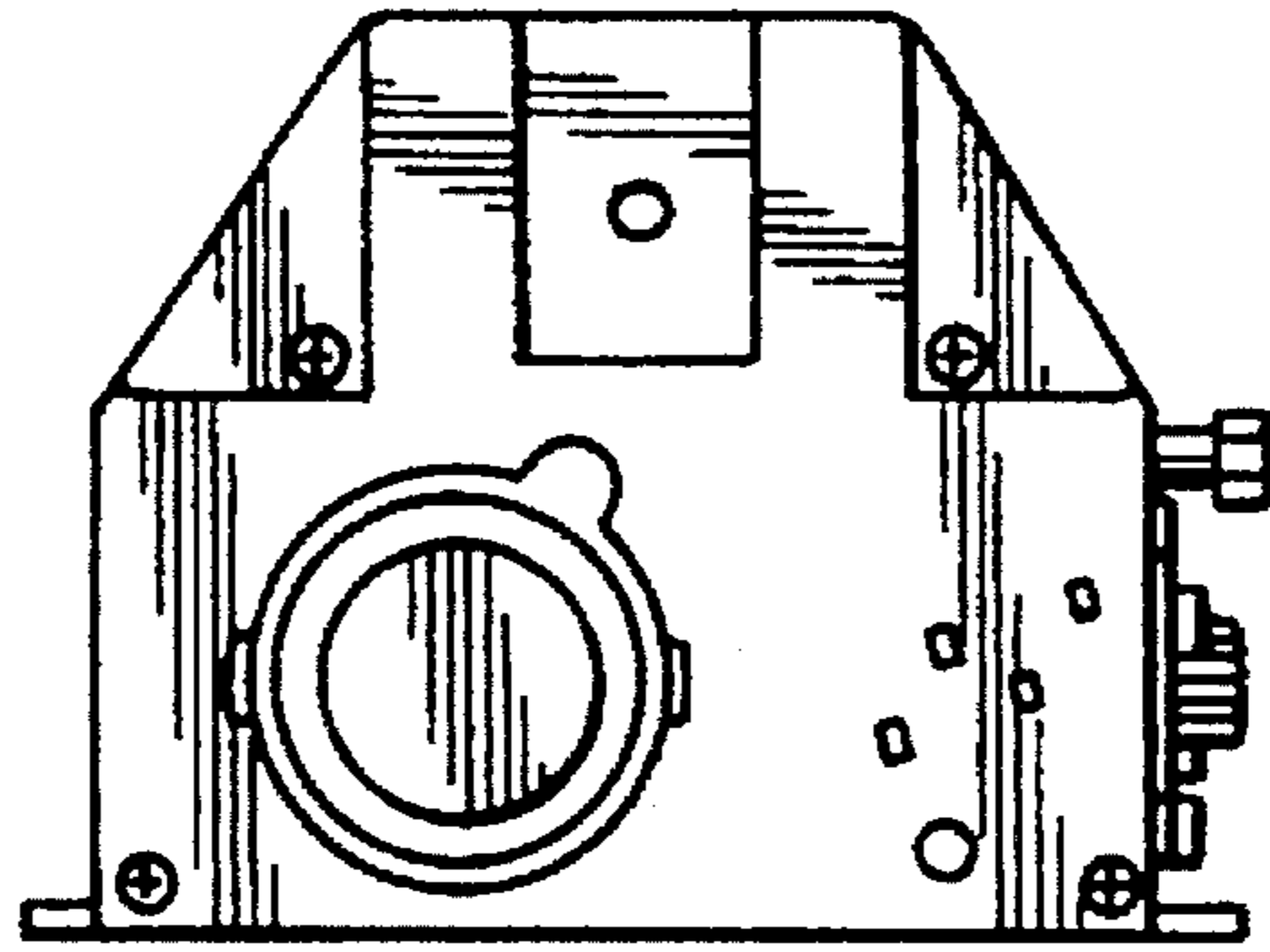


FIG. 4

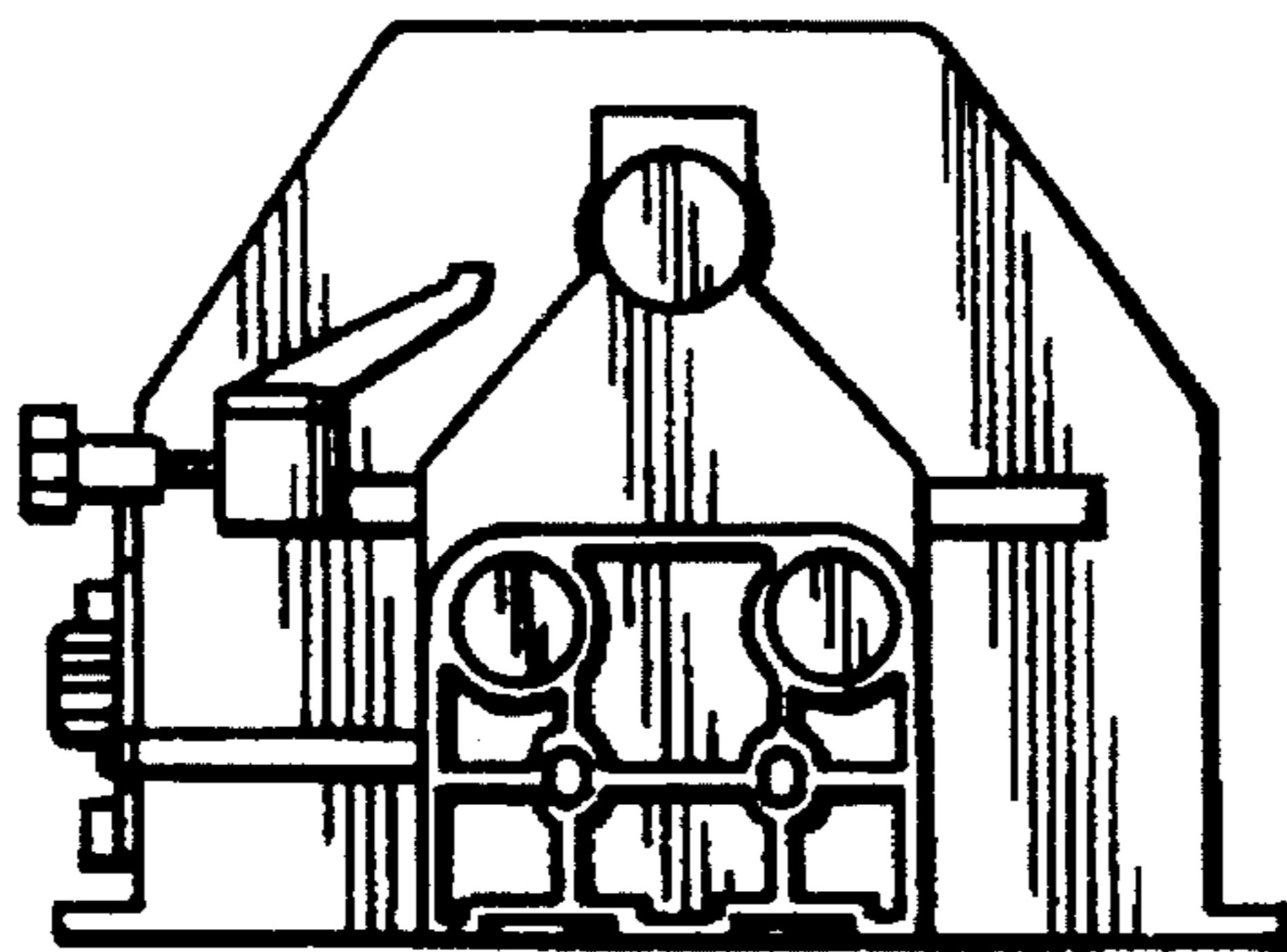


FIG. 5

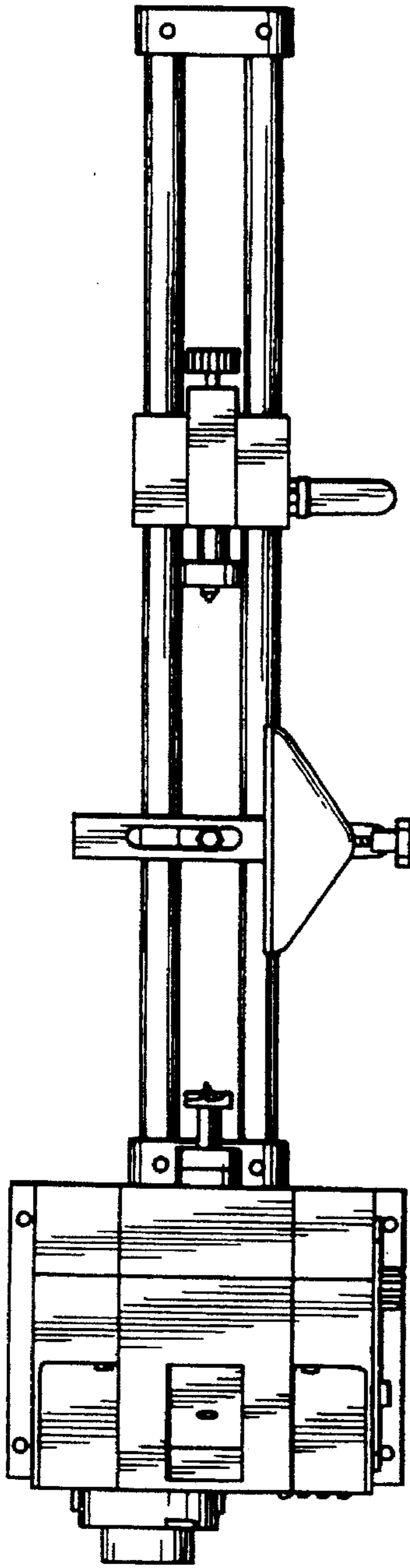


FIG. 6

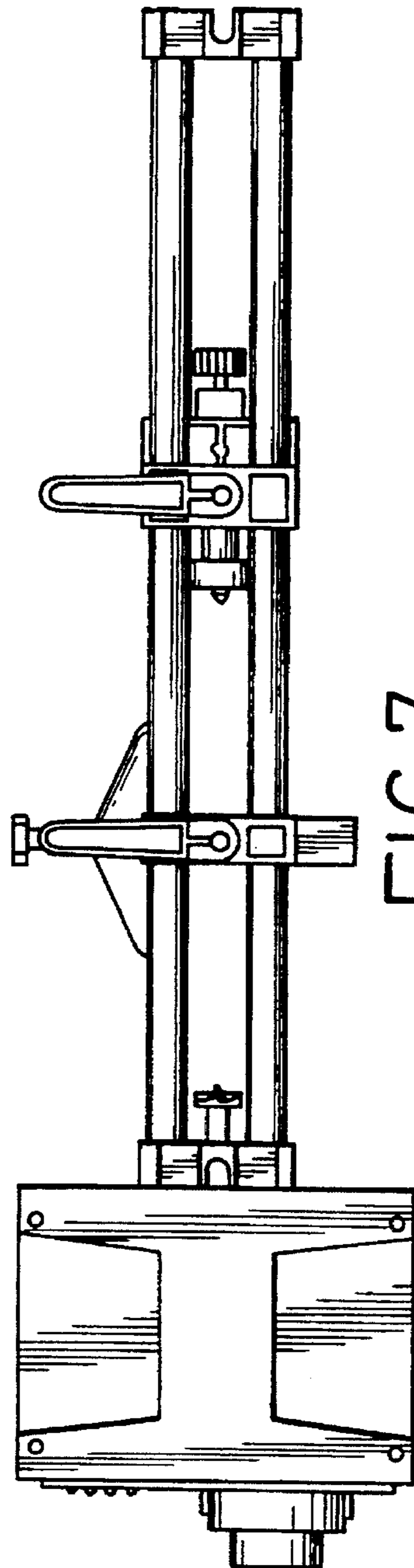


FIG. 7