



US00D367064S

**United States Patent** [19]  
**Gardner**

[11] **Patent Number: Des. 367,064**

[45] **Date of Patent: \*\*Feb. 13, 1996**

[54] **TELEVISION MUTING CONTROL**

[76] Inventor: **Carolyn F. Gardner**, Rte. 2, Box 309,  
Gutherie, Okla. 73044

[\*\*] Term: **14 Years**

[21] Appl. No.: **25,171**

[22] Filed: **Jul. 6, 1994**

[52] U.S. Cl. .... **D14/239**

[58] Field of Search ..... D14/239; D13/162,  
D13/164, 168; 360/13, 14.1; 358/335, 908

[56] **References Cited**

**U.S. PATENT DOCUMENTS**

D. 215,299	9/1969	Kuypers	.....	D13/168
D. 340,279	10/1993	Mattis	.....	D13/164 X
4,430,676	2/1984	Johnson	.	
4,602,297	7/1986	Reese	.	
4,750,053	6/1988	Allen	.	

*Primary Examiner*—Ted Shooman  
*Assistant Examiner*—Richelle Shelton  
*Attorney, Agent, or Firm*—Terry M. Gernstein

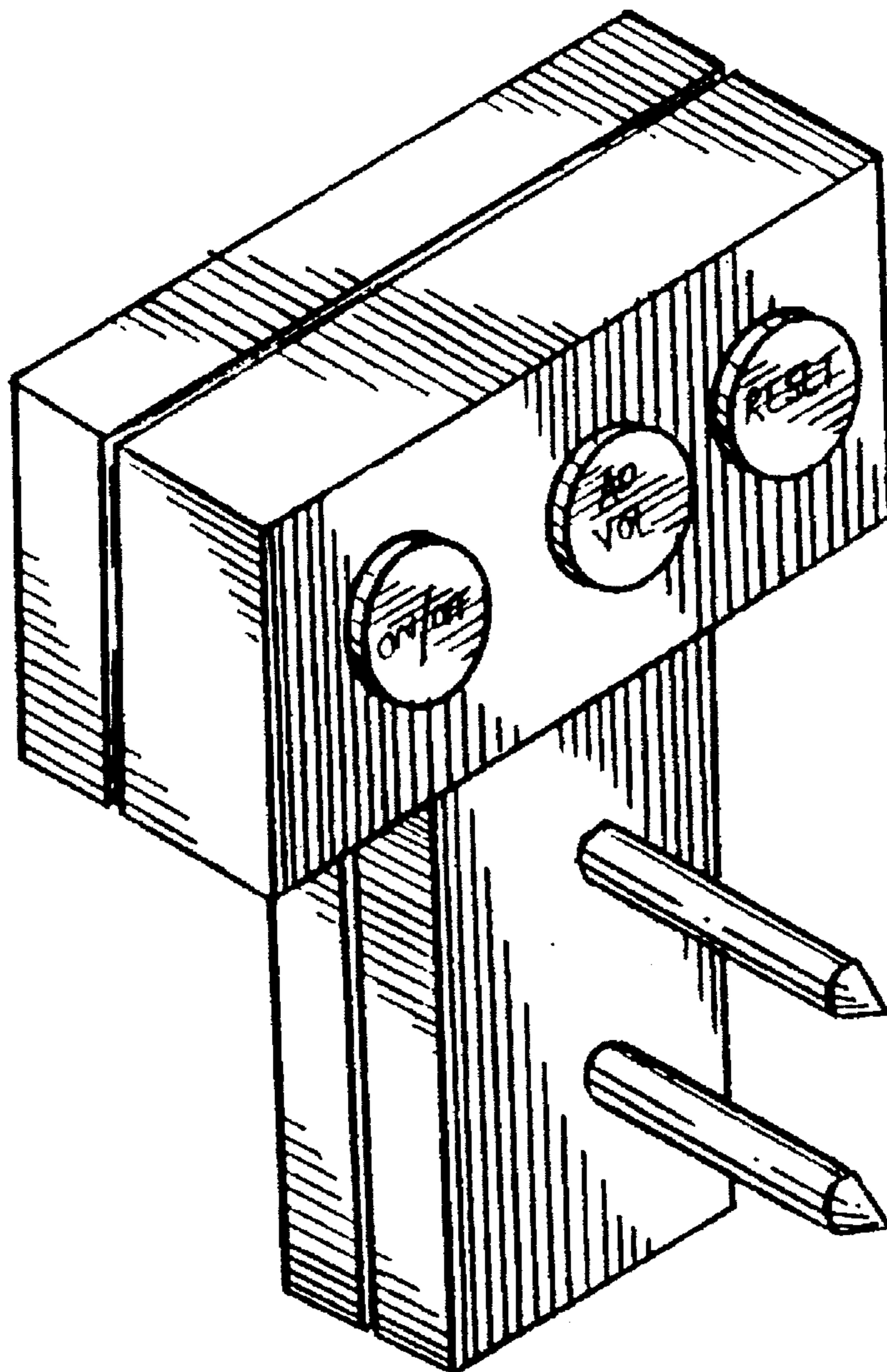
[57] **CLAIM**

The ornamental design for a television muting control, as shown and described.

**DESCRIPTION**

FIG. 1 is a front, top and side perspective view of the television muting control showing my new design;  
FIG. 2 is a front elevational view thereof;  
FIG. 3 is a rear elevational view thereof;  
FIG. 4 is a side elevational view thereof, the side opposite being a mirror image of the side shown in FIG. 4;  
FIG. 5 is a top plan view thereof; and,  
FIG. 6 is a bottom plan view thereof.

**1 Claim, 3 Drawing Sheets**



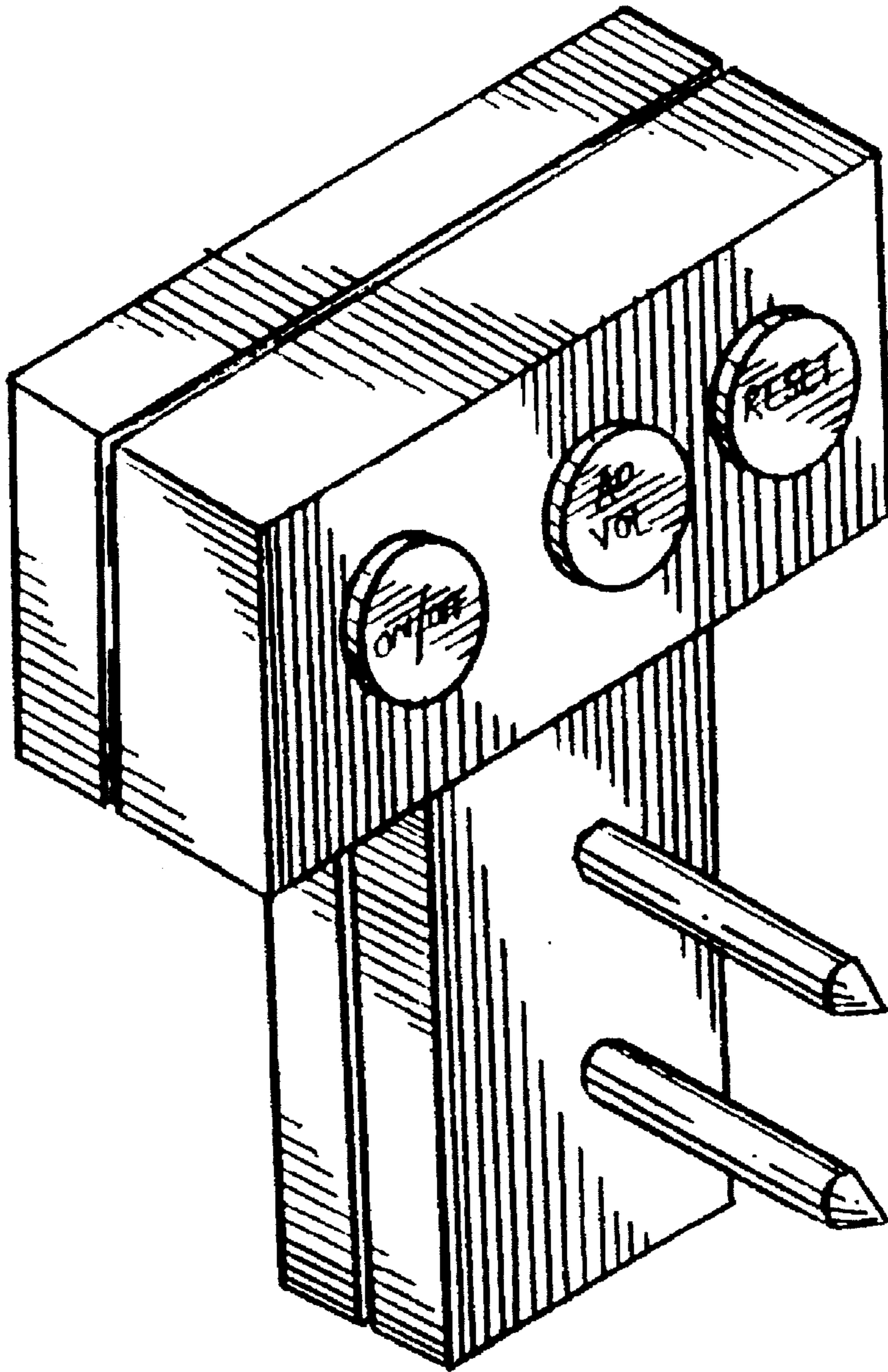


FIG. 1.

FIG. 2.

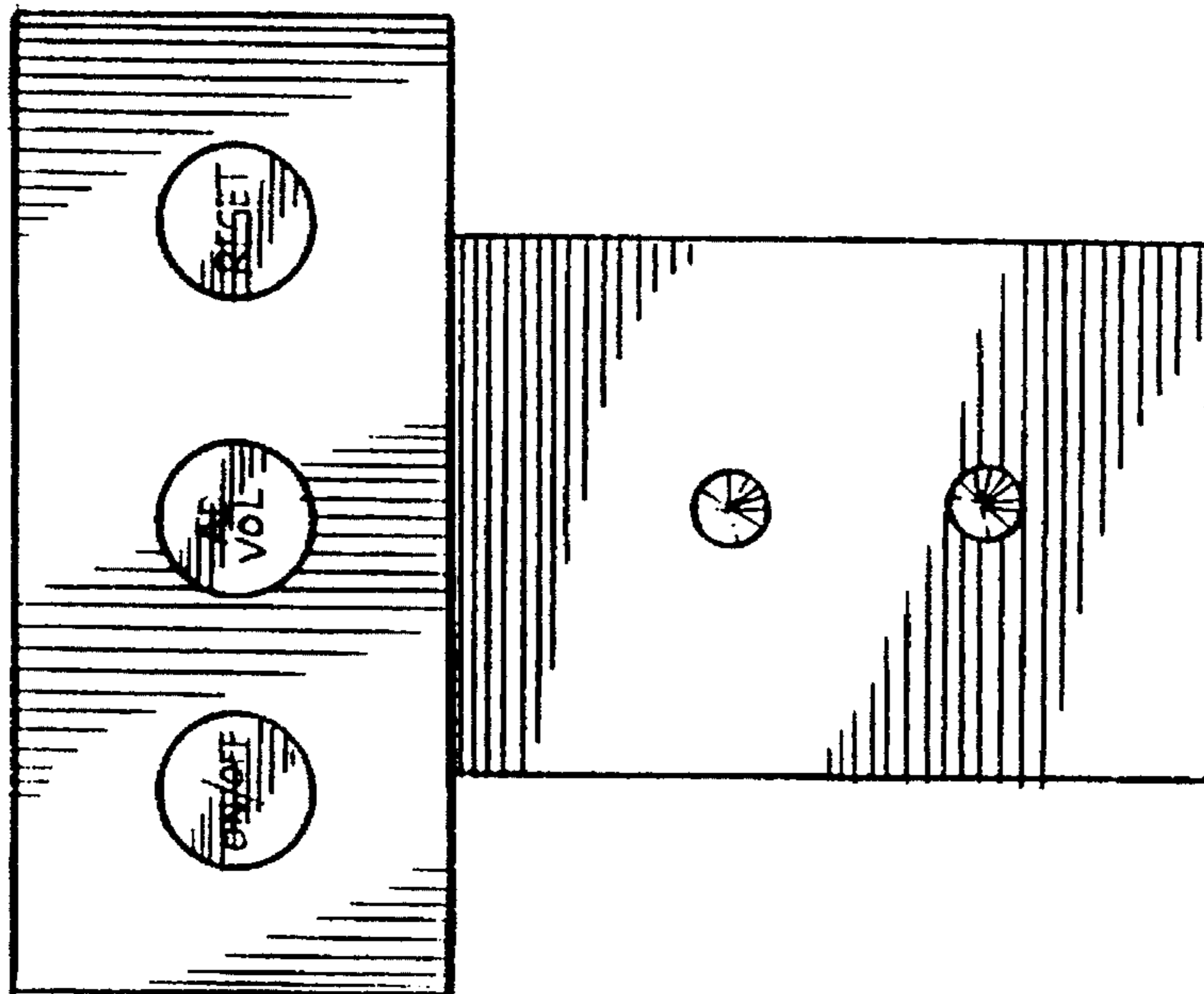


FIG. 4.

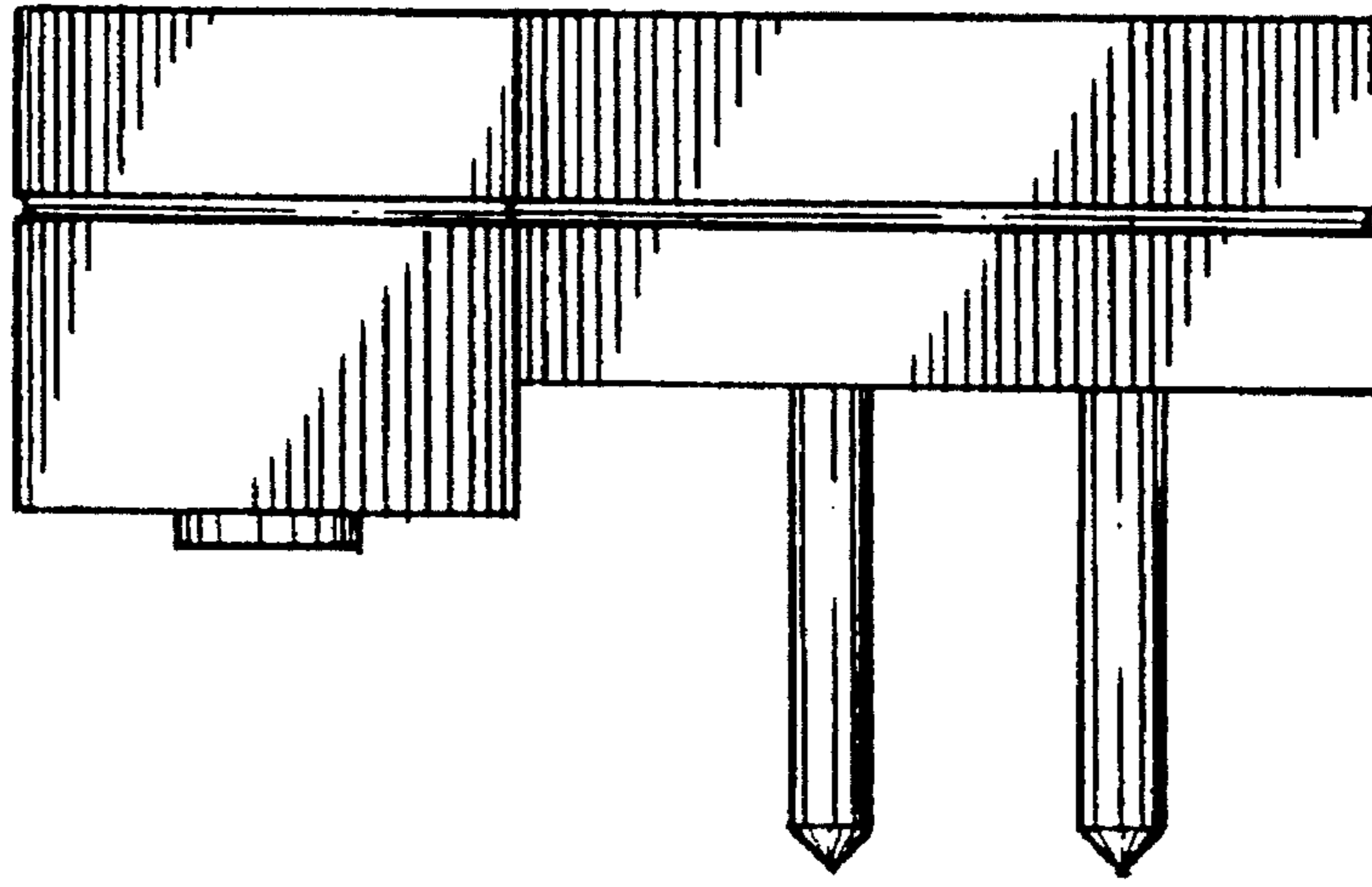


FIG. 5.

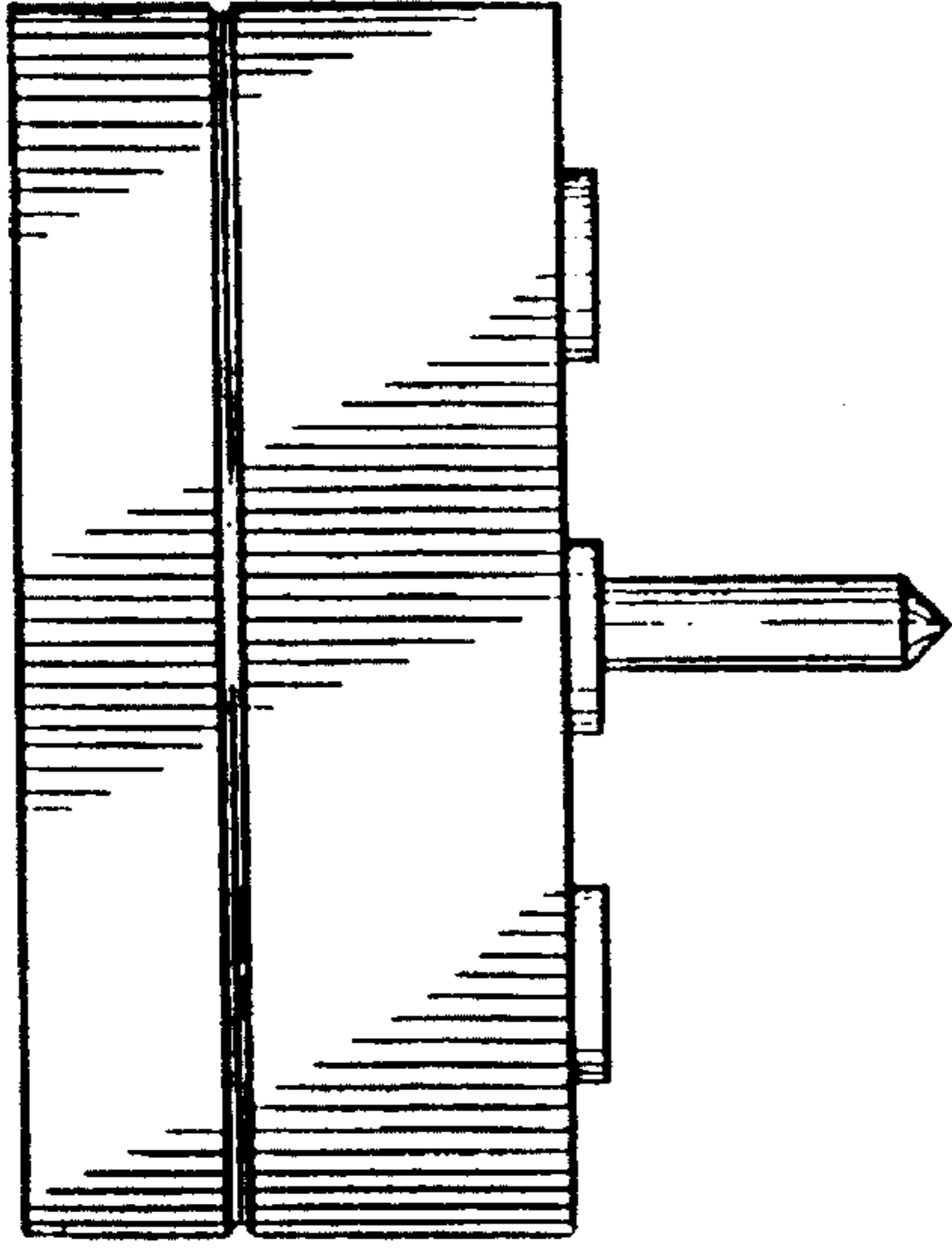


FIG. 6.

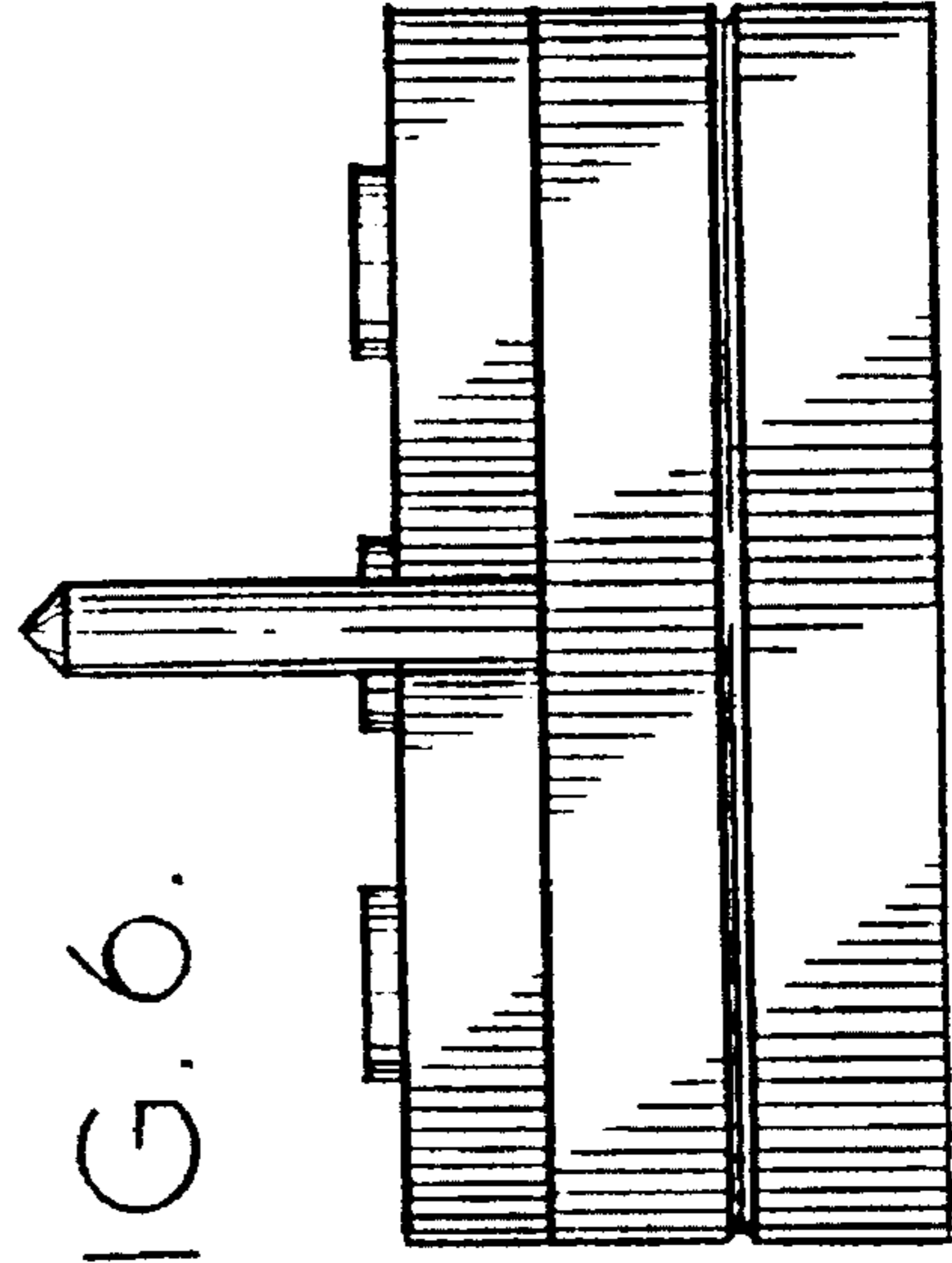


FIG. 3.

