



US00D367062S

United States Patent [19]
Tahmassebpur

[11] **Patent Number: Des. 367,062**

[45] **Date of Patent: **Feb. 13, 1996**

[54] **ANTENNA**

D. 333,471 2/1993 Vong D14/230

[75] Inventor: **Mohammed Tahmassebpur,**
Vancouver, Canada

Primary Examiner—Dominic Simone
Attorney, Agent, or Firm—Burns, Doane, Swecker & Mathis

[73] Assignee: **Sierra Wireless, Inc.,** British Columbia,
Canada

[57] **CLAIM**

[**] Term: **14 Years**

The ornamental design for an antenna, as shown and described.

[21] Appl. No.: **37,187**

DESCRIPTION

[22] Filed: **Apr. 6, 1995**

FIG. 1 is a perspective view of an antenna showing my new design, the communication device shown in broken lines for illustrative purposes only;

[52] **U.S. Cl.** **D14/230**

[58] **Field of Search** D14/230; 343/700 R,
343/720, 757, 785, 793, 805, 807, 872,
900, 901, 903

FIG. 2 is an enlarged right side elevational view thereof, the left side being a mirror image;

FIG. 3 is an enlarged rear elevational view thereof;

FIG. 4 is an enlarged front elevational view thereof;

FIG. 5 is an enlarged top plan view thereof; and,

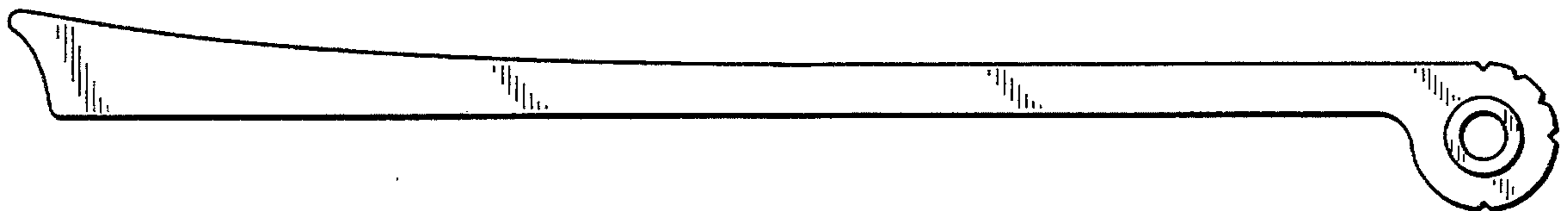
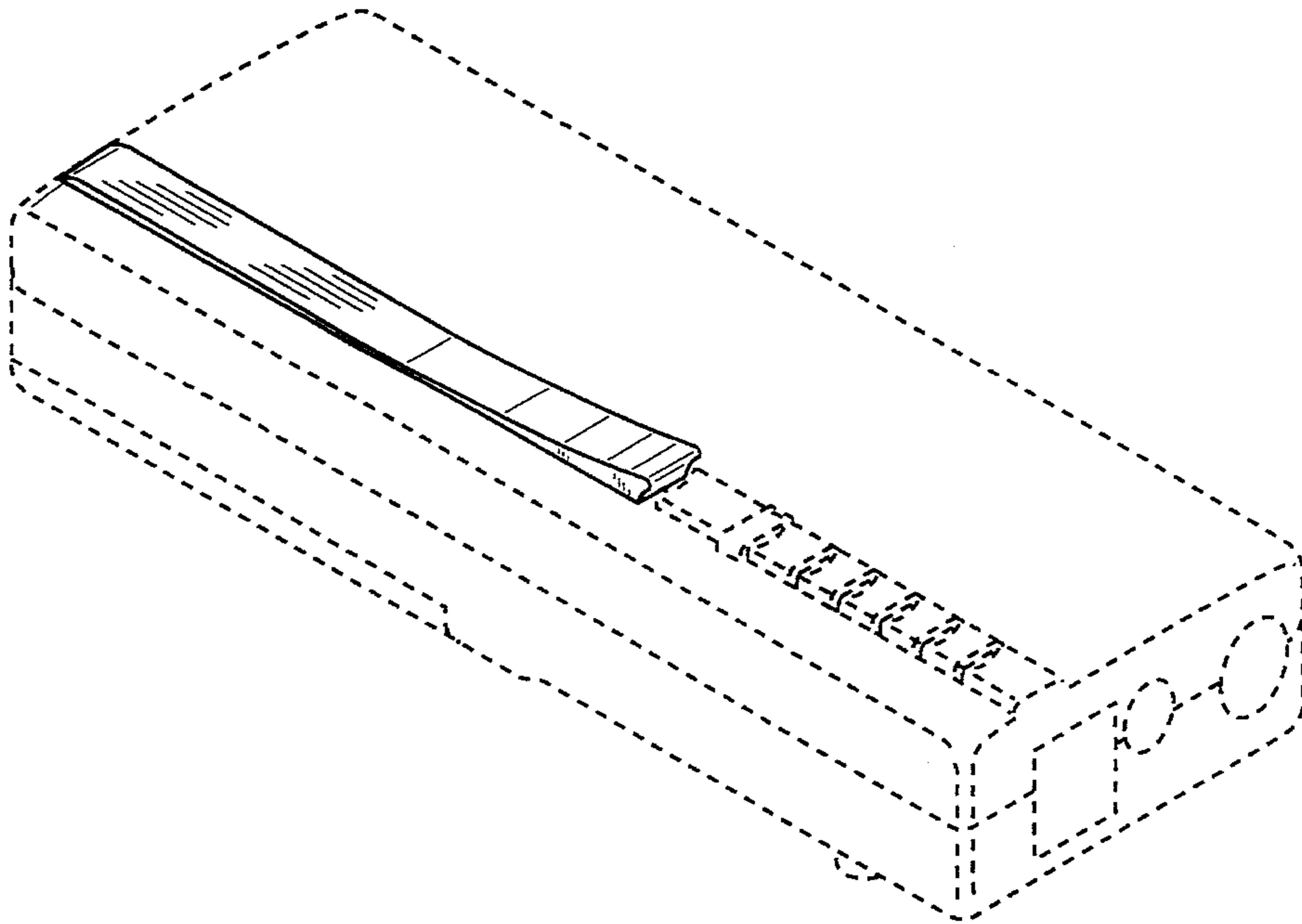
FIG. 6 is an enlarged bottom plan view thereof.

[56] **References Cited**

U.S. PATENT DOCUMENTS

D. 160,016 9/1950 Reid D14/230
D. 293,672 1/1988 Redaelli D14/230

1 Claim, 2 Drawing Sheets



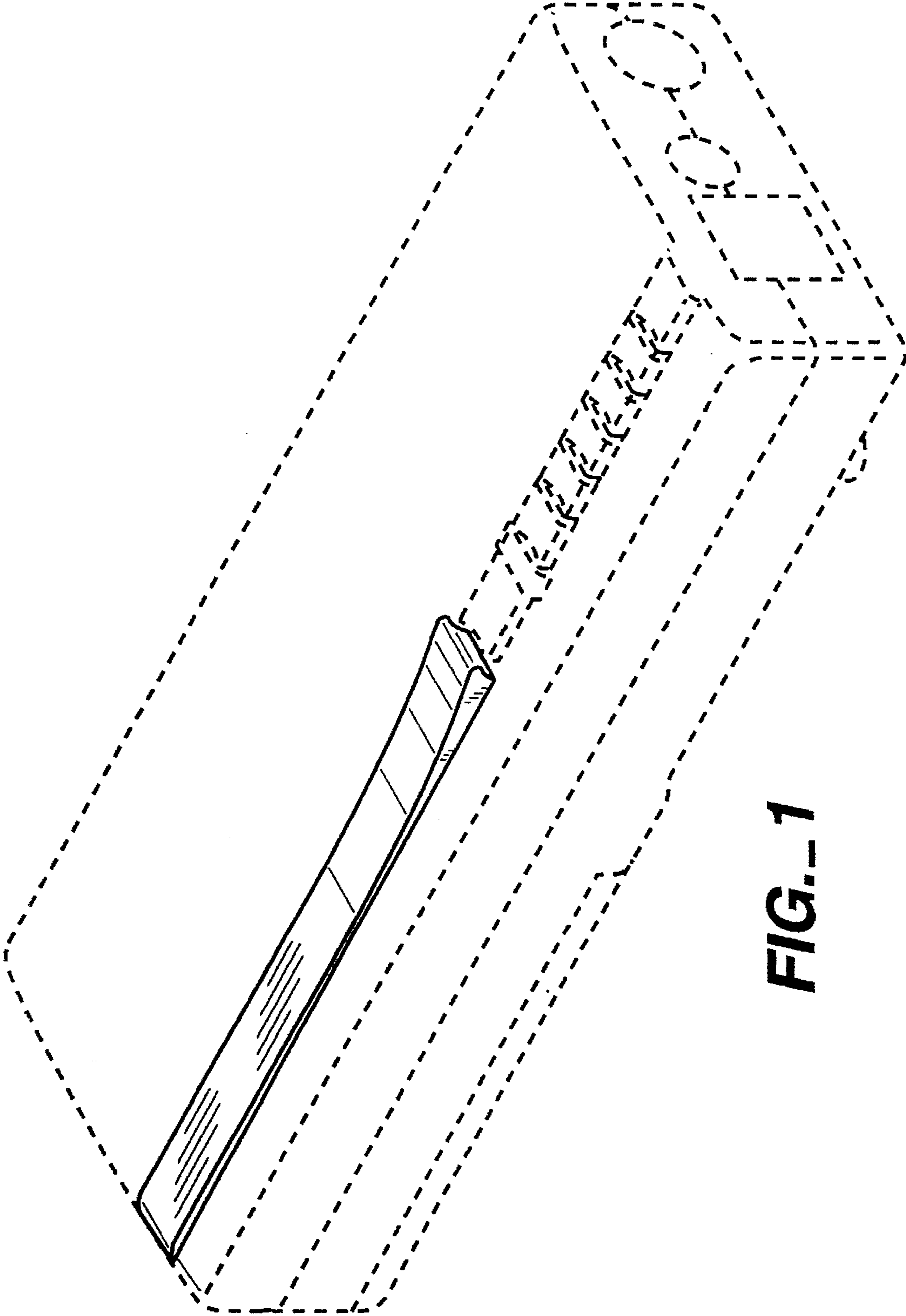


FIG. 1

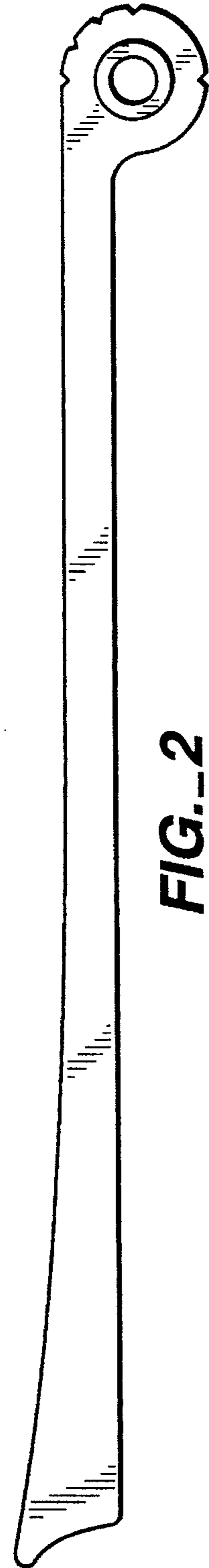


FIG. 2

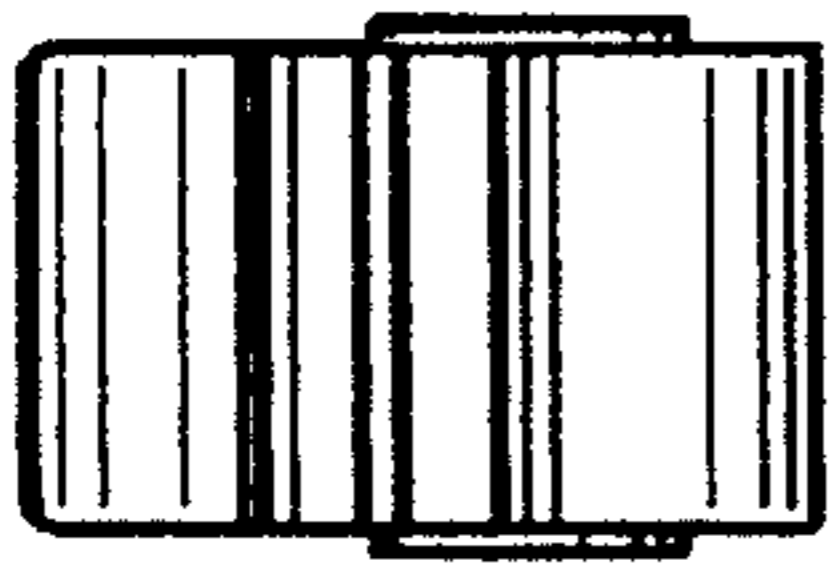


FIG. 3

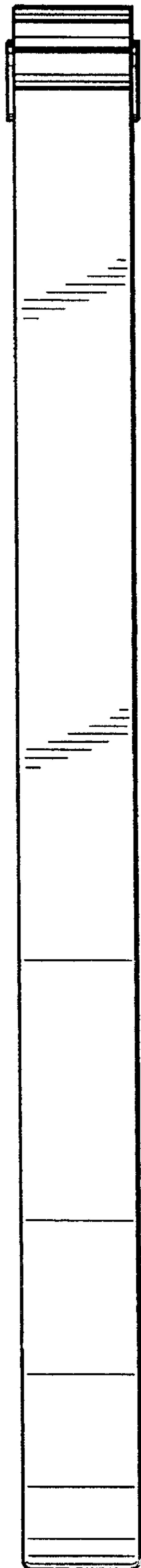


FIG. 5

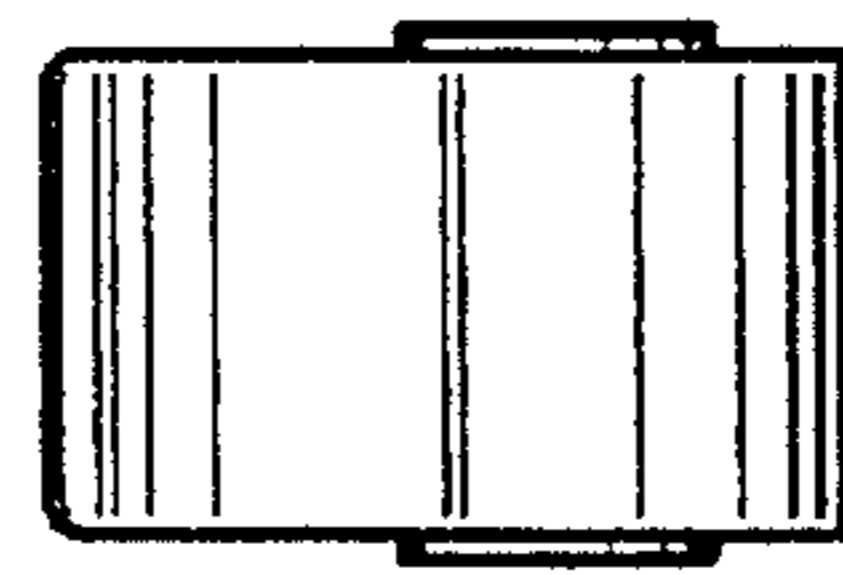


FIG. 4

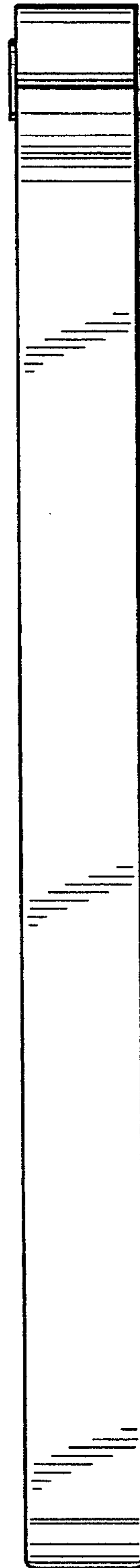


FIG. 6