



US00D367061S

United States Patent [19]

[11] Patent Number: **Des. 367,061**

Davison

[45] Date of Patent: ****Feb. 13, 1996**

[54] REMOTE CONTROL UNIT

[75] Inventor: **Micke Davison**, Le Mesnil Saint Denis, France

[73] Assignee: **Thomson Consumer Electronics (Société Anonyme)**, Courbevoie, France

[**] Term: **14 Years**

[21] Appl. No.: **19,876**

[22] Filed: **Mar. 11, 1994**

[30] Foreign Application Priority Data

Jan. 13, 1994 [FR] France 94 0142

[52] U.S. Cl. **D14/218**

[58] Field of Search D10/104, 106; D13/168; D14/114, 124, 217, 218, 299; 348/734; 455/151.1-151.4, 352-355

[56] References Cited

U.S. PATENT DOCUMENTS

D. 342,070	12/1993	Takama	D14/218
D. 342,258	12/1993	Saito et al.	D14/218
D. 342,259	12/1993	Darbee et al.	D14/218
D. 352,930	11/1994	Tsuji	D13/168
D. 356,794	3/1995	Athans	D14/218
D. 357,018	4/1995	Takami	D14/218
4,745,397	3/1988	Lagerbauer et al.	348/734
4,878,055	10/1989	Kasahara	348/734

OTHER PUBLICATIONS

Video Review Jun. 1989 p. 35 Mitsubishi remote.
Sony Spring/Summer 1993 Catalog p. 27 Sony remote.
Video Magazine 793 p. 15 Sony Remote.

Primary Examiner—Sandra L. Morris
Attorney, Agent, or Firm—McAulay Fisher Nissen Goldberg & Kiel

[57] CLAIM

The ornamental design for a remote control unit, as shown and described.

DESCRIPTION

FIG. 1 is a front view of a remote control unit for a video tape recorder in its closed condition, showing my new design;

FIG. 2 is a left side view shown in its closed condition, and the right side view is a mirror image of the left side view; FIG. 3 is a top view, shown closed;

FIG. 4 is a bottom view shown in its closed condition;

FIG. 5 is a rear view, shown closed;

FIG. 6 is a front, side and bottom perspective view, shown closed;

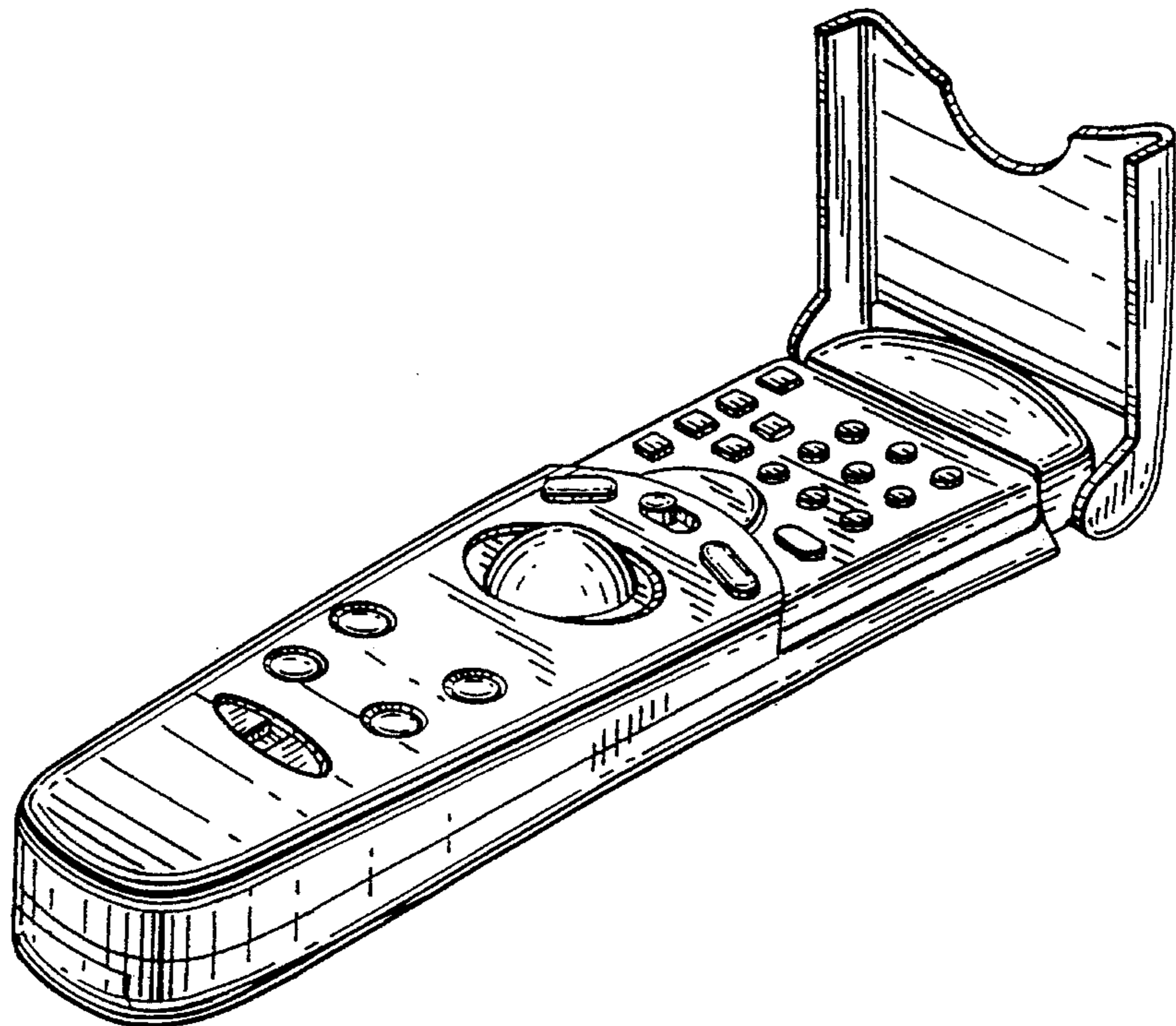
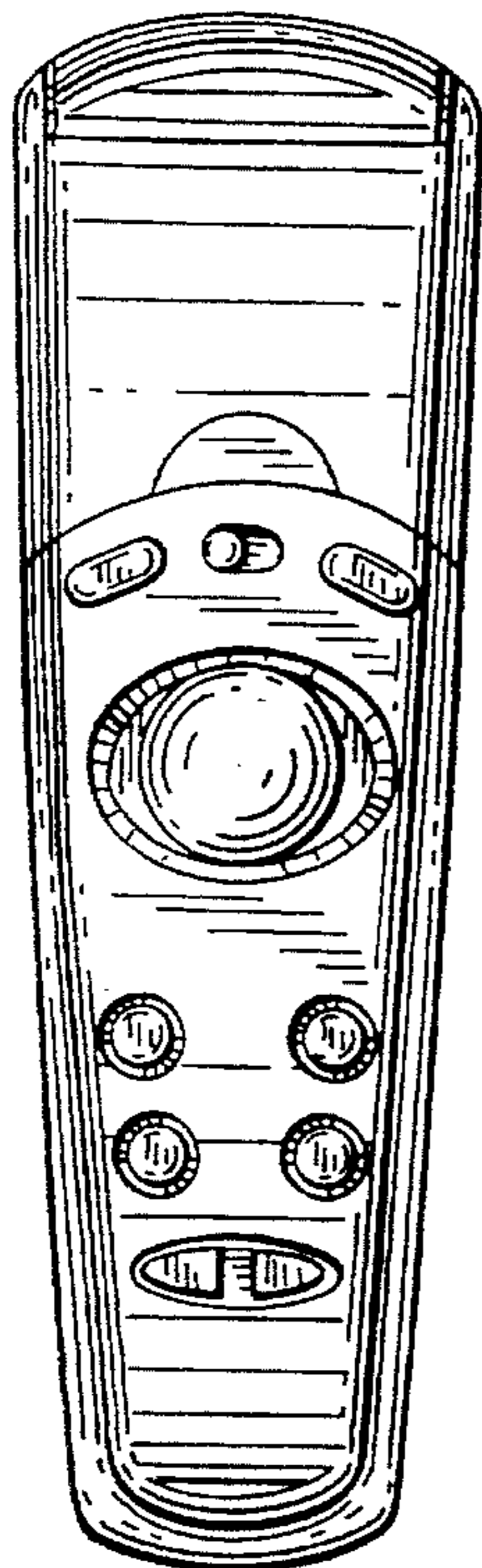
FIG. 7 is a front view, shown open;

FIG. 8 is a left side view shown in its open condition;

FIG. 9 is a front, side and bottom perspective view shown in its open condition; and,

FIG. 10 is a right side view, shown open.

1 Claim, 4 Drawing Sheets



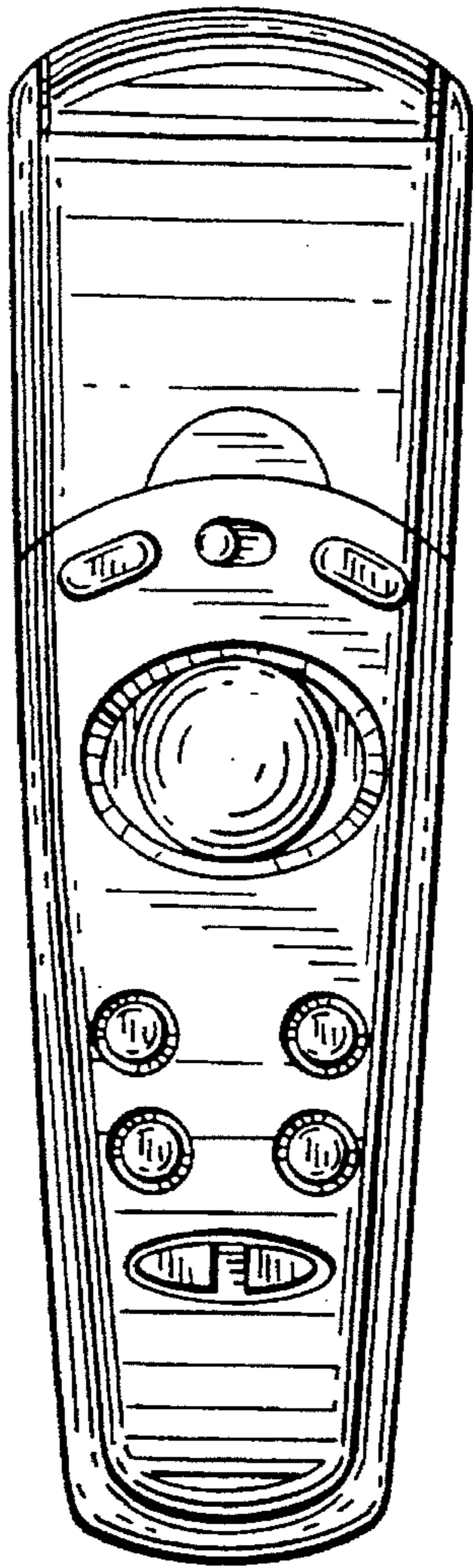


FIG. 1

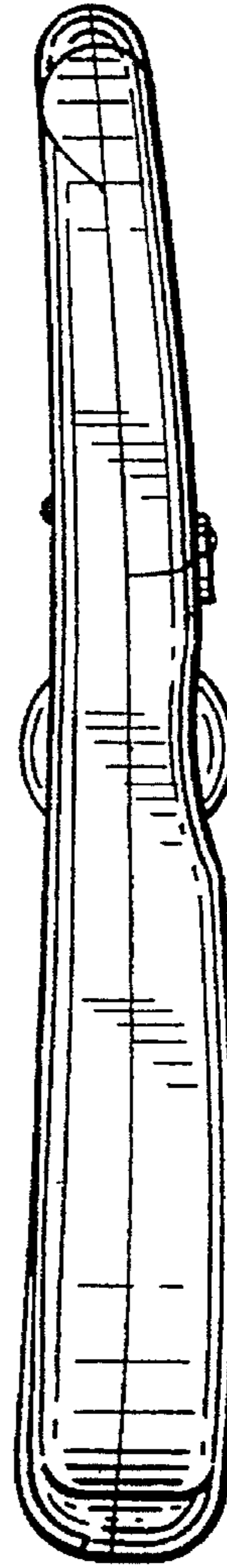


FIG. 2



FIG. 3

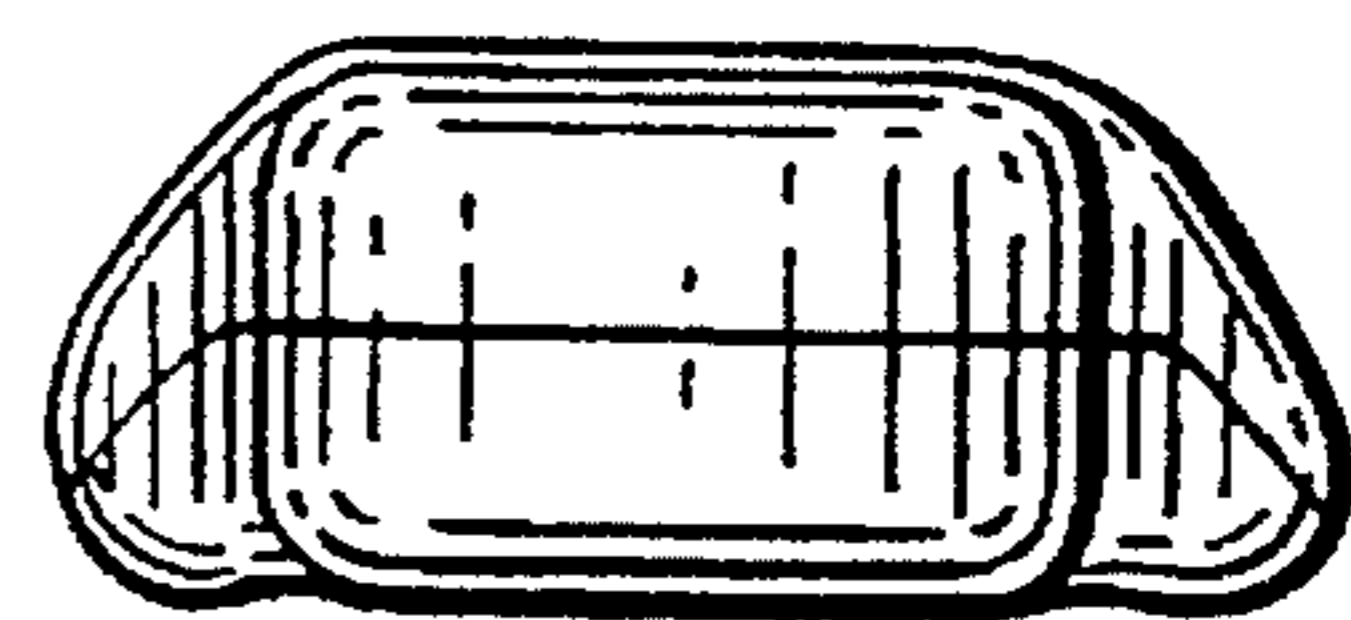


FIG. 4

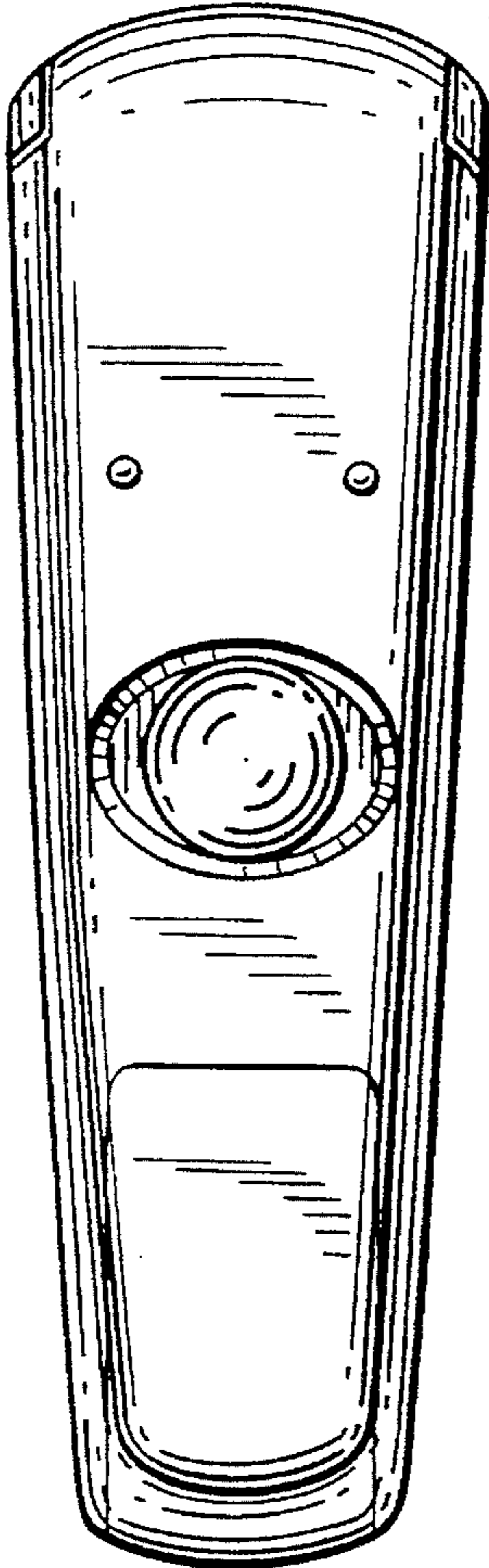


FIG. 5

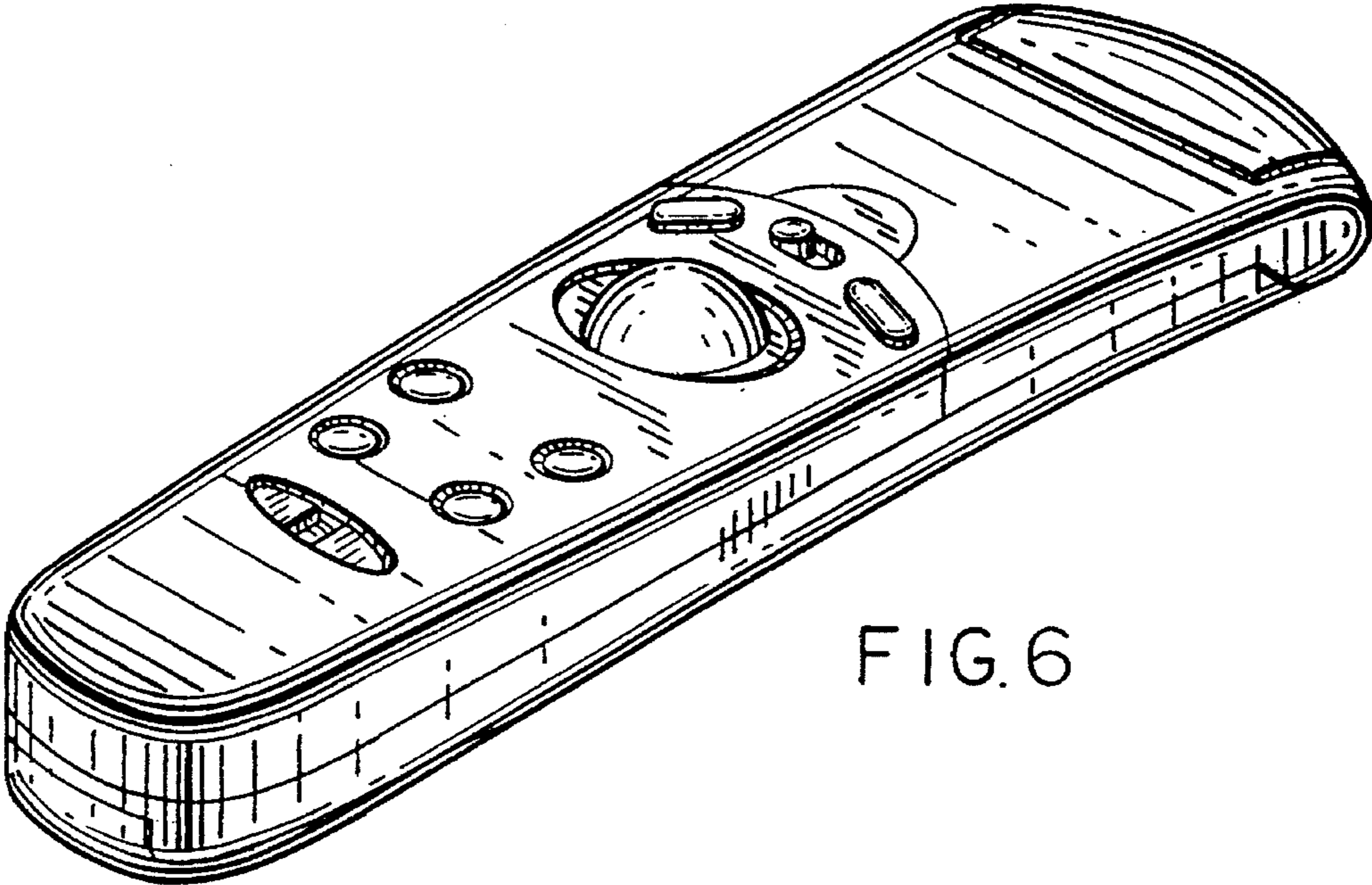


FIG. 6

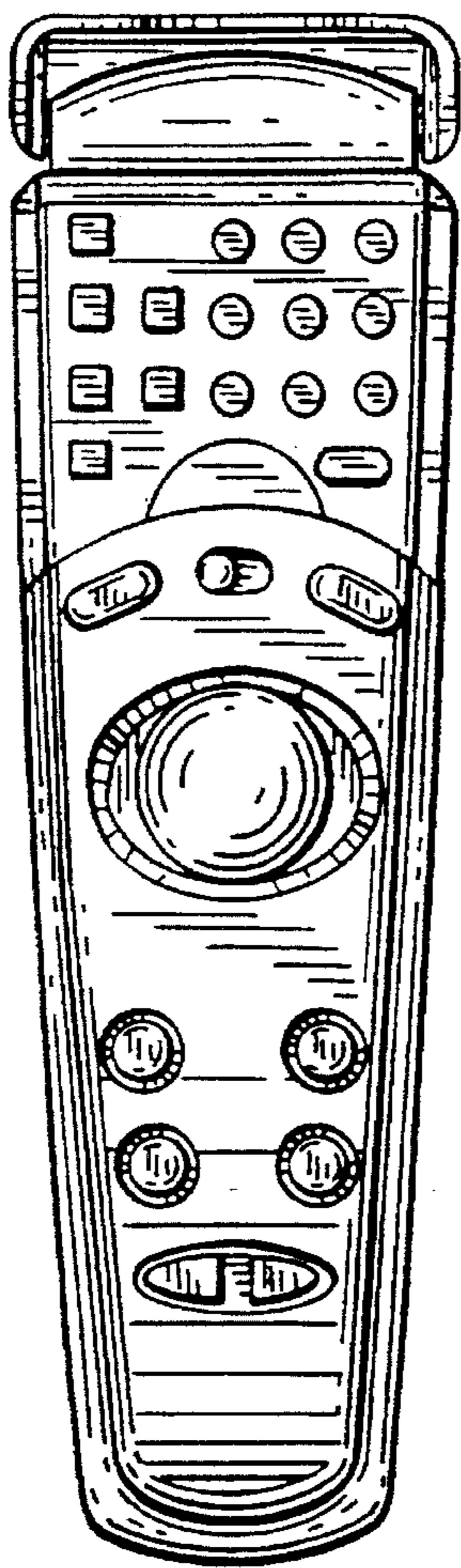


FIG. 7

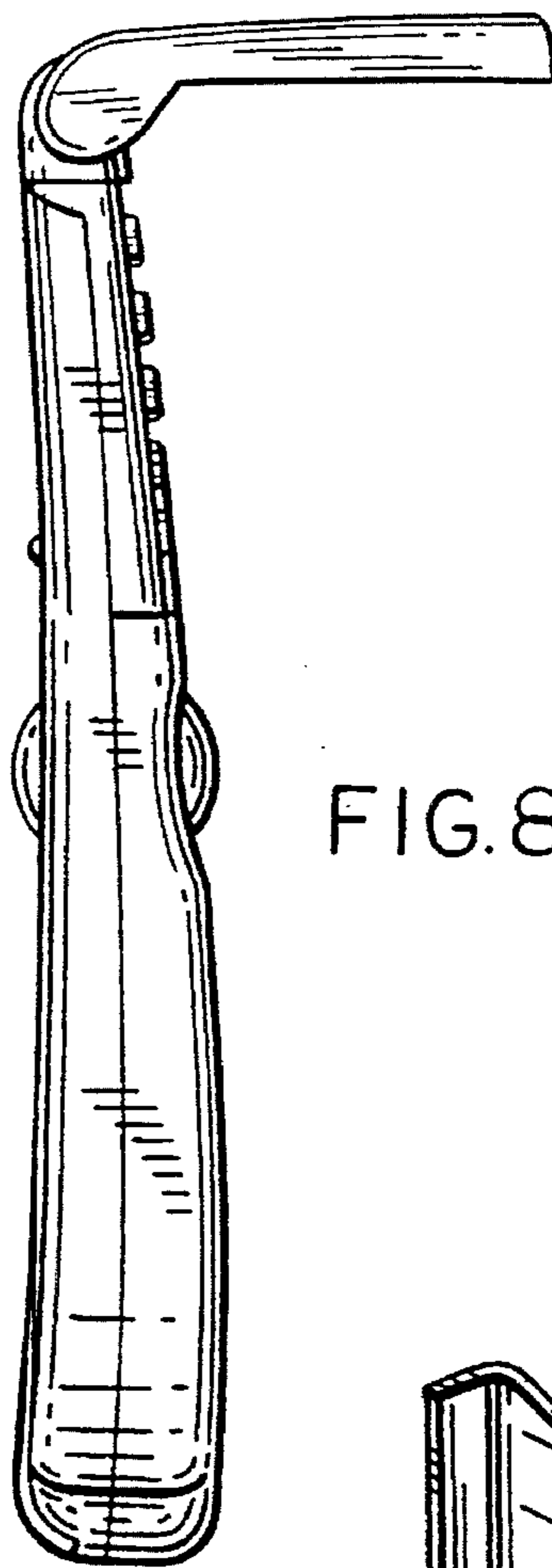


FIG. 8

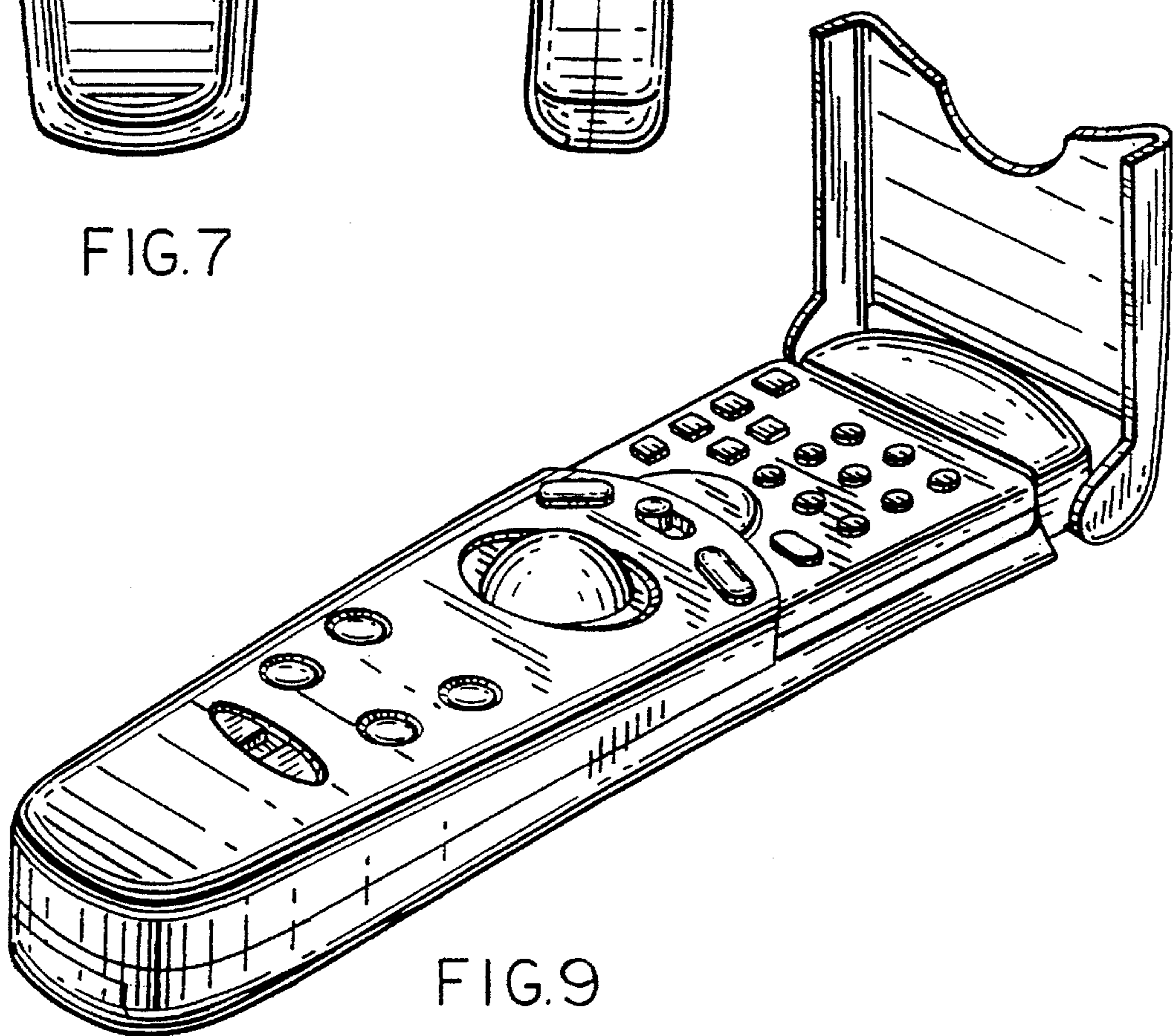


FIG. 9

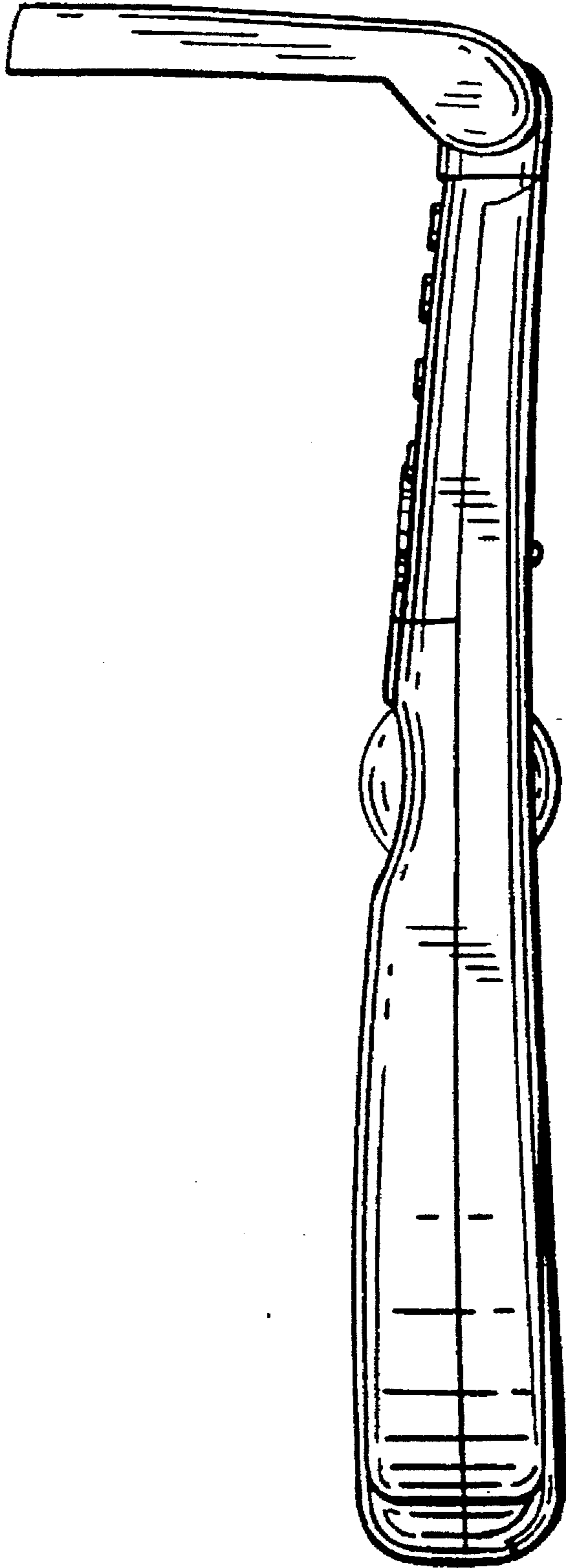


FIG.10