



US00D367058S

United States Patent [19]

[11] Patent Number: **Des. 367,058**

Isonaga

[45] Date of Patent: ****Feb. 13, 1996**

[54] **COMBINED TAPE PLAYER AND SPEAKER**

D. 335,879 5/1993 Gioscia et al. D14/163

D. 343,617 1/1994 Kawase et al. D14/170

D. 348,460 7/1994 Suzuki D14/165

[75] Inventor: **Yasuaki Isonaga**, Tokyo, Japan

[73] Assignee: **Sony Corporation**, Tokyo, Japan

Primary Examiner—Ted Shooman

Assistant Examiner—Nanda Bondade

Attorney, Agent, or Firm—Thomas G. Carulli

[**] Term: **14 Years**

[21] Appl. No.: **23,735**

[57] CLAIM

[22] Filed: **May 31, 1994**

The ornamental design for a combined tape player and speaker, as shown and described.

[30] Foreign Application Priority Data

DESCRIPTION

Dec. 3, 1993 [JP] Japan 5-36501

[52] U.S. Cl. **D14/172**; D14/163

[58] Field of Search D14/155-156,
D14/160-168, 172, 188-189, 193-195,
204, 207, 209, 215-216, 260, 265, 299;
181/198-199; 455/344, 347, 350, 351

FIG. 1 is a top, front and right-side perspective view of a

combined tape player and speaker, showing my new design;

FIG. 2 is a top, front and right-side perspective view thereof,

shown in the open position;

FIG. 3 is a front elevational view thereof;

FIG. 4 is a rear elevational view thereof;

FIG. 5 is a left-side elevational view thereof;

FIG. 6 is a right-side elevational view thereof;

FIG. 7 is a top plan view thereof; and,

FIG. 8 is a bottom plan view thereof.

[56] References Cited

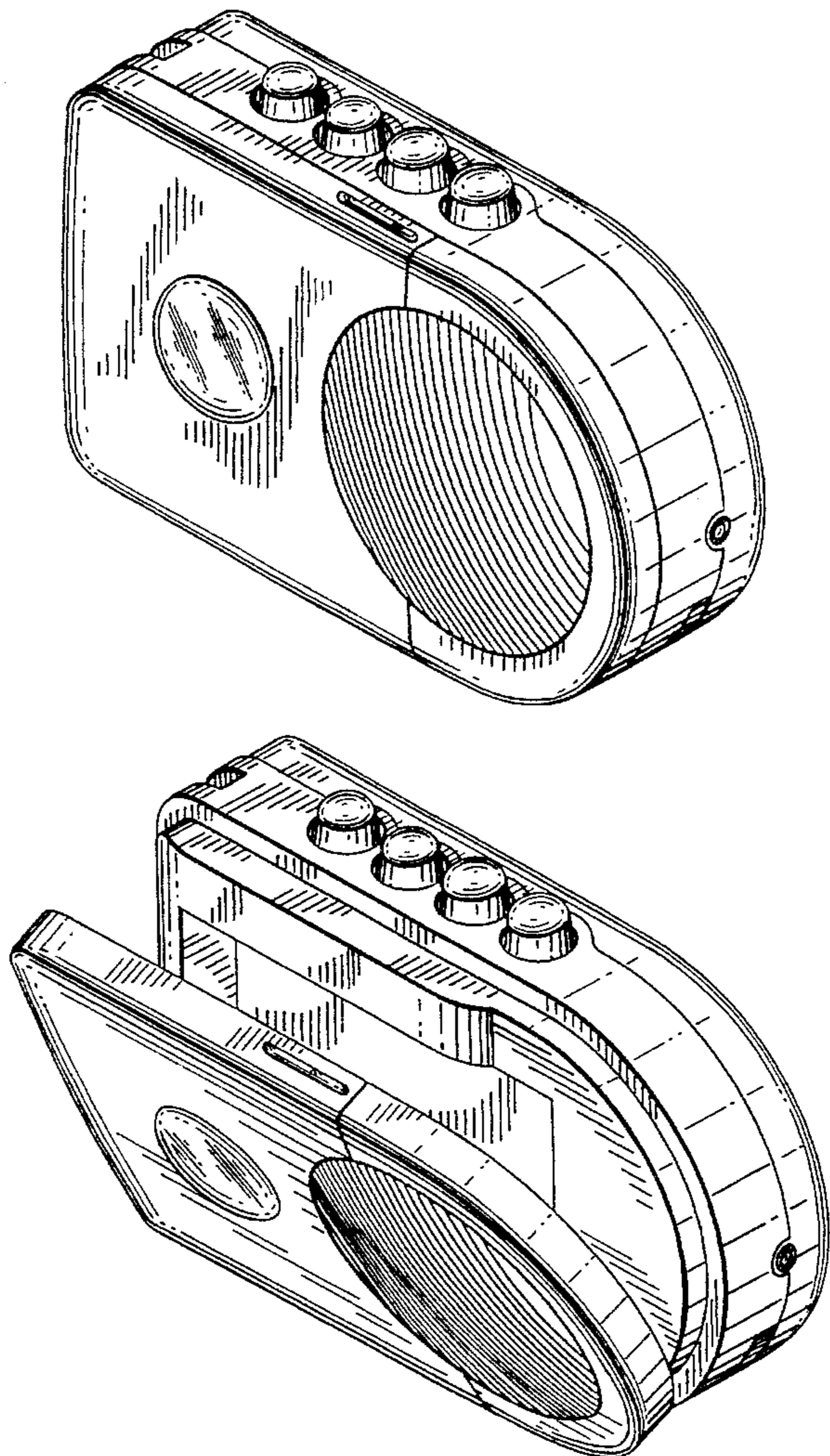
U.S. PATENT DOCUMENTS

D. 146,373 2/1947 Nichols D14/160

D. 326,652 6/1992 Kanno D14/163 X

D. 334,935 4/1993 Goto D14/216

1 Claim, 3 Drawing Sheets



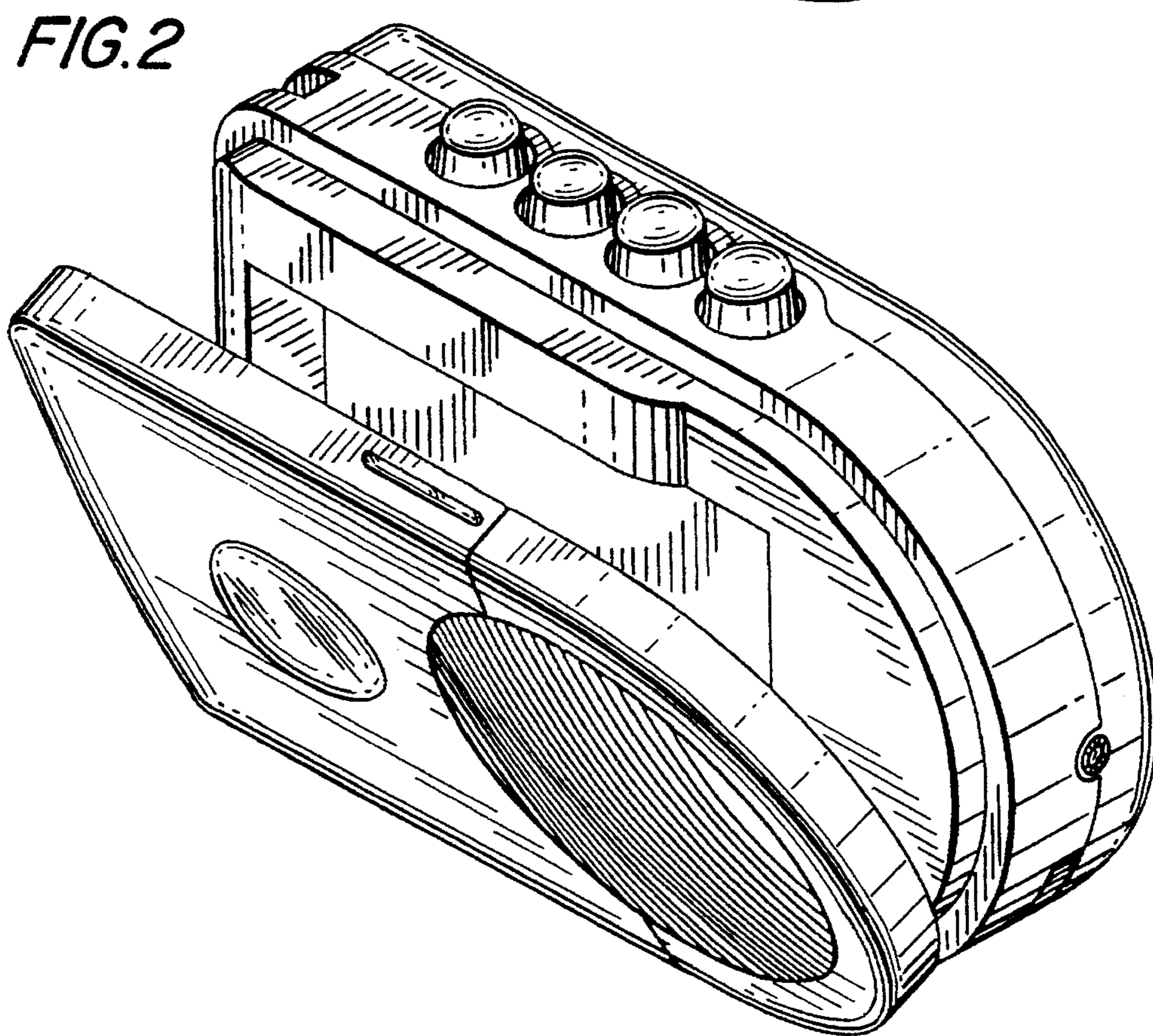
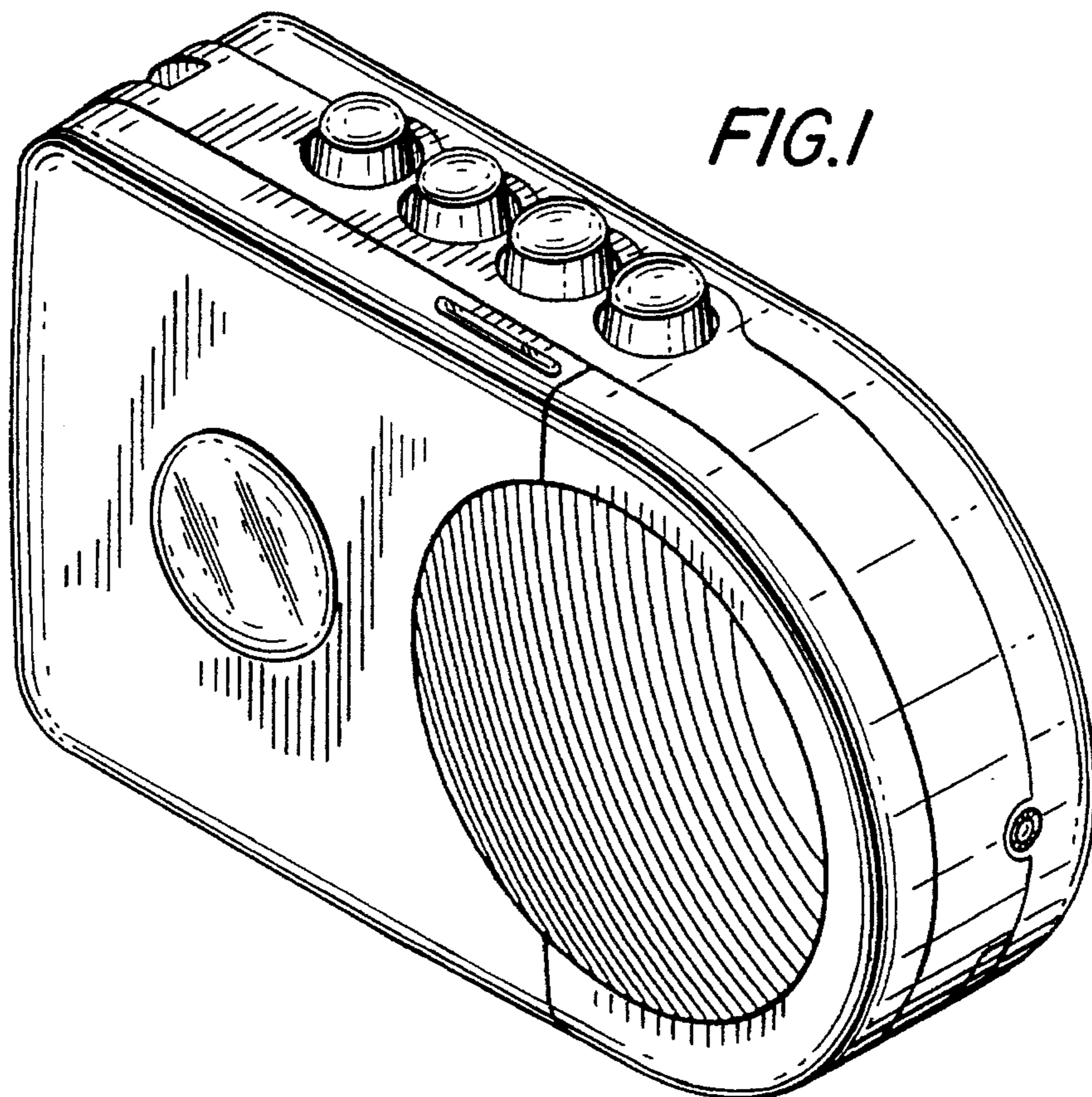


FIG.3

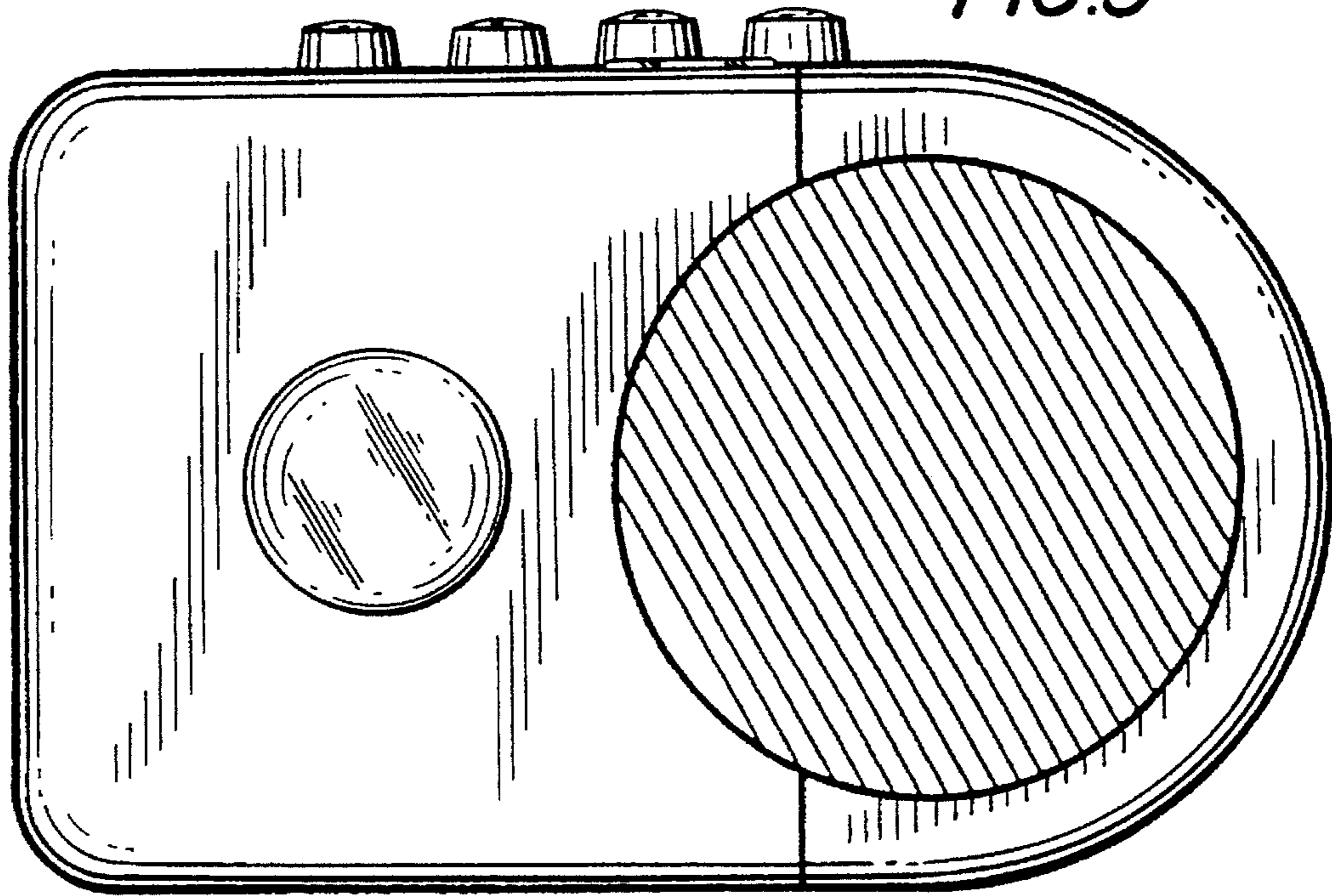
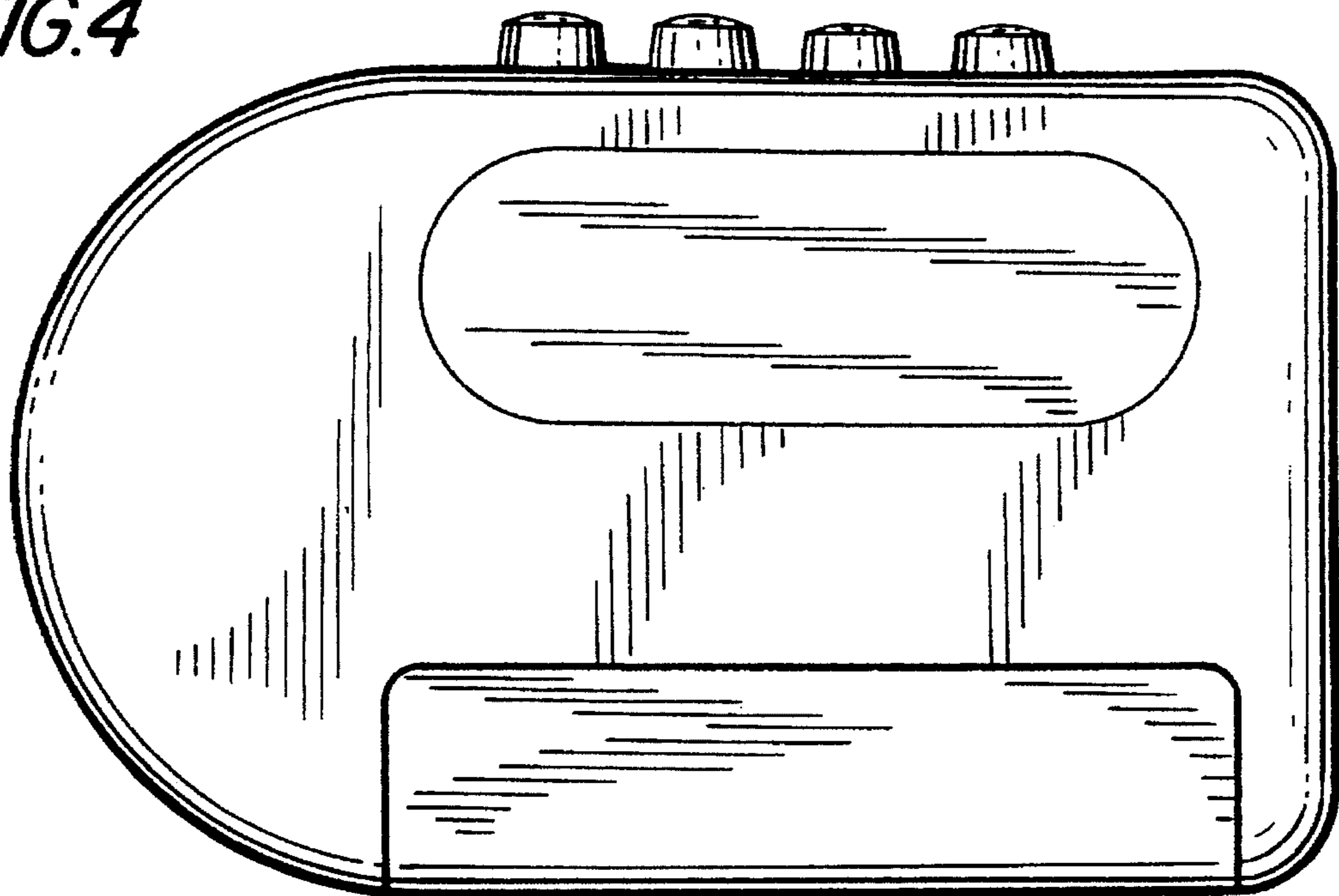


FIG.4



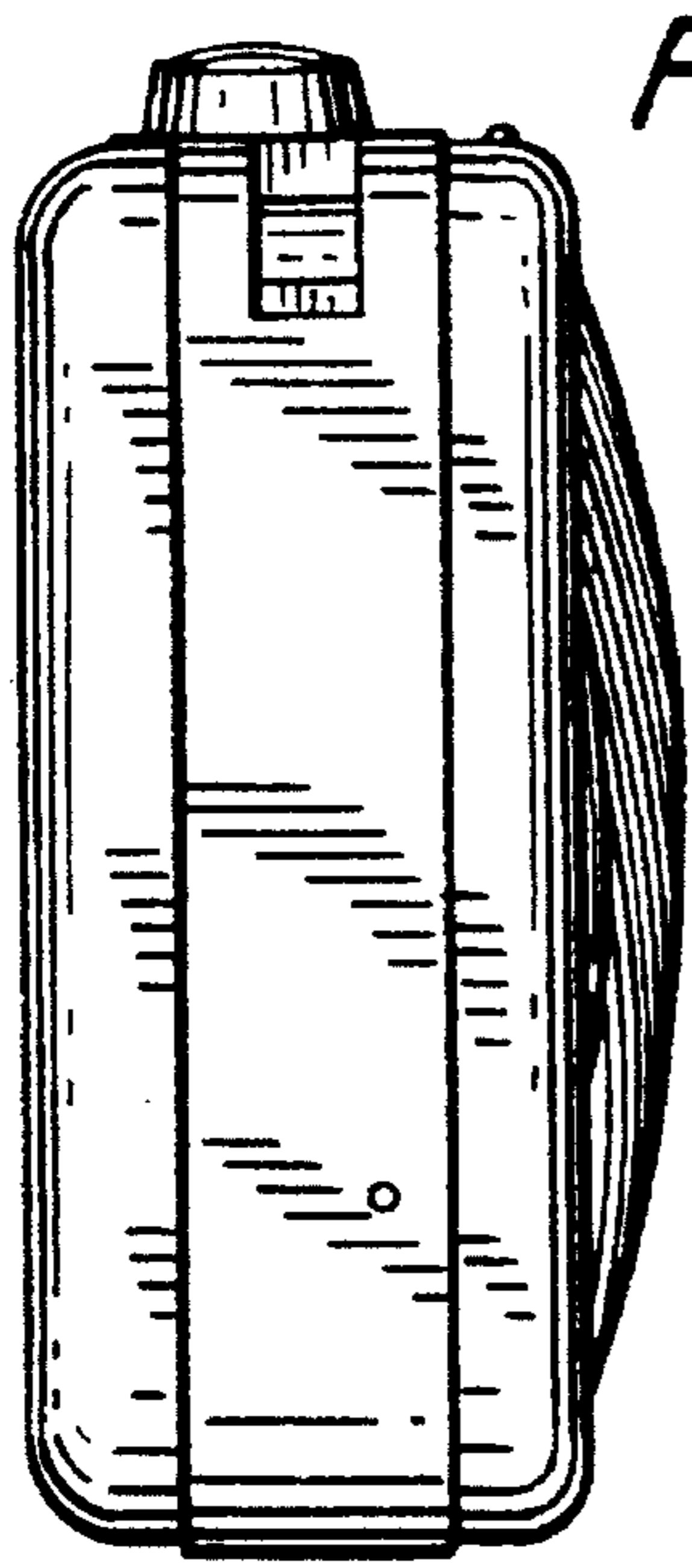


FIG. 5

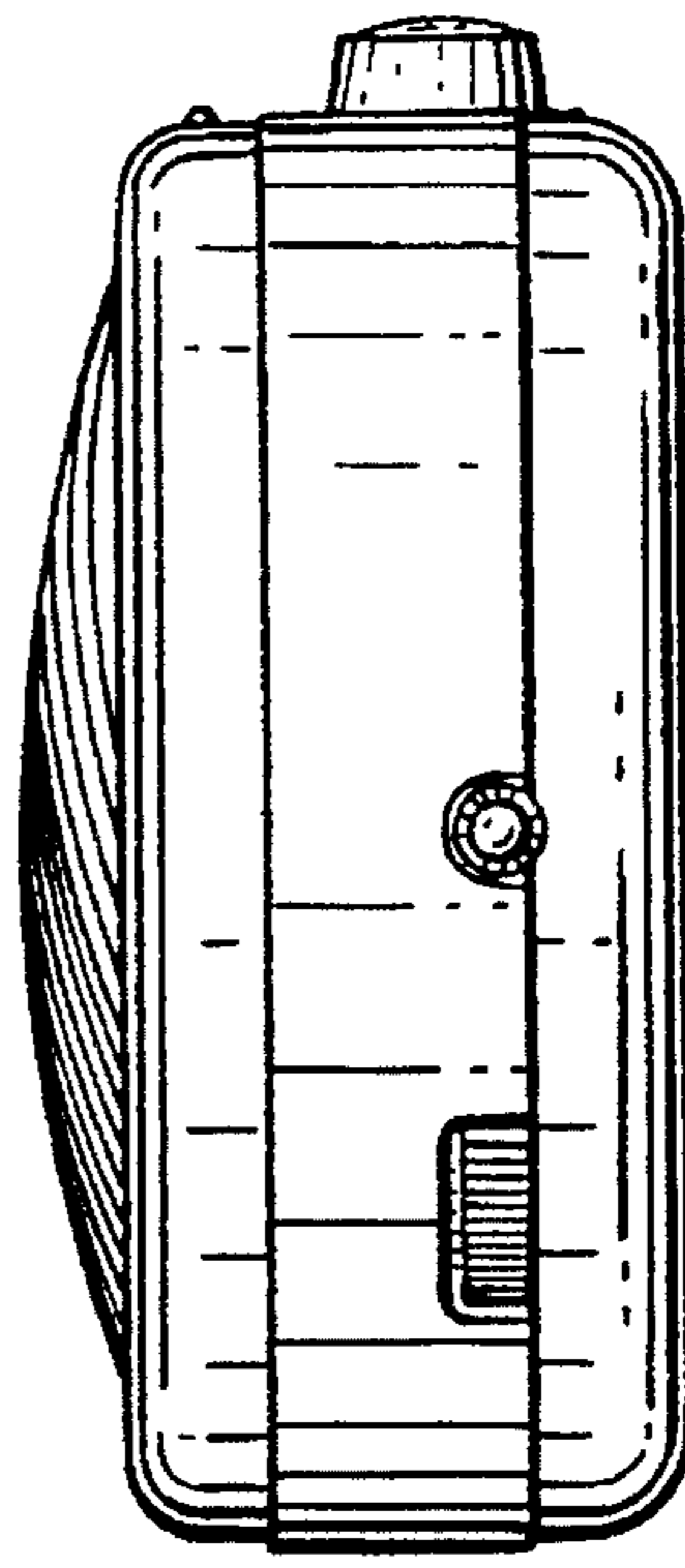


FIG. 6

FIG. 7

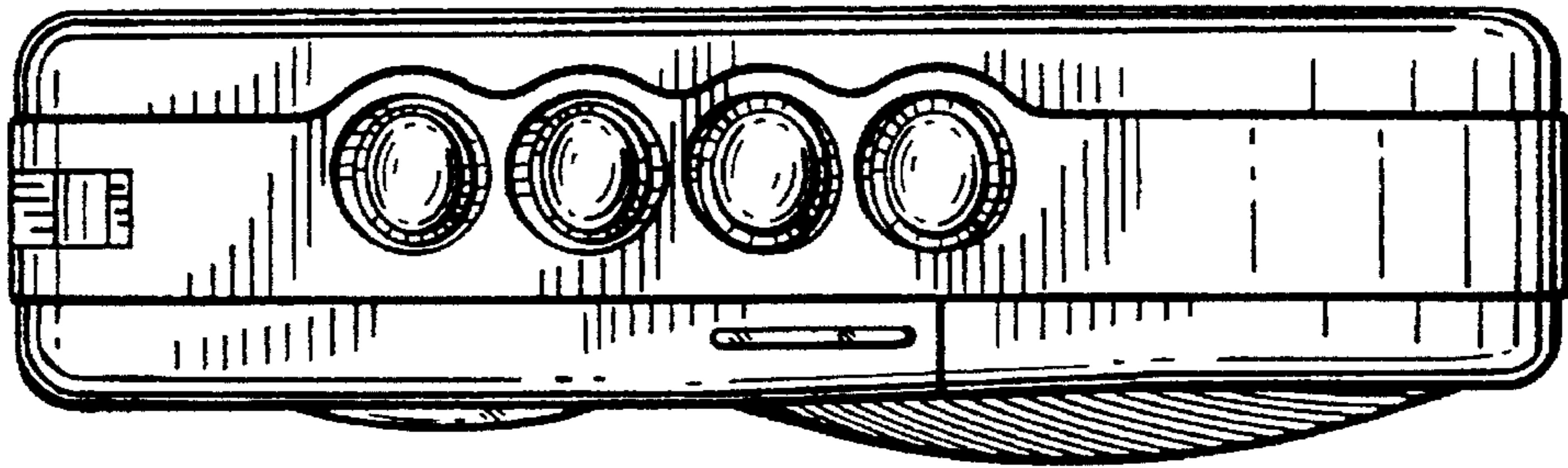


FIG. 8

