



US00D367057S

# United States Patent [19]

[11] Patent Number: **Des. 367,057**

**Wong**

[45] Date of Patent: **\*\*Feb. 13, 1996**

[54] RADIO CLOCK

[75] Inventor: **L. Ling Wong**, Shatin, Hong Kong

[73] Assignee: **Ballanda Limited**, Hong Kong

[\*\*] Term: **14 Years**

[21] Appl. No.: **14,297**

[22] Filed: **Oct. 19, 1993**

[52] U.S. Cl. .... **D14/171; D14/193**

[58] Field of Search ..... **D10/2, 15; D14/168, D14/170-171, 188-198; 312/7.1; 455/344-347, 350-351**

[56] **References Cited**

**U.S. PATENT DOCUMENTS**

D. 264,716	6/1982	Nakajima et al. ....	D10/2 X
D. 295,404	4/1988	Tokiyama .....	D14/137
D. 315,732	3/1991	Shimasaki .....	D14/188 X
D. 340,717	10/1993	Grimes .....	D14/198 X
D. 346,166	4/1994	Wong .....	D10/2 X

Primary Examiner—Ted Shooman

Assistant Examiner—Nanda Bondade  
Attorney, Agent, or Firm—Beveridge, DeGrandi, Weilacher & Young

[57] **CLAIM**

The ornamental design for a radio clock, as shown and described.

**DESCRIPTION**

FIG. 1 is a top plan view of a radio clock showing my new design;  
 FIG. 2 is a bottom plan view thereof;  
 FIG. 3 is a front elevational view thereof;  
 FIG. 4 is a left side elevational view thereof;  
 FIG. 5 is a right side elevational view thereof;  
 FIG. 6 is a rear elevational view thereof;  
 FIG. 7 is a top plan view thereof, with a lid thereof shown in a covered position;  
 FIG. 8 is a front elevational view thereof, with the lid thereof shown in a covered position; and,  
 FIG. 9 is a left side elevational view thereof, with the lid thereof shown in a covered position.

1 Claim, 4 Drawing Sheets

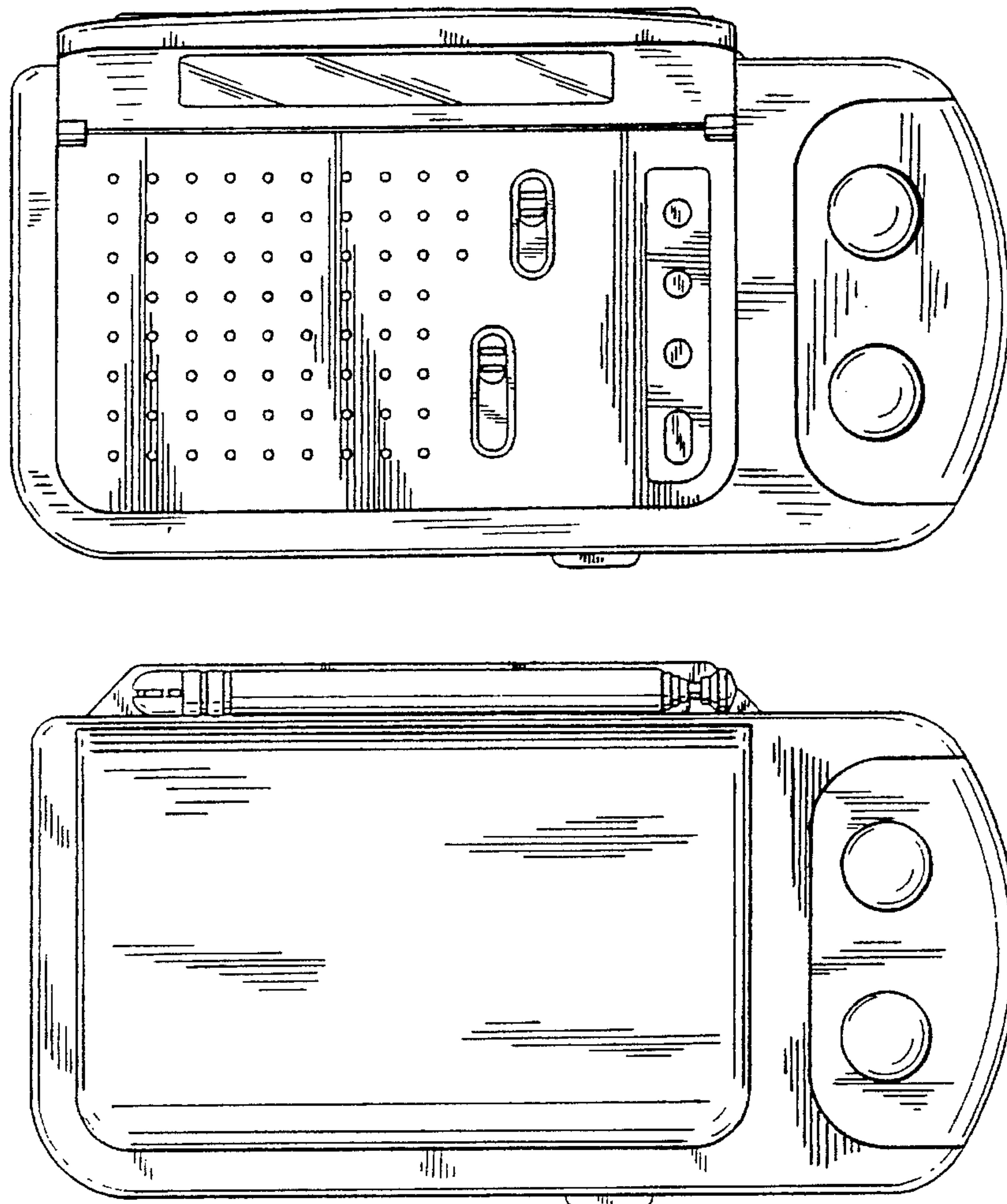


FIG. 1

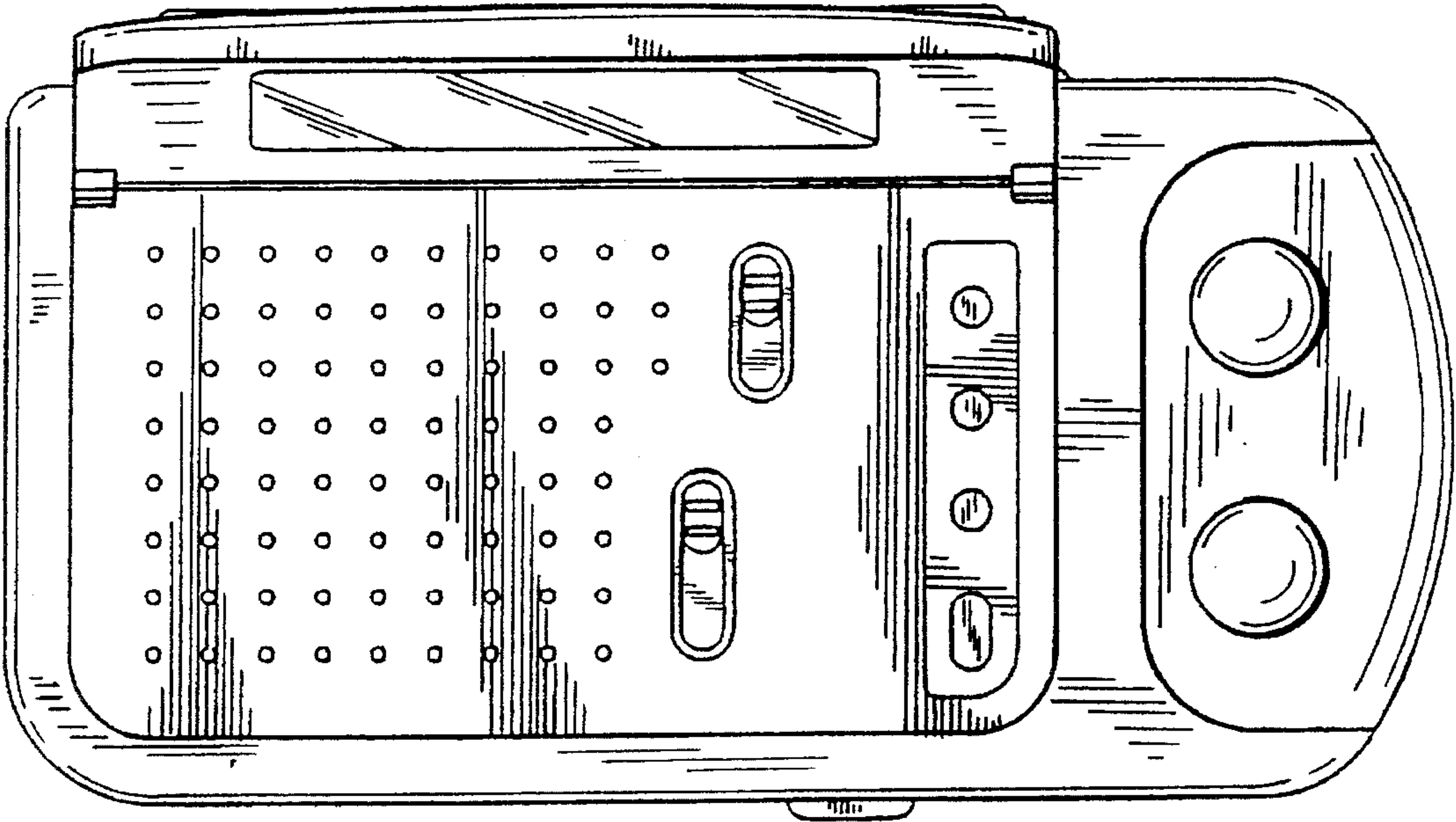


FIG. 2

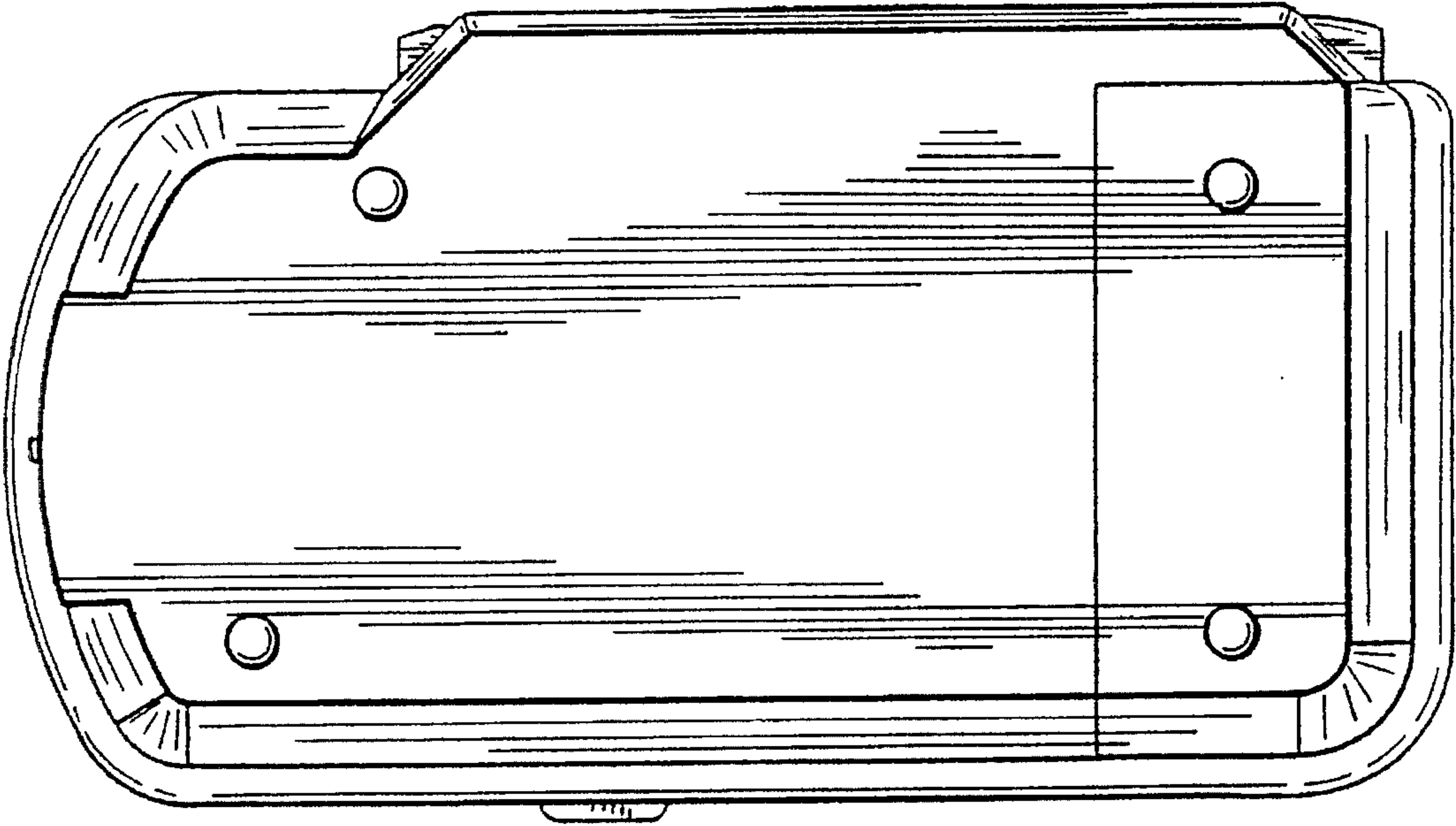


FIG. 3

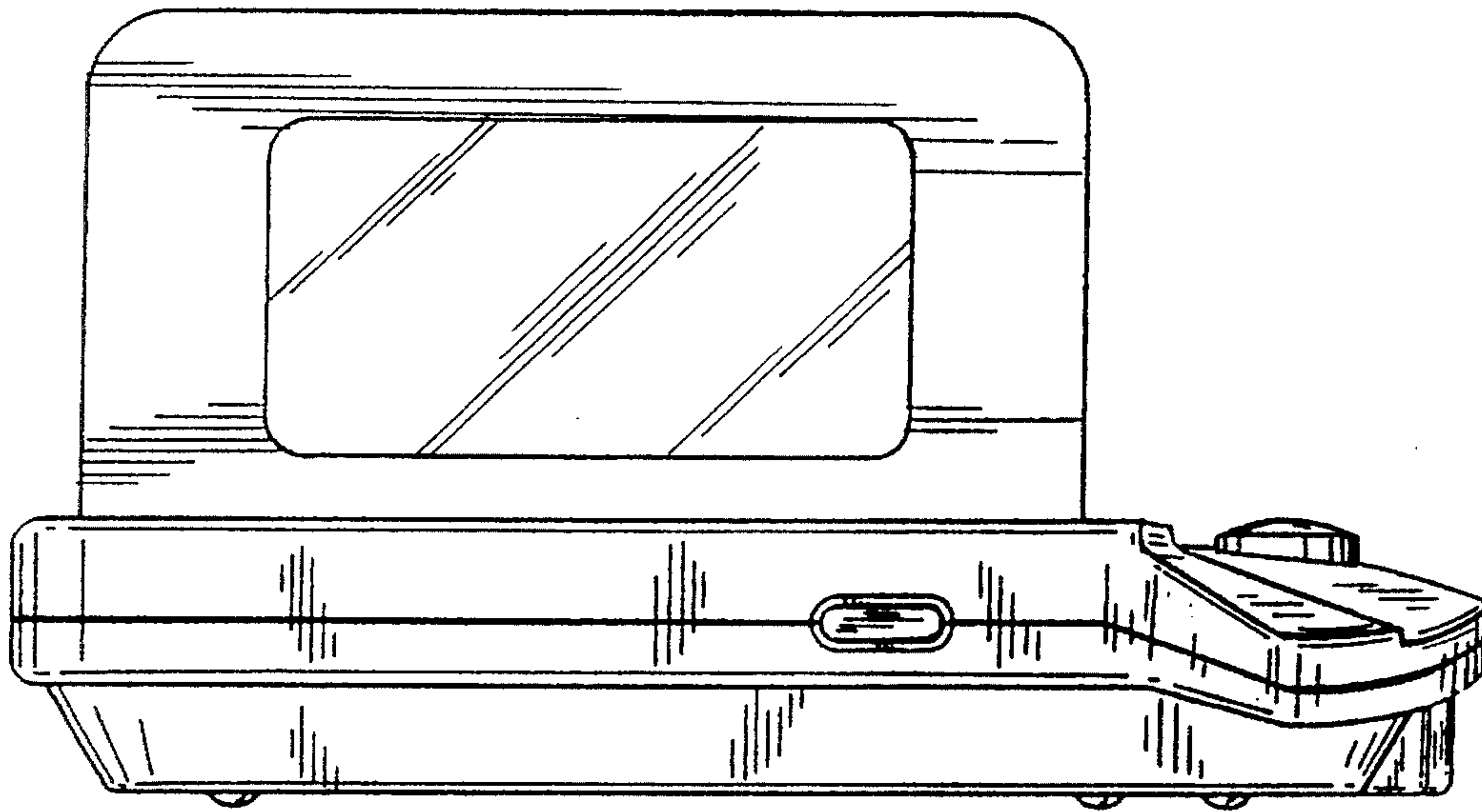


FIG. 4

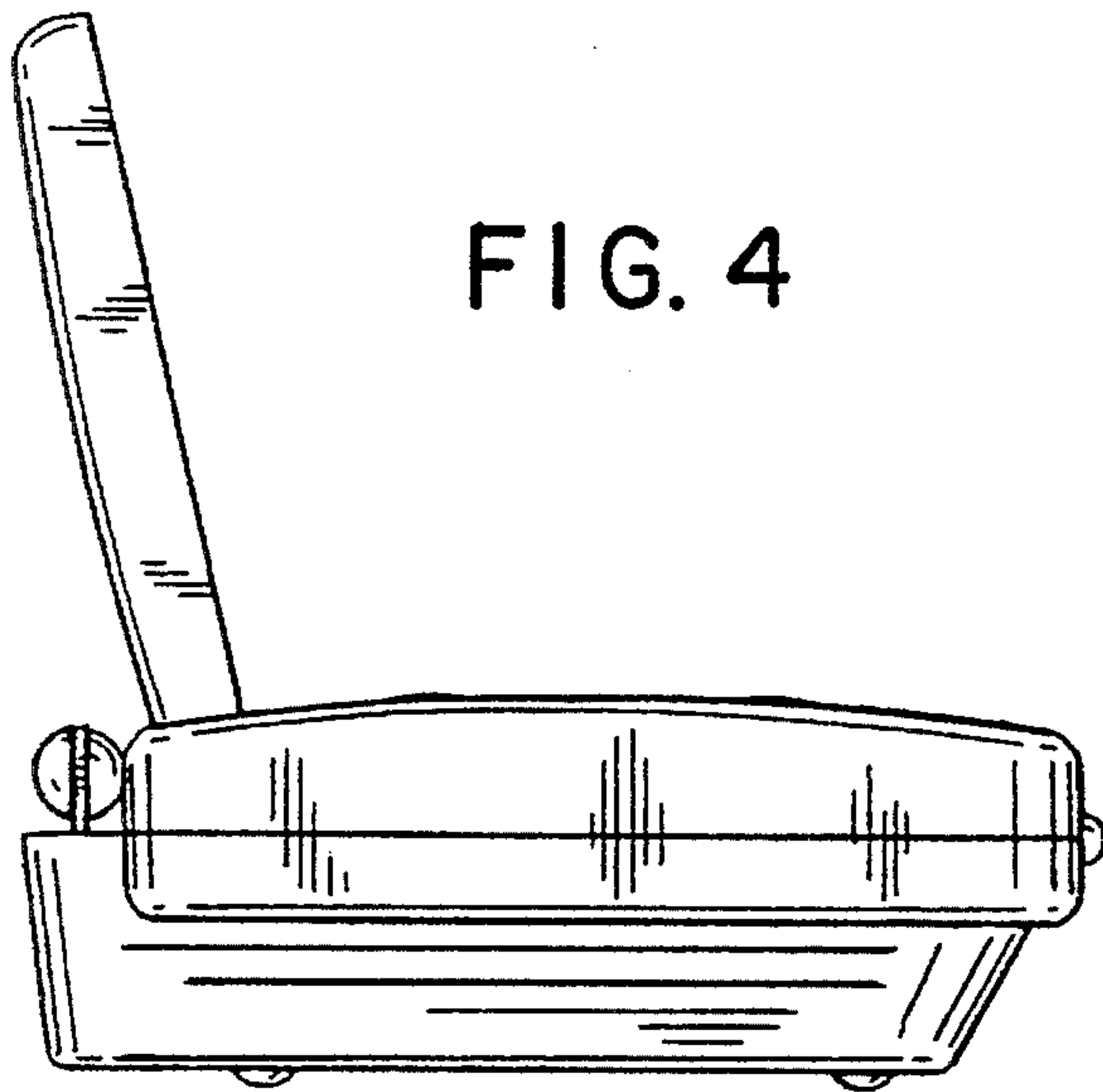


FIG. 5

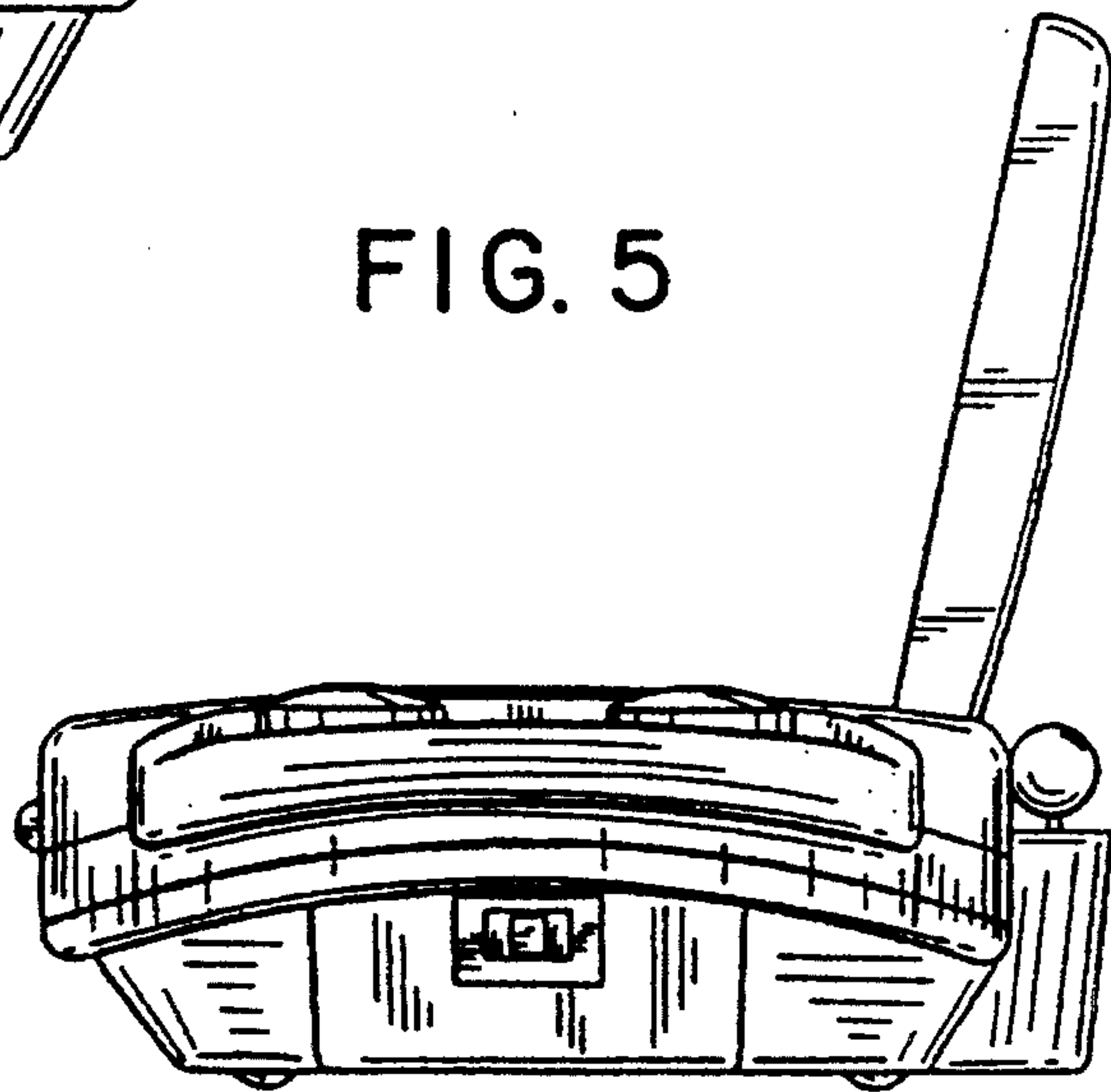




FIG. 6

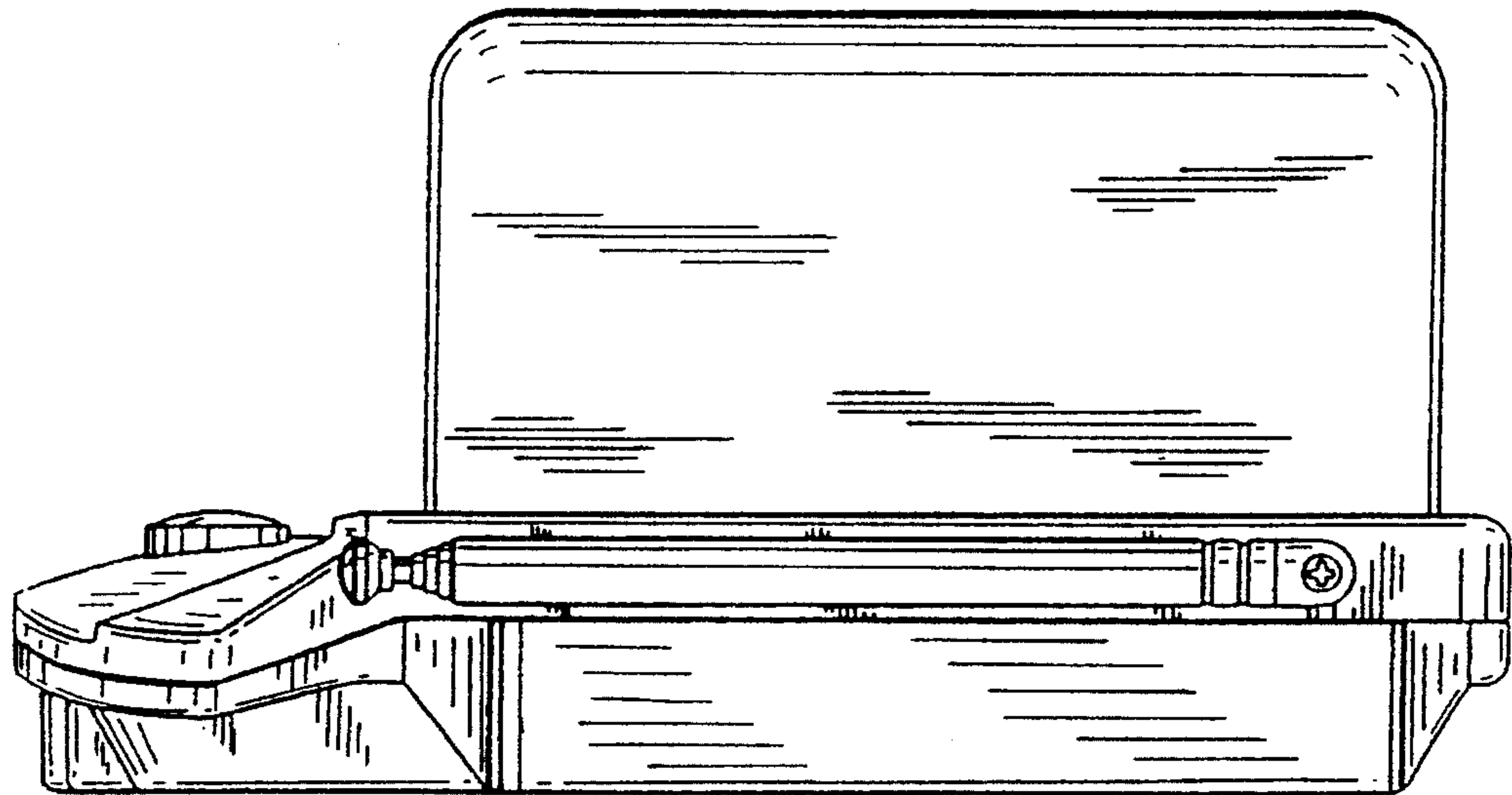


FIG. 7

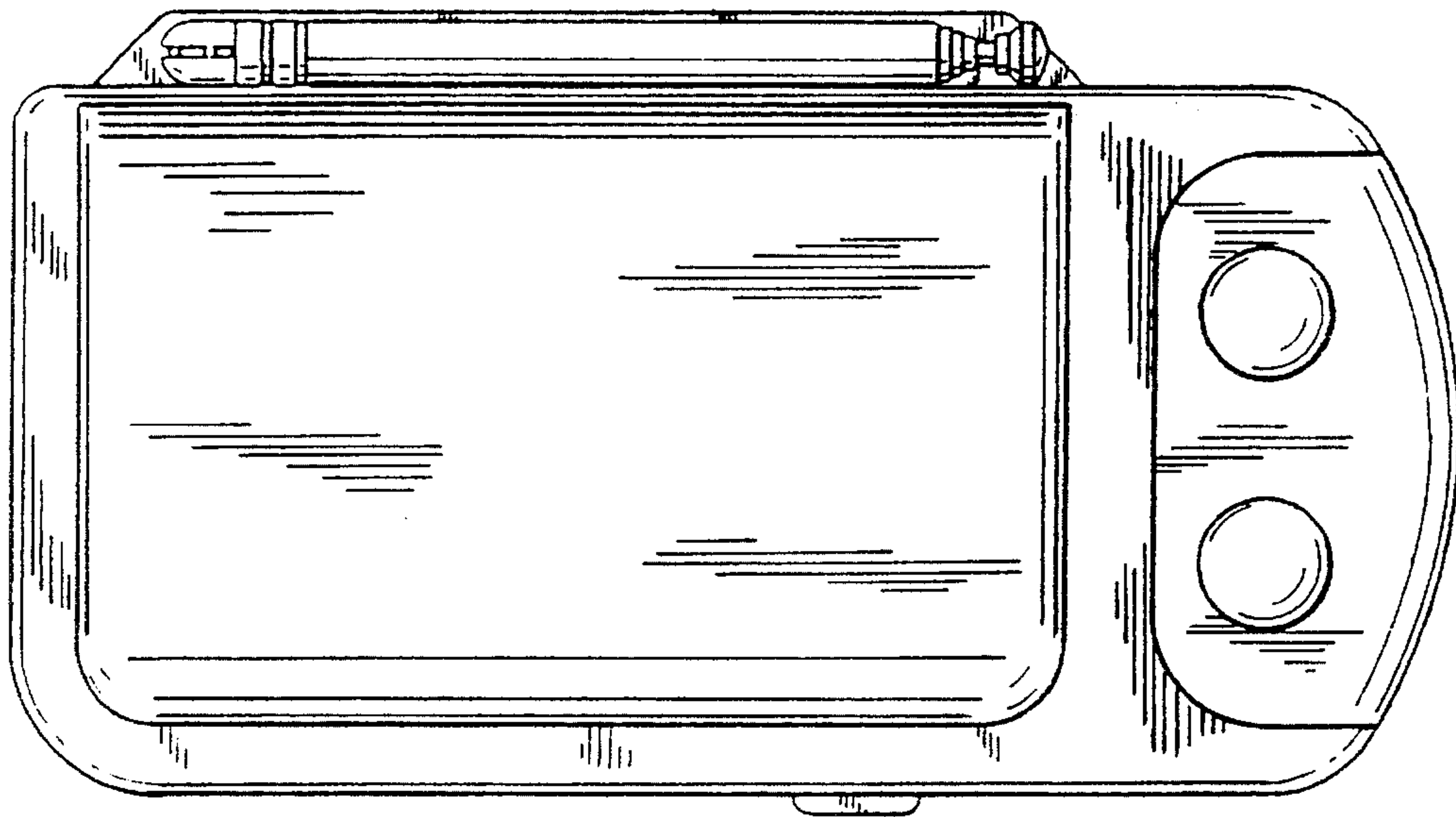


FIG. 8

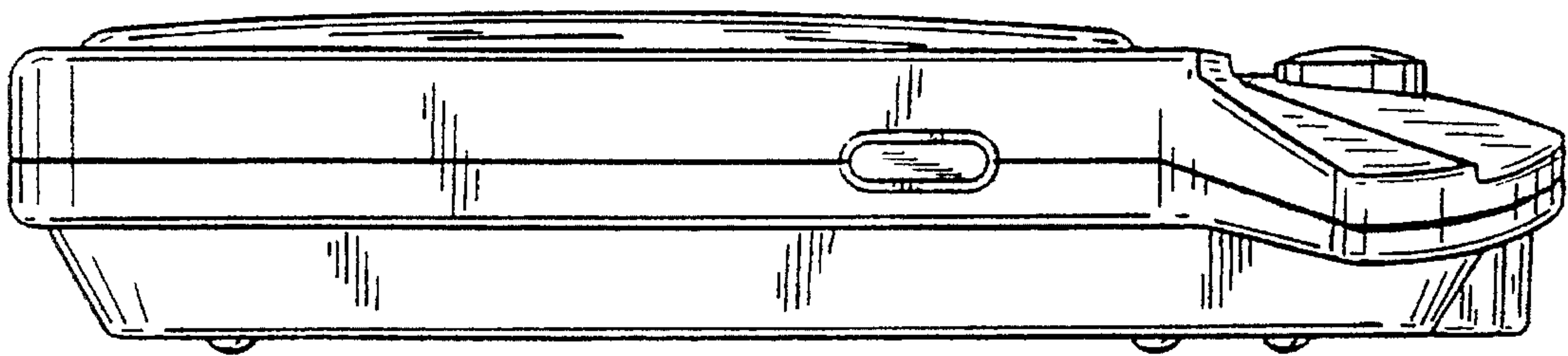


FIG. 9

