



US00D367055S

United States Patent [19]

[11] Patent Number: **Des. 367,055**

Isonaga

[45] Date of Patent: ****Feb. 13, 1996**

[54] TAPE PLAYER

D. 328,896	8/1992	Warburton	D14/171
D. 343,617	1/1994	Kawase et al.	D14/170
D. 348,460	7/1994	Suzuki	D14/165

[75] Inventor: **Yasuaki Isonaga**, Tokyo, Japan

[73] Assignee: **Sony Corporation**, Tokyo, Japan

Primary Examiner—Ted Shooman
Assistant Examiner—Nanda Bondade
Attorney, Agent, or Firm—Thomas G. Carulli

[**] Term: **14 Years**

[57] **CLAIM**

[21] Appl. No.: **23,681**

The ornamental design for a tape player, as shown and described.

[22] Filed: **May 31, 1994**

[30] **Foreign Application Priority Data**

DESCRIPTION

Dec. 3, 1993 [JP] Japan 5-36503

[52] U.S. Cl. **D14/165**; D14/163

[58] Field of Search D14/124, 154,
D14/160-171, 188-198, 257, 260, 299;
455/344, 350-351

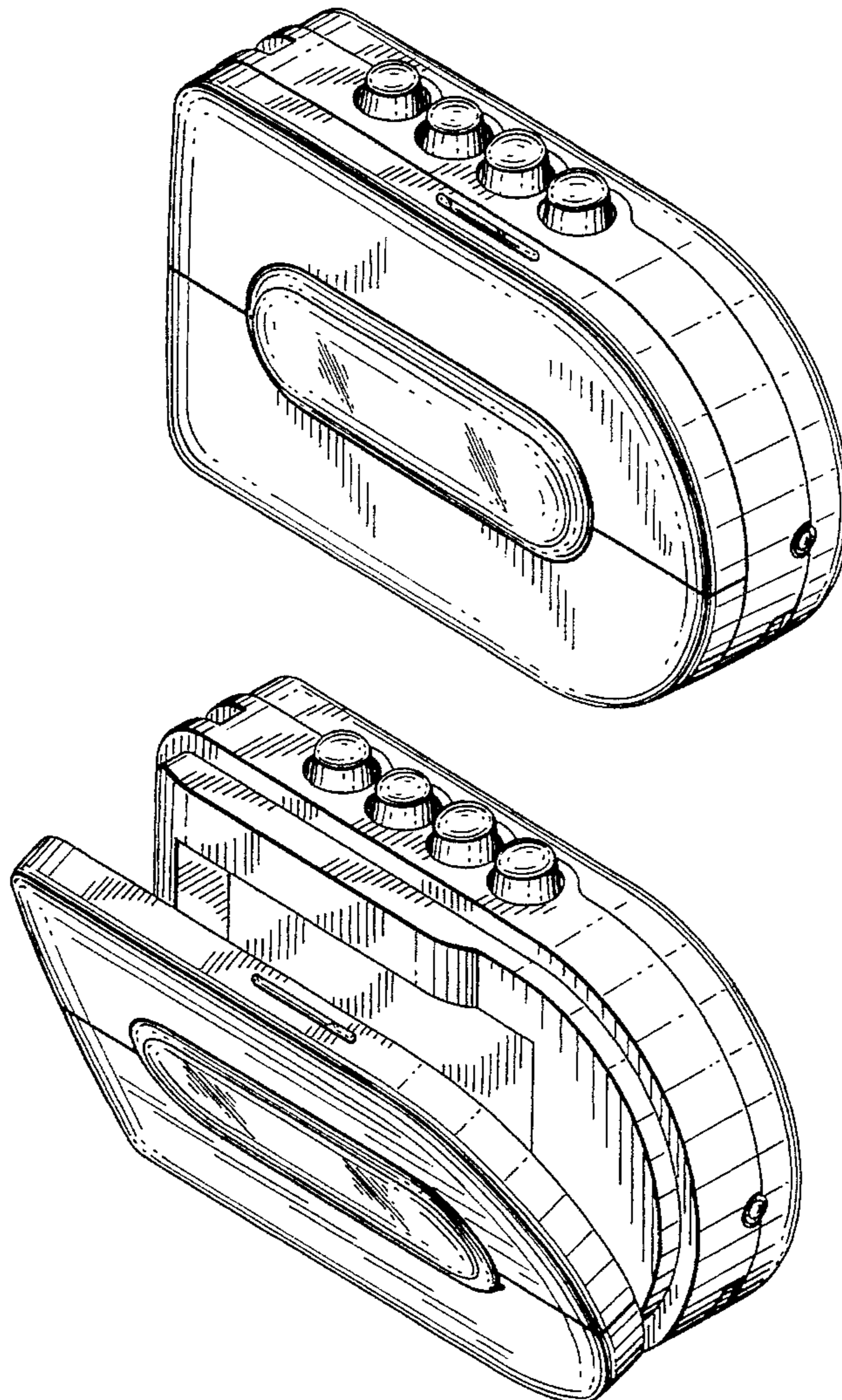
FIG. 1 is a top, front and right-side perspective view of a tape player, showing my new design;
FIG. 2 is a top, front and right-side perspective view thereof, shown in the open position;
FIG. 3 is a front elevational view thereof;
FIG. 4 is a rear elevational view thereof;
FIG. 5 is a left-side elevational view thereof;
FIG. 6 is a right-side elevational view thereof;
FIG. 7 is a top plan view thereof; and,
FIG. 8 is a bottom plan view thereof.

[56] **References Cited**

U.S. PATENT DOCUMENTS

D. 146,373	2/1947	Nichols	D14/160
D. 306,589	3/1990	Murayama	D14/165
D. 326,652	6/1992	Kanno	D14/163 X

1 Claim, 3 Drawing Sheets



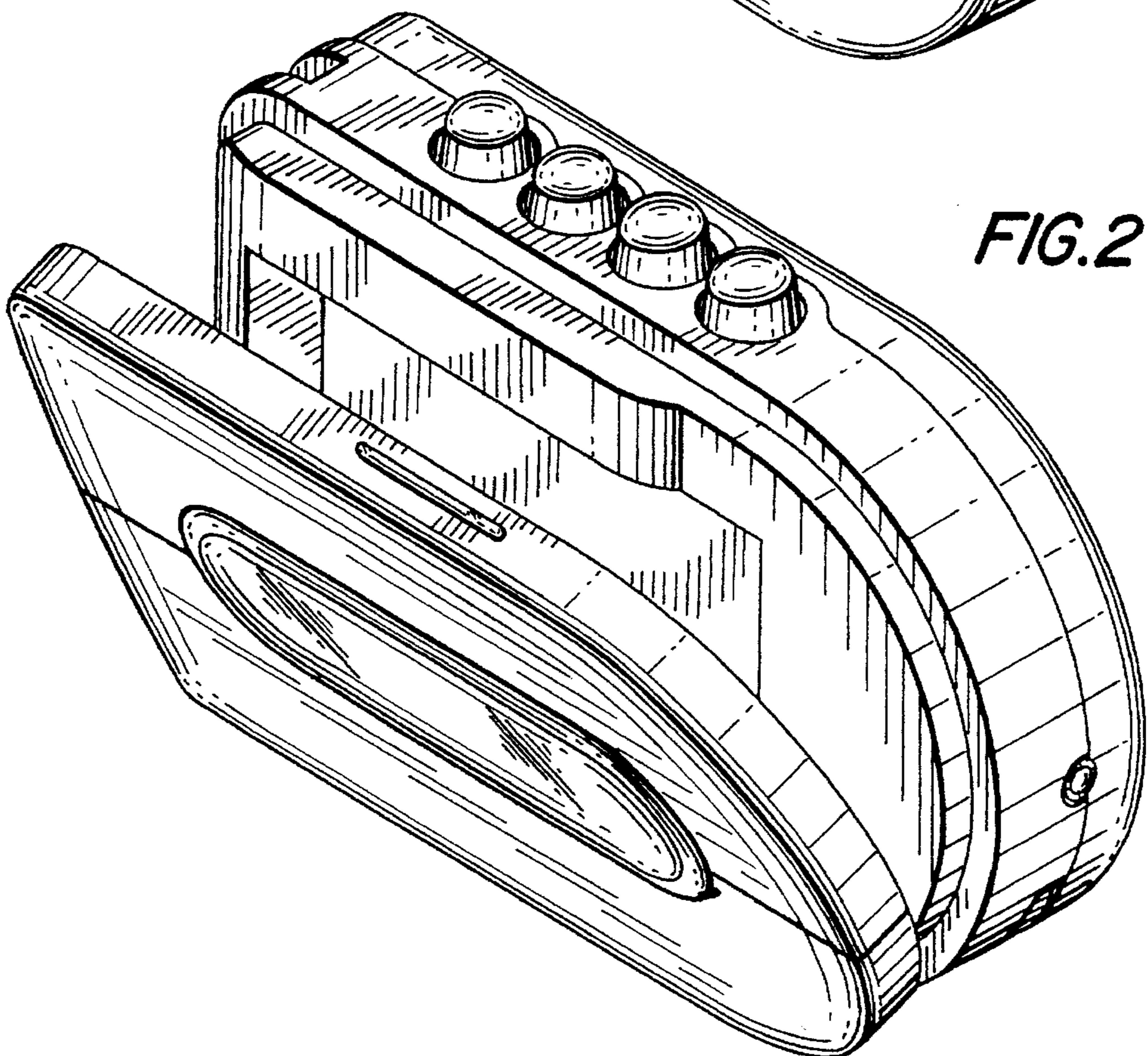
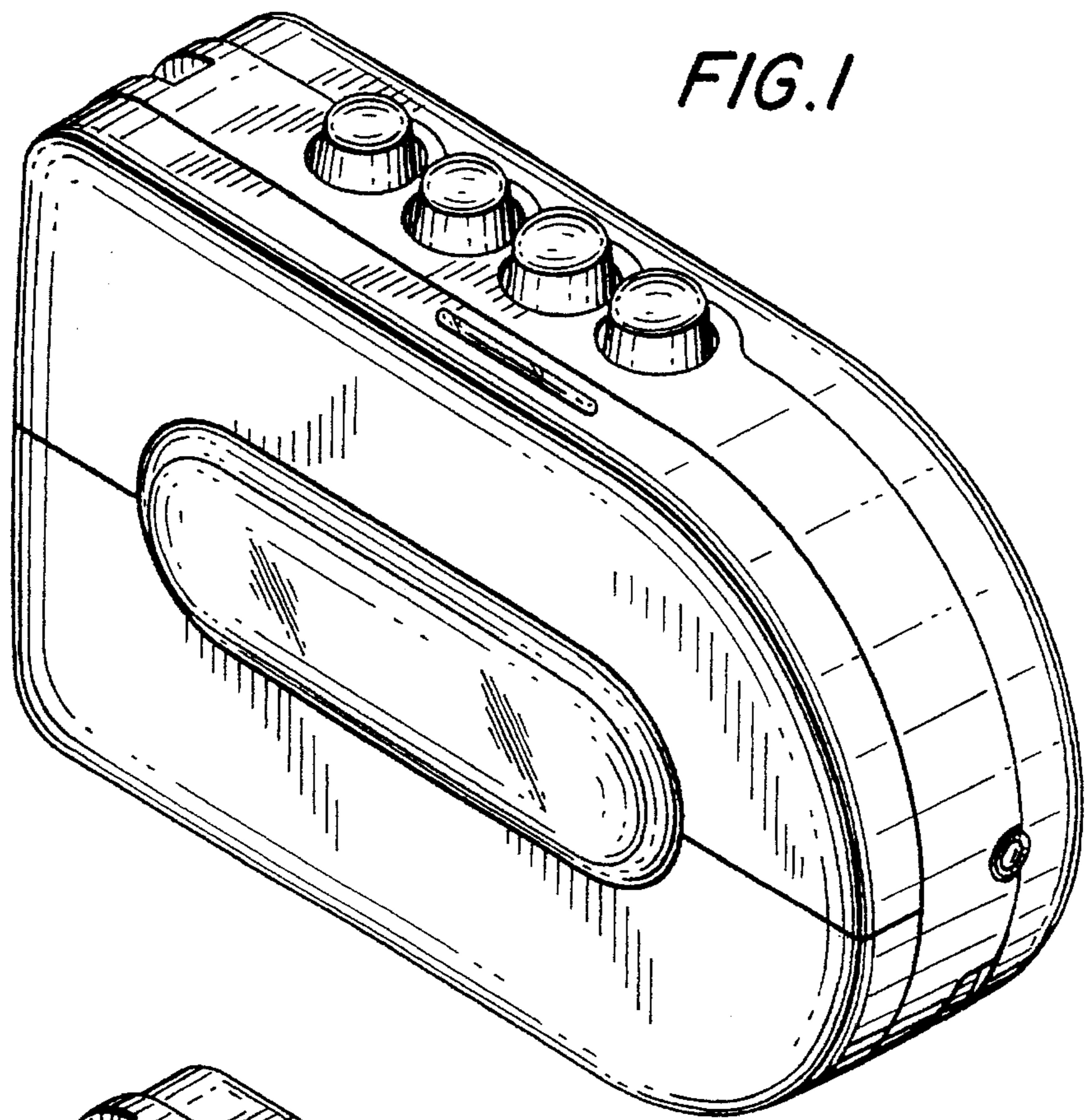


FIG. 3

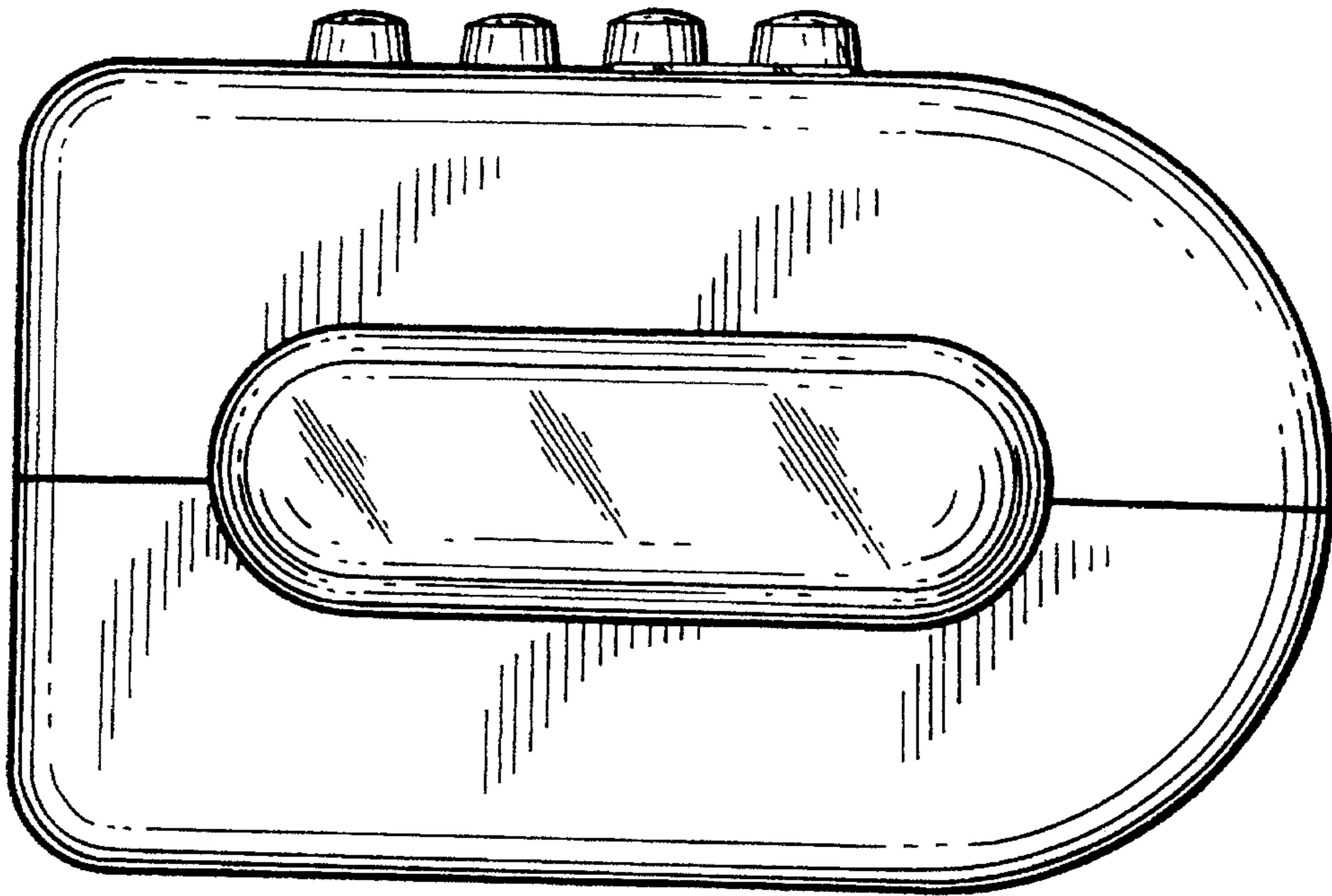


FIG. 4

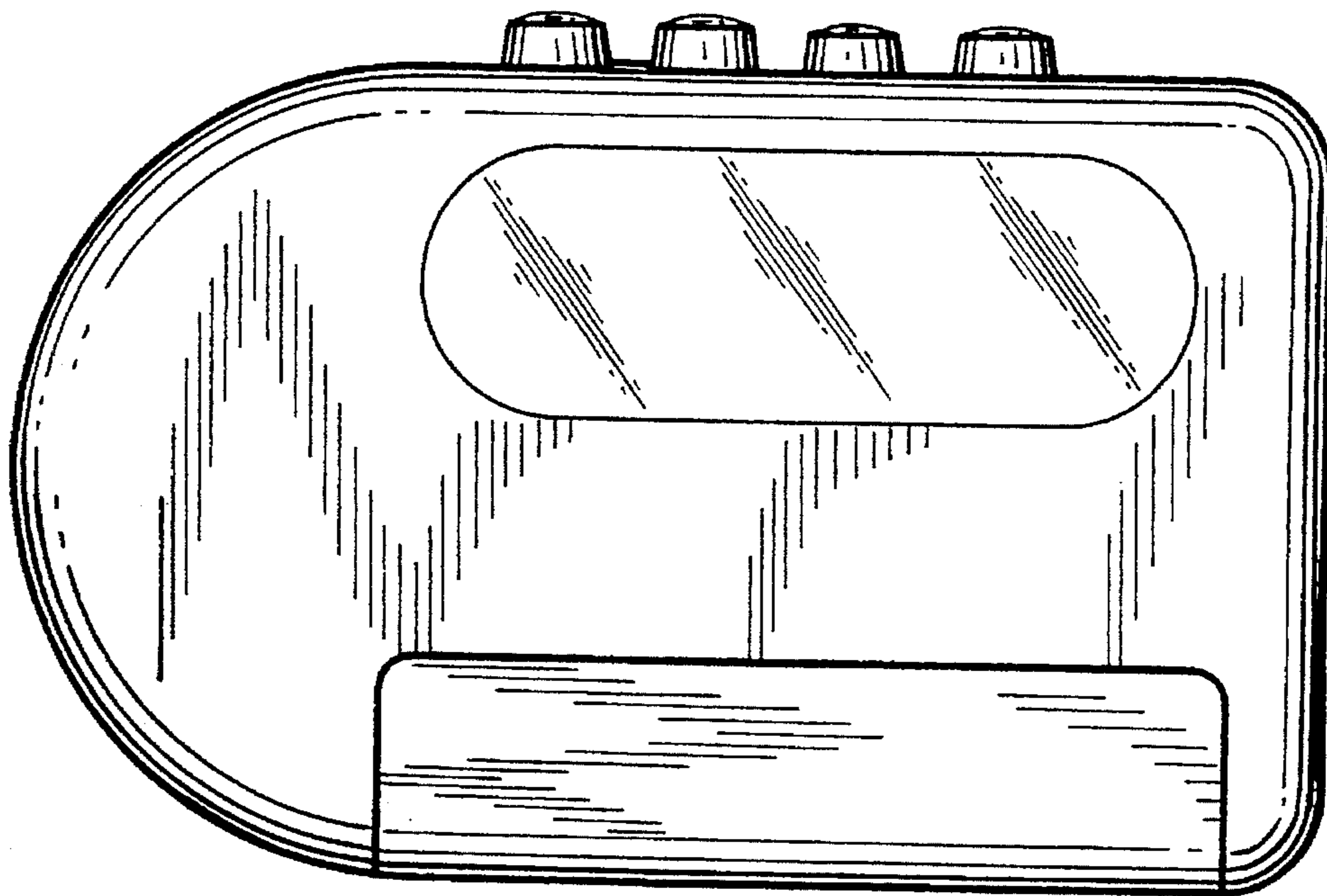


FIG.5

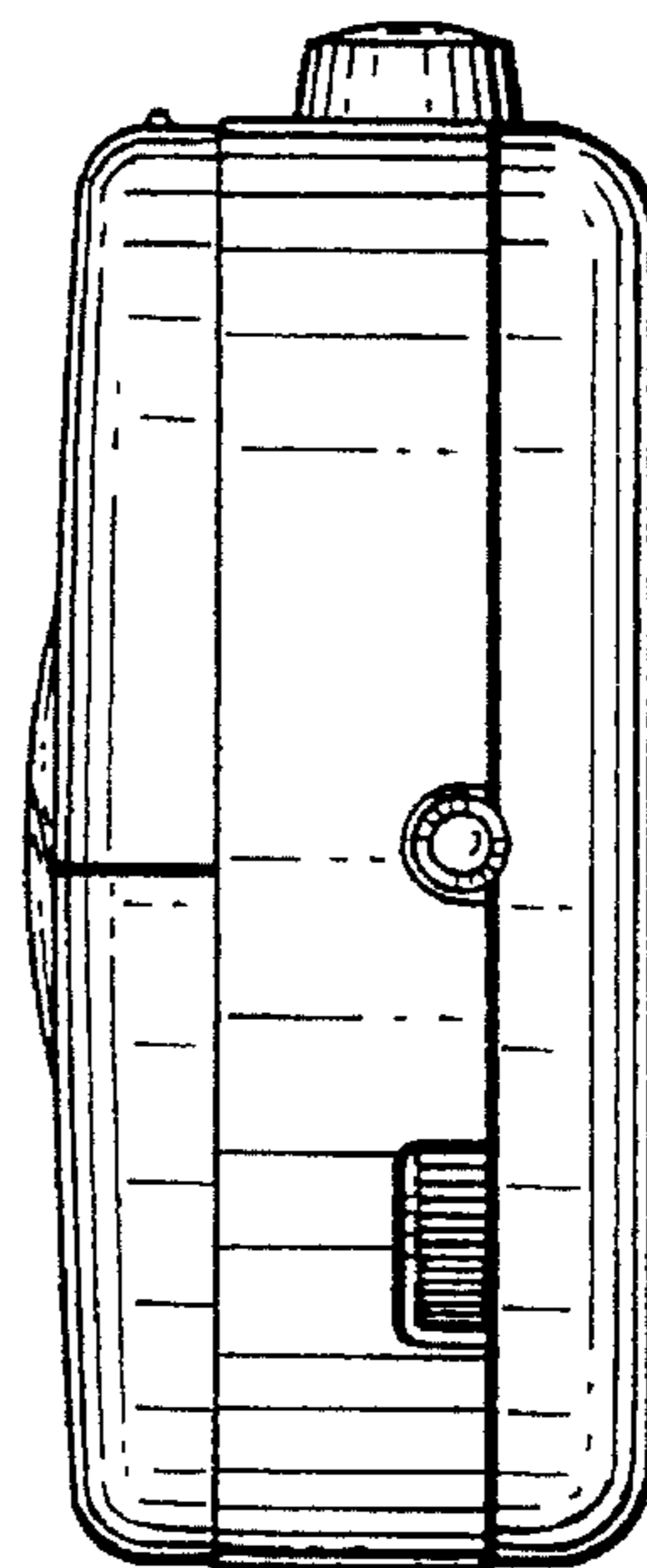
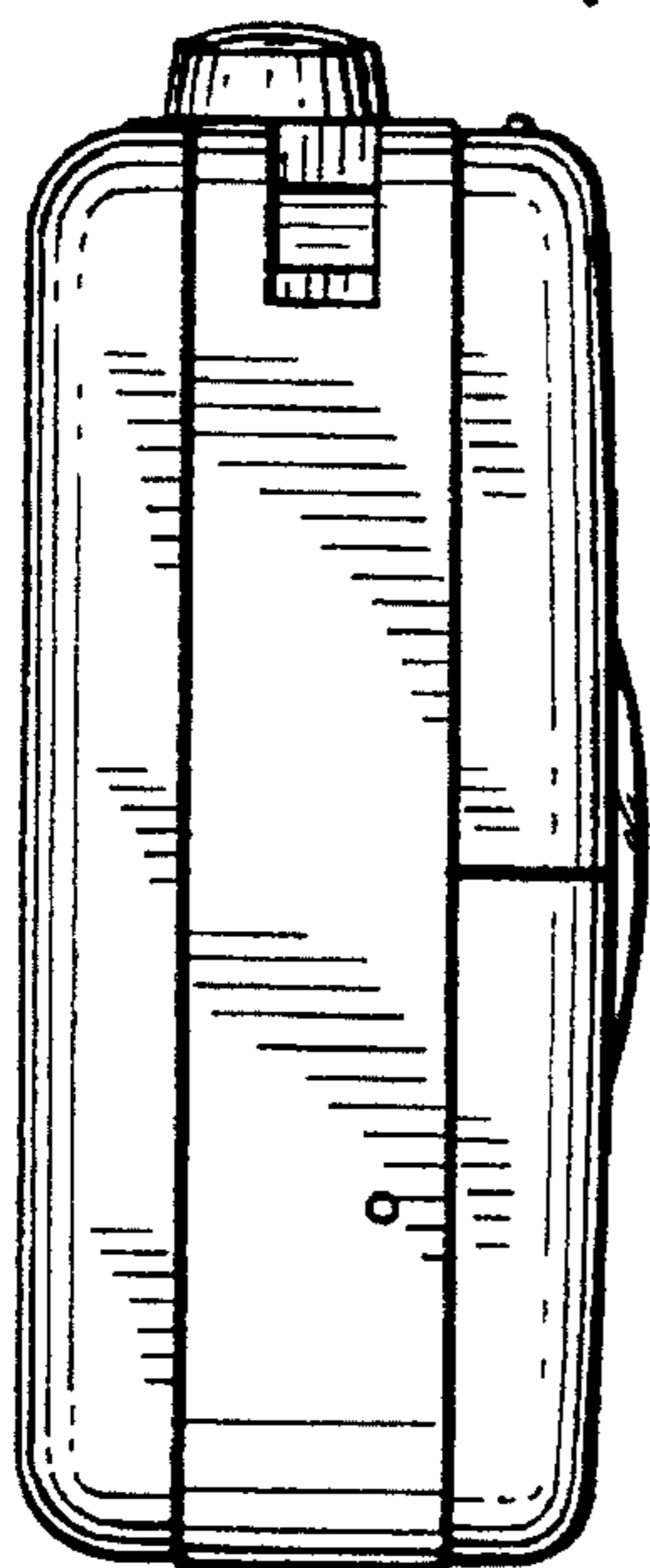


FIG.6

FIG.7

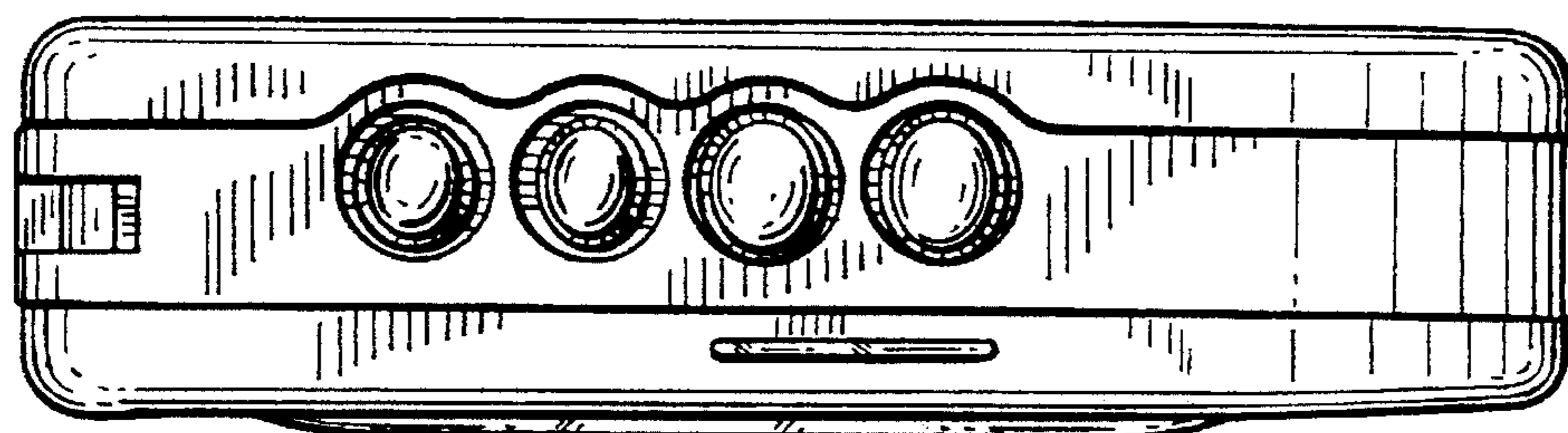


FIG.8

