



US00D367054S

# United States Patent [19] Isonaga

[11] Patent Number: **Des. 367,054**

[45] Date of Patent: **\*\*Feb. 13, 1996**

[54] **COMBINED TAPE PLAYER AND RADIO TUNER**

D. 328,896 8/1992 Warburton ..... D14/171  
D. 343,617 1/1994 Kawase et al. .... D14/170  
D. 348,460 7/1994 Suzuki ..... D14/165

[75] Inventor: **Yasuaki Isonaga**, Tokyo, Japan

*Primary Examiner*—Ted Shooman  
*Assistant Examiner*—Nanda Bondade  
*Attorney, Agent, or Firm*—Thomas G. Carulli

[73] Assignee: **Sony Corporation**, Tokyo, Japan

[\*\*] Term: **14 Years**

[57] **CLAIM**

[21] Appl. No.: **23,729**

The ornamental design for a combined tape player and radio tuner, as shown and described.

[22] Filed: **May 31, 1994**

**DESCRIPTION**

[30] **Foreign Application Priority Data**

Dec. 3, 1993 [JP] Japan ..... 5-36502

[52] **U.S. Cl.** ..... **D14/163; D14/165**

[58] **Field of Search** ..... D14/124, 154,  
D14/160-171, 188-198, 257, 260, 299;  
455/344, 350-351

FIG. 1 is a top, front and right-side perspective view of a combined tape player and radio tuner, showing my new design;

FIG. 2 is a top, front and right-side perspective view thereof, shown in the open position;

FIG. 3 is a front elevational view thereof;

FIG. 4 is a rear elevational view thereof;

FIG. 5 is a left-side elevational view thereof;

FIG. 6 is a right-side elevational view thereof;

FIG. 7 is a top plan view thereof; and,

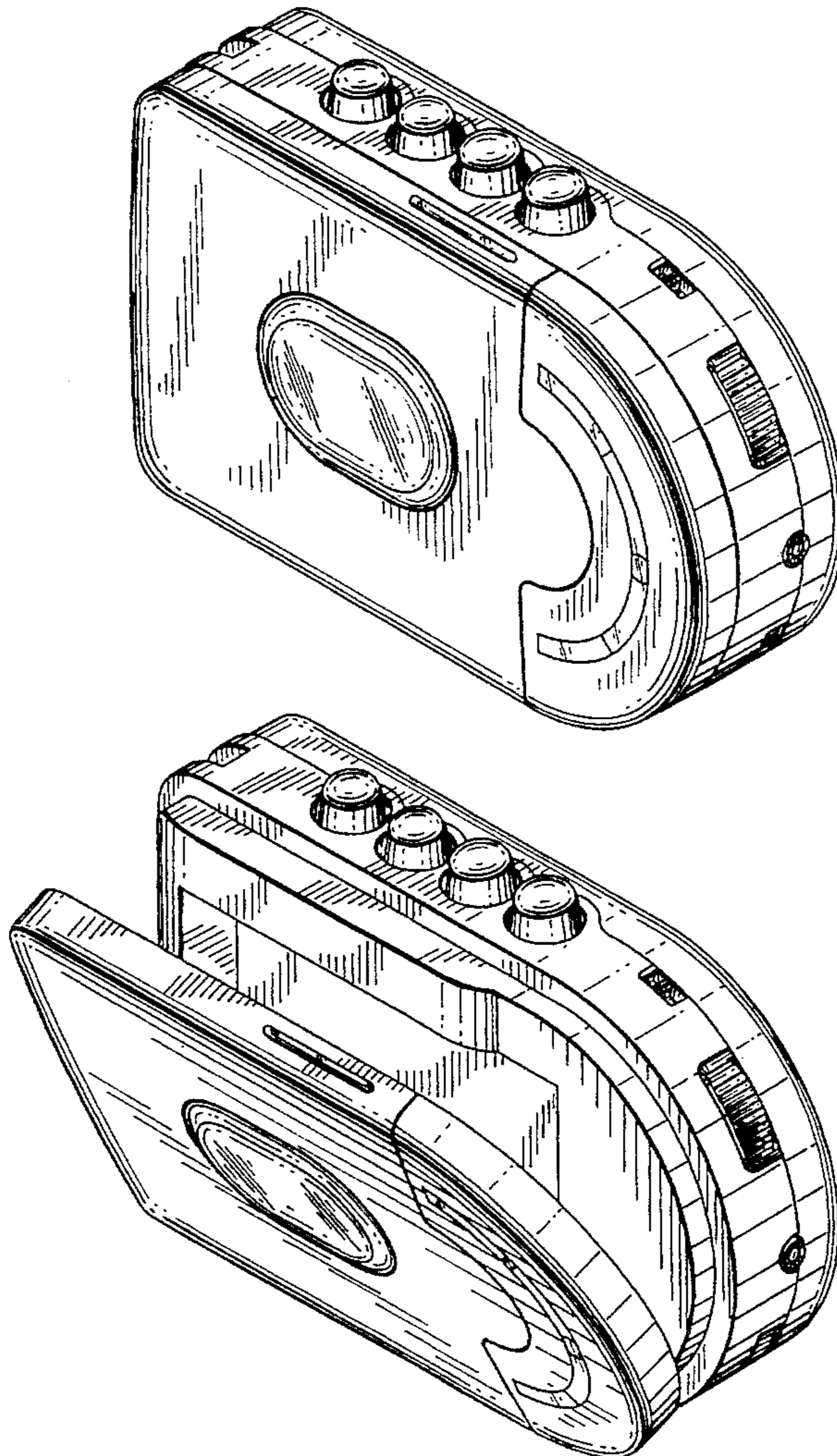
FIG. 8 is a bottom plan view thereof.

[56] **References Cited**

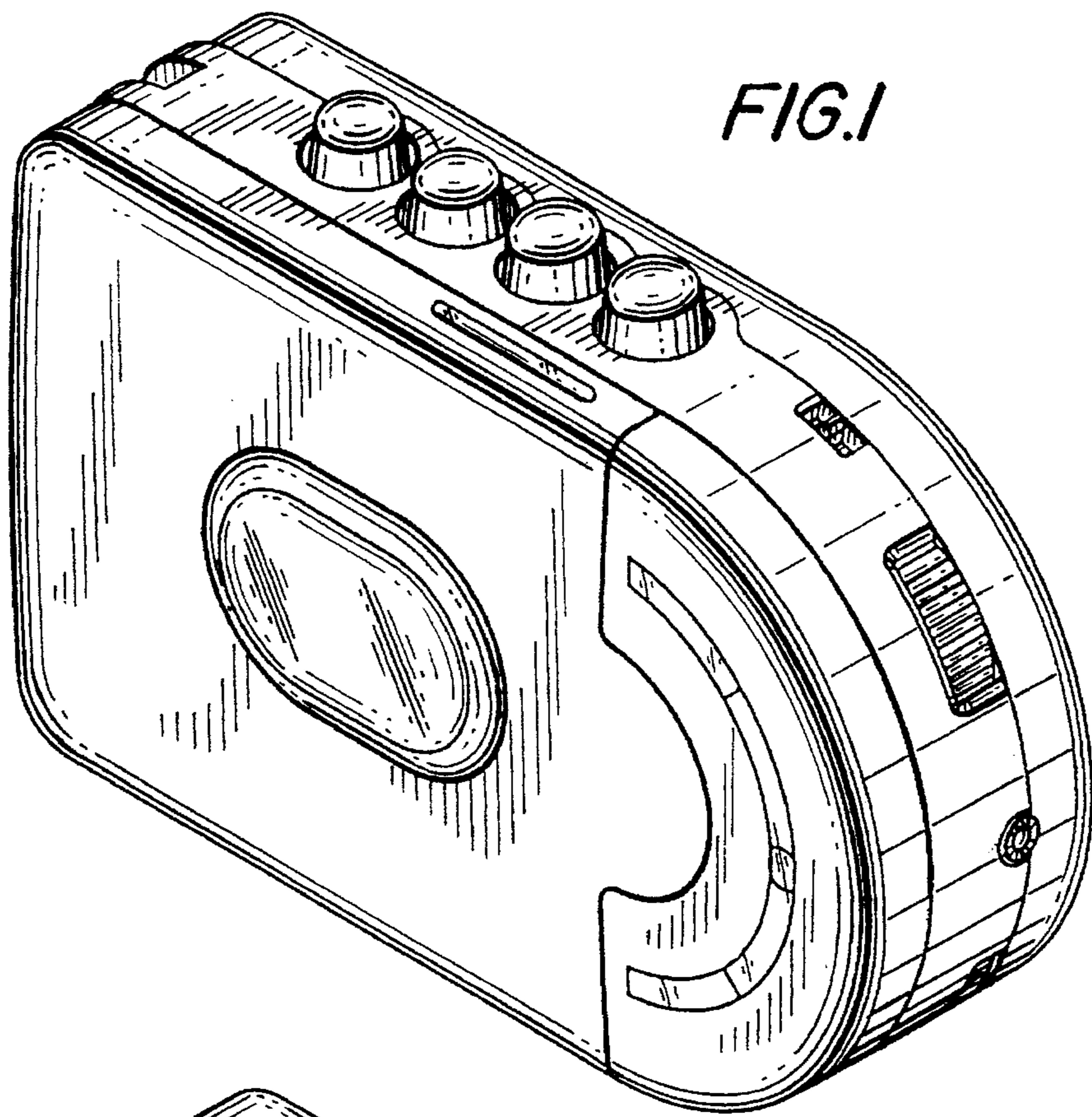
**U.S. PATENT DOCUMENTS**

D. 146,373 2/1947 Nichols ..... D14/160  
D. 306,589 3/1990 Murayama ..... D14/165  
D. 326,652 6/1992 Kanno ..... D14/163 X

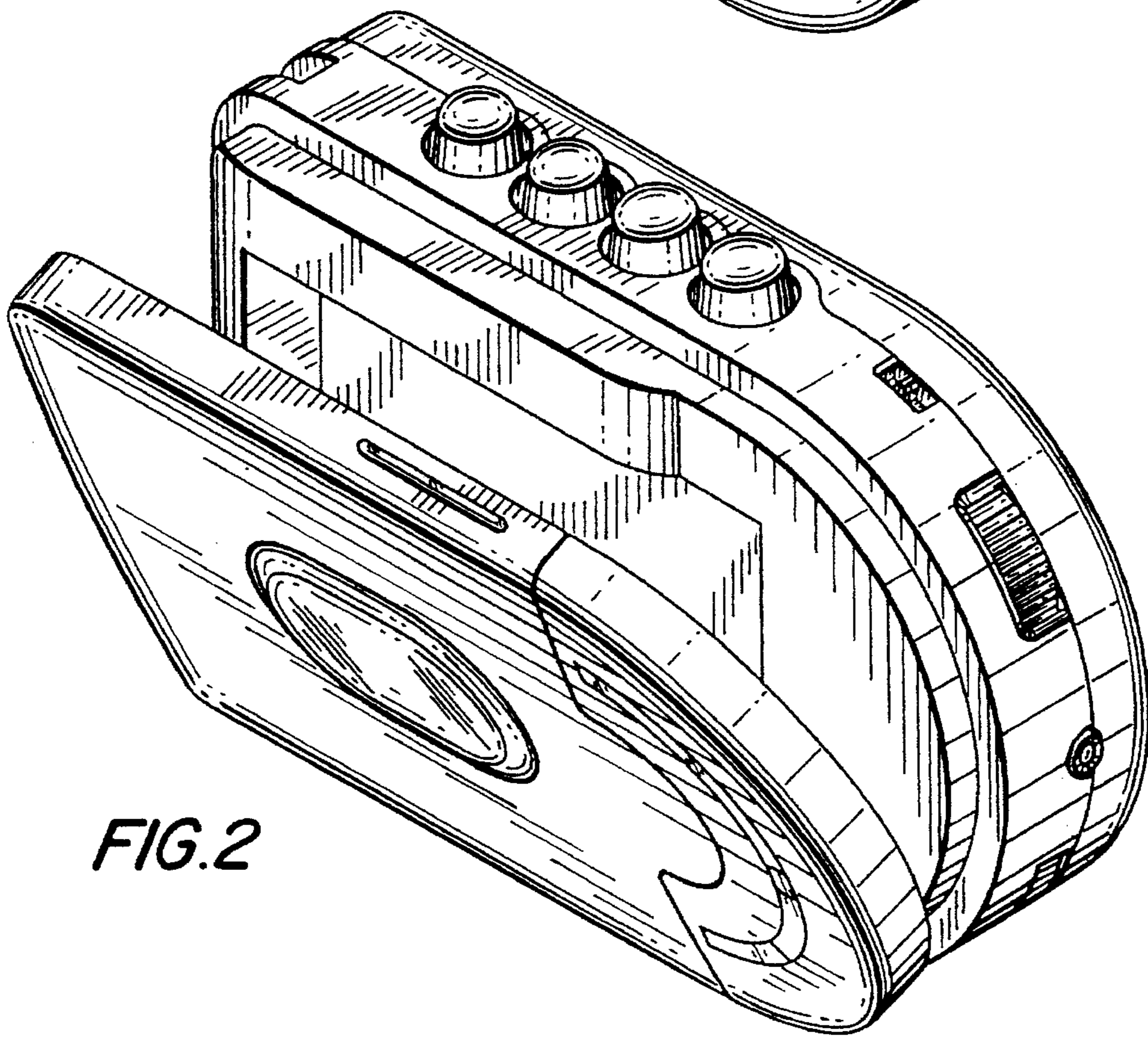
**1 Claim, 3 Drawing Sheets**





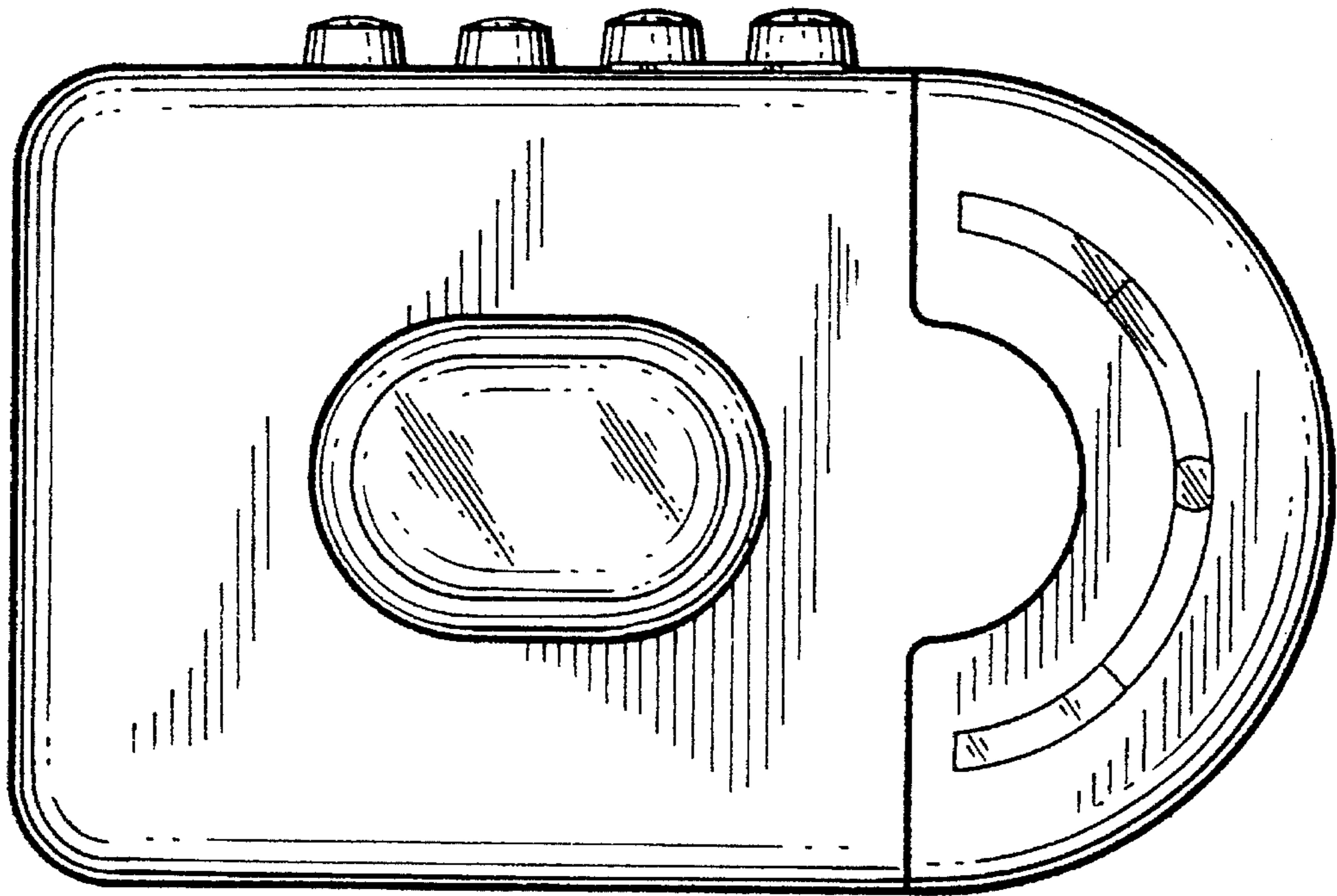


*FIG. 1*

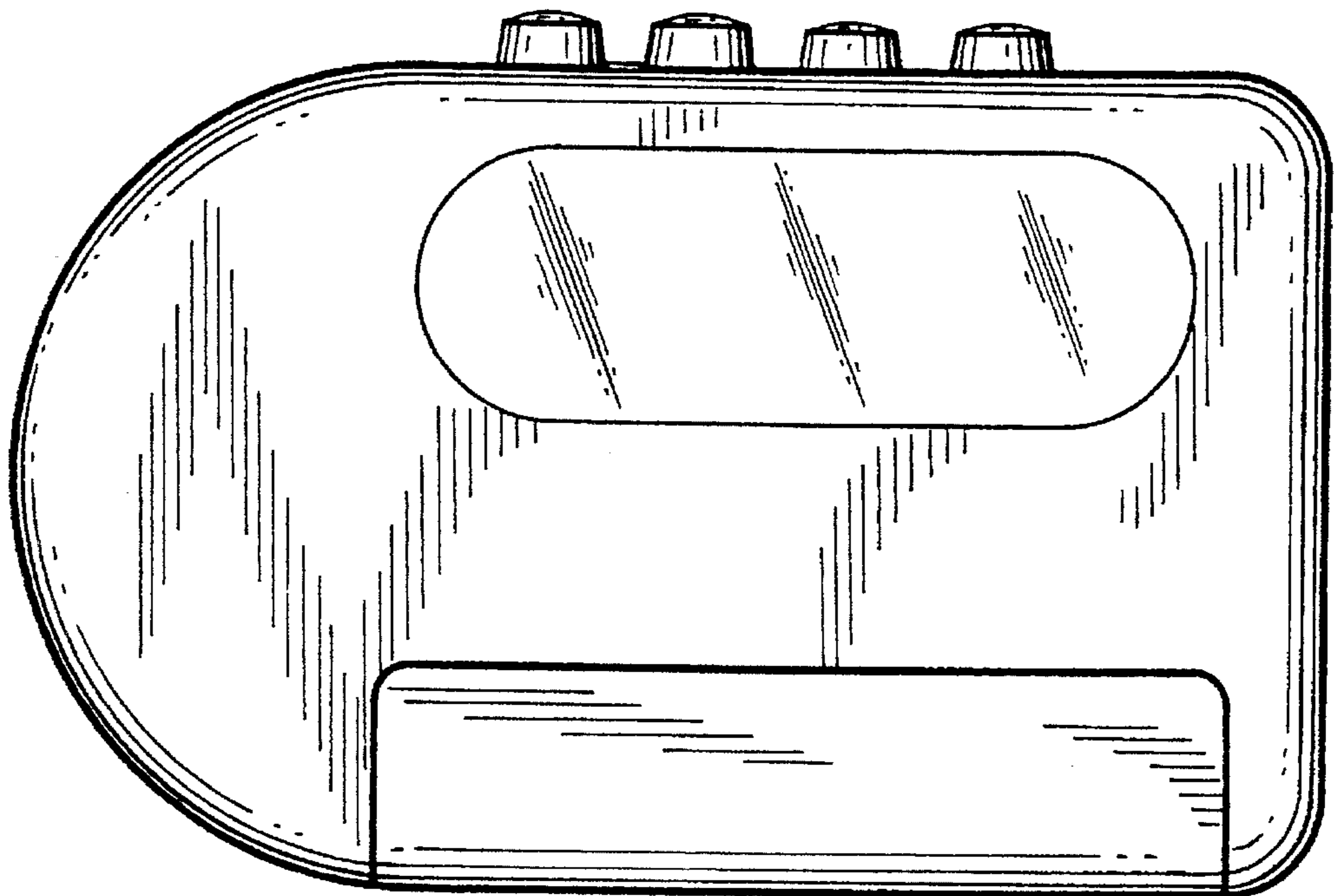


*FIG. 2*

*FIG.3*



*FIG.4*





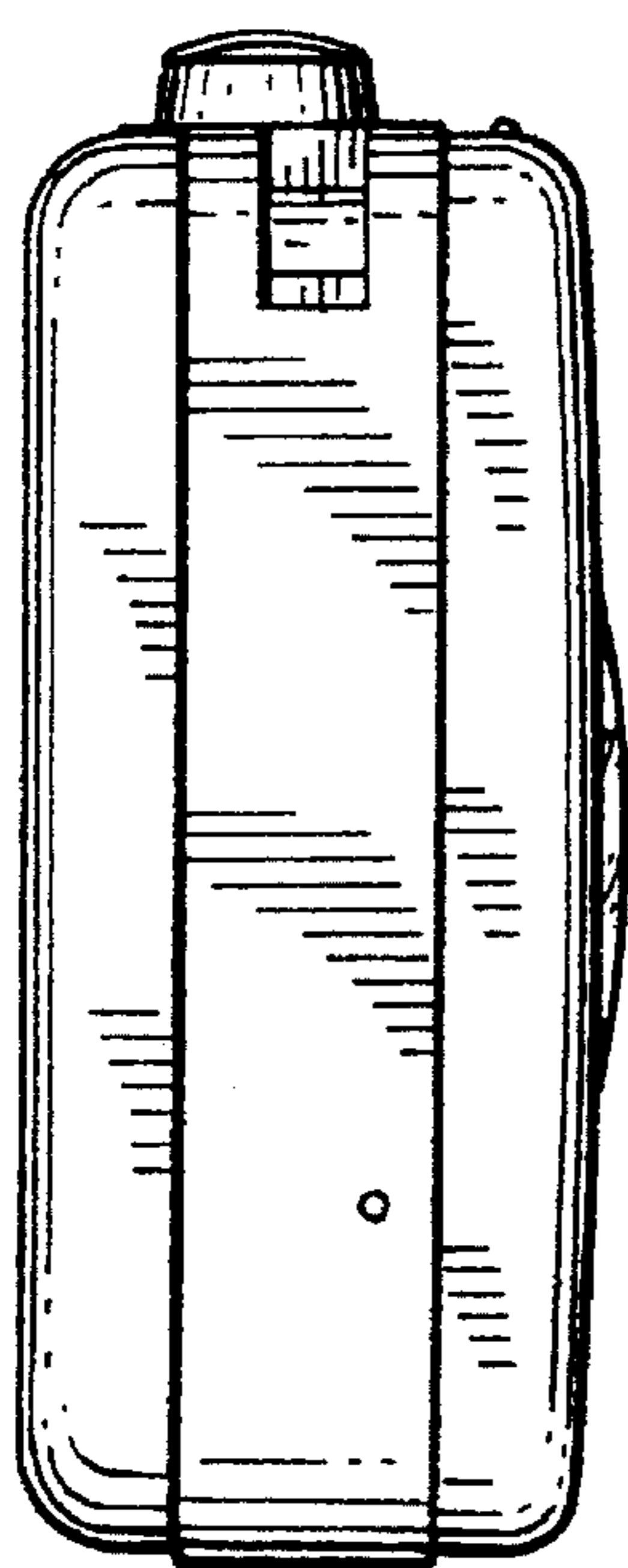


FIG. 5

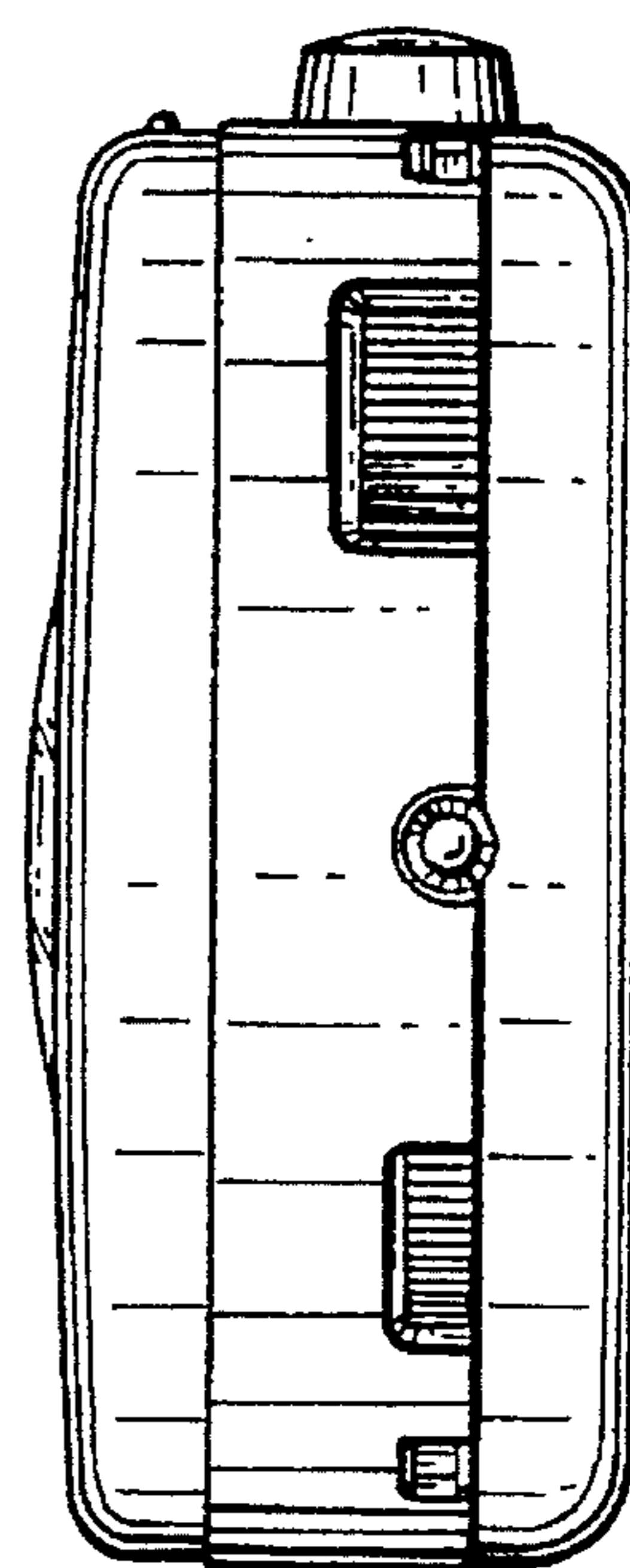


FIG. 6

FIG. 7

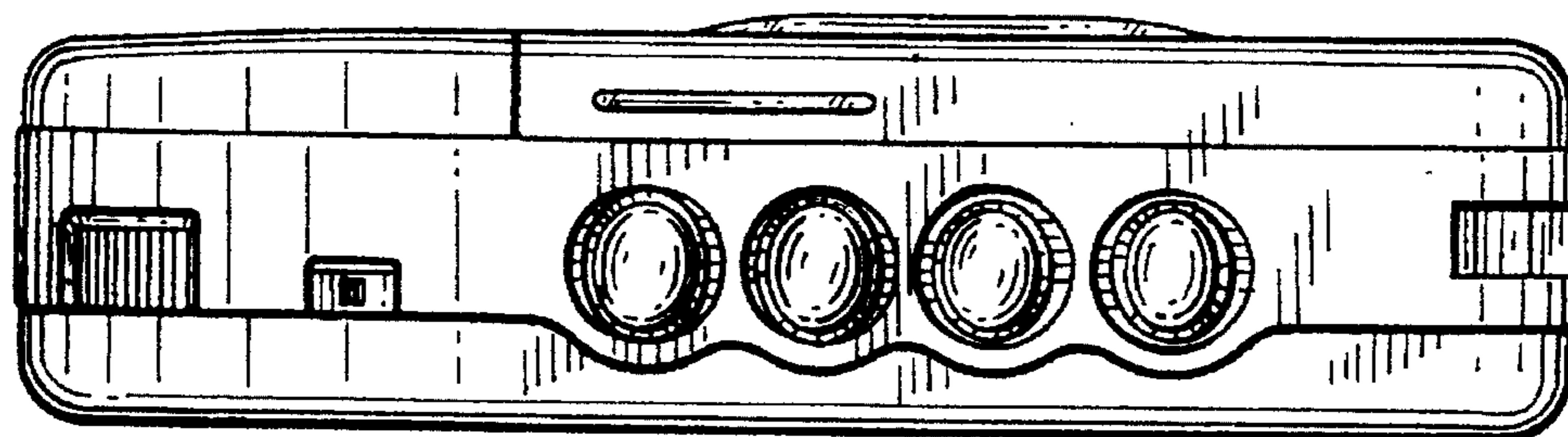


FIG. 8

