



US00D367051S

United States Patent [19]
Hyogo

[11] **Patent Number: Des. 367,051**

[45] **Date of Patent: **Feb. 13, 1996**

[54] **VIDEO CASSETTE RECORDER**

[75] Inventor: **Kuninori Hyogo**, Tokyo, Japan

[73] Assignee: **Sony Corporation**, Tokyo, Japan

[**] Term: **14 Years**

[21] Appl. No.: **28,739**

[22] Filed: **Sep. 21, 1994**

[52] U.S. Cl. **D14/135**

[58] Field of Search **D14/124, 135,**
D14/136, 156, 299

[56] **References Cited**

U.S. PATENT DOCUMENTS

- D. 339,120 9/1993 Shimose et al. D14/135
- D. 339,122 9/1993 Shinohara et al. D14/135

Primary Examiner—Ted Shooman
Assistant Examiner—Richelle Shelton

Attorney, Agent, or Firm—Beveridge, DeGrandi, Weilacher & Young

[57] **CLAIM**

The ornamental design for a video cassette recorder, as shown and described.

DESCRIPTION

FIG. 1 is a perspective view of a video cassette recorder showing my new design;
 FIG. 2 is a reduced front elevational view thereof;
 FIG. 3 is a reduced rear elevational view thereof;
 FIG. 4 is a reduced top plan view thereof;
 FIG. 5 is a reduced bottom plan view thereof;
 FIG. 6 is a reduced left side elevational view thereof;
 FIG. 7 is a reduced right side elevational view thereof; and,
 FIG. 8 is a perspective view thereof, with the front door in the open position.

1 Claim, 3 Drawing Sheets

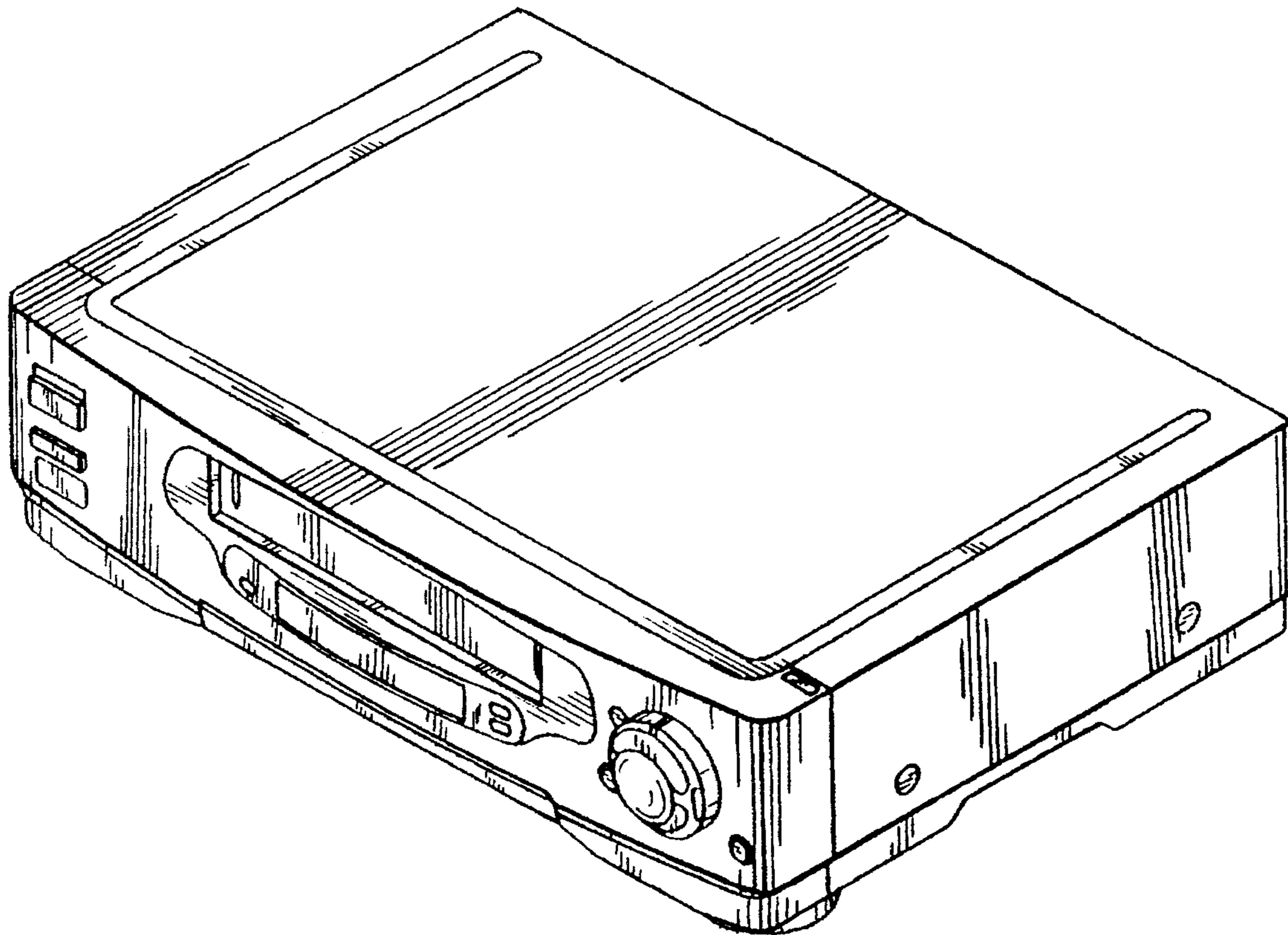


FIG. 1

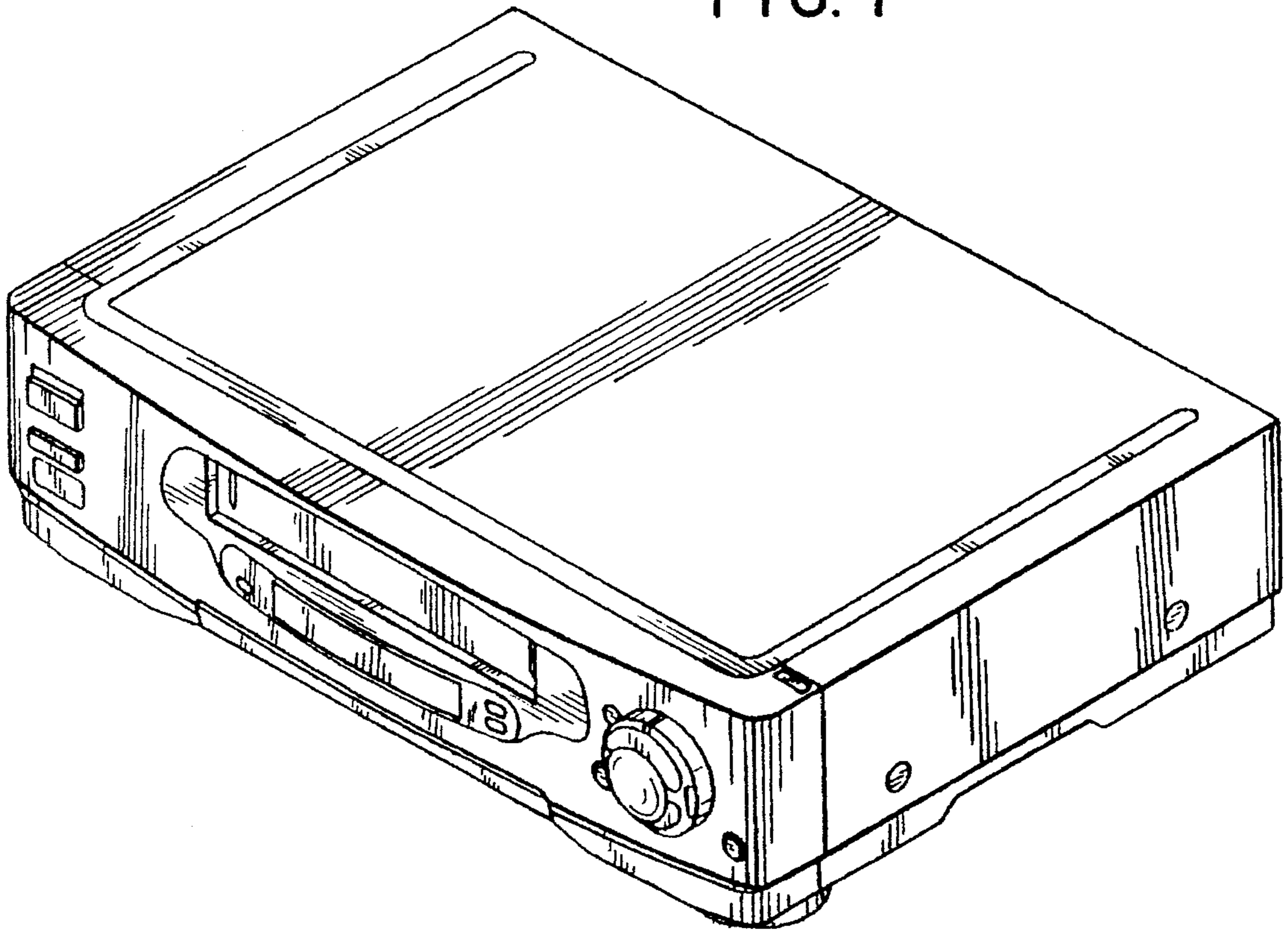


FIG. 2



FIG. 3

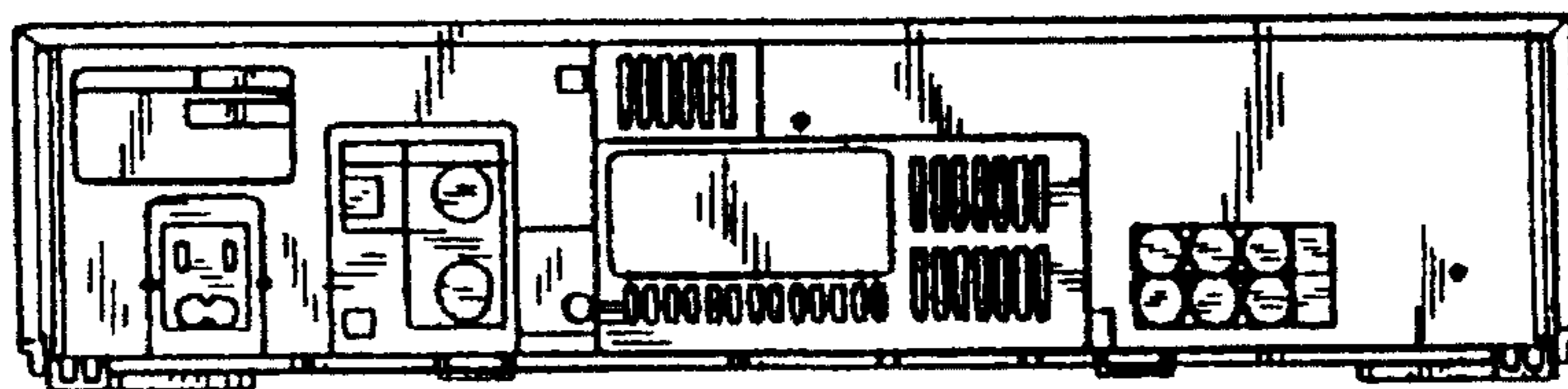


FIG. 4

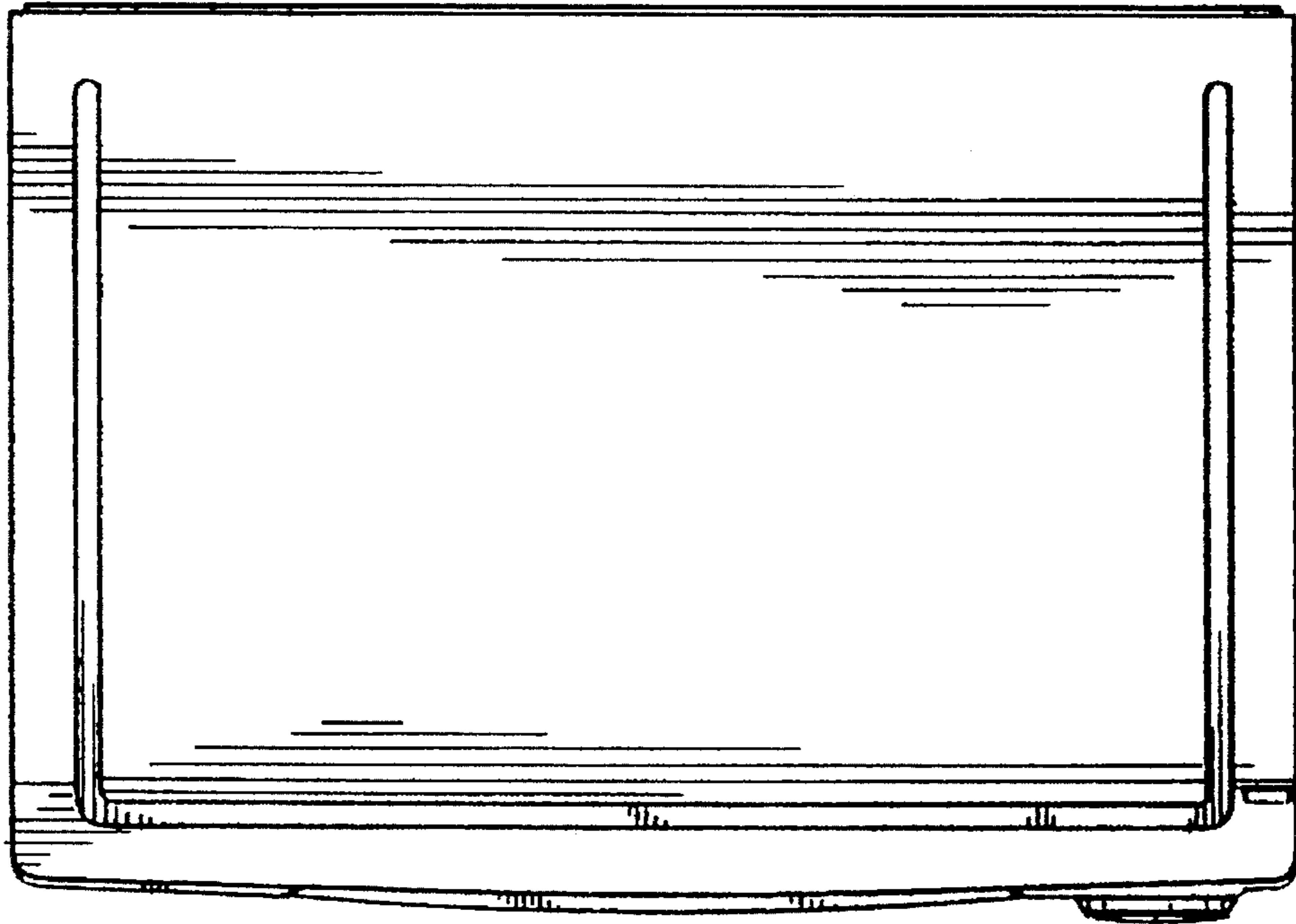


FIG. 5

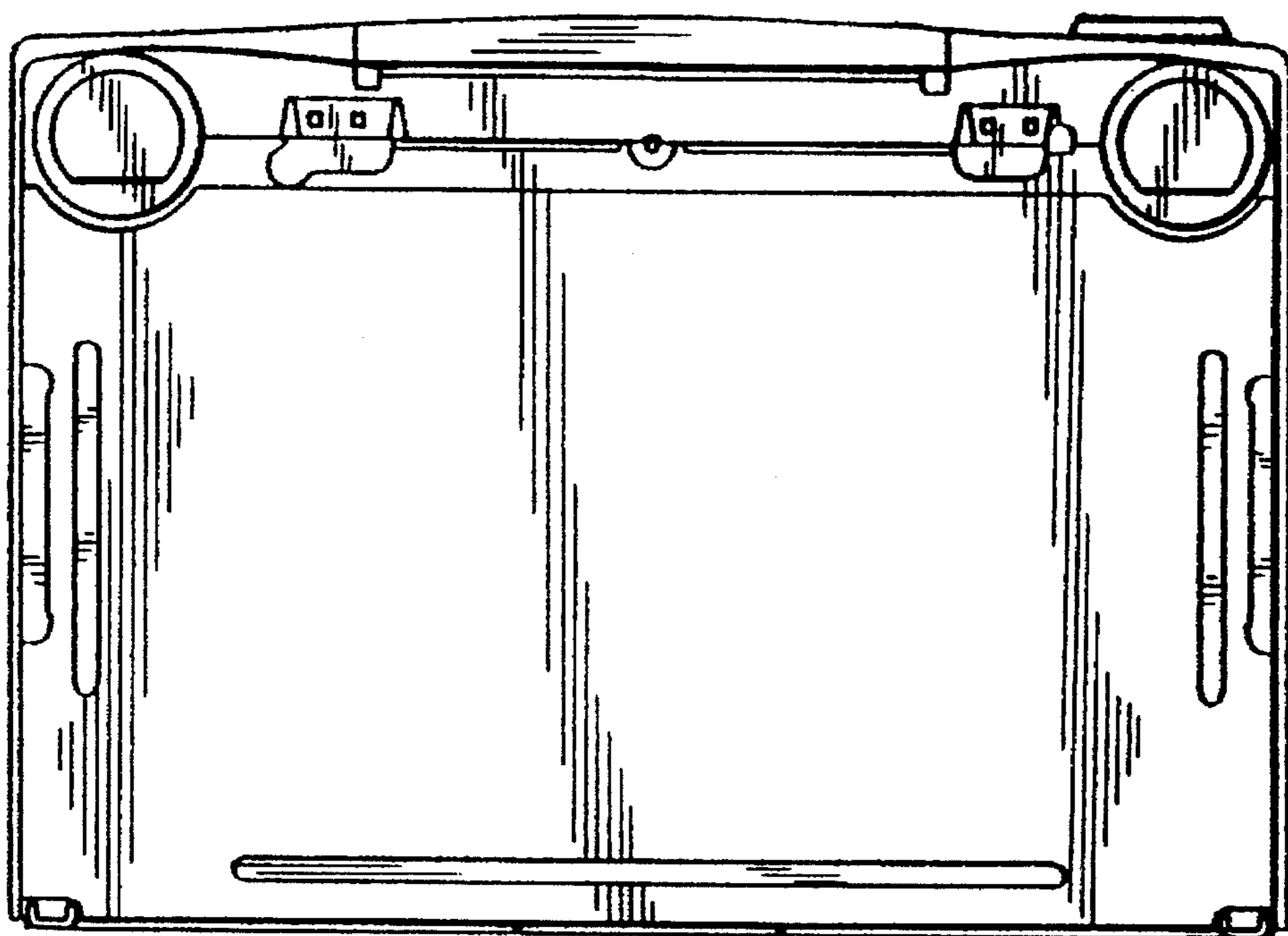


FIG. 6

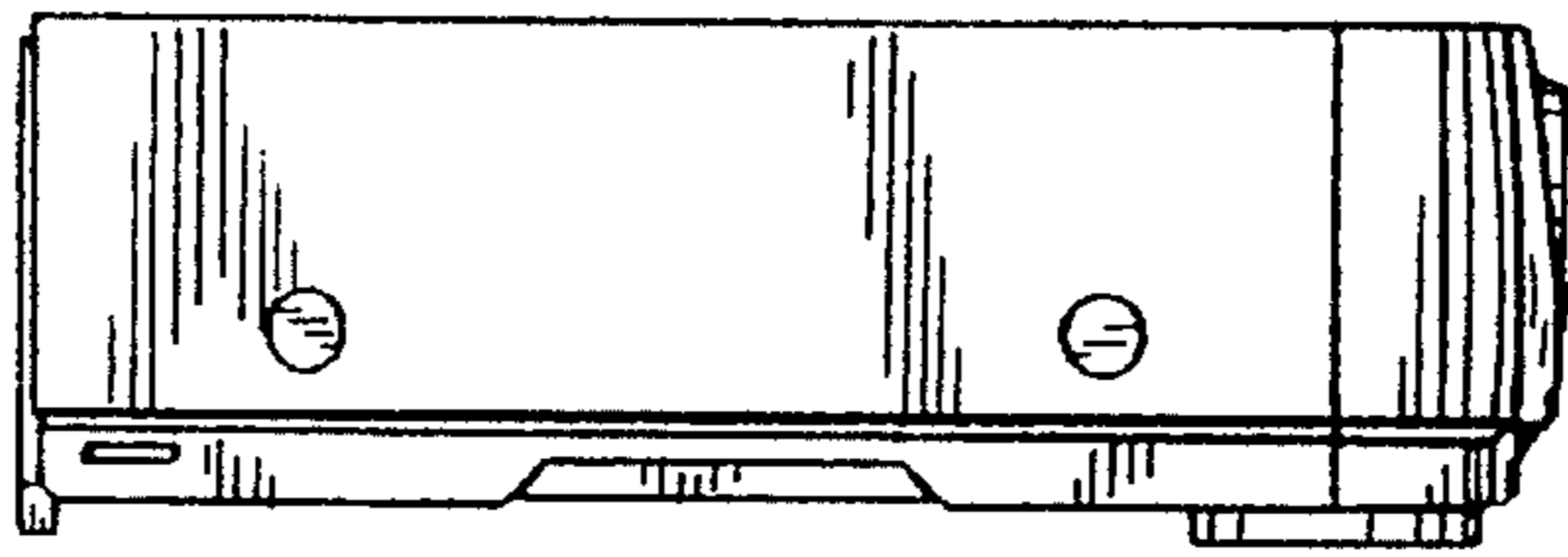


FIG. 7

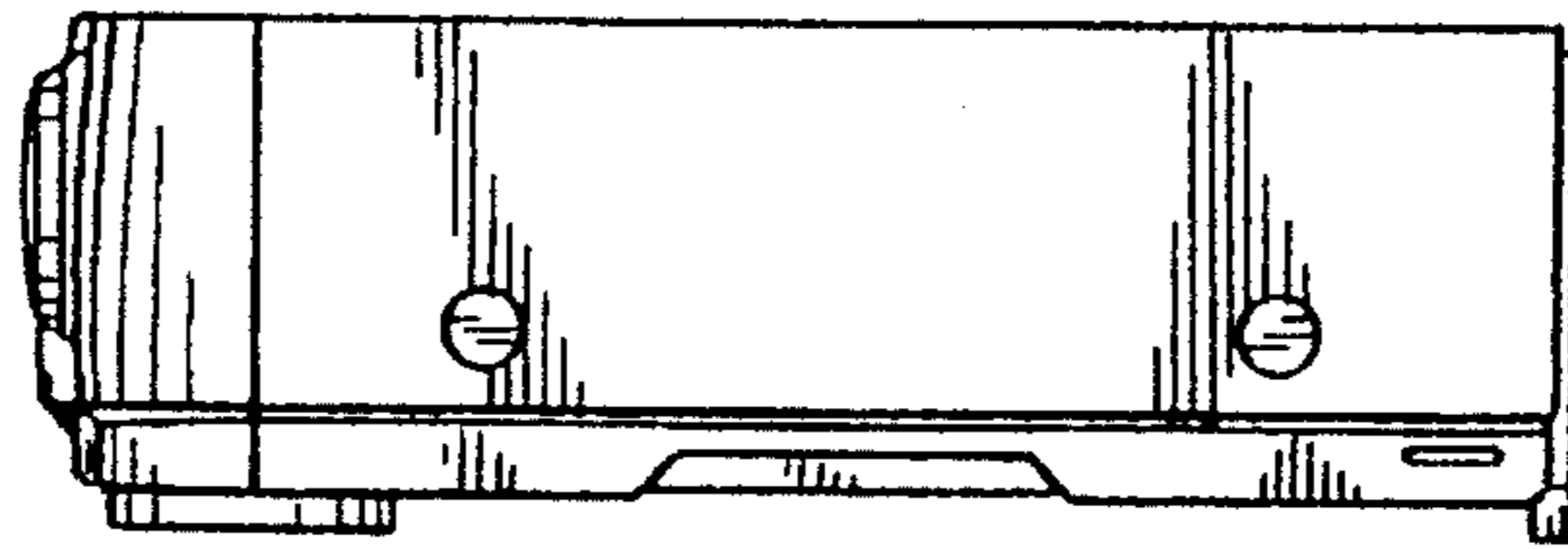


FIG. 8

