



US00D367049S

United States Patent [19]
Lin

[11] **Patent Number: Des. 367,049**

[45] **Date of Patent: **Feb. 13, 1996**

[54] **COMPUTER CABINET FRONT PANEL**

D. 340,046 10/1993 Chu D14/115

[75] Inventor: **Chun-Sung Lin**, Shu Lin Town, Taiwan

Primary Examiner—Freda Nunn
Attorney, Agent, or Firm—Needle & Rosenberg

[73] Assignee: **Macase of Georgia, Inc.**, Norcross, Ga.

[**] Term: **14 Years**

[57] **CLAIM**

The ornamental design for a computer cabinet front panel, as shown and described.

[21] Appl. No.: **26,917**

[22] Filed: **Aug. 9, 1994**

DESCRIPTION

[52] **U.S. Cl.** **D14/115**

[58] **Field of Search** D14/100, 102,
D14/107-109, 115, 257, 258; D13/162,
184, 199; 312/223.2; 358/249, 254; 361/600,
622, 724-728

FIG. 1 is an enlarged front view showing the top, front and right side;

FIG. 2 is a front elevational view;

FIG. 3 is a rear elevational view;

FIG. 4 is a top side elevational view;

FIG. 5 is a bottom side elevational view;

FIG. 6 is a left side elevational view; and,

FIG. 7 is a right side elevational view.

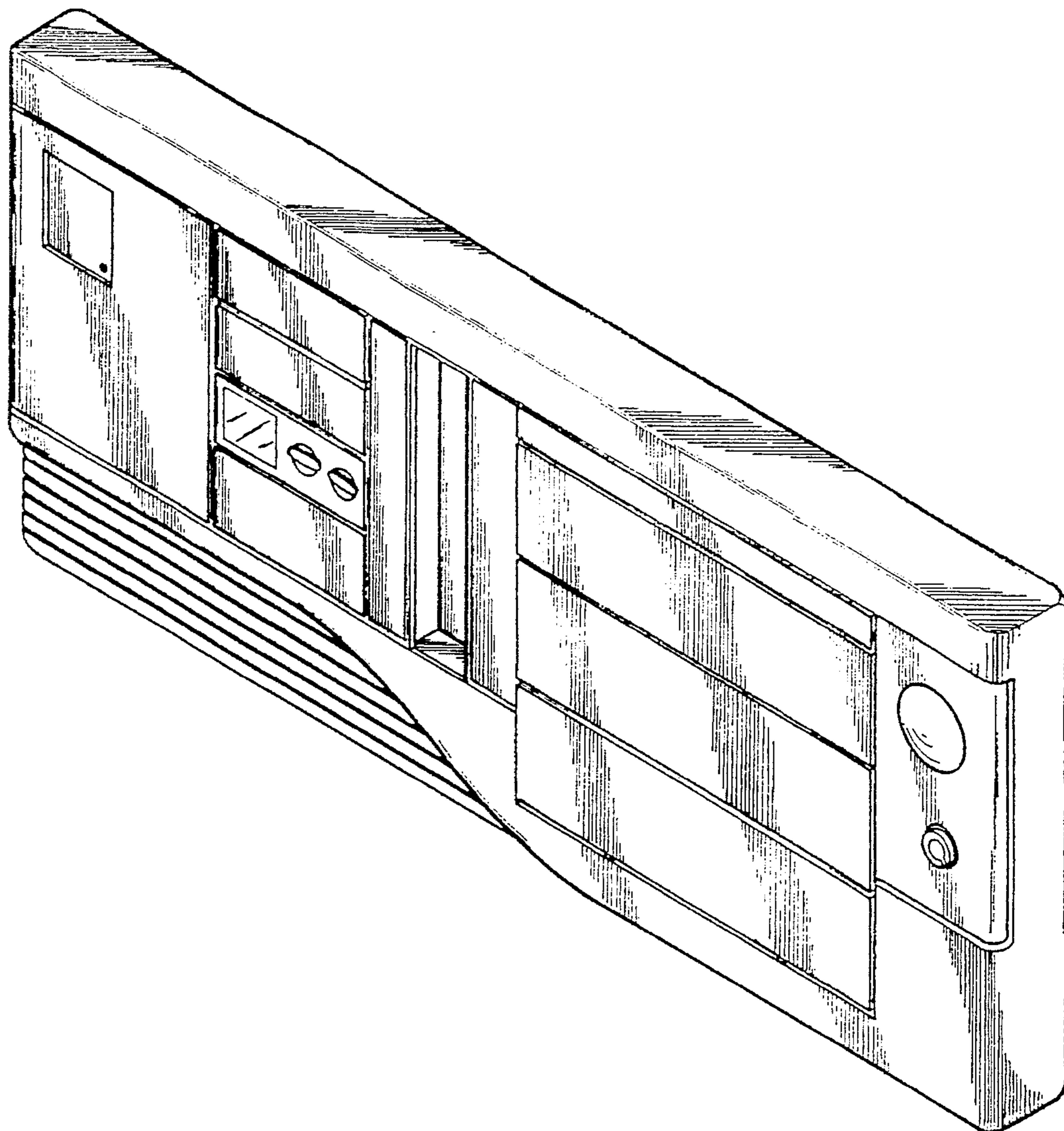
[56] **References Cited**

U.S. PATENT DOCUMENTS

D. 334,185 3/1993 Lam D14/115

D. 337,577 7/1993 Jaeb et al. D14/115

1 Claim, 3 Drawing Sheets



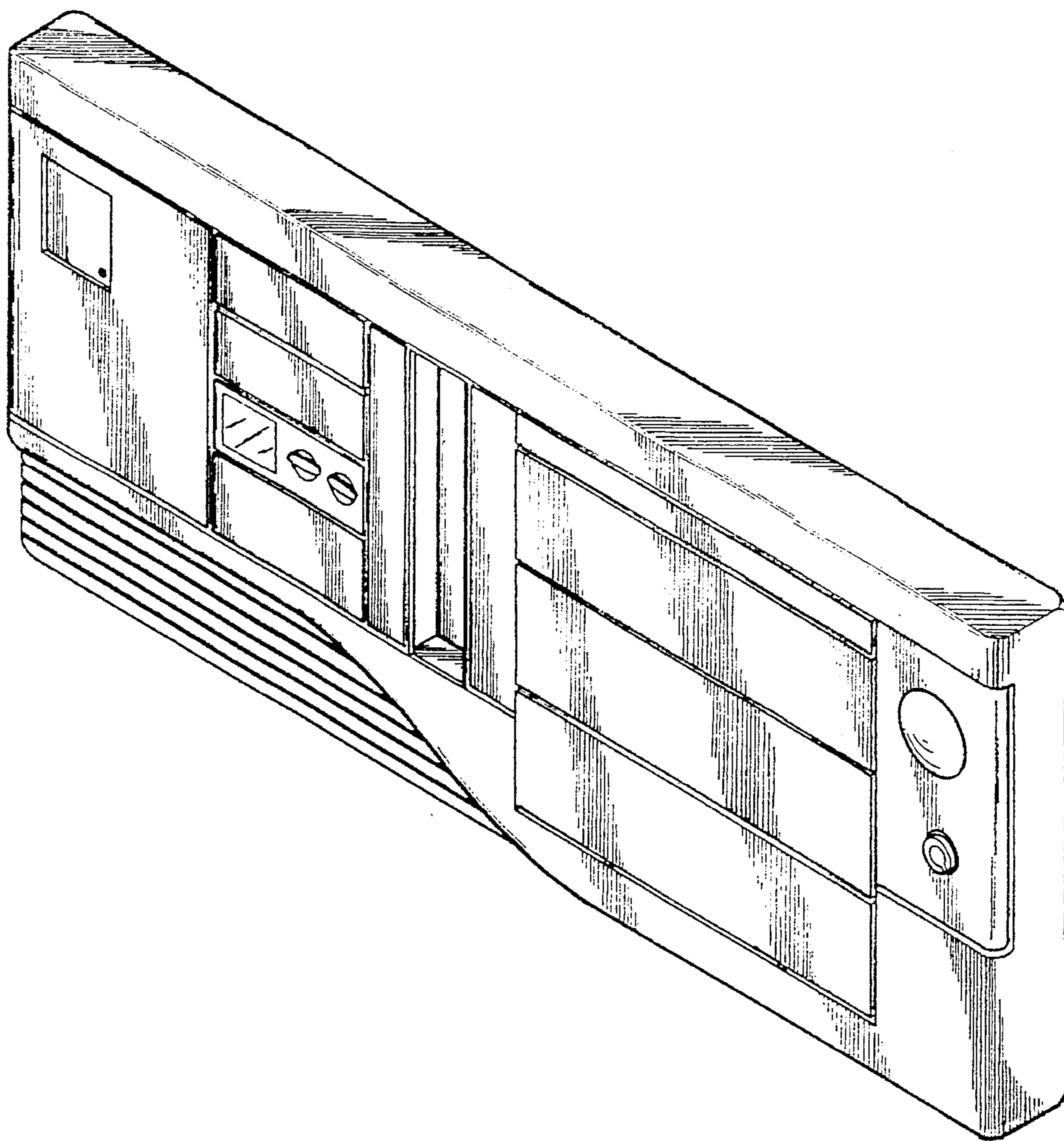


Fig. 1

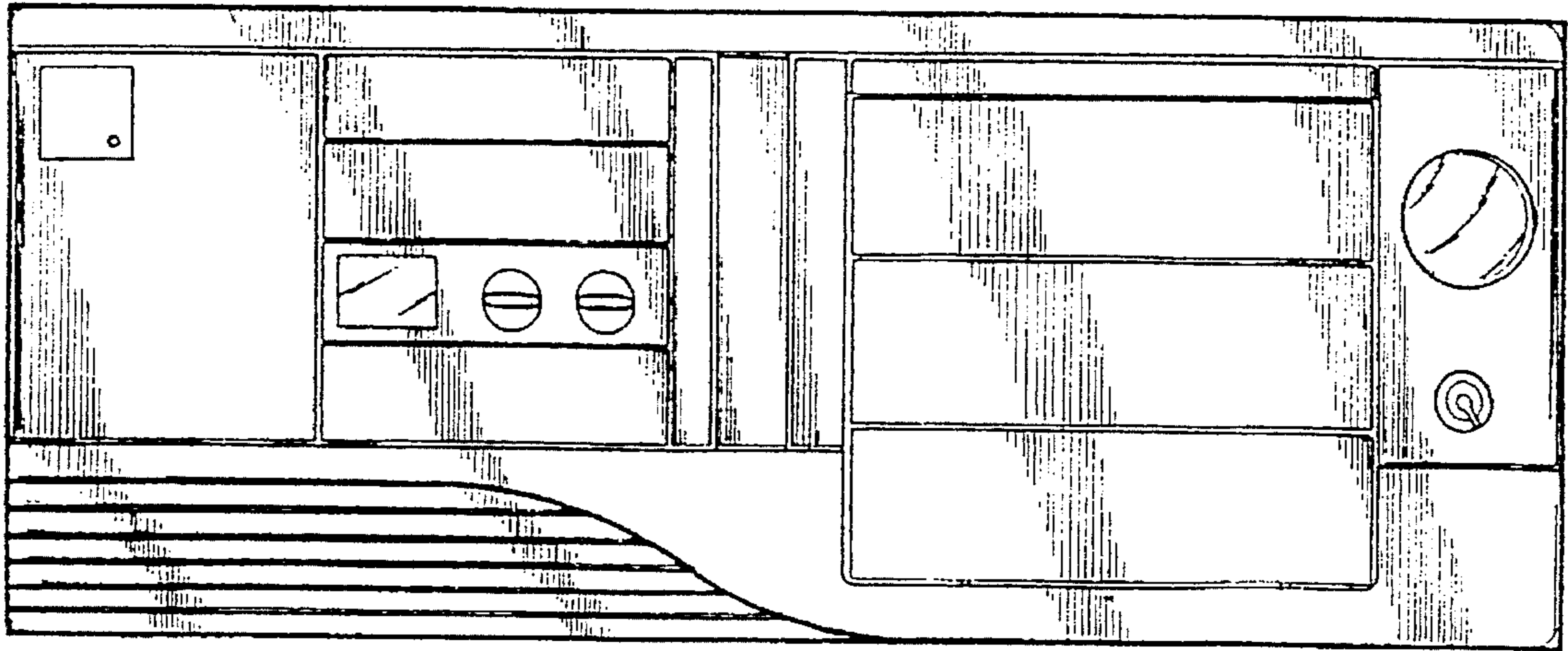


Fig. 2

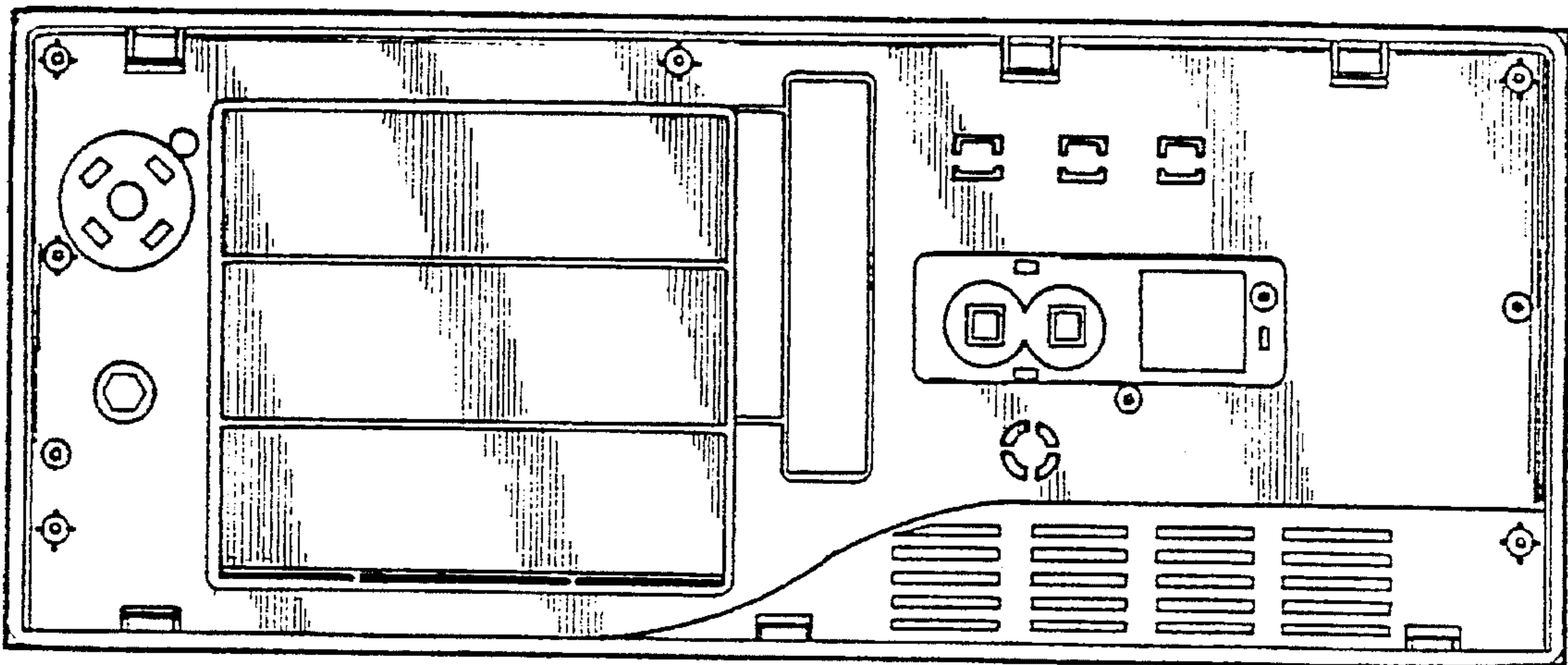


Fig. 3

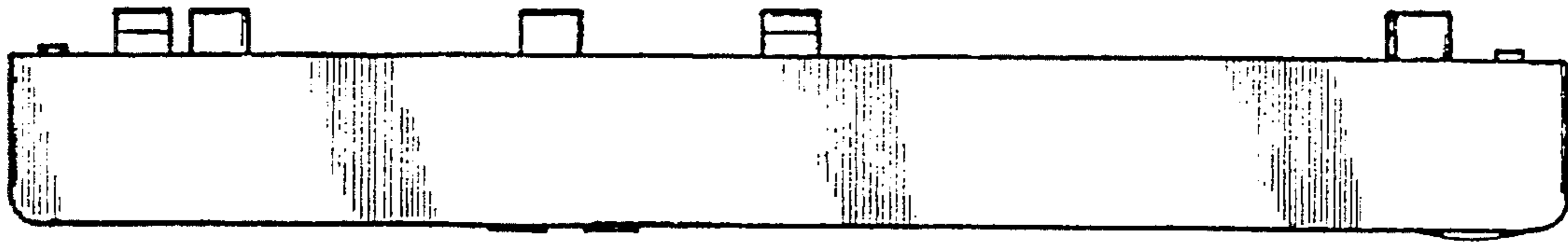


Fig. 6

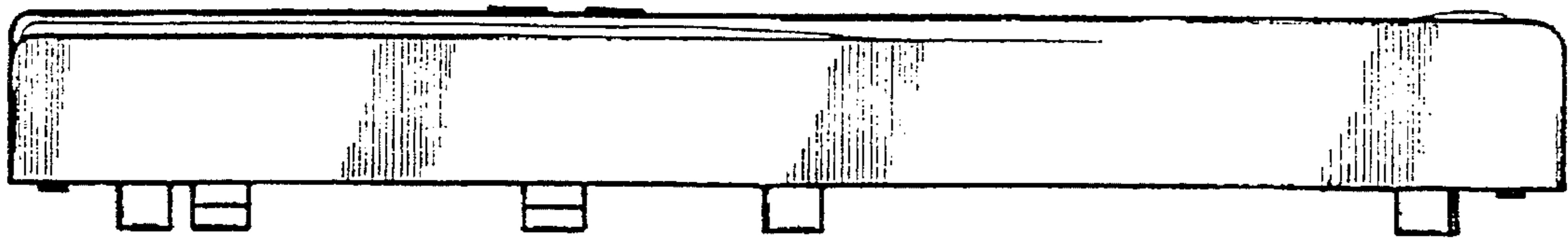


Fig. 7

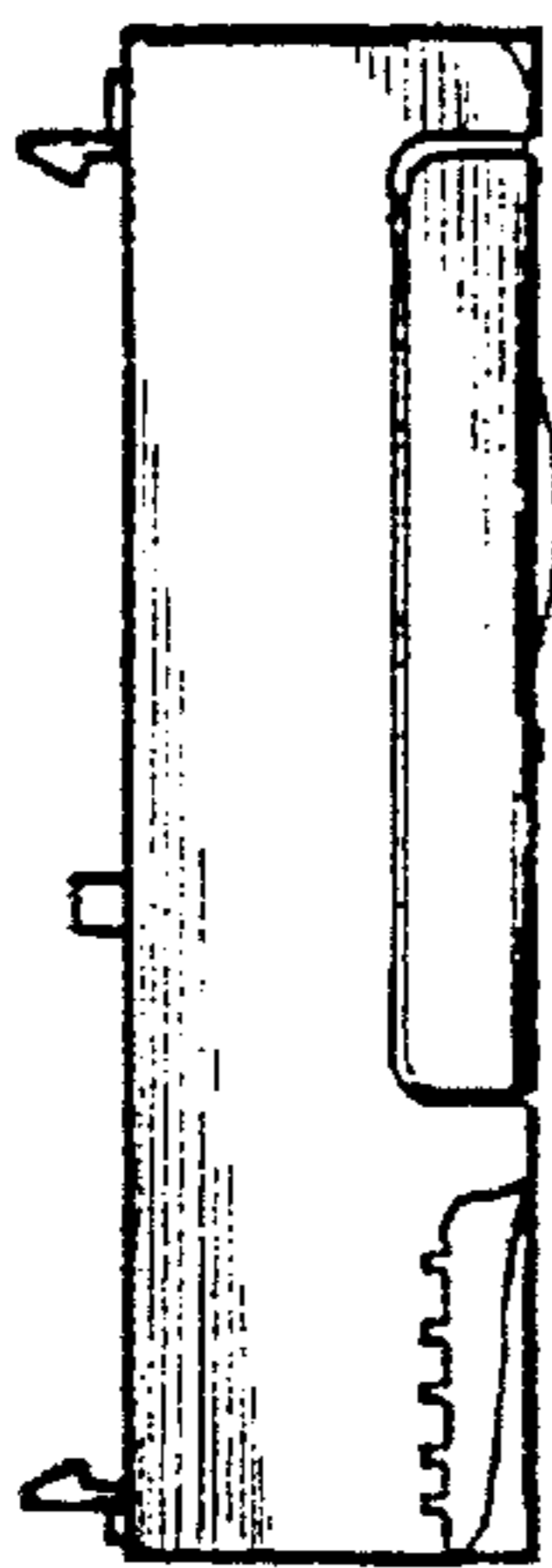


Fig. 4

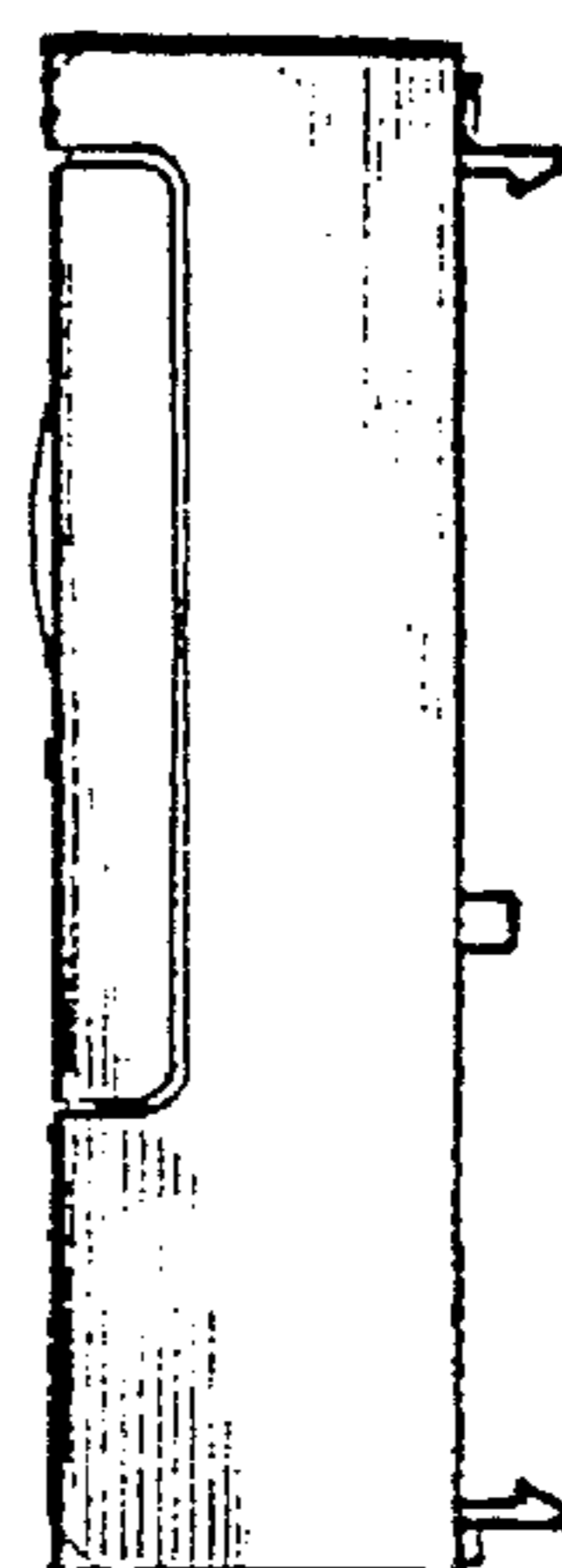


Fig. 5