



US00D367042S

United States Patent [19]

Morrow et al.

[11] Patent Number: **Des. 367,042**

[45] Date of Patent: ****Feb. 13, 1996**

[54] **ELECTRONIC EQUIPMENT HOUSING**

D. 353,800 12/1994 Lewis et al. D13/184

[75] Inventors: **Ernest J. Morrow**, Damascus;
Gregory C. Braunberg, Gaitherburg,
both of Md.

Primary Examiner—Joel Sincavage
Attorney, Agent, or Firm—Gordon R. Lindeen, III; Wanda
K. Denson-Low

[73] Assignee: **Hughes Aircraft Company**, Los
Angeles, Calif.

[57] **CLAIM**

[**] Term: **14 Years**

The ornamental design for an electronic equipment housing,
as shown and described.

[21] Appl. No.: **32,541**

DESCRIPTION

[22] Filed: **Dec. 21, 1994**

[52] U.S. Cl. **D13/184**

[58] **Field of Search** D13/184; D10/80,
D10/103; D14/100, 107, 114; 361/679,
748, 752

FIG. 1 is a perspective view of the invention;
FIG. 2 is a top elevation view of the invention;
FIG. 3 is a front end plan view of the invention;
FIG. 4 is a side plan view of the invention. Both sides being
substantially identical;
FIG. 5 is a bottom plan view of the invention; and,
FIG. 6 is a rear plan view of the invention.

[56] **References Cited**

U.S. PATENT DOCUMENTS

D. 330,888 11/1992 Worley D13/184

1 Claim, 2 Drawing Sheets

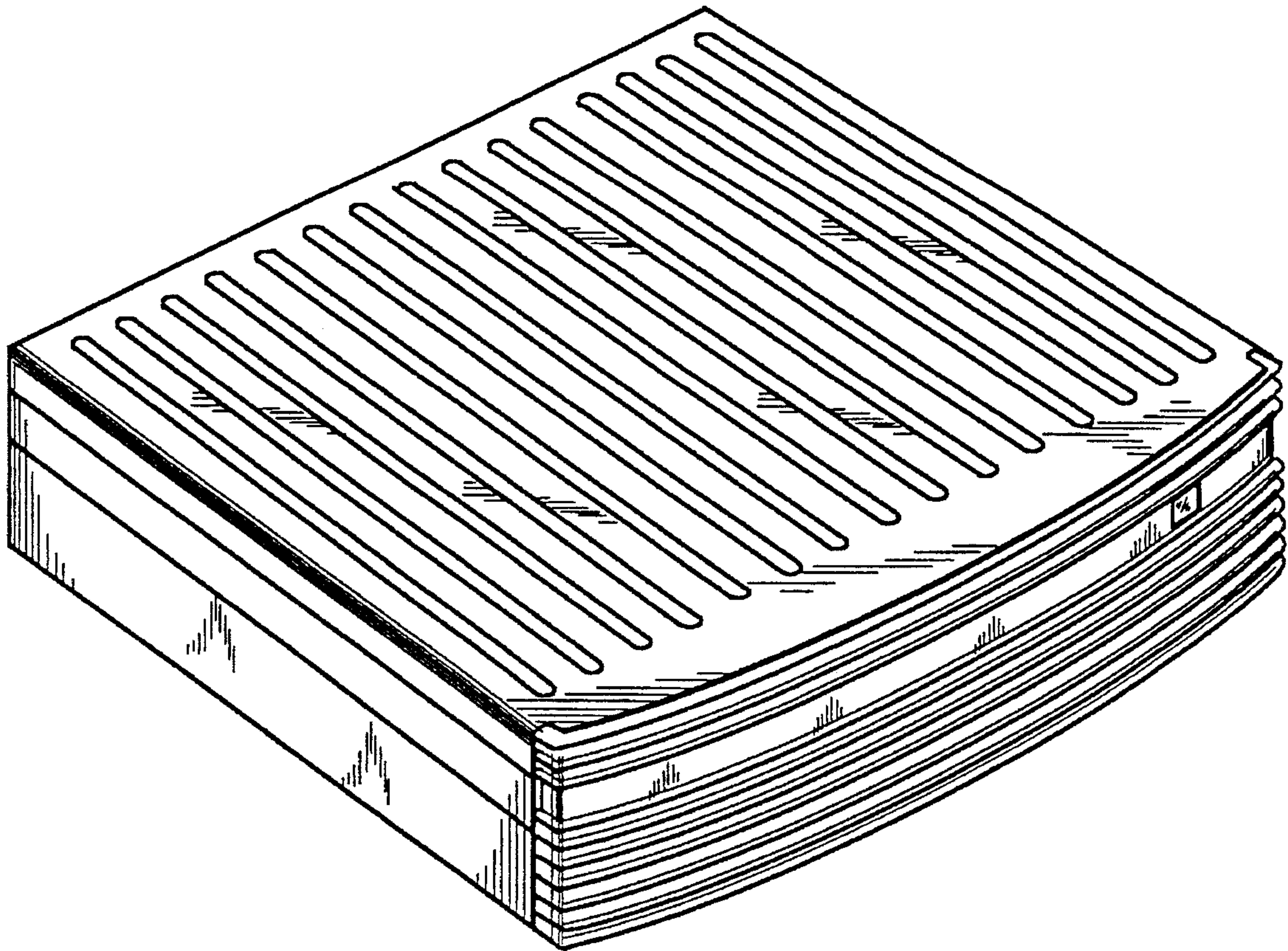


FIG. 1.

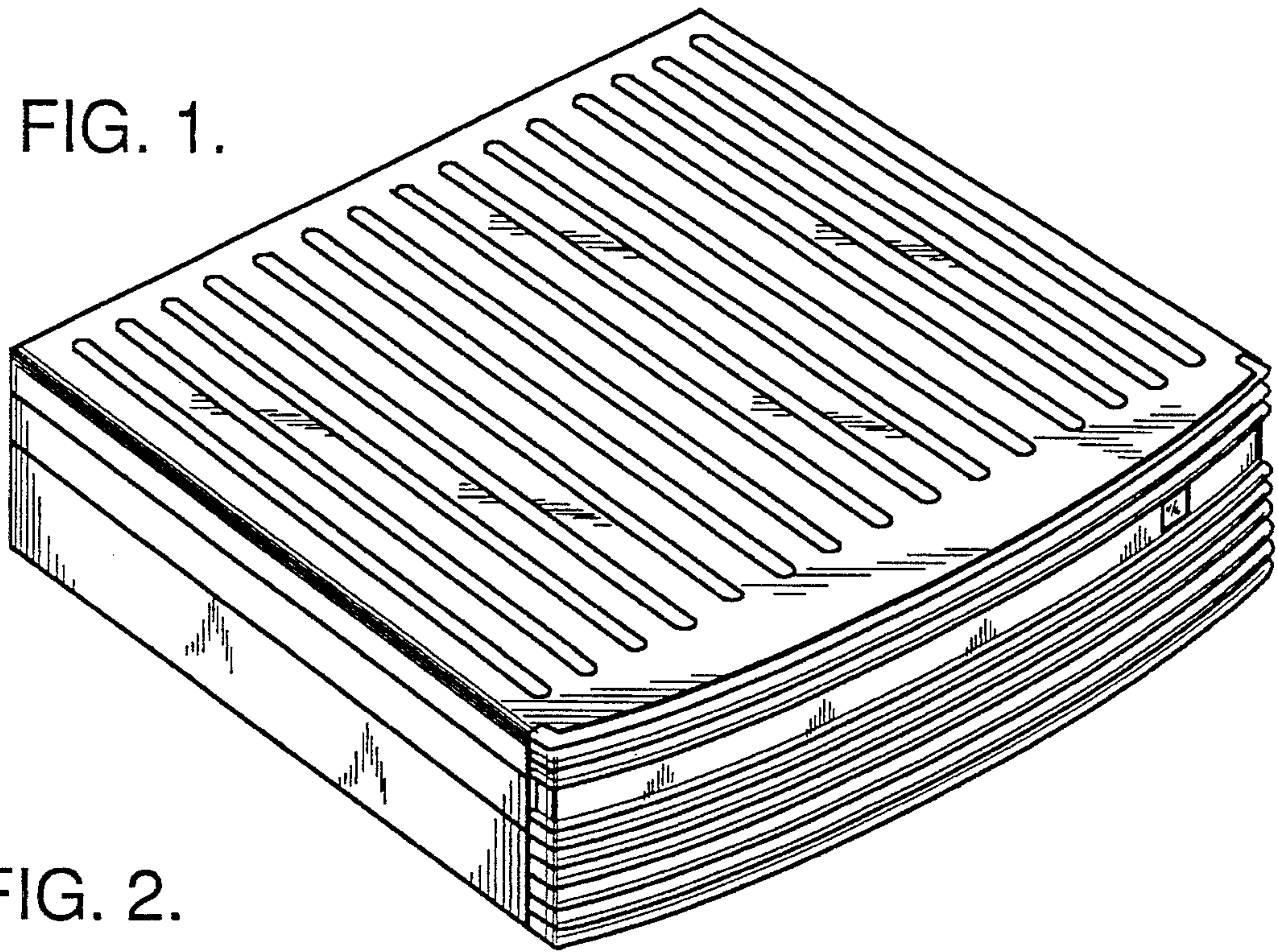


FIG. 2.

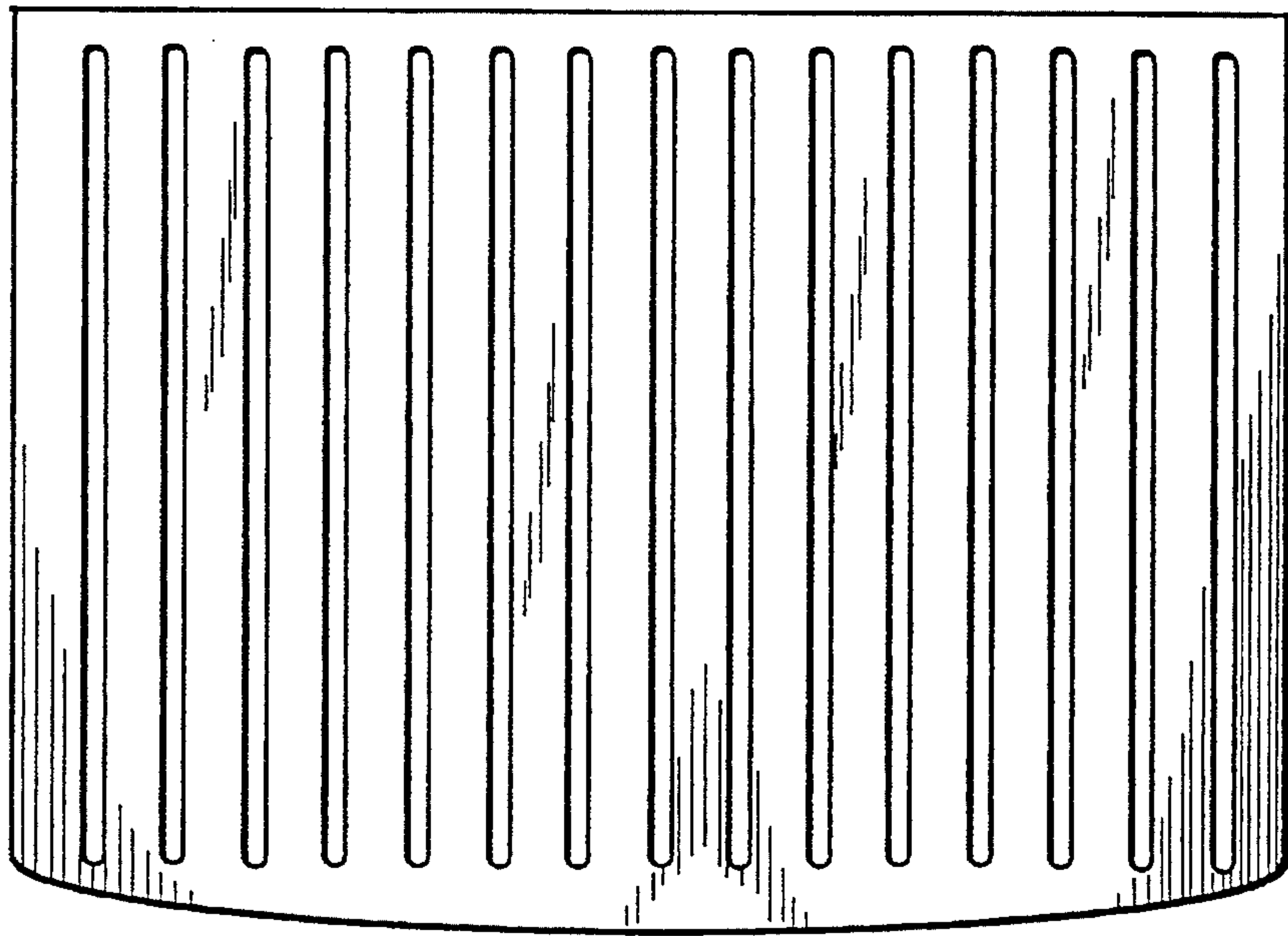


FIG. 3.

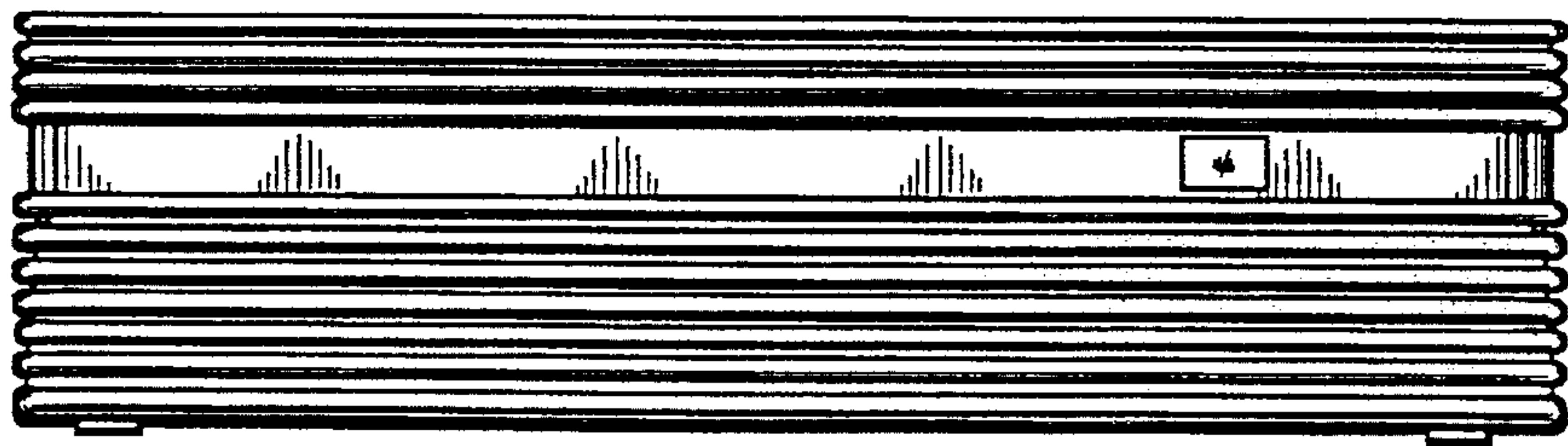


FIG. 4.

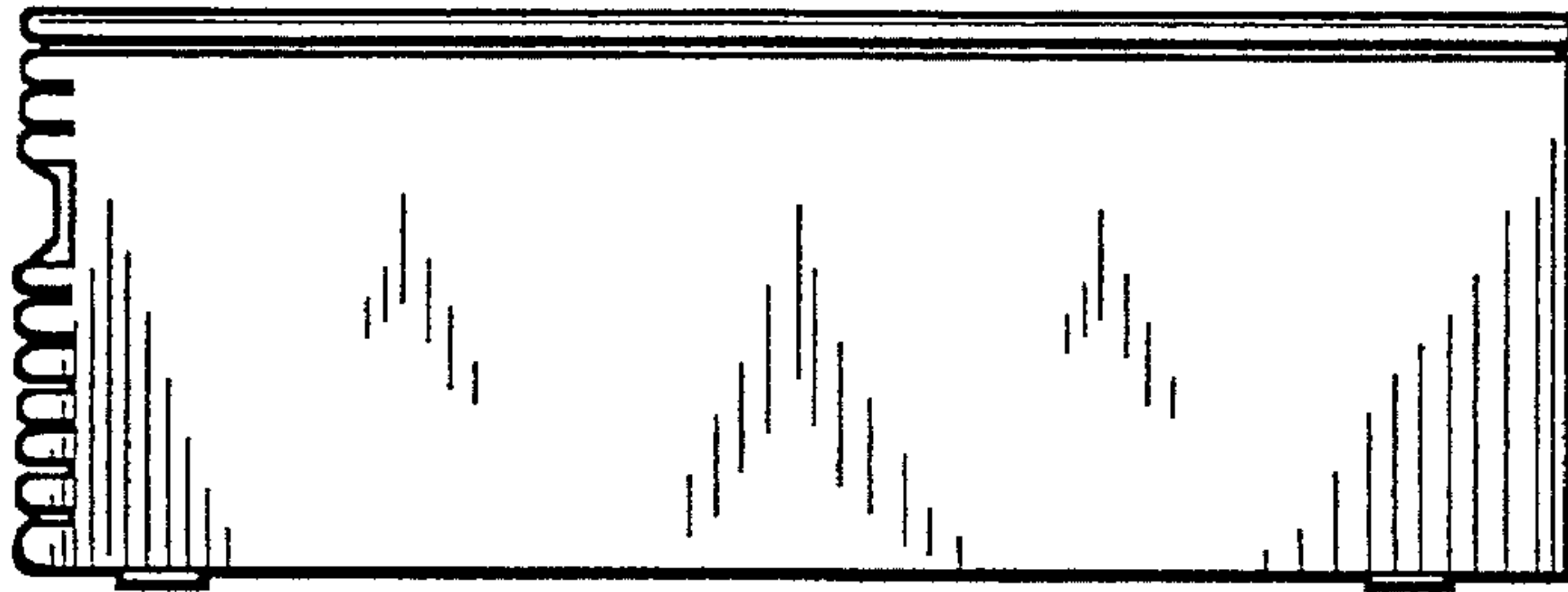


FIG. 5.

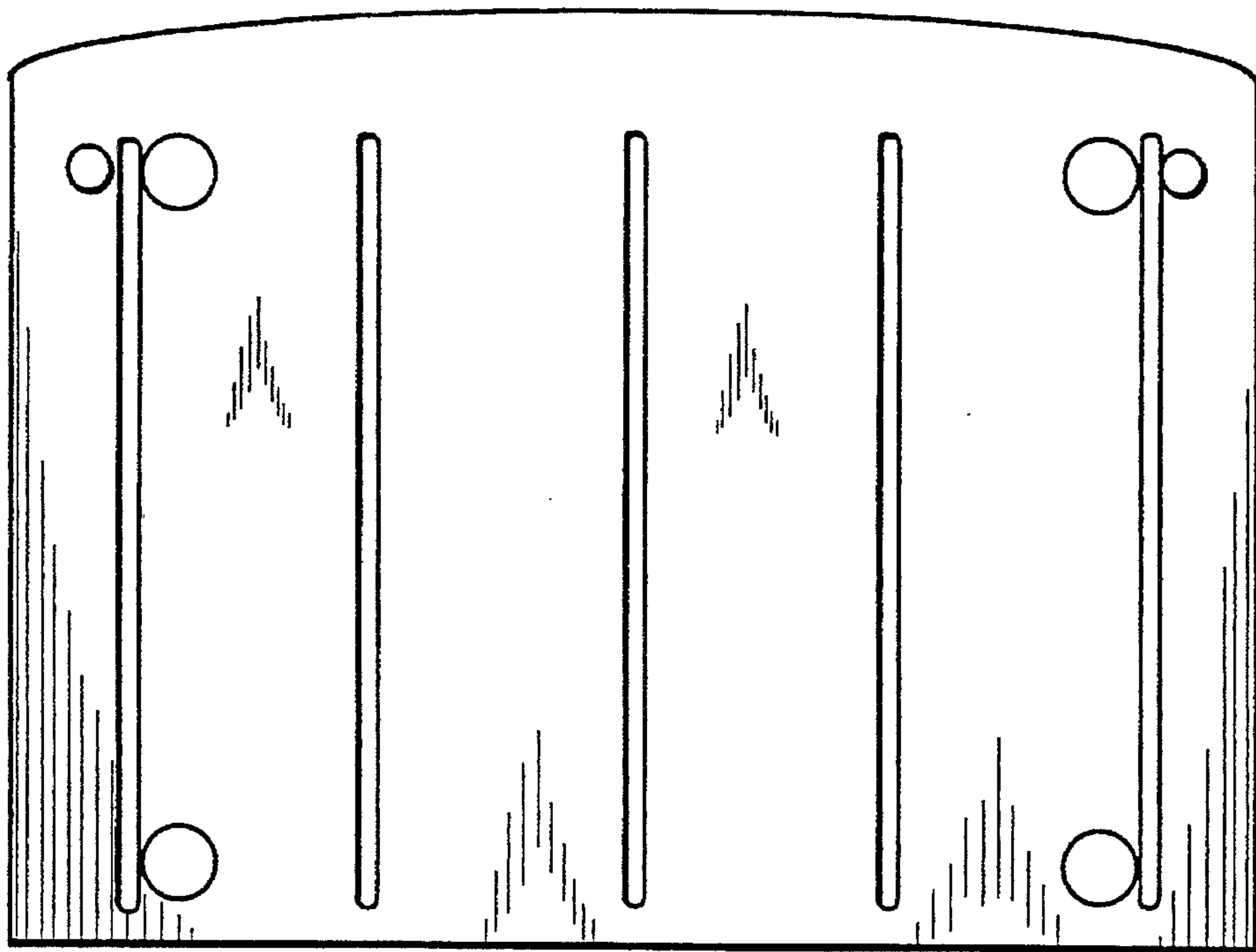


FIG. 6.

