



US00D367041S

United States Patent [19]

[11] Patent Number: **Des. 367,041**

Alfaro et al.

[45] Date of Patent: ****Feb. 13, 1996**

[54] **FUSED DISCONNECT SWITCH** 5,140,115 8/1992 Morris 200/308

[75] Inventors: **Conrad Alfaro**, Harwood Heights;
Lawrence Happ, Mundelein, both of Ill.

FOREIGN PATENT DOCUMENTS

687673 6/1964 Canada .
266966 12/1968 Germany .
1624556 1/1991 U.S.S.R. .

[73] Assignee: **Cooper Industries, Inc.**, Houston, Tex.

Primary Examiner—Joel Sincavage
Attorney, Agent, or Firm—Charles E. Neff; Eddie E. Scott

[**] Term: **14 Years**

[57] CLAIM

[21] Appl. No.: **23,234**

The ornamental design for a fused disconnect switch, as shown and described.

[22] Filed: **May 20, 1994**

[52] U.S. Cl. **D13/160; D13/178**

[58] Field of Search D13/160, 178;
439/622; 200/308; 361/837; 337/142, 198

DESCRIPTION

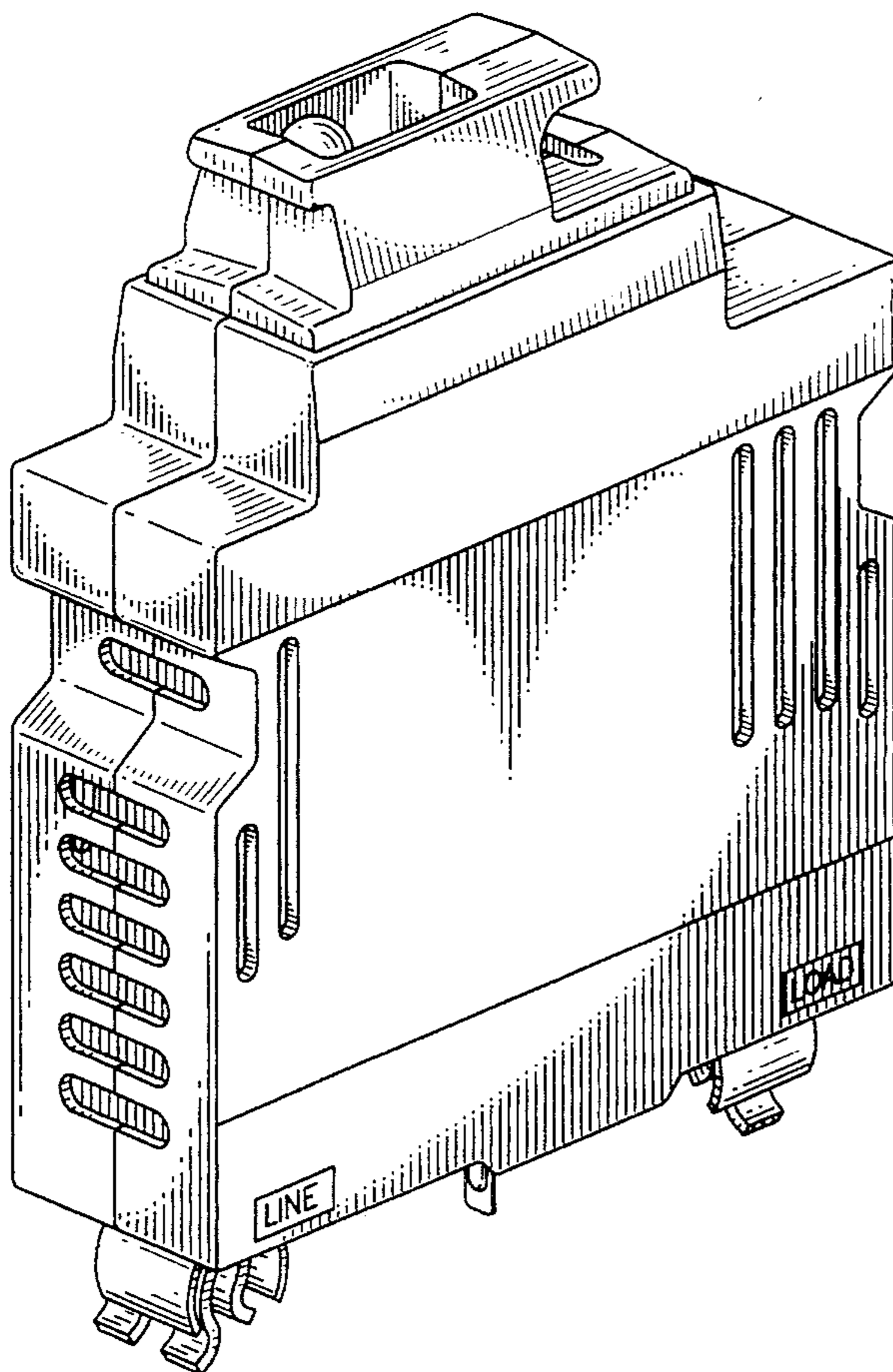
[56] References Cited

U.S. PATENT DOCUMENTS

D. 313,397	1/1991	Willcox	D13/158
D. 320,783	10/1991	Sharp et al.	D13/160
D. 325,725	4/1992	Yamagata et al.	D13/160
D. 336,073	6/1993	Happ	D13/161
D. 348,048	6/1994	Marach et al.	D13/160
3,711,748	1/1973	Dietz	317/112
3,806,845	4/1974	Zubaty et al.	335/18
4,499,447	2/1985	Greenberg	337/266
4,654,743	3/1987	Ruehl et al.	361/111
4,958,254	9/1990	Kidd et al.	361/119
5,113,169	5/1992	Ruehl et al.	337/265

FIG. 1 is a perspective view of a new design for a fused disconnect switch;
FIG. 2 is a top plan view;
FIG. 3 is a bottom plan view;
FIG. 4 is a front elevational view;
FIG. 5 is a back elevational view;
FIG. 6 is a left side elevational view;
FIG. 7 is a right side elevational view;
FIG. 8 is a left side elevational view with the module removed, the right side elevational view of the module being a mirror image except for the instruction label; and,
FIG. 9 is a front, upper right view.

1 Claim, 5 Drawing Sheets



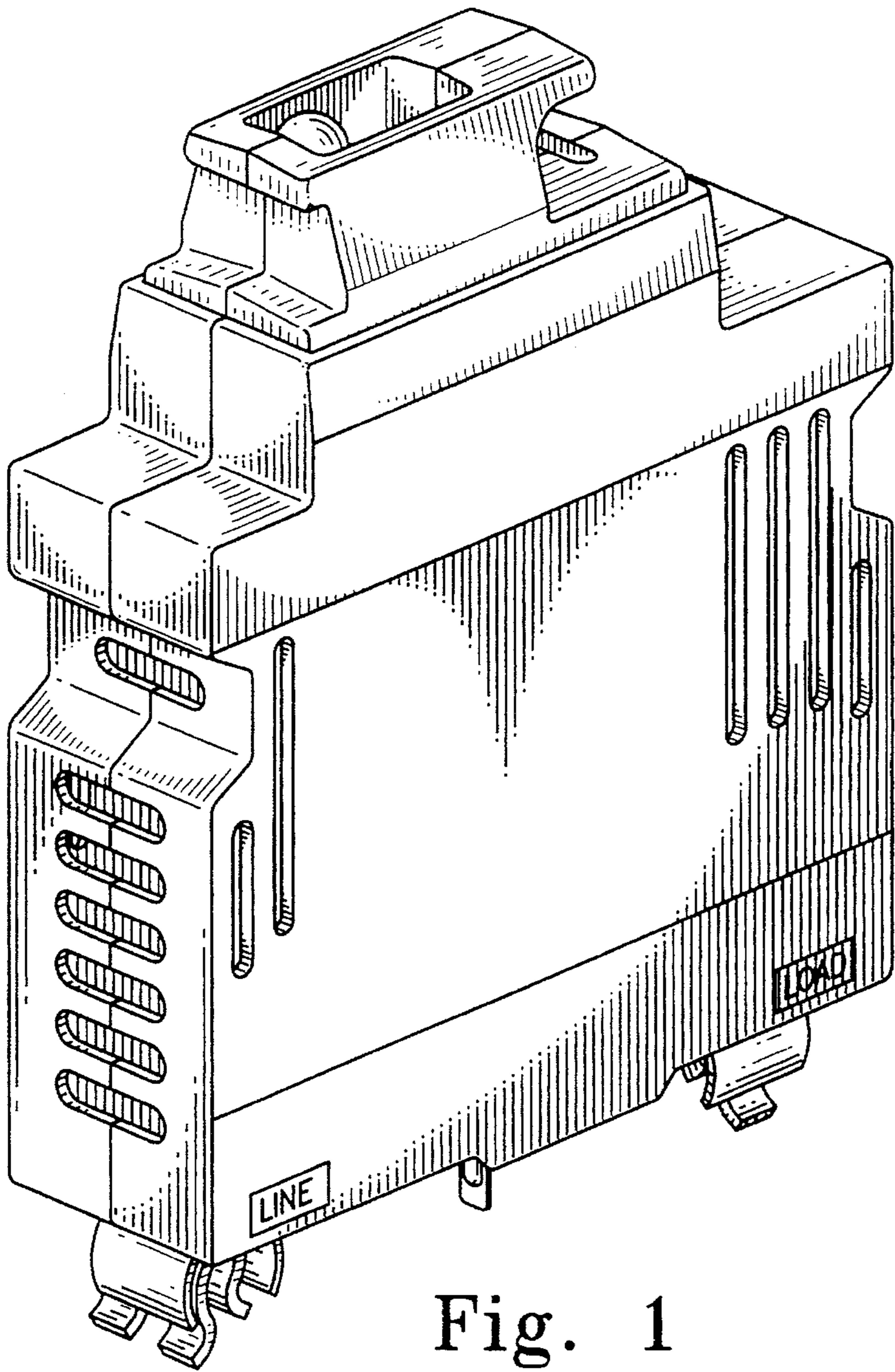


Fig. 1

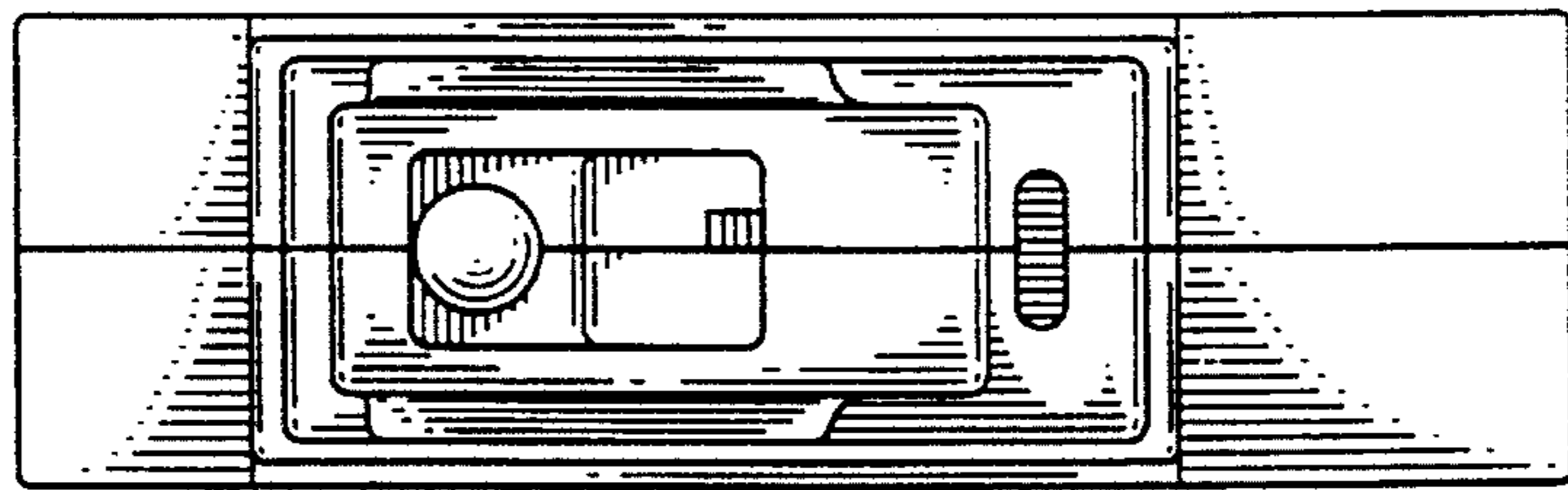


Fig. 2

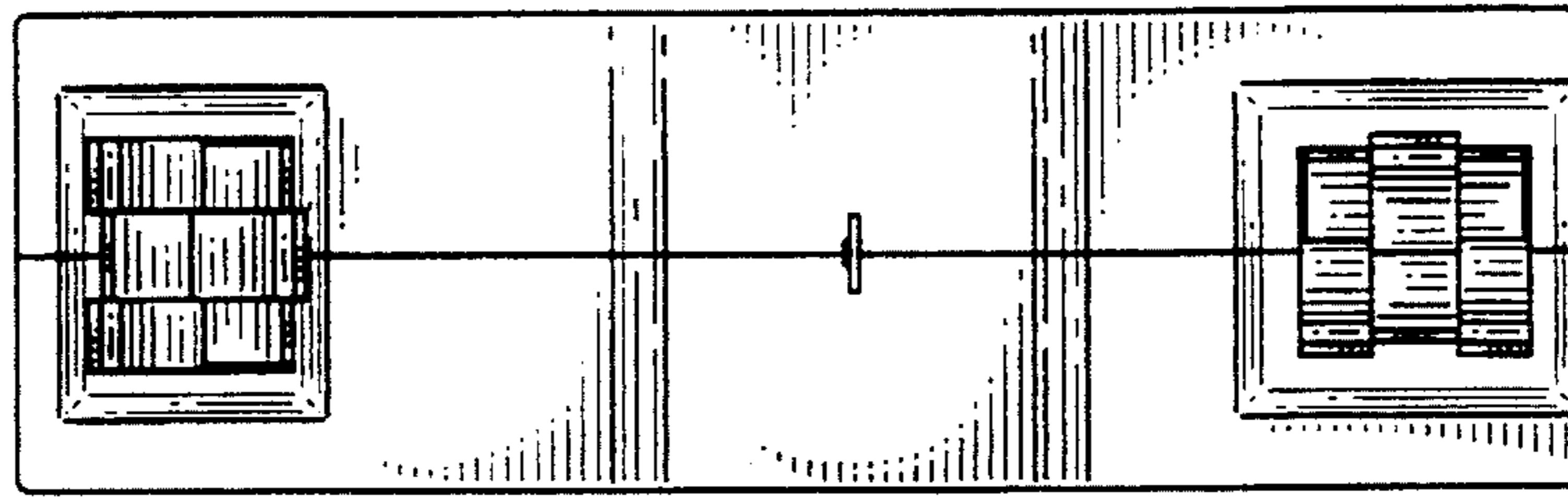


Fig. 3

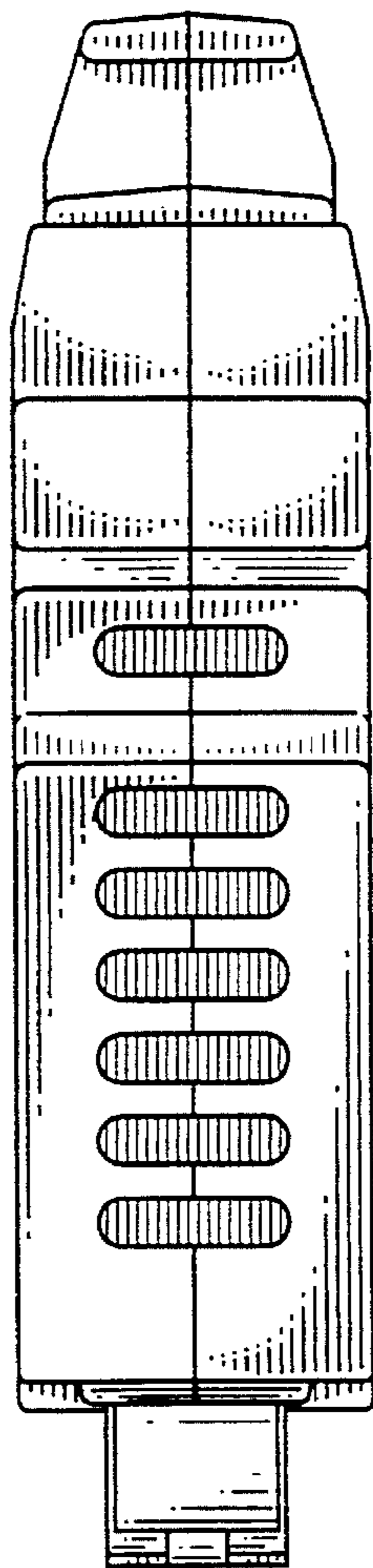


Fig. 4

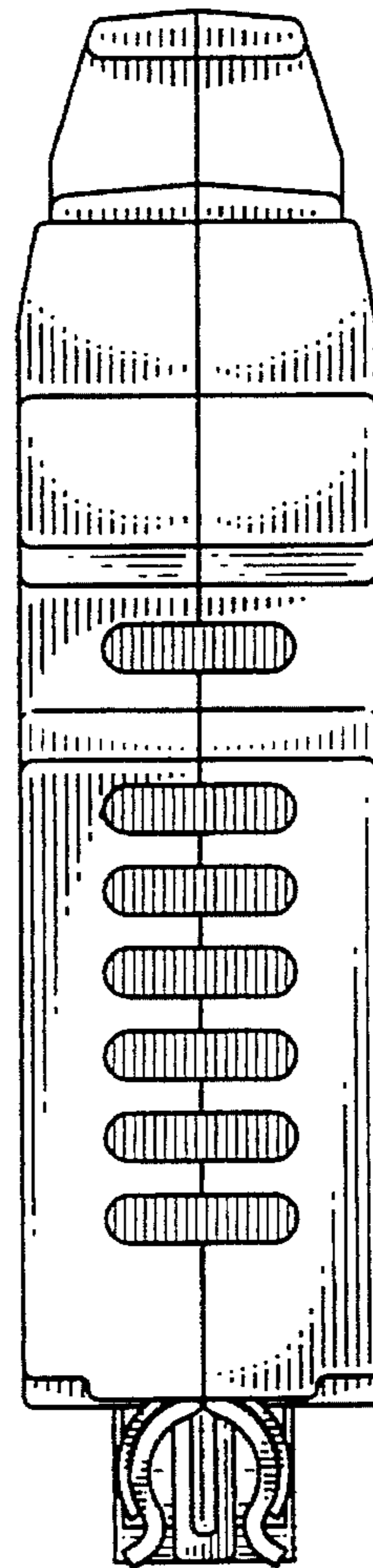


Fig. 5

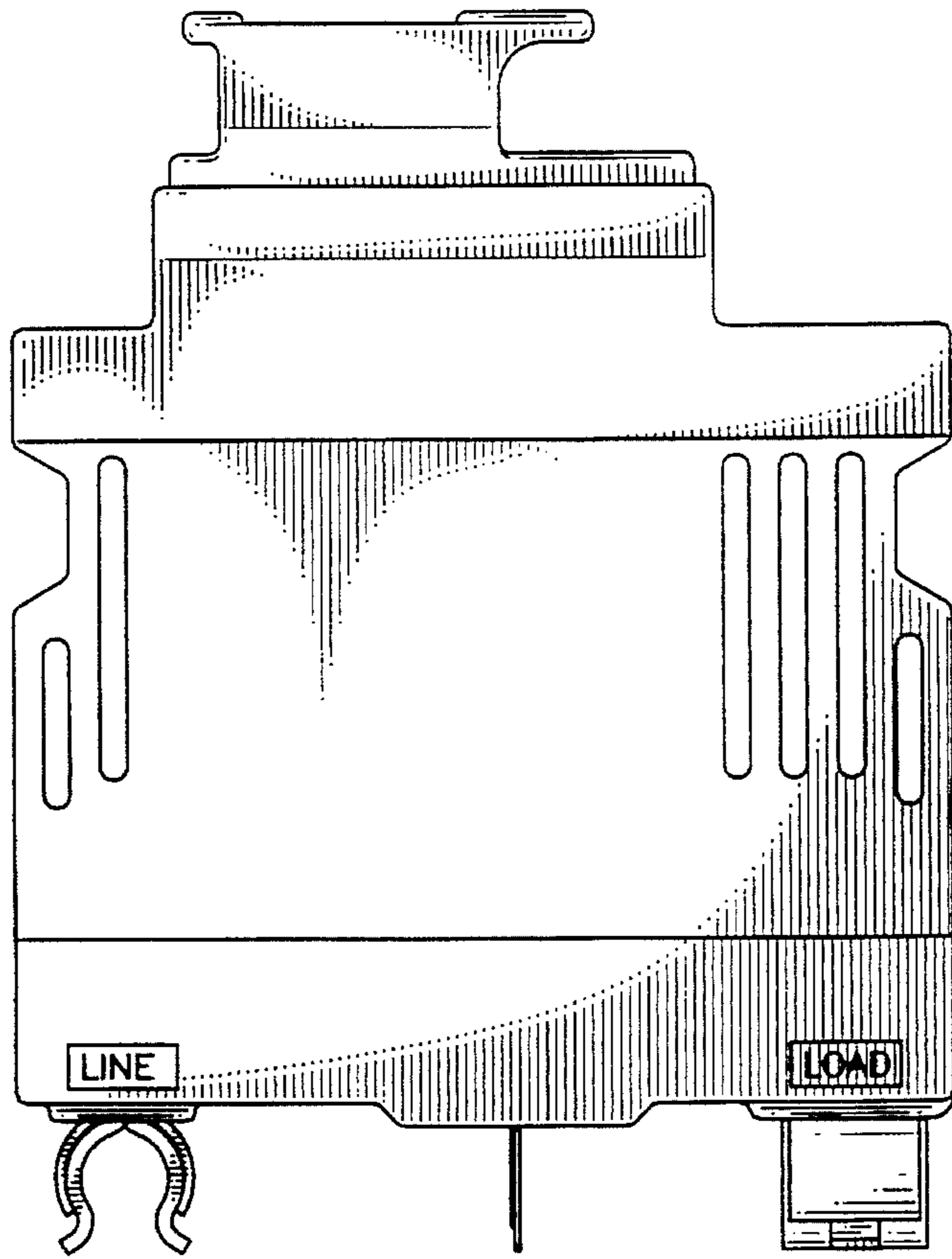


Fig. 6

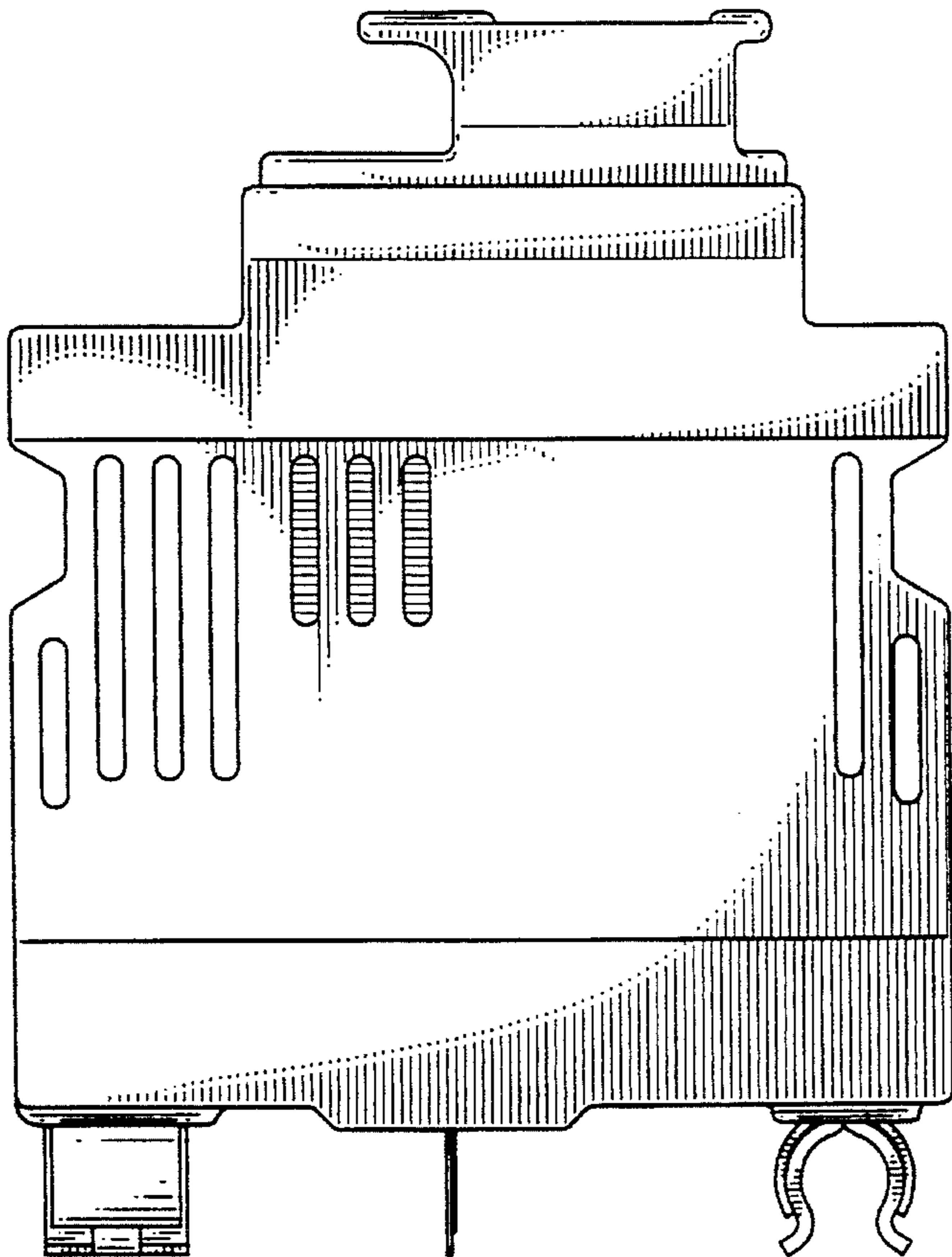


Fig. 7

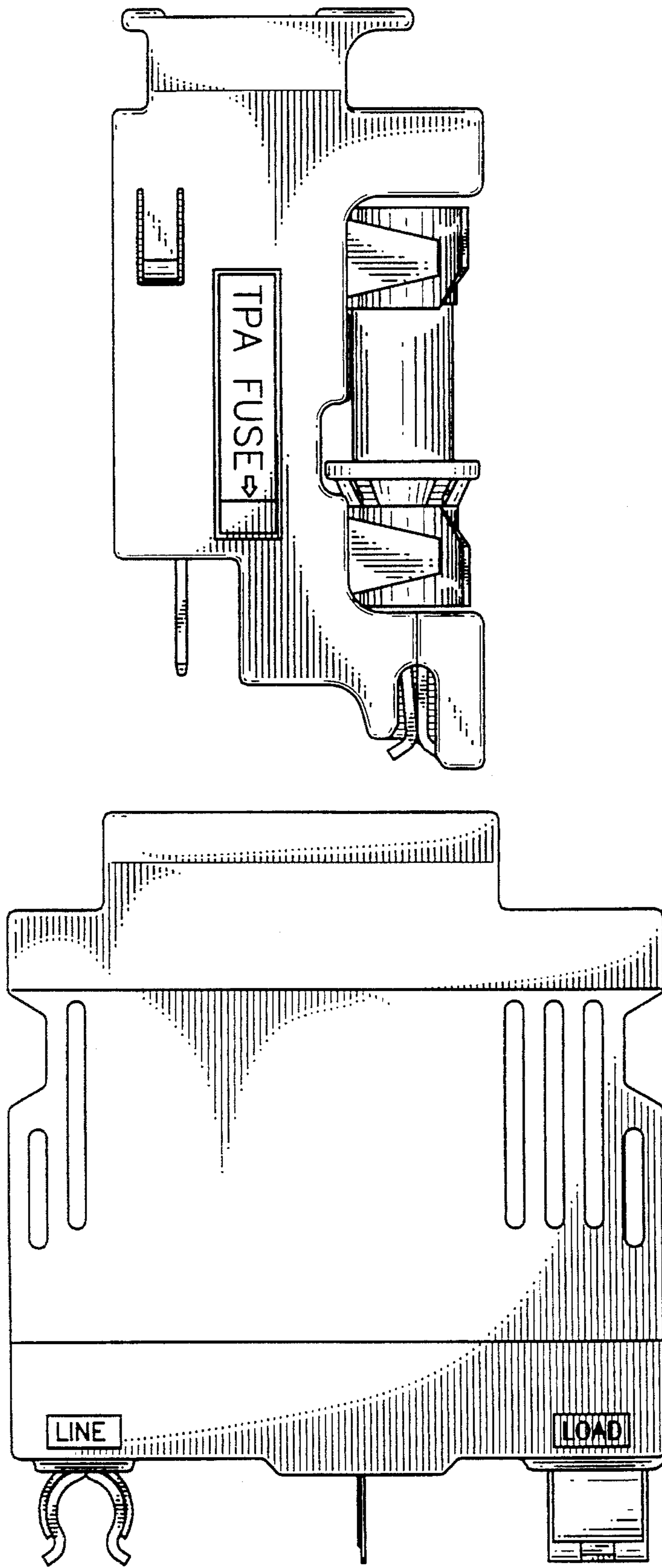


Fig. 8

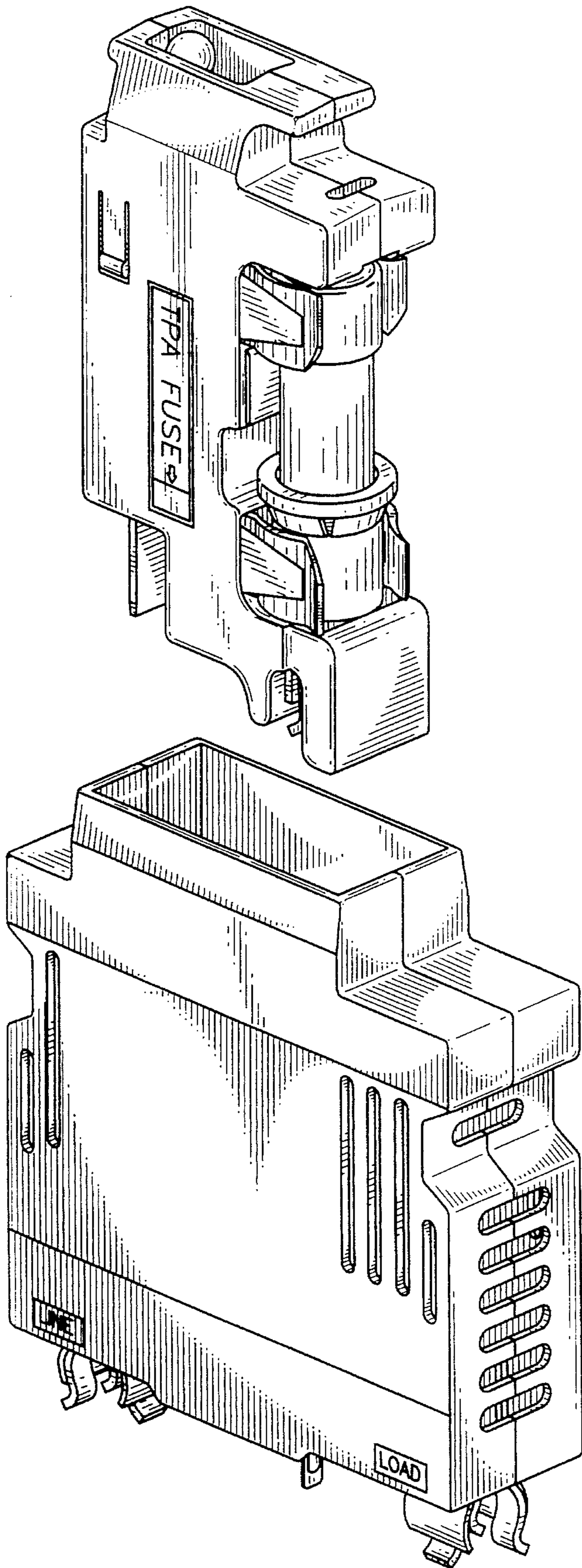


Fig. 9