



US00D367040S

United States Patent [19]

Hamada

[11] Patent Number: **Des. 367,040**

[45] Date of Patent: ****Feb. 13, 1996**

[54] **MULTI WAY CONNECTOR**

[75] Inventor: **Shinobu Hamada**, Tokyo, Japan

[73] Assignee: **Sega Enterprises, Ltd.**, Tokyo, Japan

[**] Term: **14 Years**

[21] Appl. No.: **34,216**

[22] Filed: **Jan. 30, 1995**

[52] U.S. Cl. **D13/147**

[58] Field of Search D13/146, 147;
439/62, 76.1, 247, 248, 538, 544, 562,
565, 571, 678, 844

[56] **References Cited**

U.S. PATENT DOCUMENTS

3,002,175 9/1961 Bertram et al. D13/147 X

4,978,313 12/1990 Kameyama 439/248
5,326,931 7/1994 Cain et al. 439/538 X
5,342,203 8/1994 Perretta et al. 439/76.1

Primary Examiner—Joel Sincavage
Attorney, Agent, or Firm—Michael N. Meller

[57] **CLAIM**

The ornamental design for multi way connector, as shown and described.

DESCRIPTION

FIG. 1 is a top front and right side perspective view of multi way connector showing my new design; and, FIG. 2 is a rear, bottom and left side perspective view thereof.

1 Claim, 1 Drawing Sheet

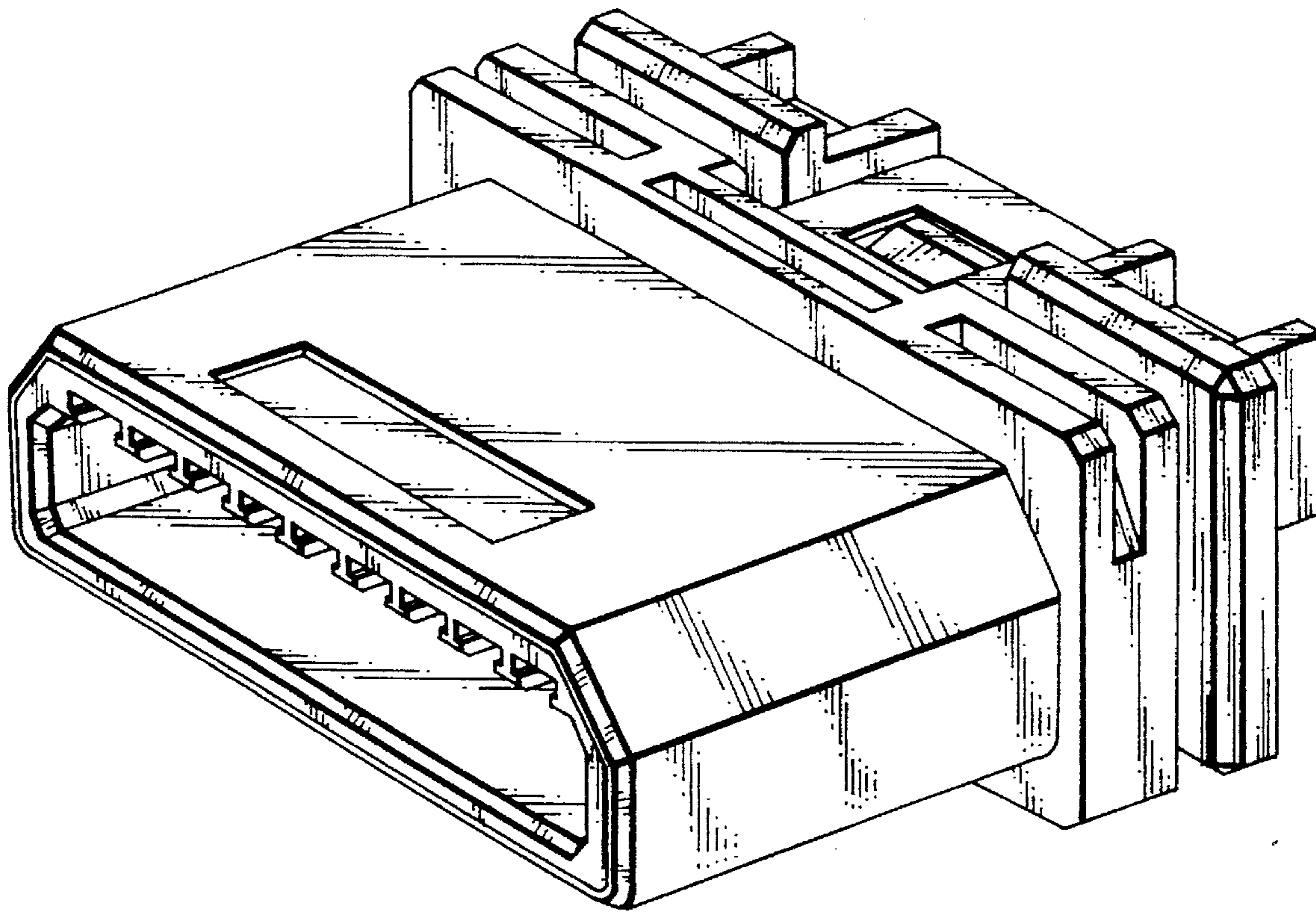


FIG. 1

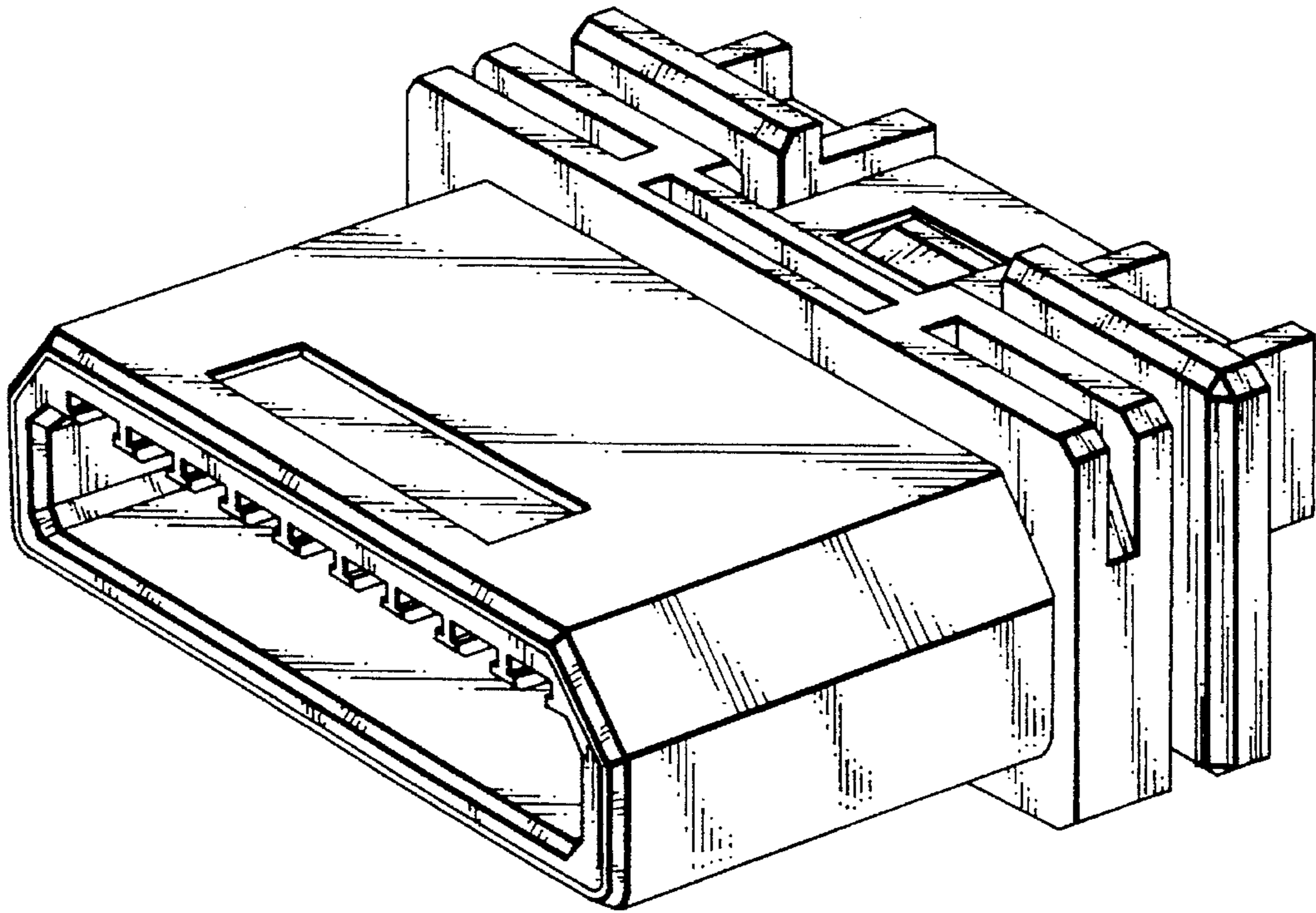


FIG. 2

