



US00D367039S

United States Patent [19]
Loh

[11] **Patent Number: Des. 367,039**
[45] **Date of Patent: **Feb. 13, 1996**

[54] **NETWORK ADAPTOR**

[75] Inventor: **Pit-Kin Loh**, Seremban, Malaysia

[73] Assignee: **PK Electronic Industries SDN BHD**, Seremban, Malaysia

[**] Term: **14 Years**

[21] Appl. No.: **22,645**

[22] Filed: **May 10, 1994**

[52] U.S. Cl. **D13/147**

[58] Field of Search **D13/147; 439/95, 439/372, 620, 626, 638, 650, 651, 653, 655, 660, 676**

[56] **References Cited**

U.S. PATENT DOCUMENTS

D. 305,224	12/1989	Iwashita	D13/147
D. 327,470	6/1992	Davis et al.	D13/147
D. 331,395	12/1992	Lou	D13/147 X
4,585,290	4/1986	Knickerbocker et al.	439/651 X
4,804,332	2/1989	Pirc	439/620
4,861,276	8/1989	Muller et al.	439/372 X
4,862,311	8/1989	Rust et al.	D13/147 X
5,340,333	8/1994	Schroth	439/95 X

OTHER PUBLICATIONS

Ethernet expander on p. 12 of *Control Cable, Inc.*, May 1988 catalog.
Modular adapter on p. 17 of *Control Cable, Inc.*, May 1988 catalog.
Short range modems on p. 12 of *Patton Electronics Catalog No. 11*, 1988.

Print server on p. 40 of *LAN Technology*, Sep. 1992.
Transceivers on p. 32 of *LAN Technology*, Sep. 1992.

Primary Examiner—Joel Sincavage
Attorney, Agent, or Firm—Sandler, Greenblum & Bernstein

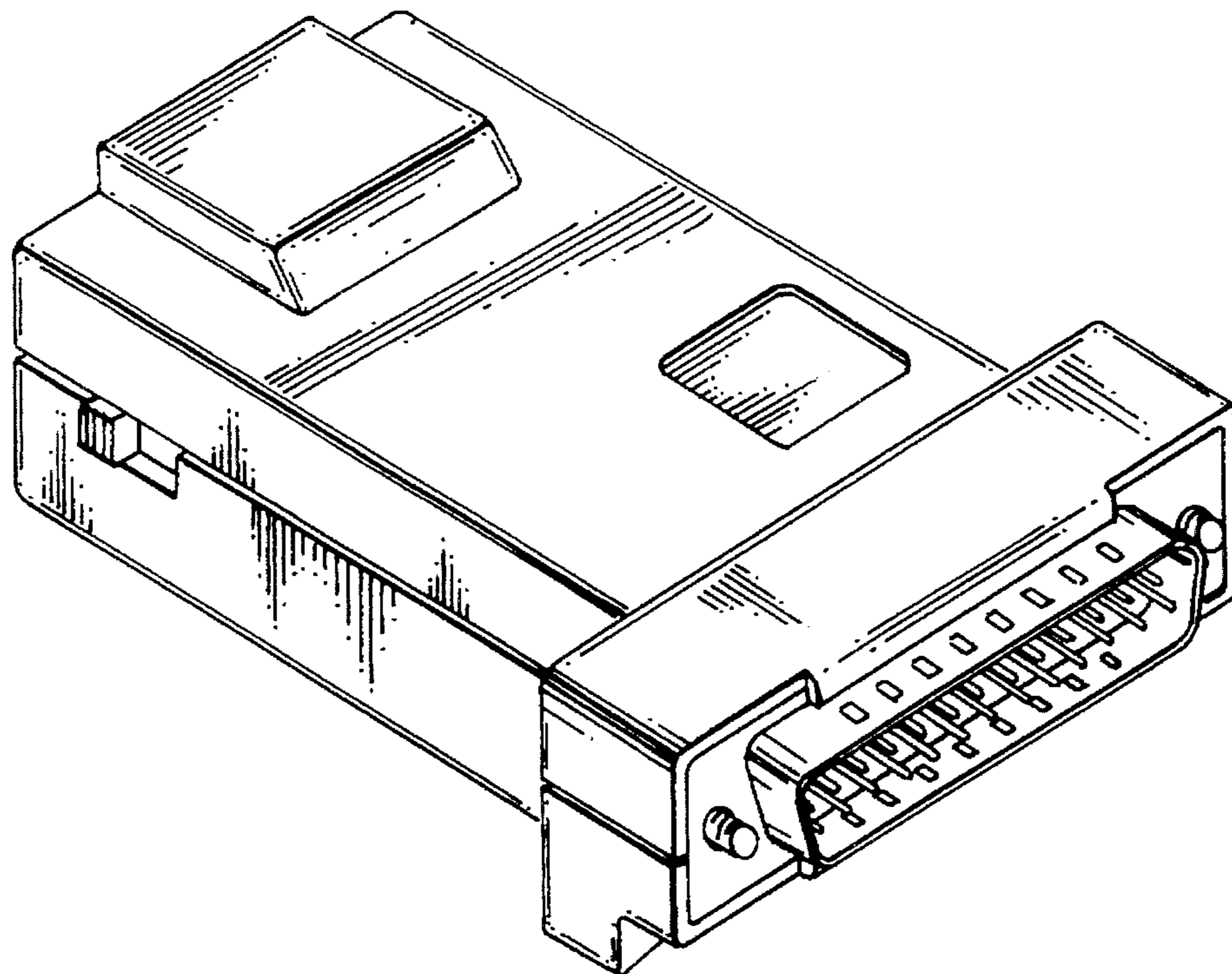
[57] **CLAIM**

The ornamental design for a network adaptor, as shown and described.

DESCRIPTION

FIG. 1 is a top plan view of the network adaptor according to the present invention;
FIG. 2 is a rear elevational view thereof;
FIG. 3 is a left side elevational view thereof;
FIG. 4 is a front elevational view thereof;
FIG. 5 is a right side elevational view thereof;
FIG. 6 is a bottom plan view thereof;
FIG. 7 is a top plan view of another embodiment of the network adaptor according to the present invention;
FIG. 8 is a rear elevational view thereof;
FIG. 9 is a left side elevational view thereof;
FIG. 10 is a front elevational view thereof;
FIG. 11 is a right side elevational view thereof;
FIG. 12 is a bottom plan view thereof;
FIG. 13 is an upper perspective view of the embodiment shown in FIGS. 7-12;
FIG. 14 is a lower perspective view of the embodiment shown in FIGS. 7-12;
FIG. 15 is an upper perspective view of the embodiment shown in FIGS. 1-6; and,
FIG. 16 is a lower perspective view of the embodiment shown in FIGS. 1-6.

1 Claim, 4 Drawing Sheets



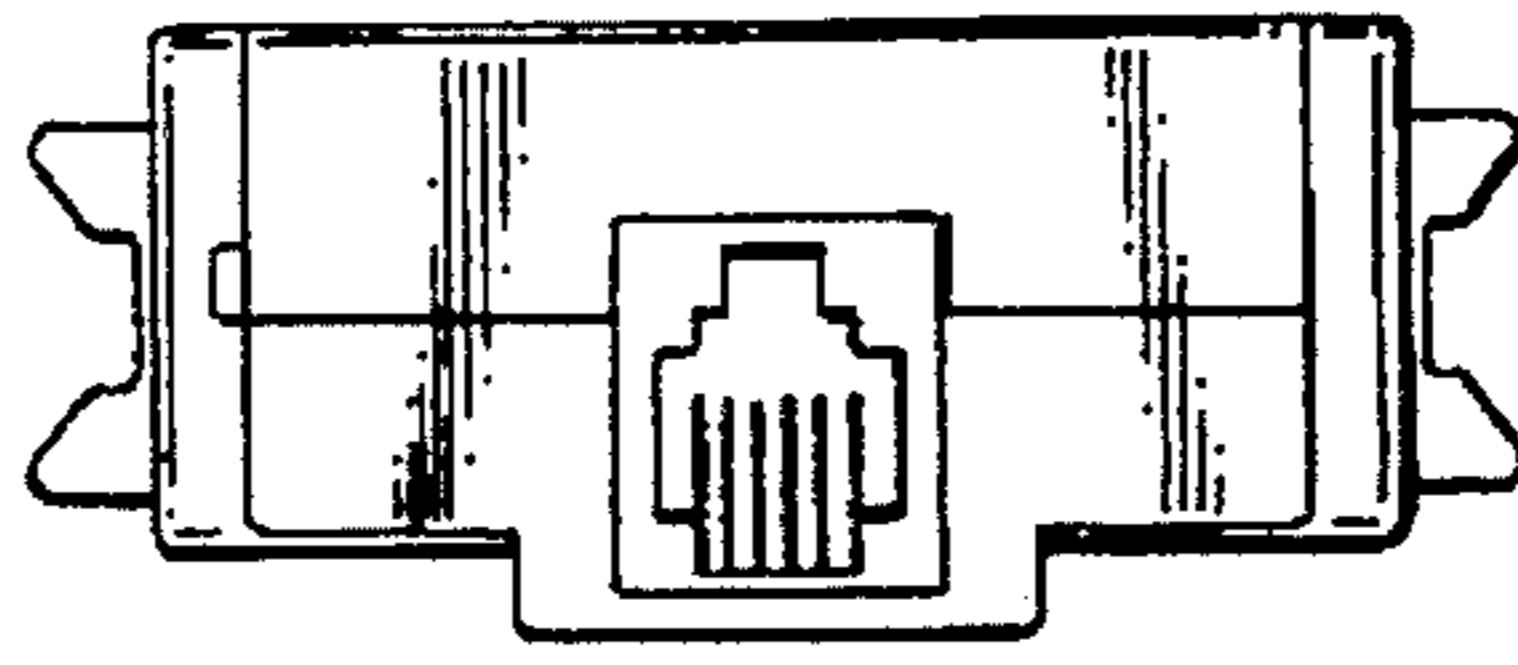


Fig. 1

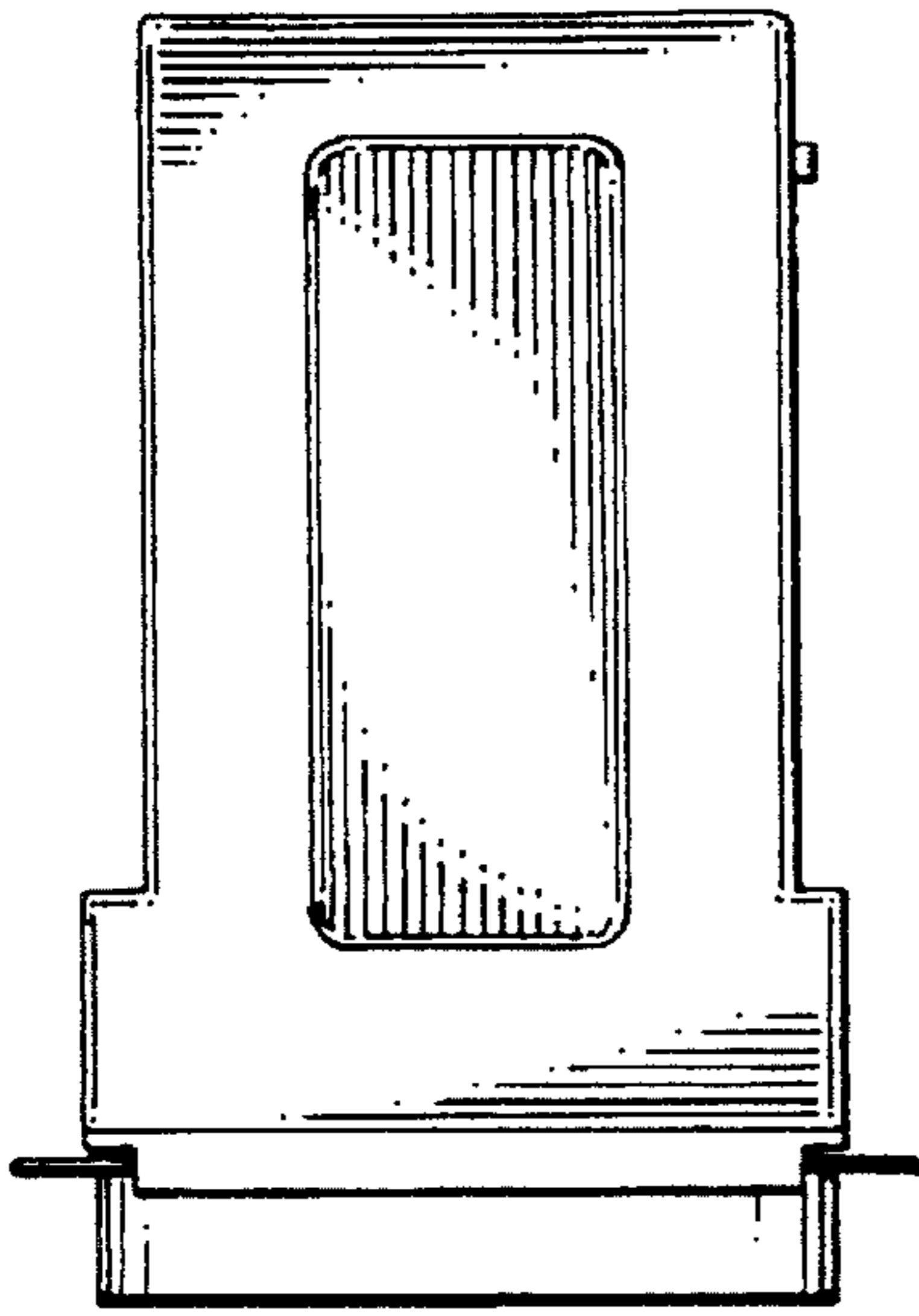


Fig. 2

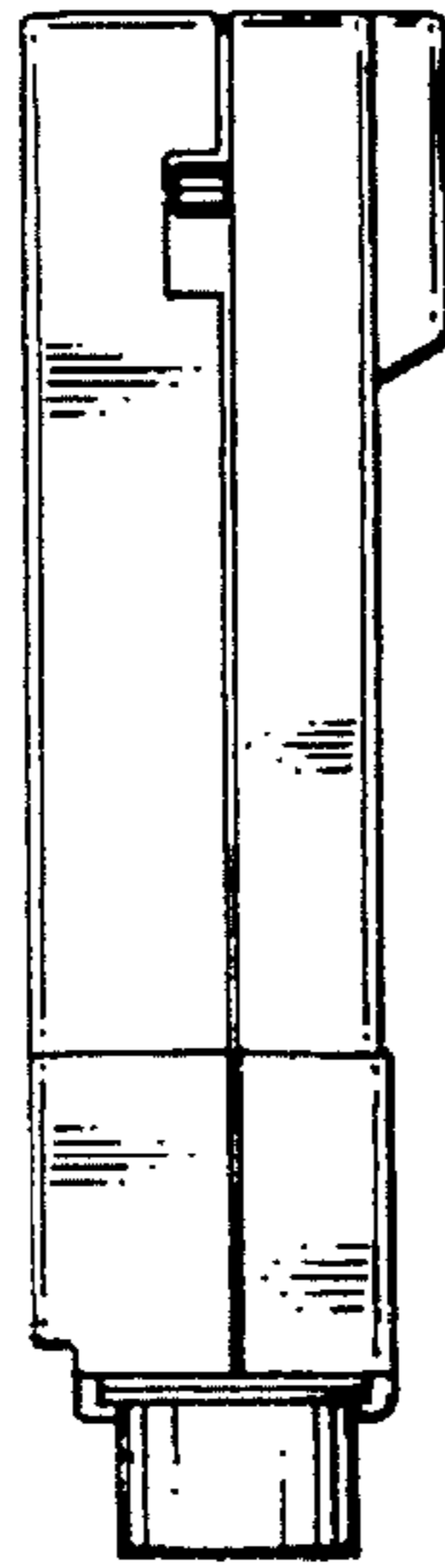


Fig. 3

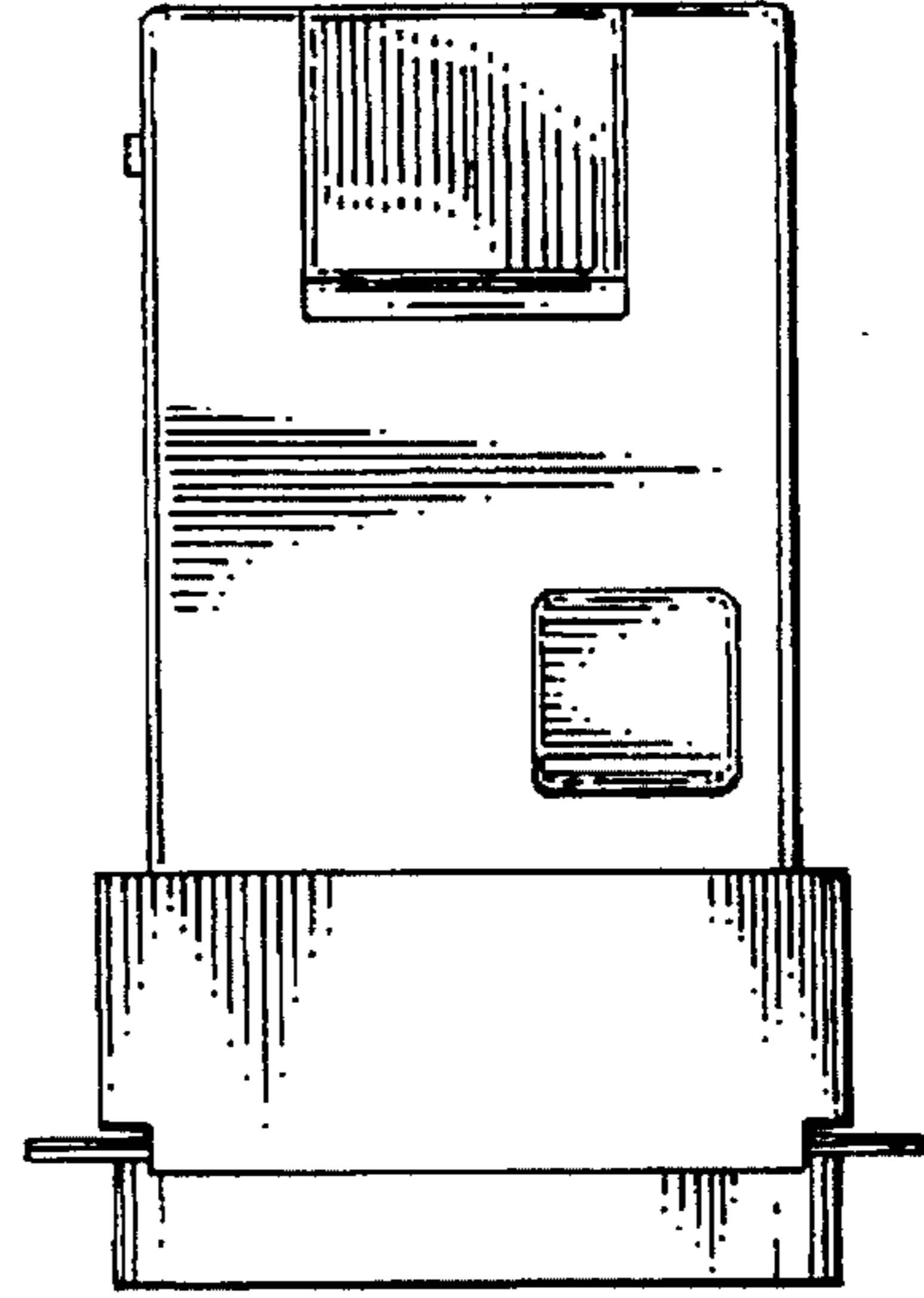


Fig. 4

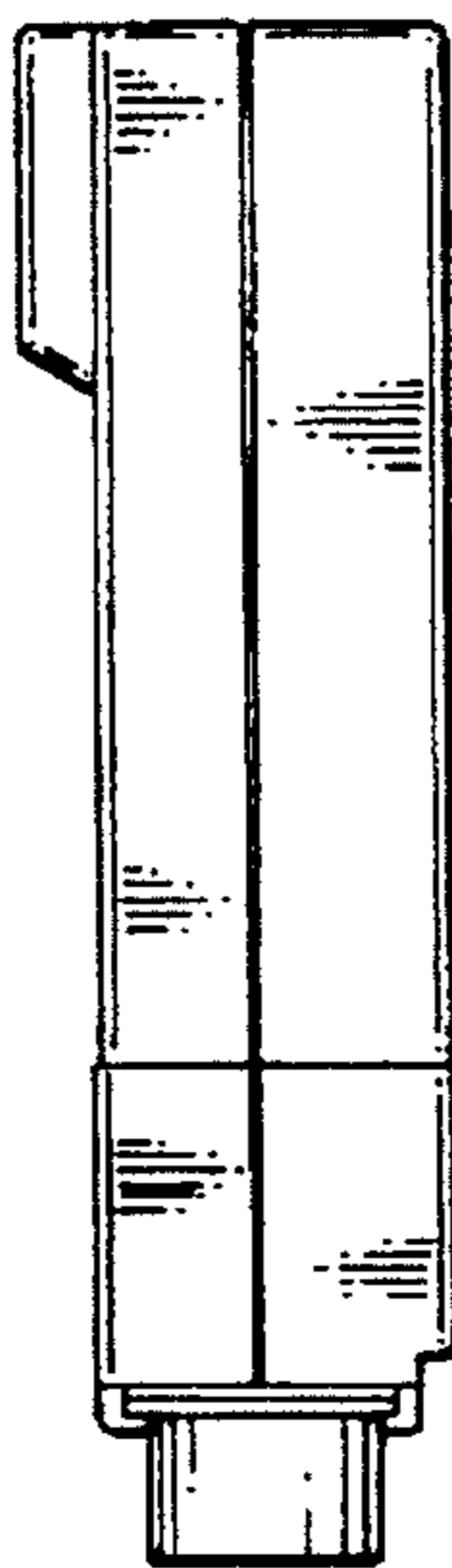


Fig. 5

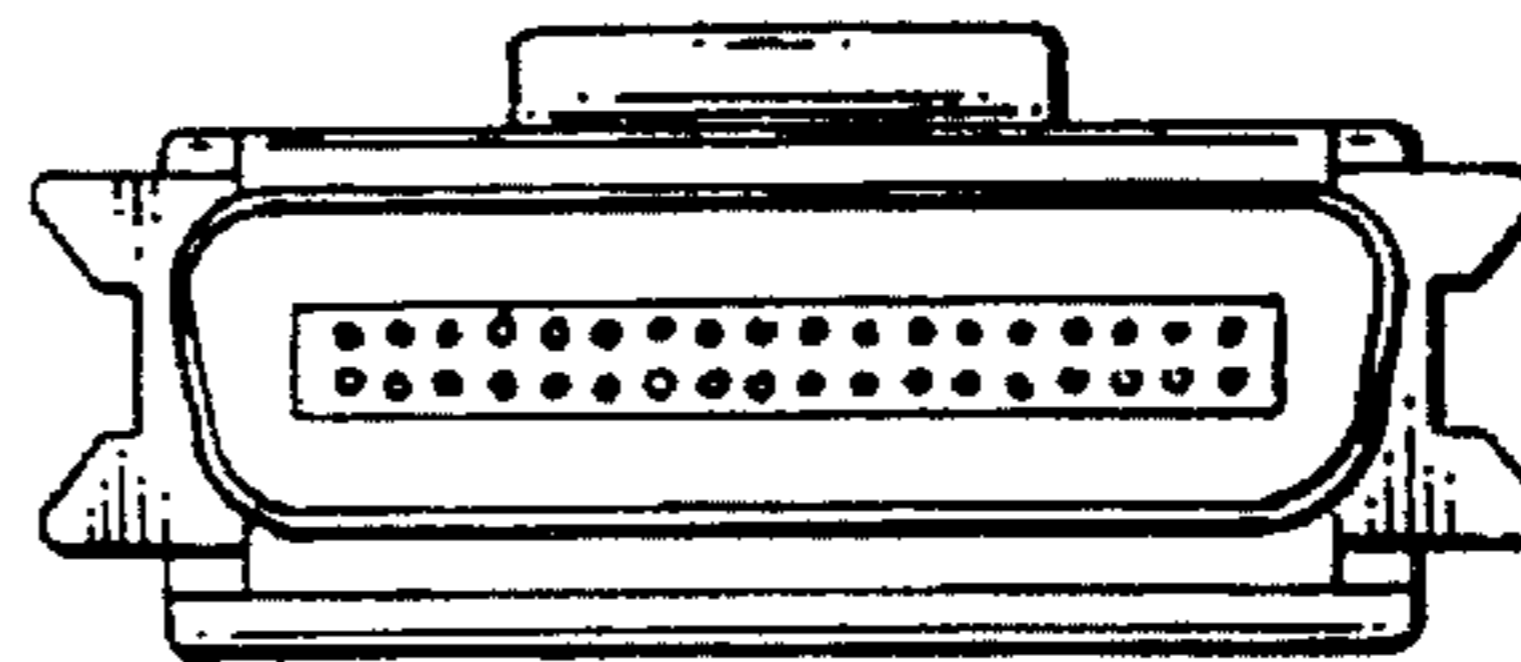


Fig. 6

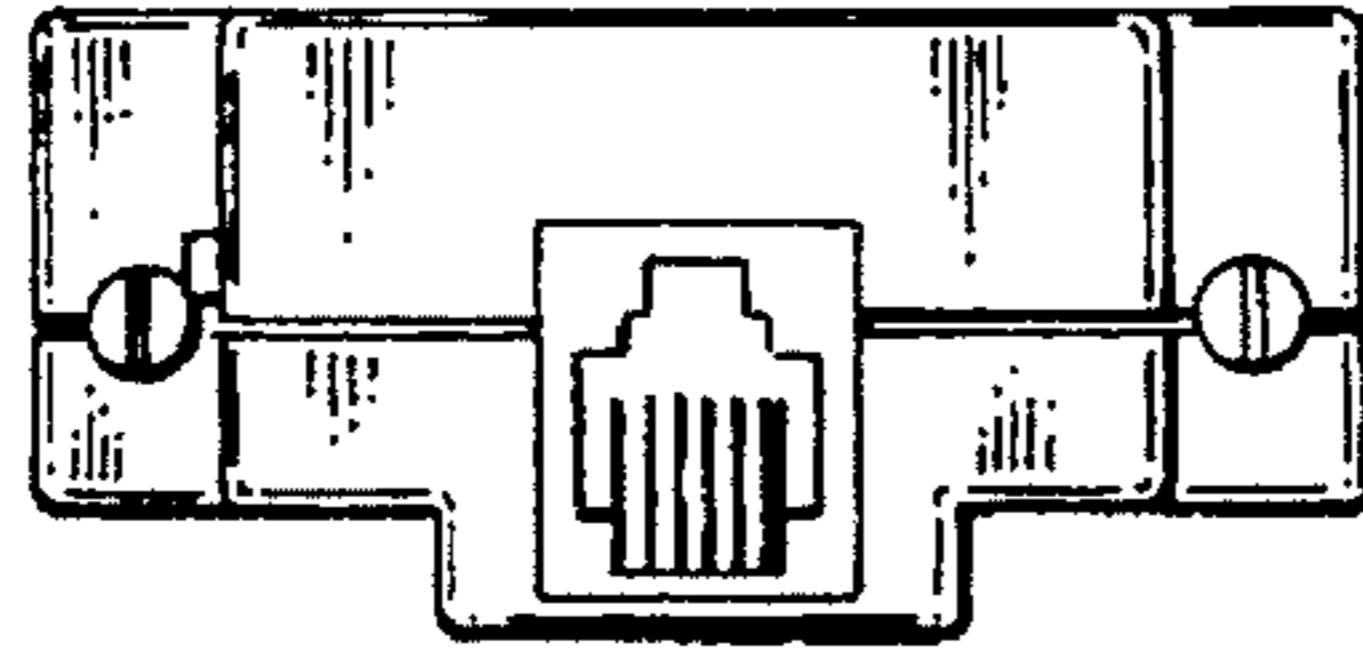


Fig. 7

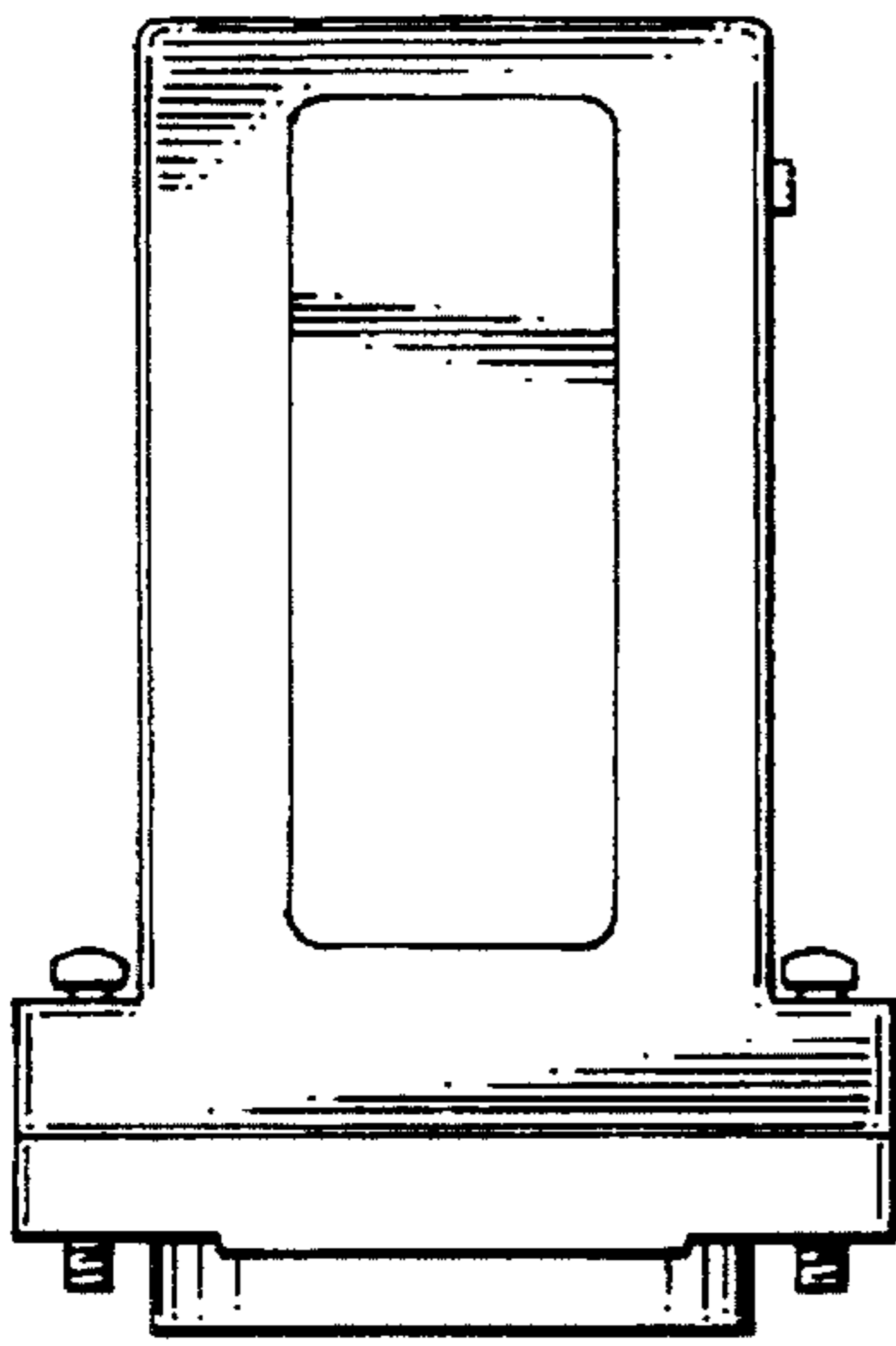


Fig. 8

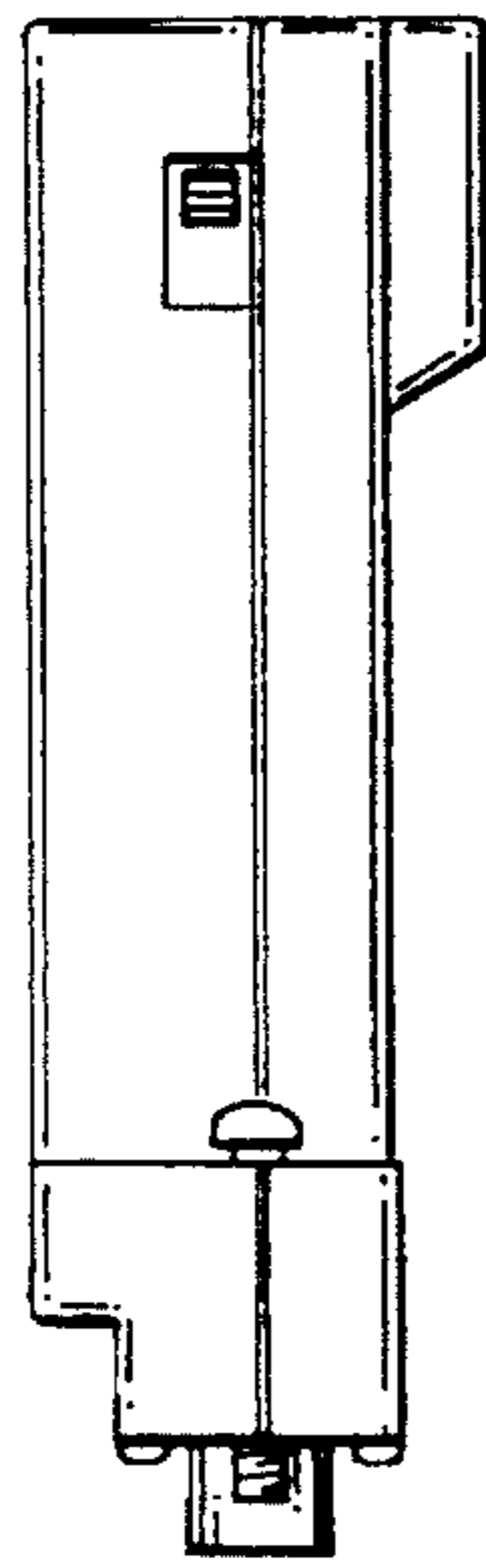


Fig. 9

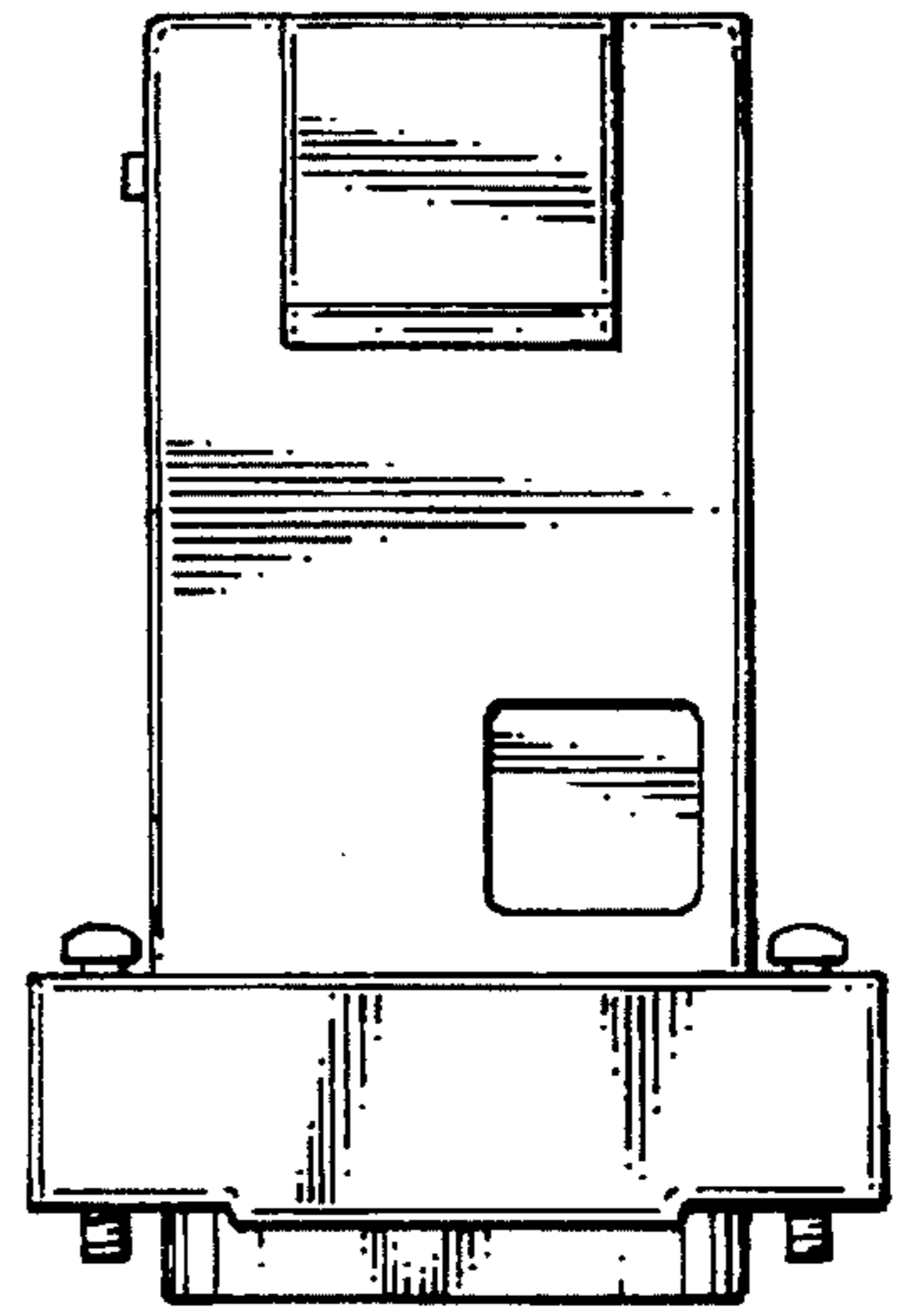


Fig. 10

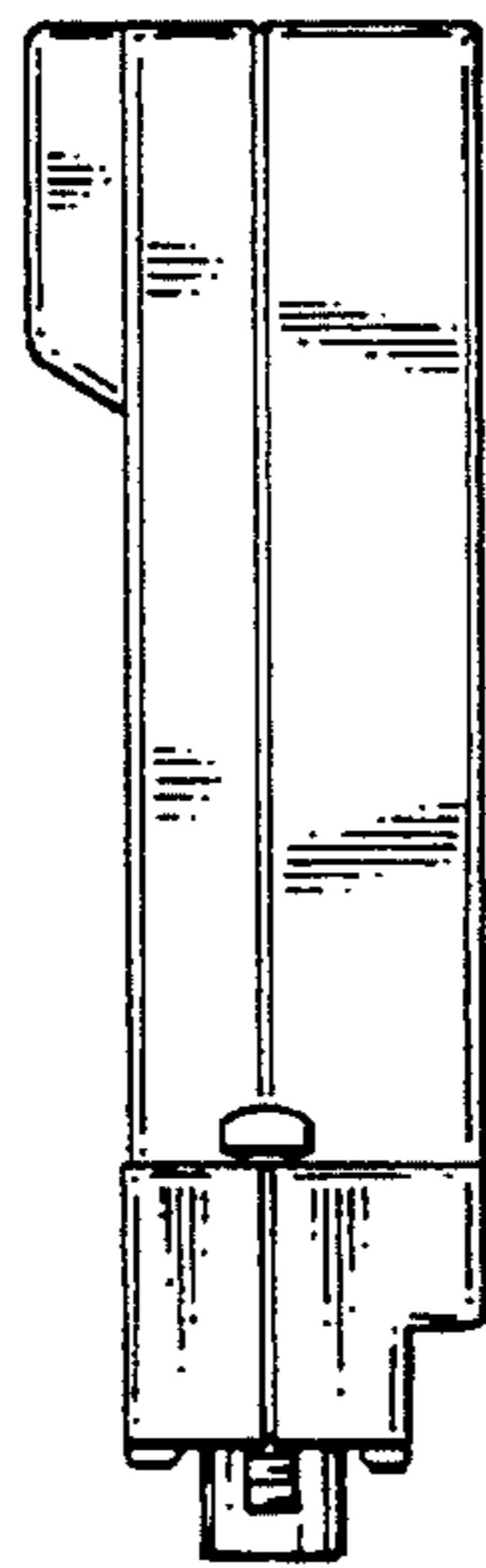


Fig. 11

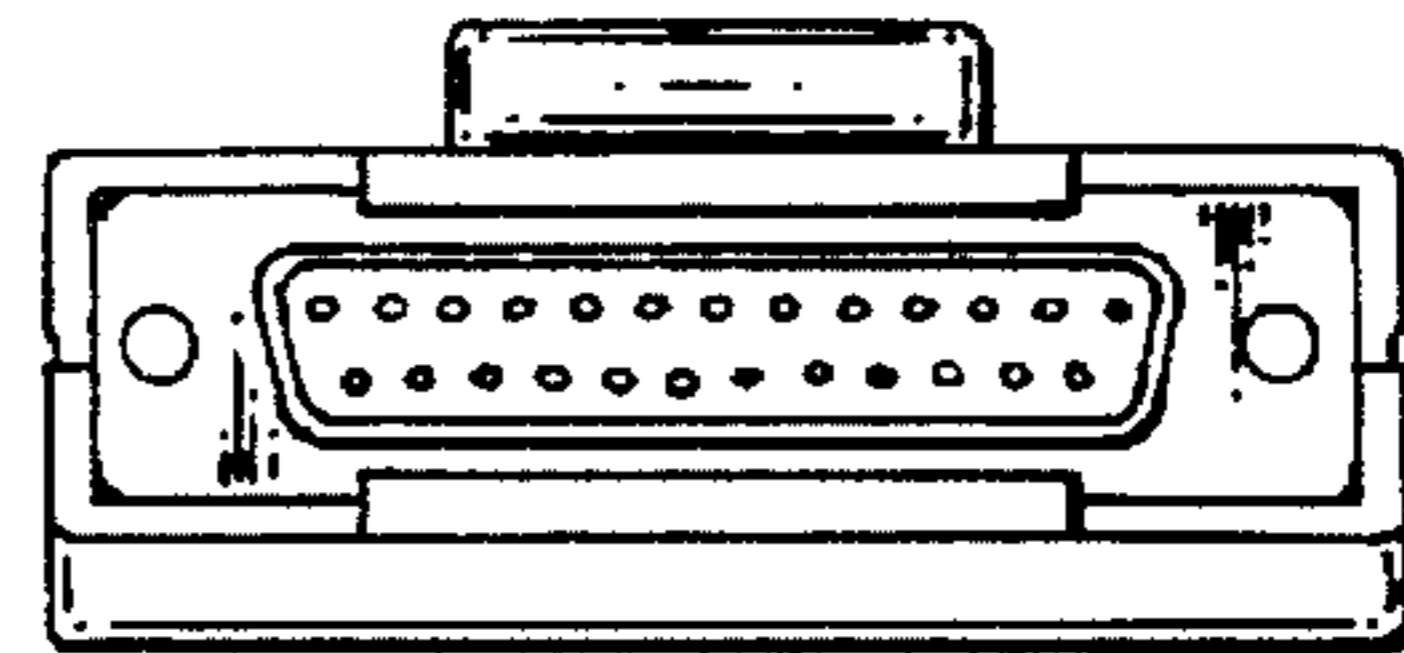


Fig. 12

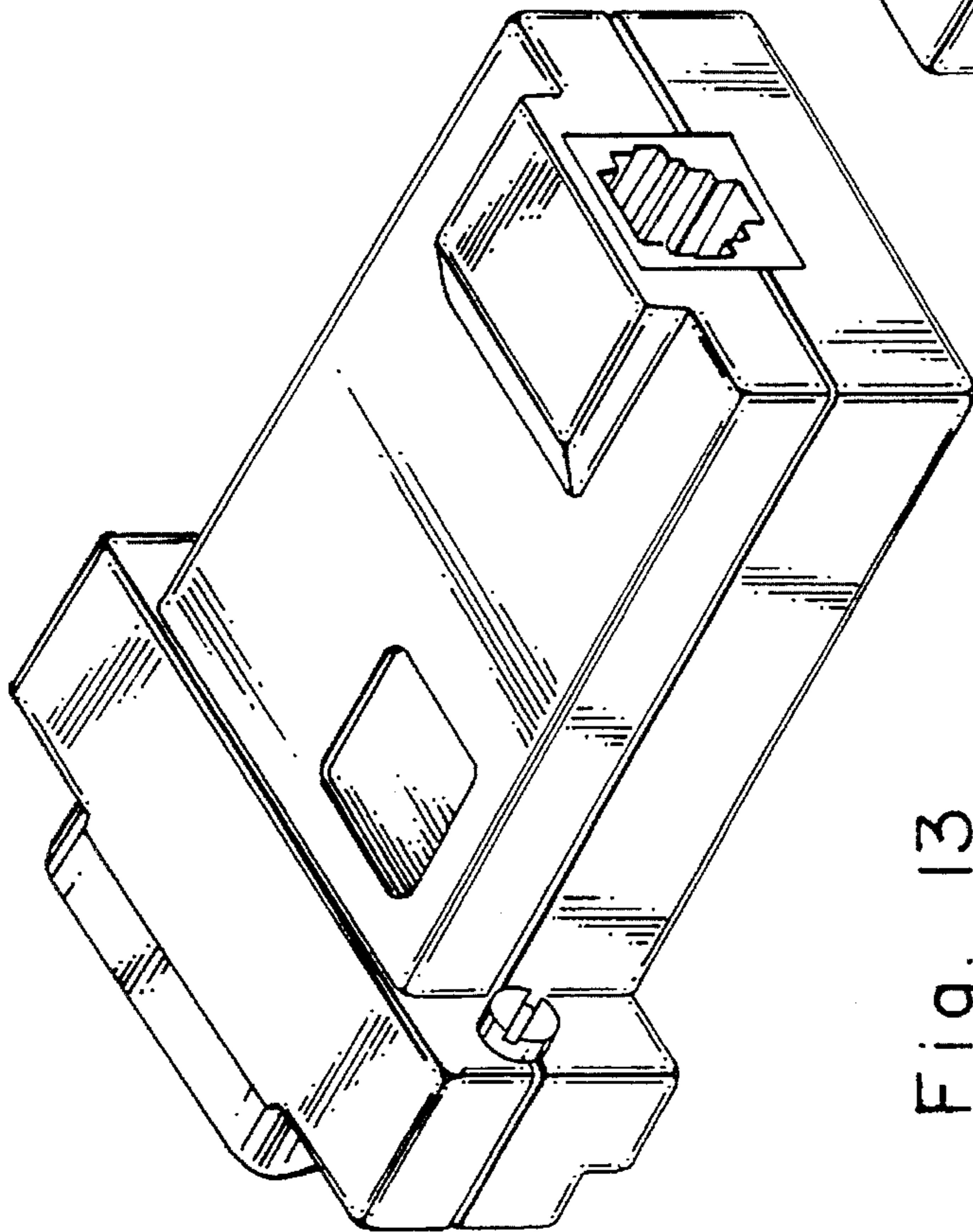


Fig. 13

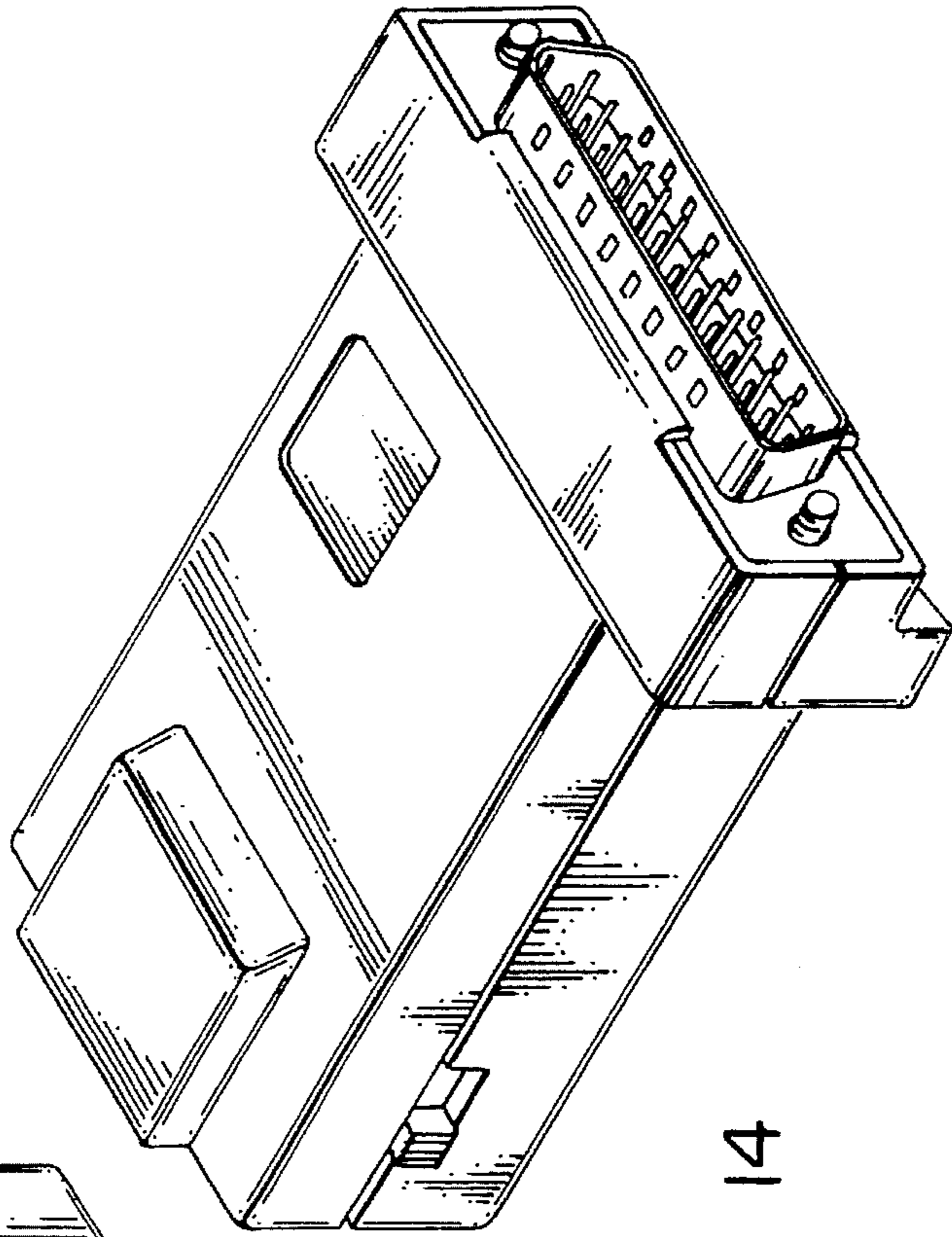


Fig. 14

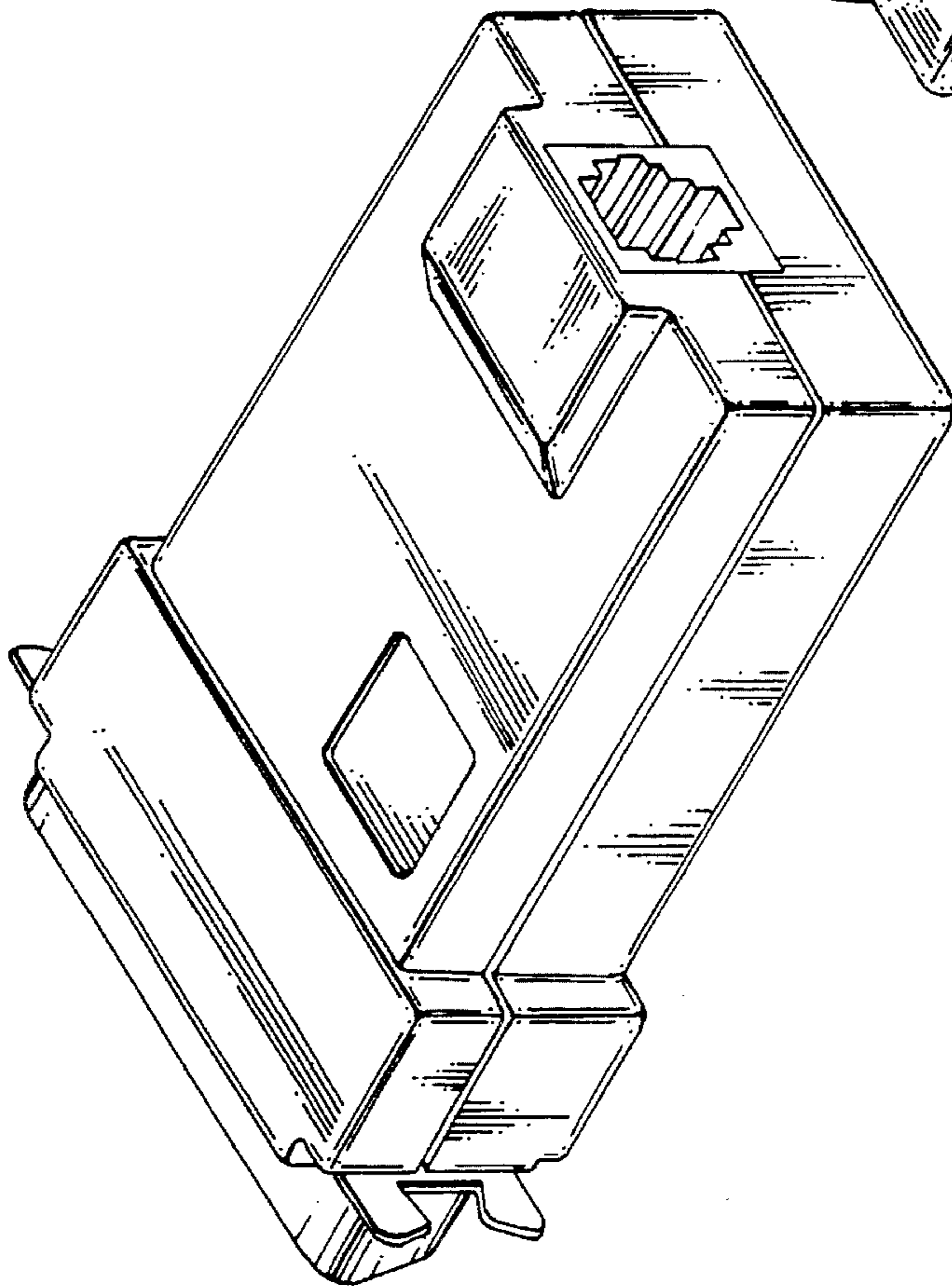


Fig - 15

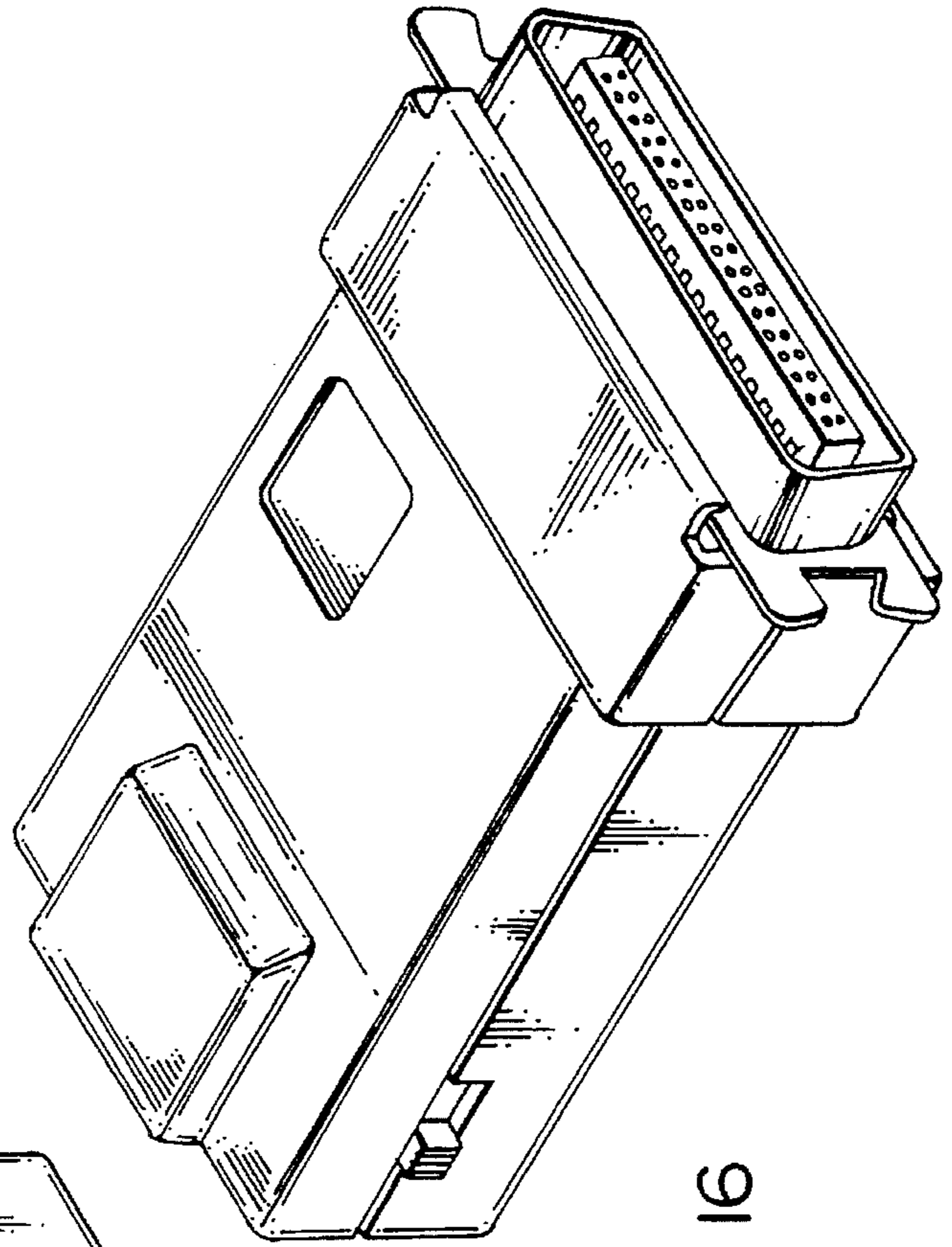


Fig. 16