



US00D367035S

United States Patent [19]

[11] Patent Number: **Des. 367,035**

Wells

[45] Date of Patent: ****Feb. 13, 1996**

[54] **ARTICLES SUPPORT CONSOLE FOR AUTOMOBILES**

5,037,162 8/1991 Ransom 224/42.45 R

[76] Inventor: **Betty M. Wells**, 8907 W. 77th Pl., Arvada, Colo. 80005

Primary Examiner—A. Hugo Word

Assistant Examiner—M. Brown

Attorney, Agent, or Firm—Duane Burton

[**] Term: **14 Years**

[57] **CLAIM**

[21] Appl. No.: **7,781**

The ornamental design for an articles support console for automobiles, as shown and described.

[22] Filed: **May 3, 1993**

DESCRIPTION

[52] U.S. Cl. **D12/419**

[58] Field of Search D12/419, 423, D12/420; 224/42.11, 42.42, 42.45 R, 273, 275, 371

FIG. 1 is a perspective view of an articles support console for automobiles showing my new design; FIG. 2 is a right side elevational view thereof, the left-side view being a mirror image of that shown; FIG. 3 is a front elevational view thereof; FIG. 4 is a rear elevational view thereof; and, FIG. 5 is a top plan view thereof.

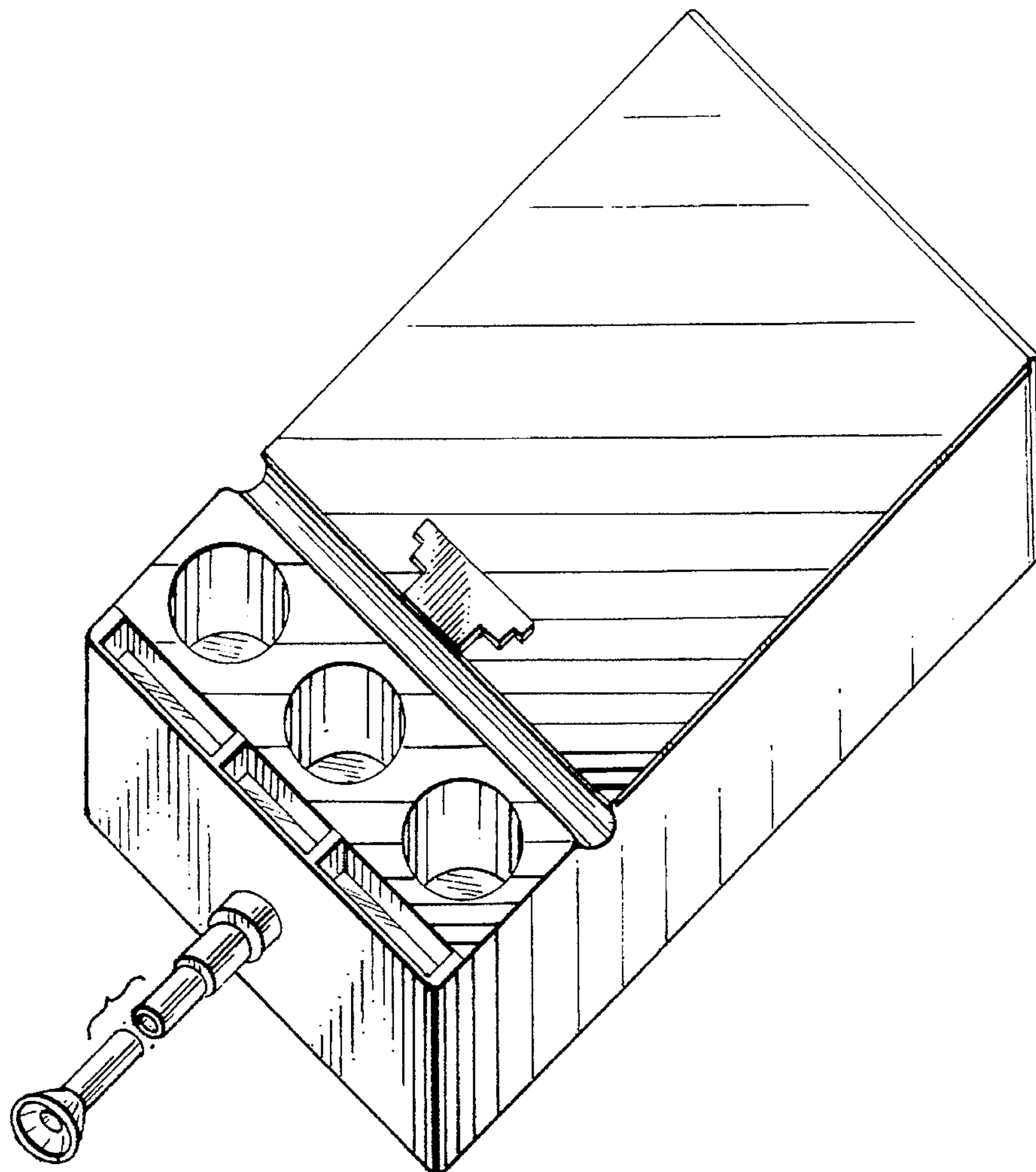
[56] **References Cited**

U.S. PATENT DOCUMENTS

D. 264,525	5/1982	Page, Jr.	D12/419
D. 280,729	9/1985	Paternostro	D12/419
D. 293,163	12/1987	Roth	D12/420
D. 328,669	8/1992	Stevold	D12/419
D. 336,985	7/1993	Hukmann et al.	D12/419

The spring arm shown in FIGS. 1, 2 and 5 is shown broken away for convenience of illustration.

1 Claim, 2 Drawing Sheets



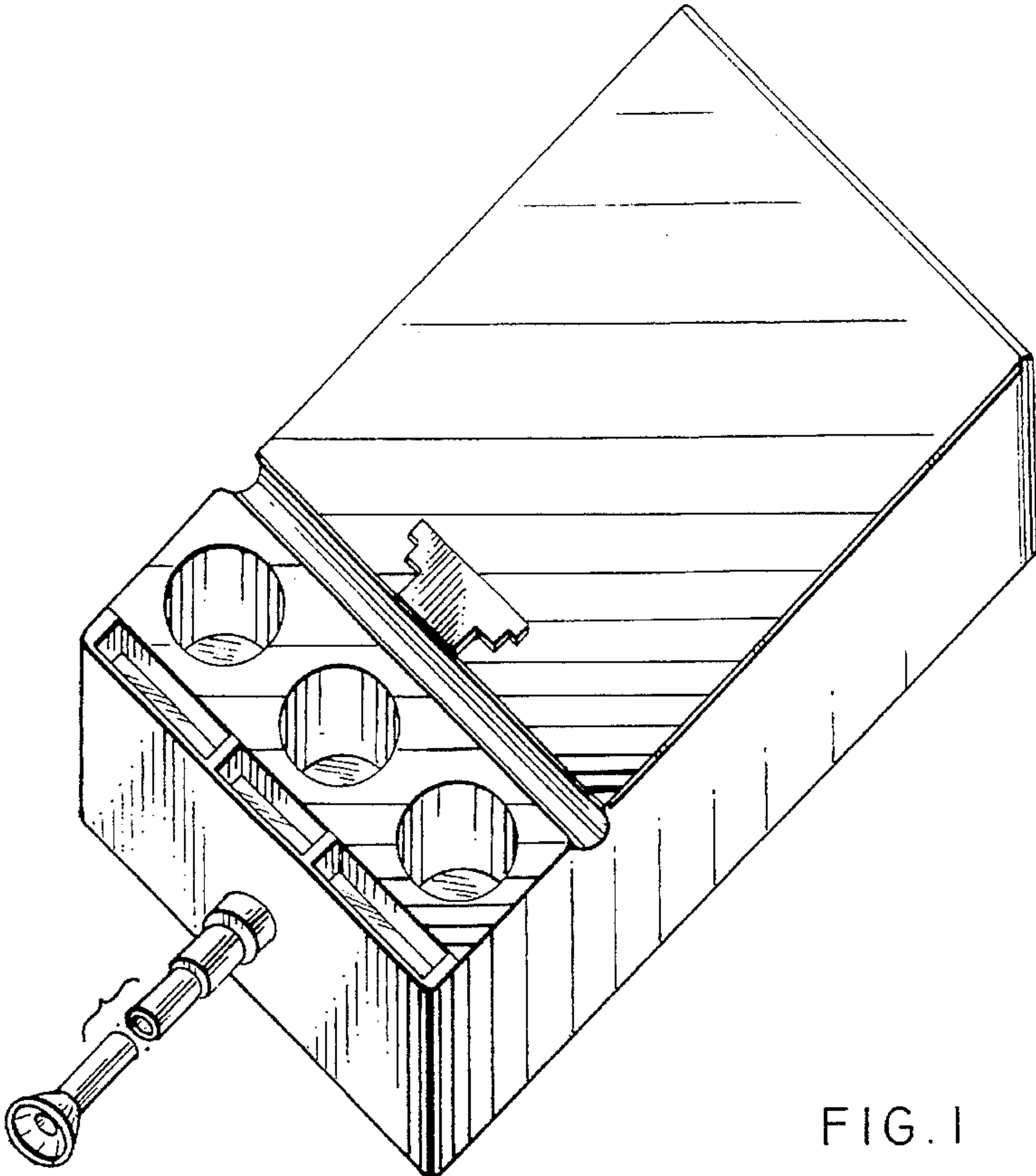


FIG. 1

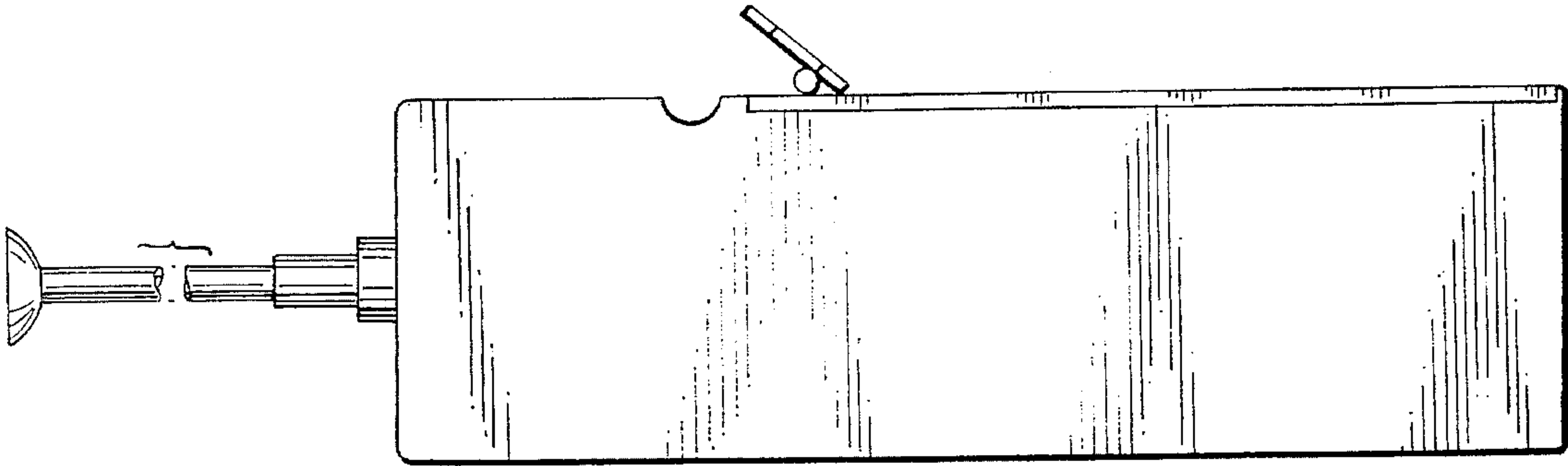


FIG. 2

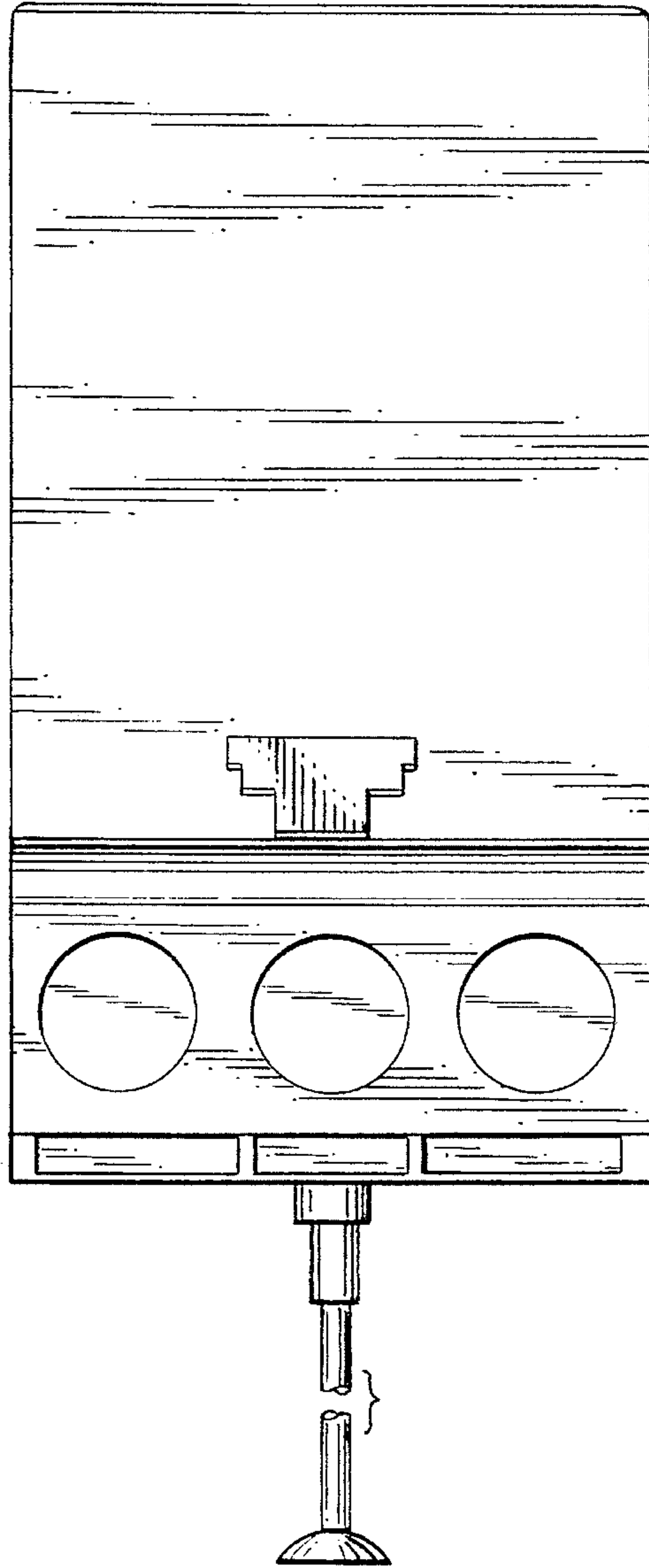


FIG. 5

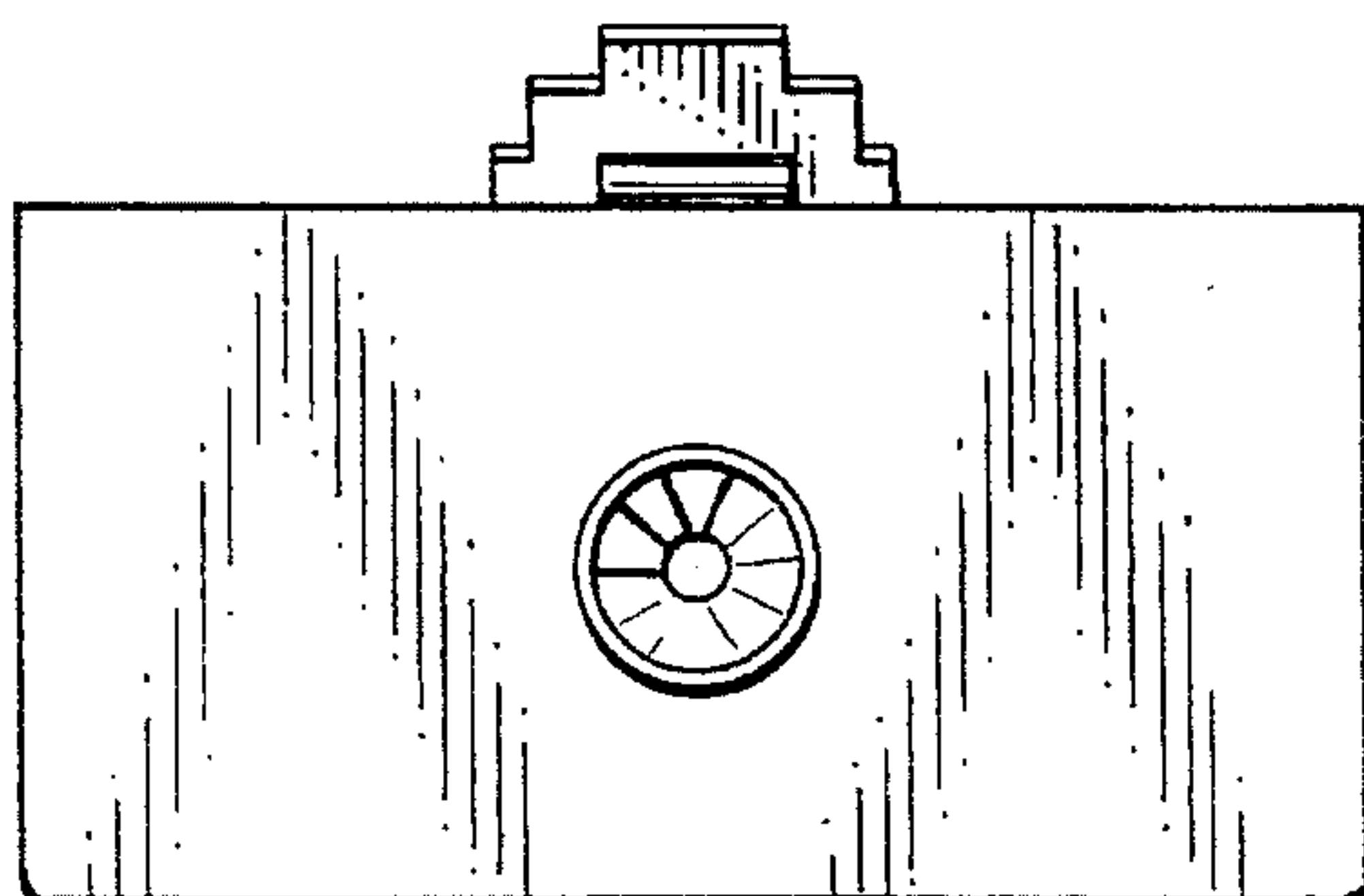


FIG. 3

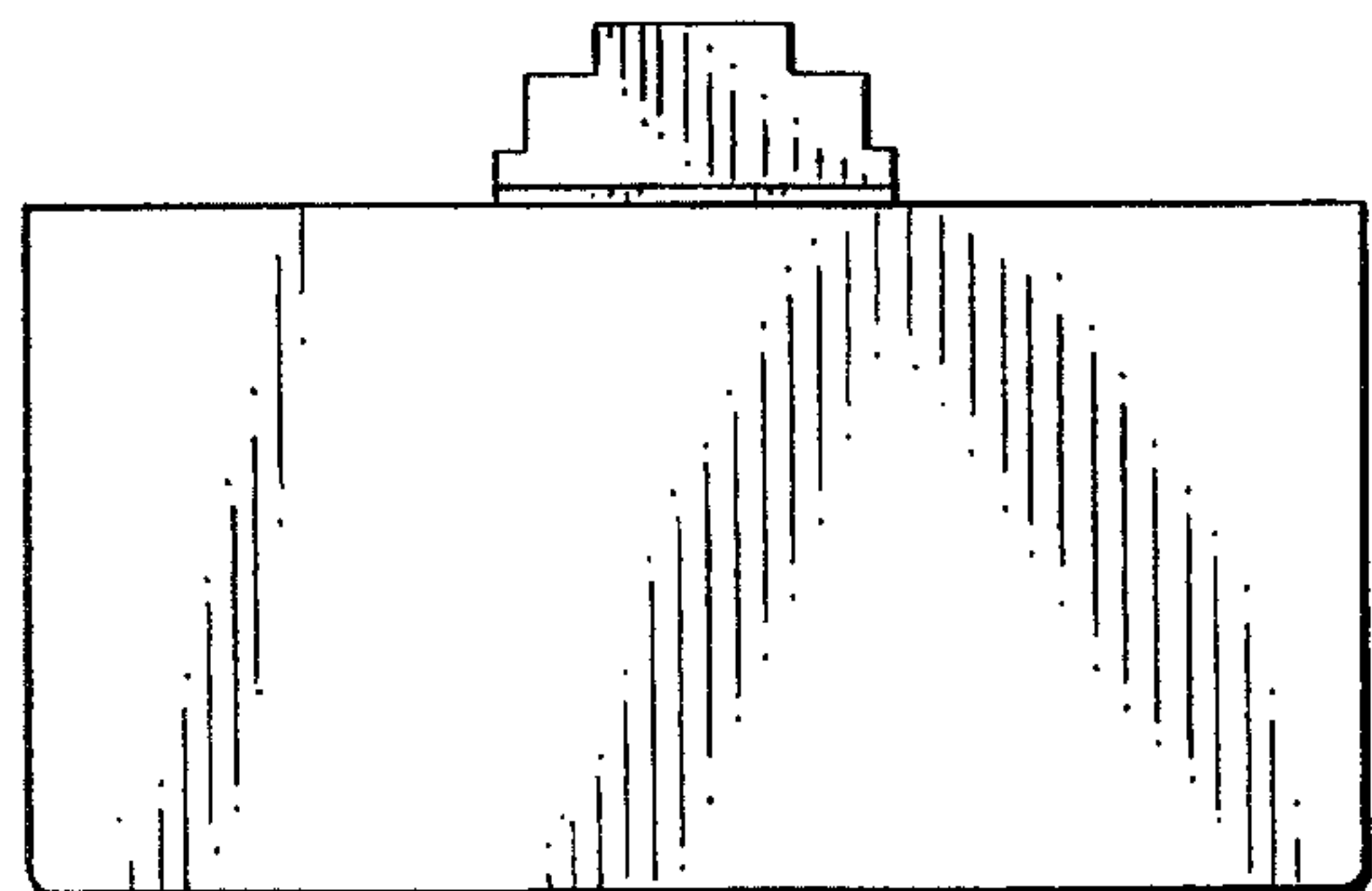


FIG. 4