



US00D367034S

United States Patent [19]

[11] Patent Number: **Des. 367,034**

Berman

[45] Date of Patent: ****Feb. 13, 1996**

[54] **BICYCLE BAG**

4,066,196	1/1978	Jackson et al.	224/30 A
5,071,046	12/1991	Miller	224/31
5,249,721	10/1993	Brooks	224/35

[75] Inventor: **John A. Berman**, San Anselmo, Calif.

[73] Assignee: **Dynacraft Industries Inc.**, Ashland, Mass.

[**] Term: **14 Years**

[21] Appl. No.: **30,265**

[22] Filed: **Oct. 25, 1994**

[52] U.S. Cl. **D12/409; D3/231**

[58] Field of Search **D12/409, 410; D3/231; 224/30 A, 30 R, 31, 32 R, 32 A, 35**

OTHER PUBLICATIONS

Colorado Cyclist, Spring 1994, p. 21, The Kirtland Padpak and Cannondale Portage Pouch.

Primary Examiner—A. Hugo Word

Assistant Examiner—M. Brown

Attorney, Agent, or Firm—Laff, Whitesel, Conte & Saret, Ltd.

[57] CLAIM

The ornamental design for a bicycle bag, as shown.

DESCRIPTION

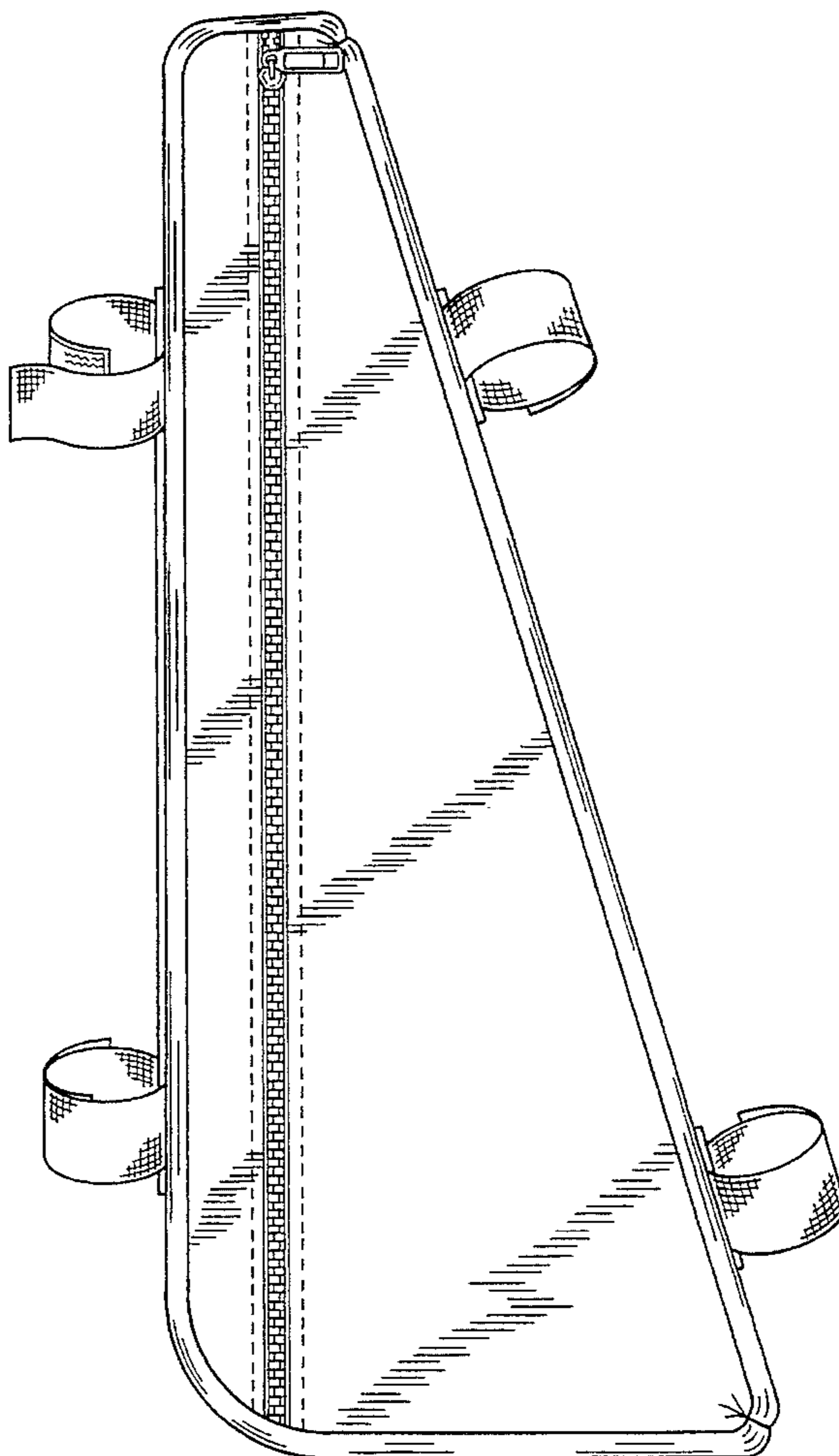
FIG. 1 is a right side elevation view of the invention; FIG. 2 is a top plan view of the invention; FIG. 3 is a bottom plan view of the invention; FIG. 4 is a left side elevational view of the invention; FIG. 5 is a front end view of the invention; and, FIG. 6 is a rear end view of the invention.

1 Claim, 3 Drawing Sheets

[56] References Cited

U.S. PATENT DOCUMENTS

D. 234,688	4/1975	Westermann	D12/409
D. 331,557	12/1992	Hurt	D12/409
D. 336,705	6/1993	Graf	D12/409
D. 339,095	9/1993	Anderson	D12/409
346,489	5/1894	Bean et al.	D7/709
3,955,728	5/1976	Jackson et al.	224/31



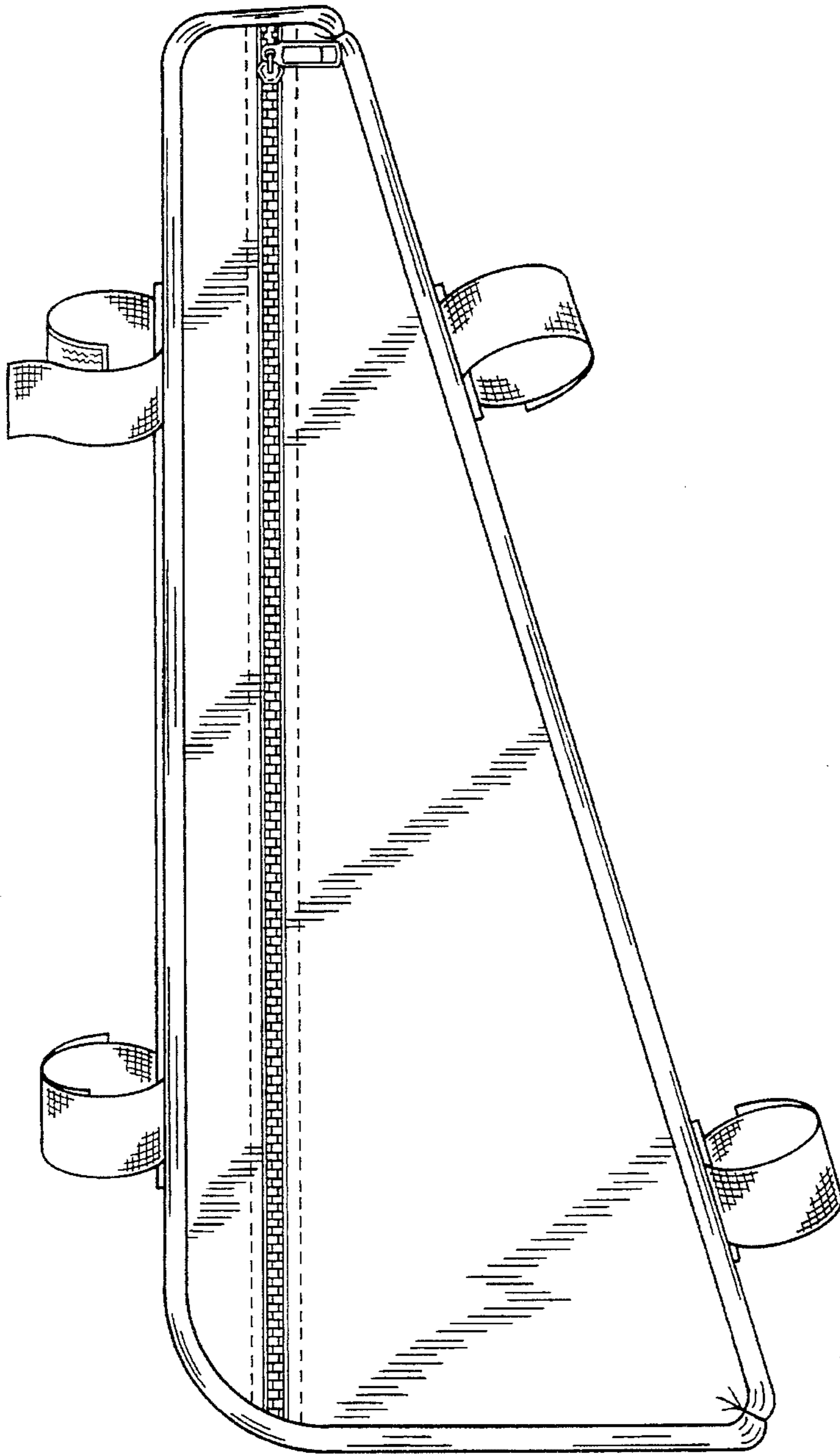


FIG. 1

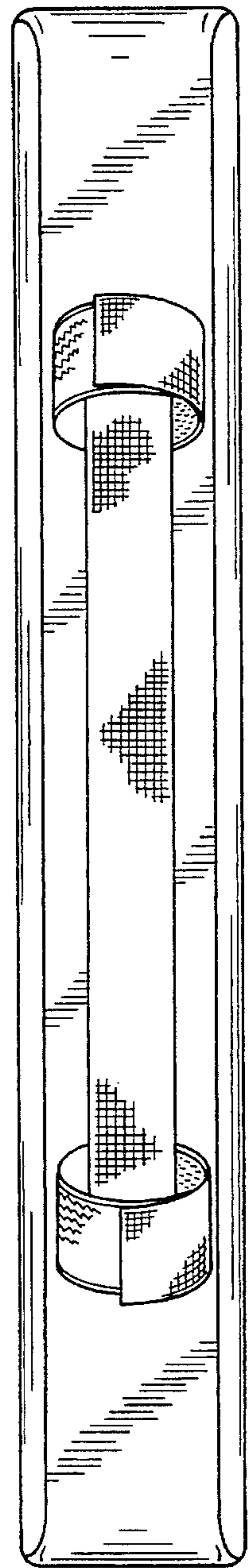


FIG. 2

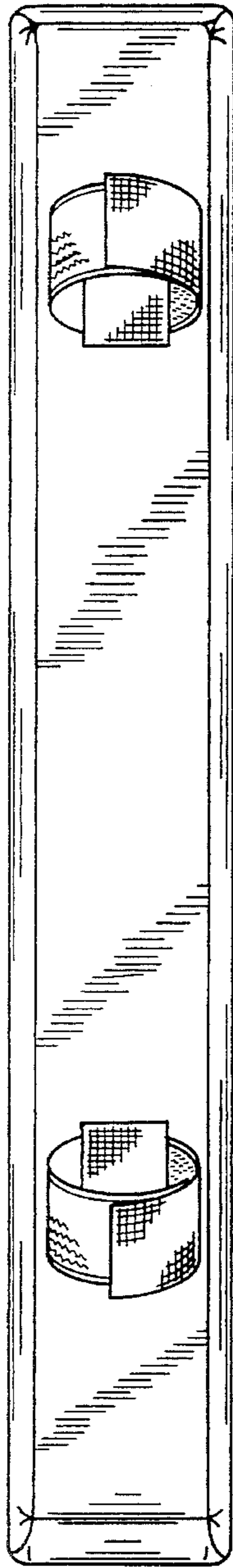


FIG. 3

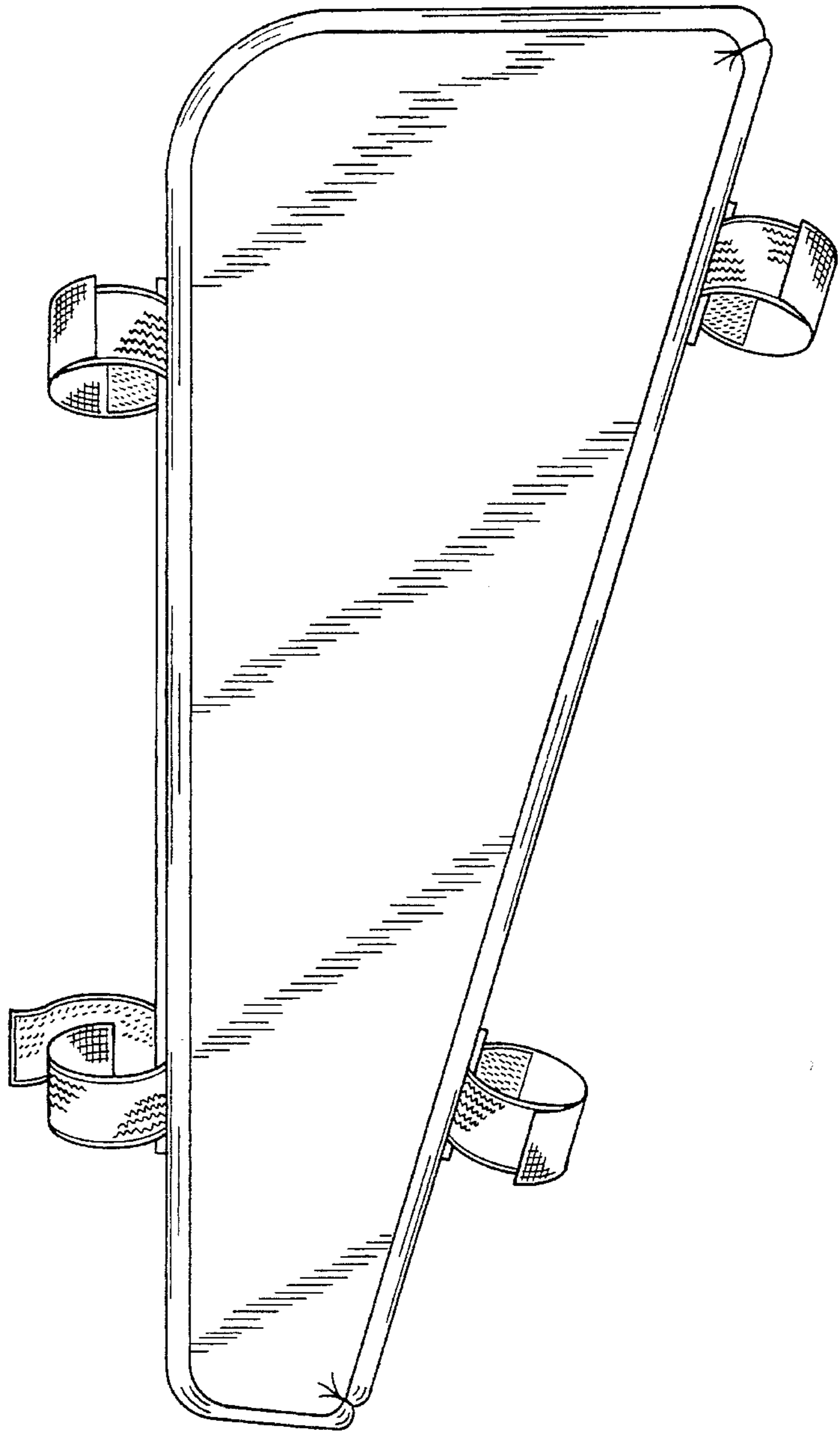


FIG. 4

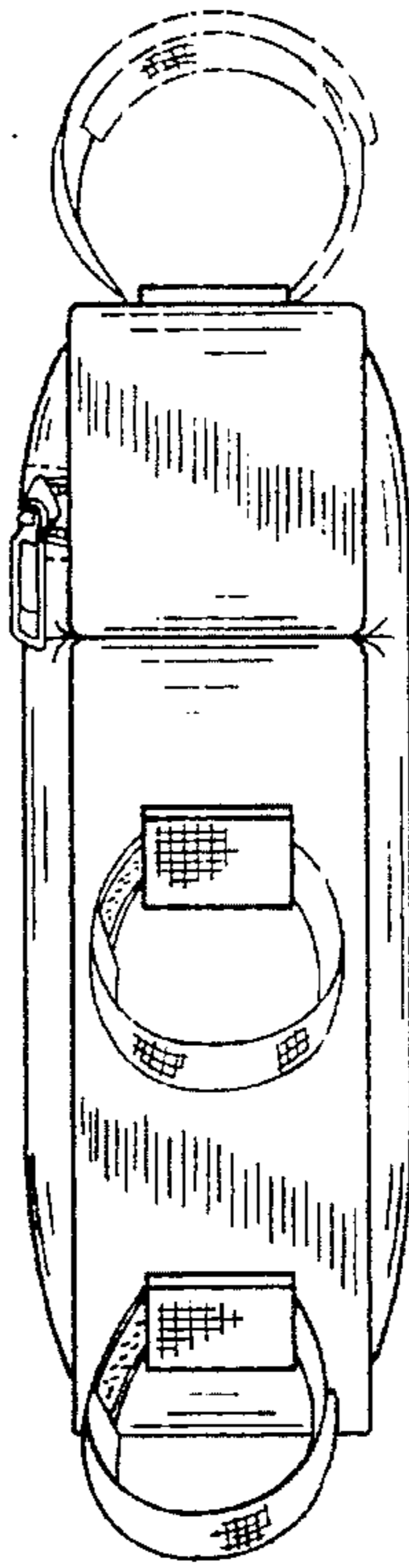


FIG. 5

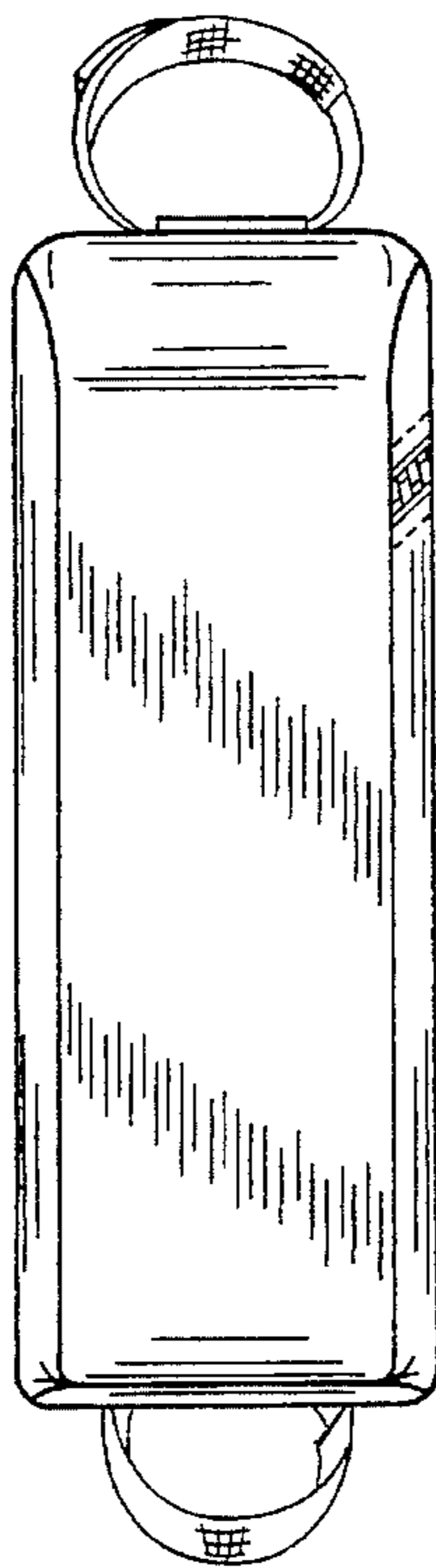


FIG. 6