



US00D367032S

# United States Patent [19]

[11] **Patent Number: Des. 367,032**

**Fentress et al.**

[45] **Date of Patent: \*\*Feb. 13, 1996**

## [54] ADJUSTABLE SUPPORTING SURFACE

## OTHER PUBLICATIONS

[75] Inventors: **Delmar G. Fentress**, Largo; **Allen C. McManaway**, North Redington Beach, both of Fla.

Overtons 1992, p. 72, pedestal #26459 at lower center. Mirrochrome, #22 at top left.

[73] Assignee: **Fentress Marine**, Largo, Fla.

*Primary Examiner*—Janice E. Seeger

[\*\*] Term: **14 Years**

## [57] CLAIM

[21] Appl. No.: **32,206**

The ornamental design for an adjustable supporting surface, as shown.

[22] Filed: **Dec. 14, 1994**

## DESCRIPTION

[52] U.S. Cl. .... **D12/317**; D6/496; D6/499

FIG. 1 is a perspective view of an adjustable supporting surface showing our new design; FIG. 2 is a front elevational view; FIG. 3 is a rear elevational view; FIG. 4 is a left side elevational view; FIG. 5 is a right side elevational view; FIG. 6 is a top plan view; and, FIG. 7 is a bottom plan view.

[58] **Field of Search** ..... D6/495-499, 486, D6/429, 480; 248/188.8, 425; 108/150, 153, 156, 161; D12/317

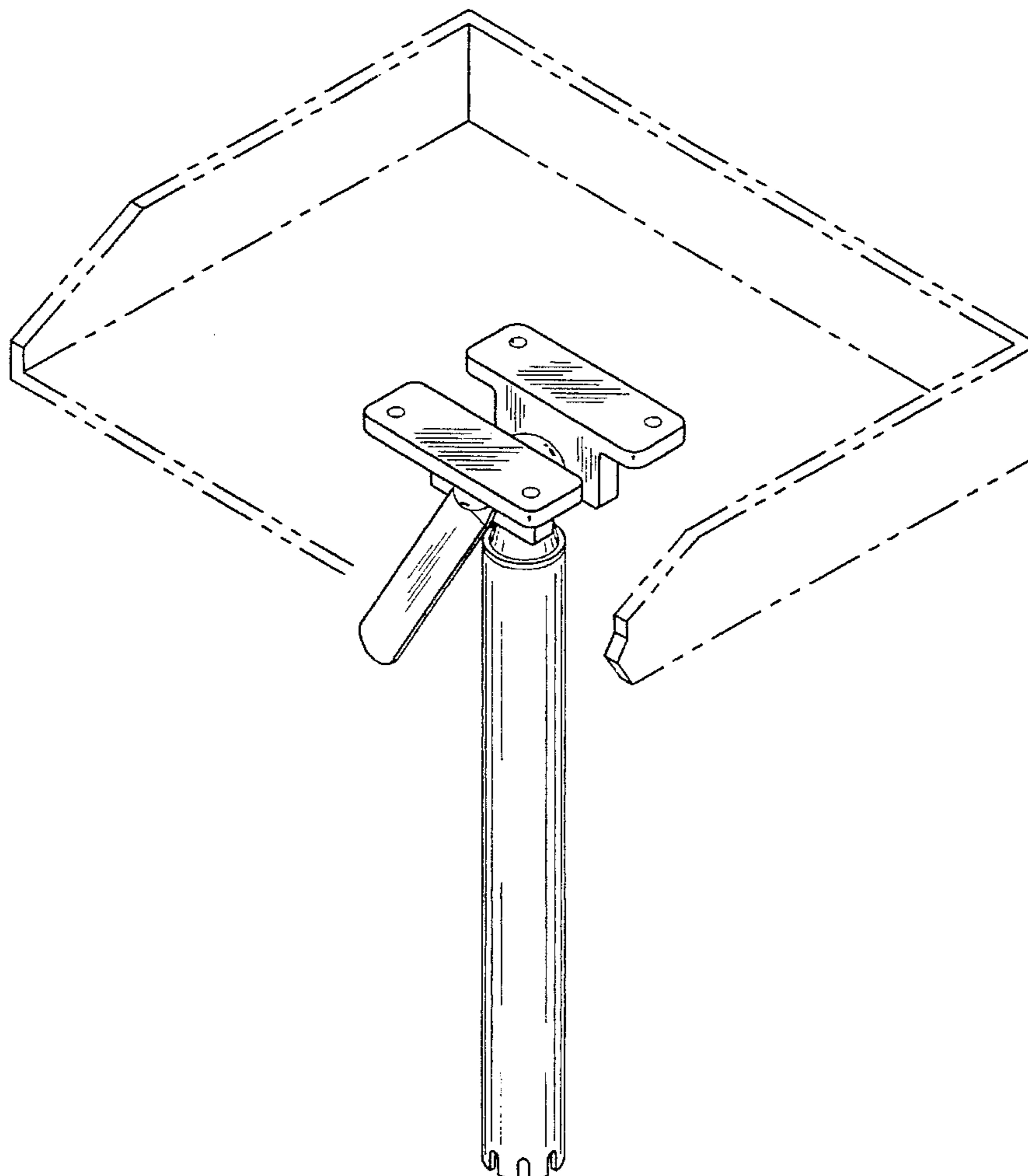
## [56] References Cited

The broken lines are for environmental purposes only and form no part of the claimed design.

### U.S. PATENT DOCUMENTS

D. 213,399	2/1969	Chew .....	D6/496
D. 214,129	5/1969	Della-Porta .....	D6/496
D. 295,004	4/1988	Schulz et al. ....	D6/495
4,803,945	2/1989	Adams et al. ....	D12/317 X
5,249,768	10/1993	Edwards et al. ....	108/150

**1 Claim, 4 Drawing Sheets**



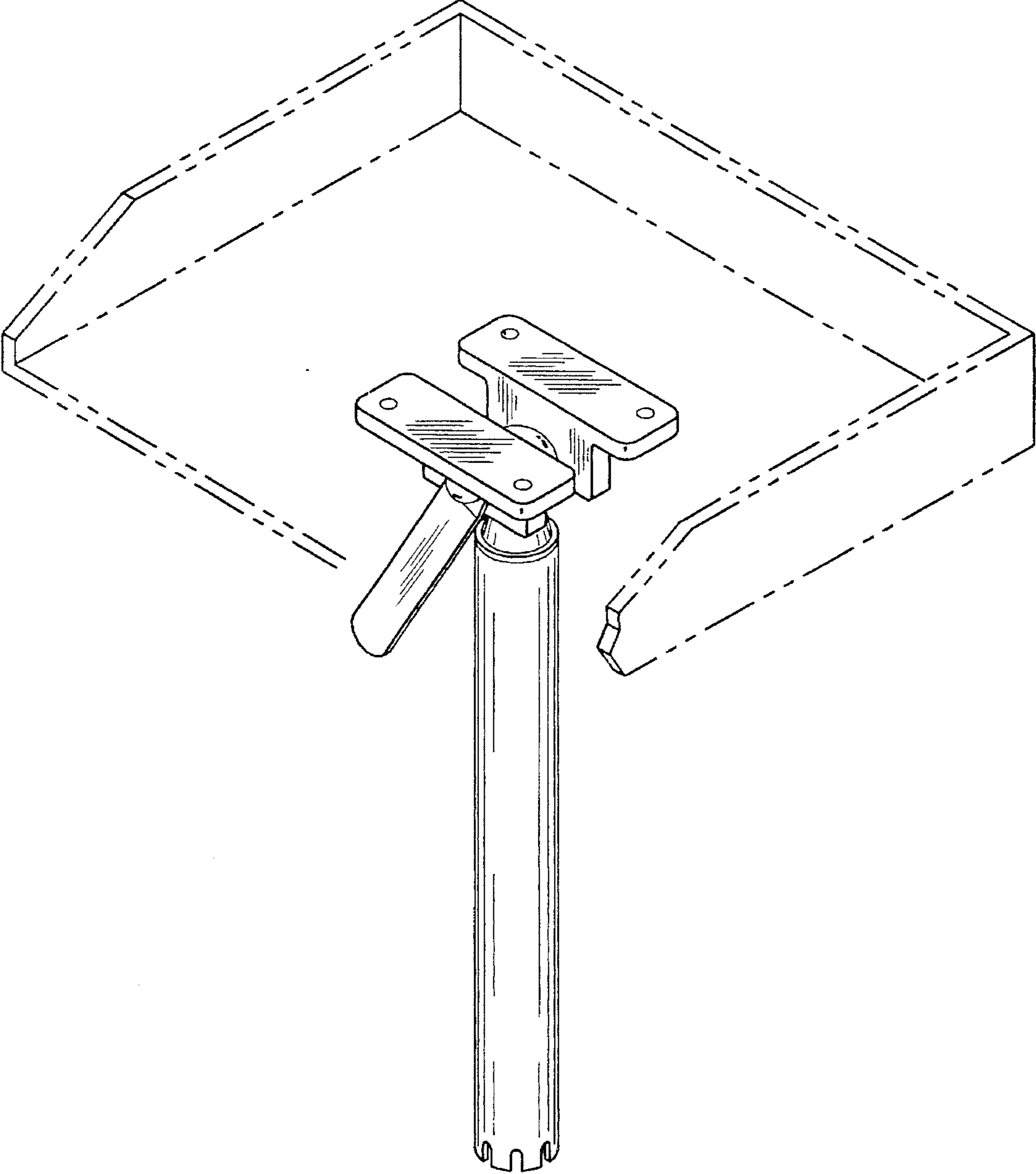


Fig. 1

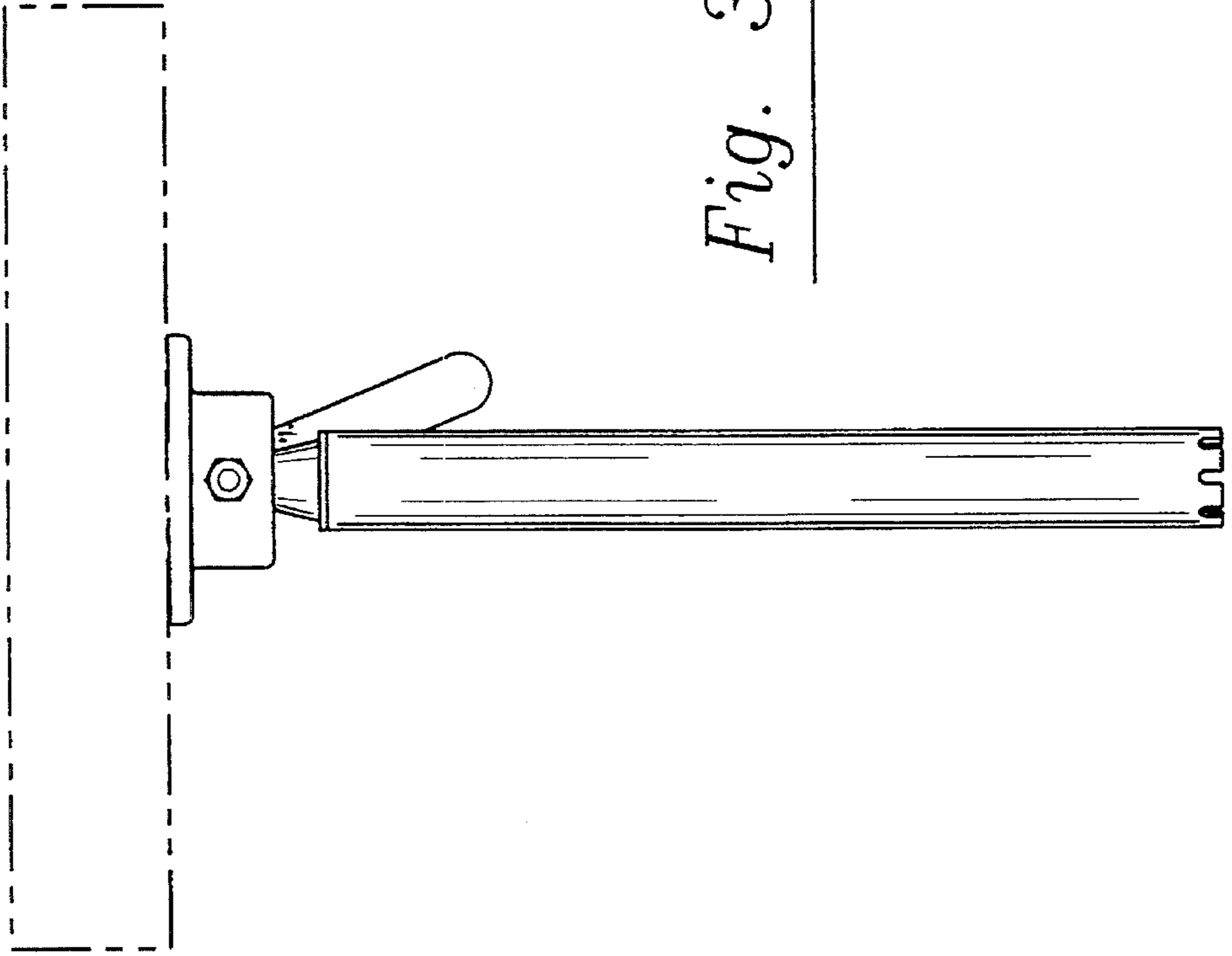


Fig. 3

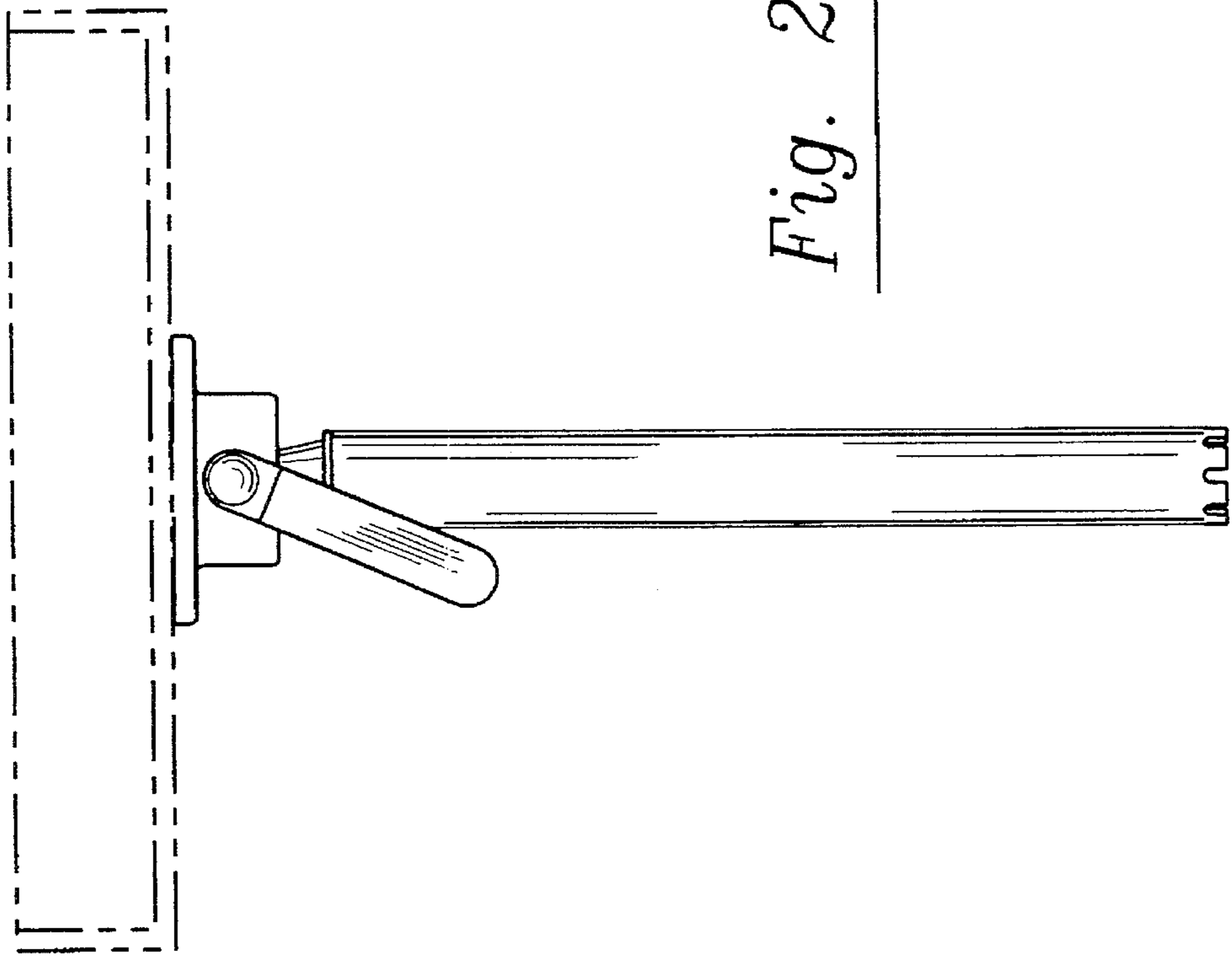
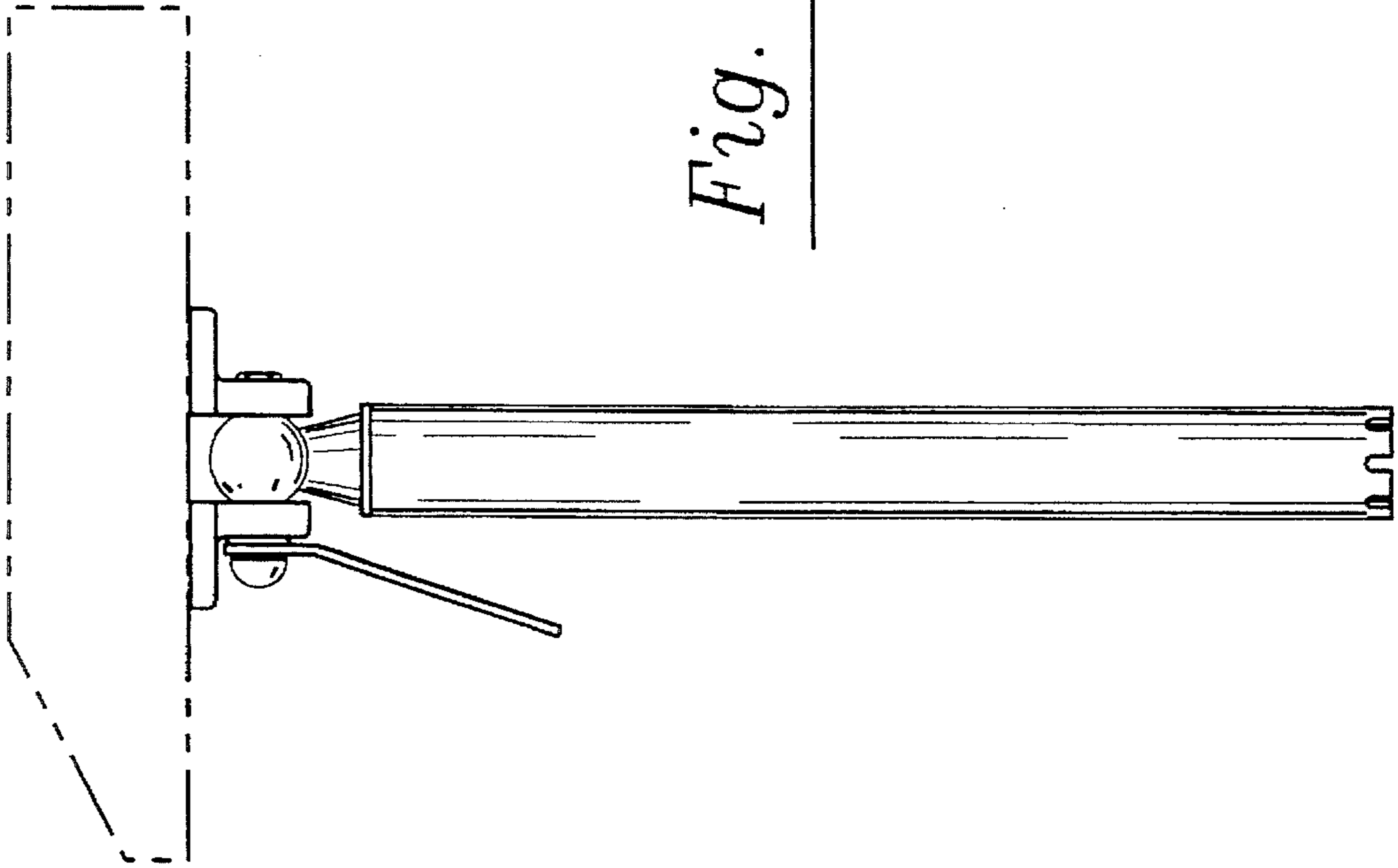
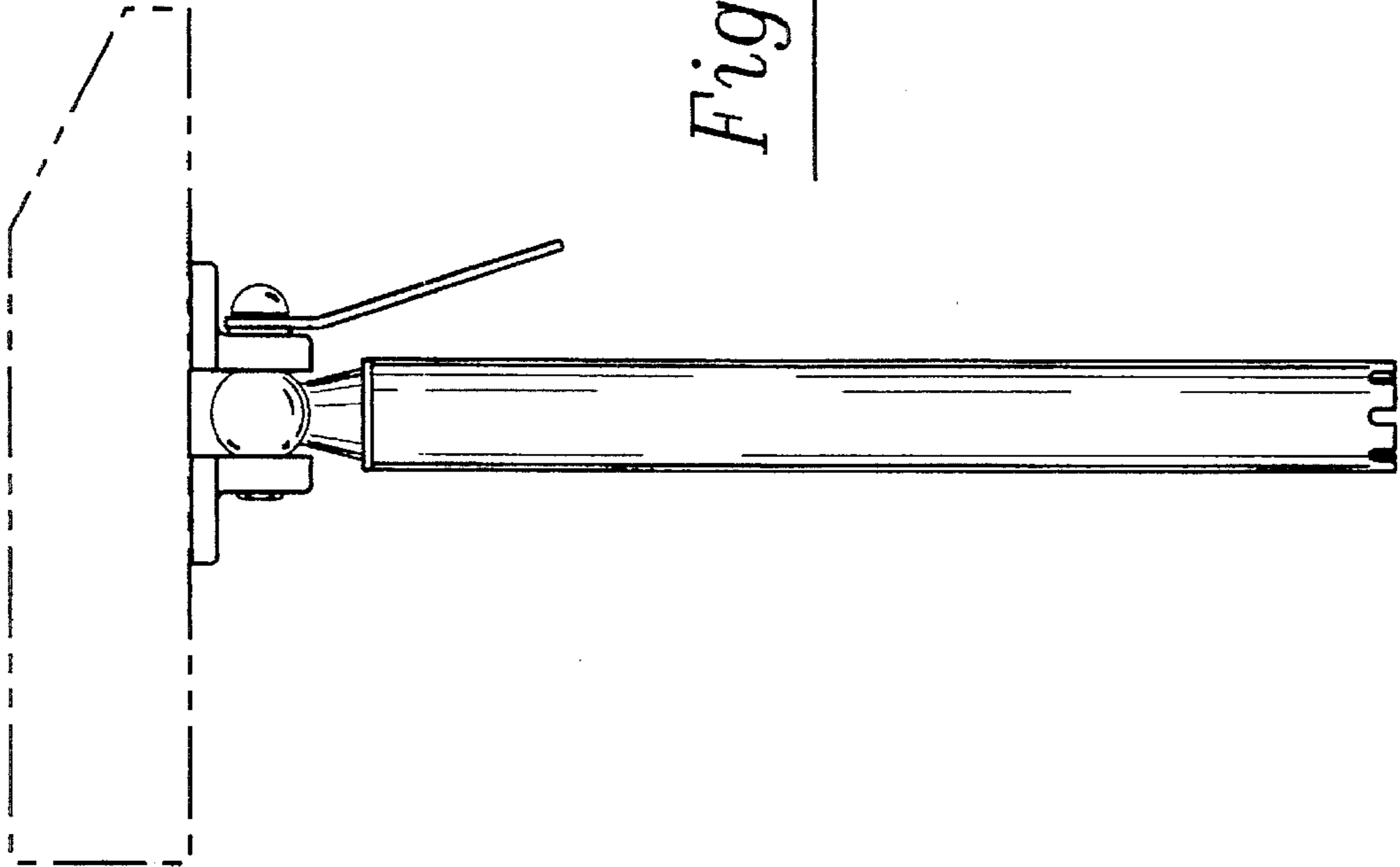


Fig. 2



*Fig. 5*



*Fig. 4*

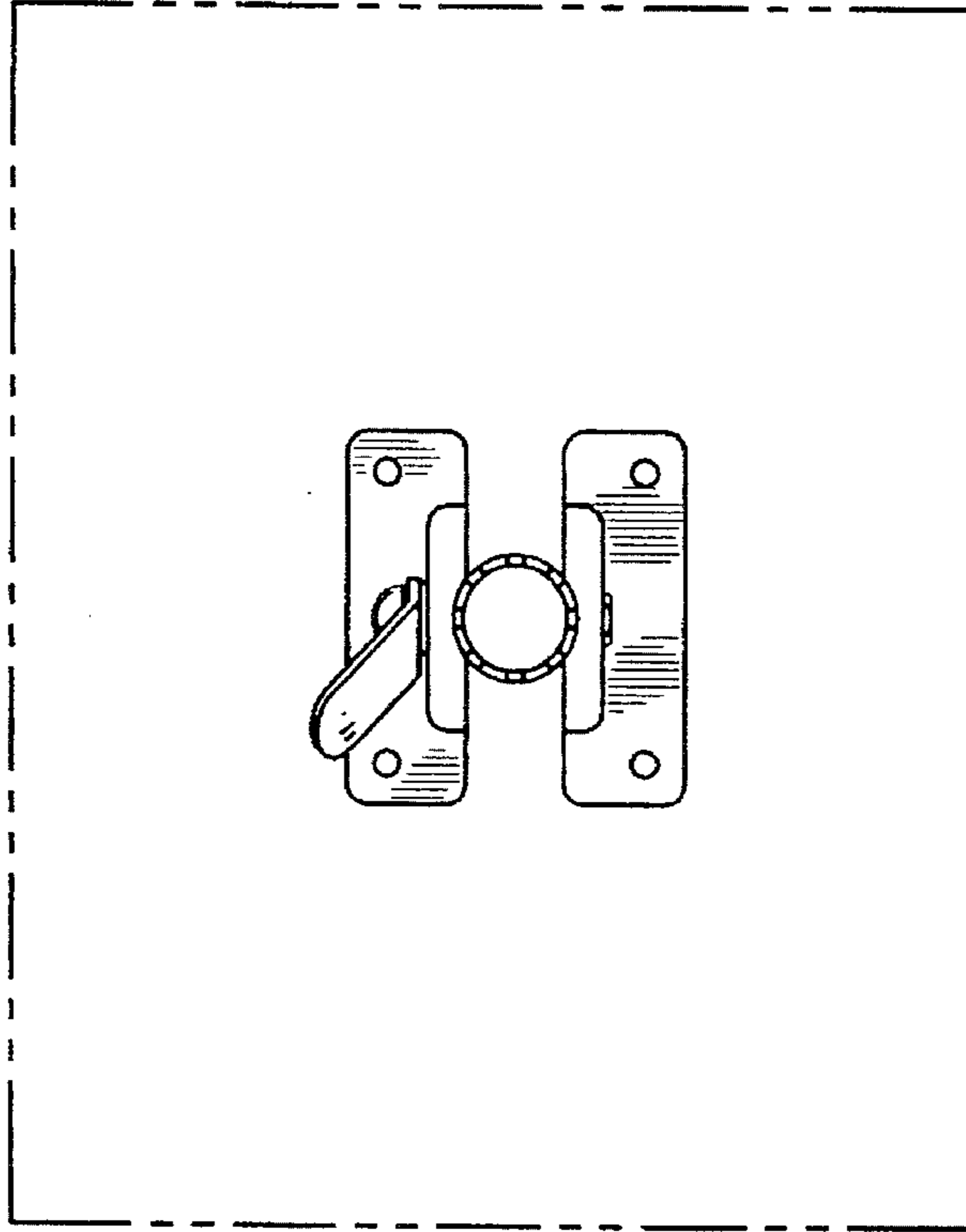


Fig. 7

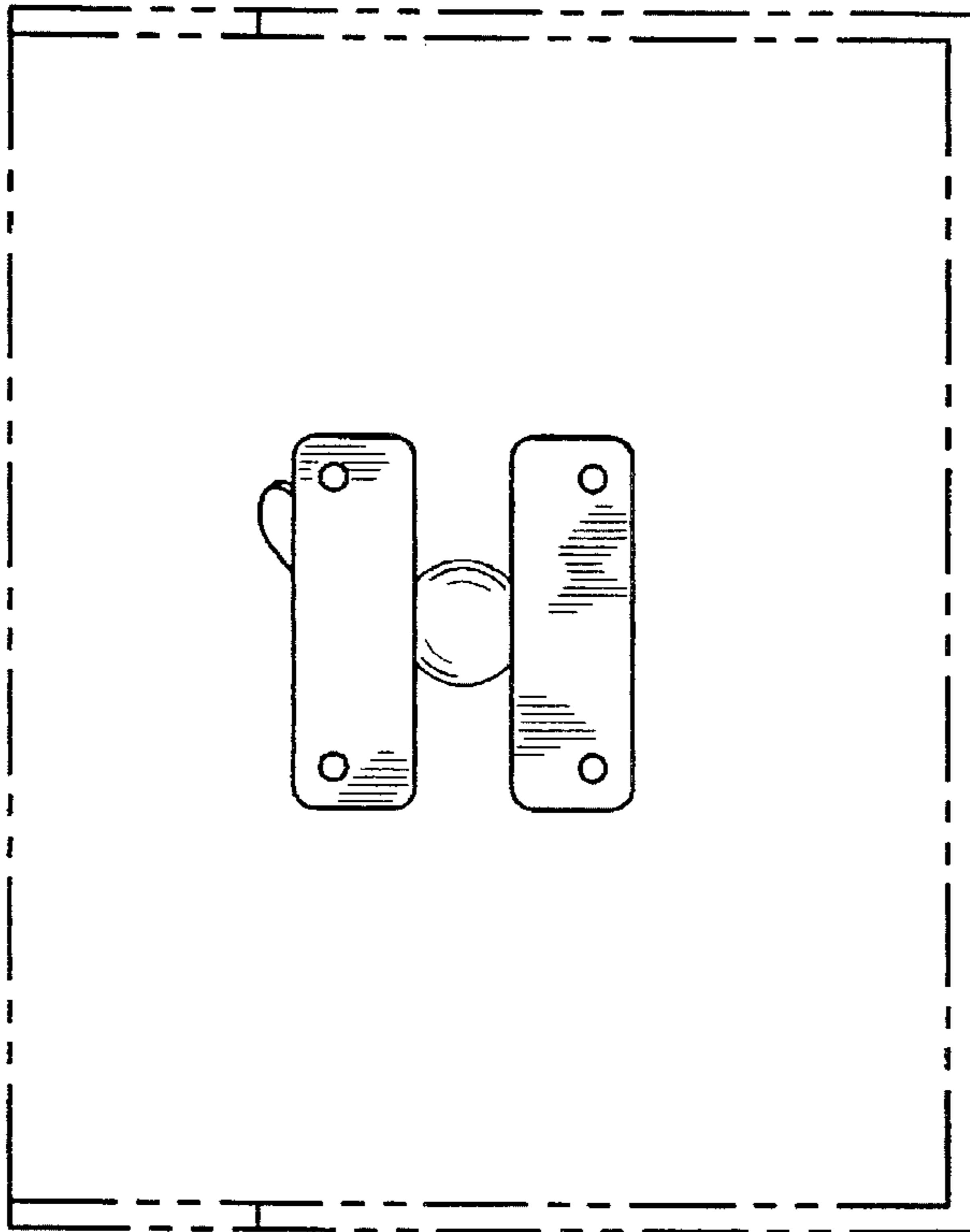


Fig. 6