



US00D367029S

United States Patent [19]
Spaulding

[11] **Patent Number: Des. 367,029**

[45] **Date of Patent: **Feb. 13, 1996**

[54] **SUNVISOR EXTENDER WITH MULTIPLE SHADES**

[76] Inventor: **Patsy K. Spaulding**, R.R. Box 1284, Hop Bottom, Pa. 18824

[**] Term: **14 Years**

[21] Appl. No.: **33,139**

[22] Filed: **Jan. 5, 1995**

[52] U.S. Cl. **D12/191**

[58] Field of Search D12/190, 191, D12/401, 417; 160/370.2 R, 370.2 B, DIG. 3; 248/481, 484; 296/97.1, 97.2, 97.4, 97.5, 97.6, 97.8, 97.11

[56] **References Cited**

U.S. PATENT DOCUMENTS

D. 314,937	2/1991	Adam	D12/191
1,849,338	3/1932	Stansberry	D12/191
3,415,569	12/1968	Leevo	296/97.6
3,617,088	11/1971	Graham	296/97 C
3,853,370	12/1974	Barnhart	296/97 C
4,330,148	5/1982	LaMont	296/97 C
4,736,979	4/1988	Harvey	296/97.6
4,923,238	5/1990	Morgulis et al.	296/97.6
4,984,840	1/1991	Lansing	296/97.6
5,104,174	4/1992	Gute	296/97.8 X
5,197,777	3/1993	Jansen et al.	296/97.8
5,259,657	11/1993	Arendt et al.	296/97.6
5,306,065	4/1994	Ades	296/97.6

Primary Examiner—Alan P. Douglas
Assistant Examiner—S. Snapp
Attorney, Agent, or Firm—Kevin A. Sembrat

[57] **CLAIM**

The ornamental design for a sunvisor extender with multiple shades, as shown and described.

DESCRIPTION

FIG. 1 is a front, bottom and right side perspective view of a sunvisor extender with multiple shades in various partially open positions, according to my design;

FIG. 2 is a front side elevational view thereof, with the multiple shades shown in a closed position;

FIG. 3 is a rear elevational view thereof;

FIG. 4 is a front elevational view thereof, with a first shade shown in a full open position;

FIG. 5 is a front elevational view thereof, with the first shade and a second shade shown in a full open position;

FIG. 6 is a front elevational view thereof, with the first shade, the second shade, and a third shade shown in a full open position;

FIG. 7 is a front elevational view thereof, with a left slidable shade shown in a full open position;

FIG. 8 is a front elevational view thereof, with a right slidable shade shown in a full open position;

FIG. 9 is a right side elevational view thereof, with the multiple shades shown in the closed position of FIG. 2;

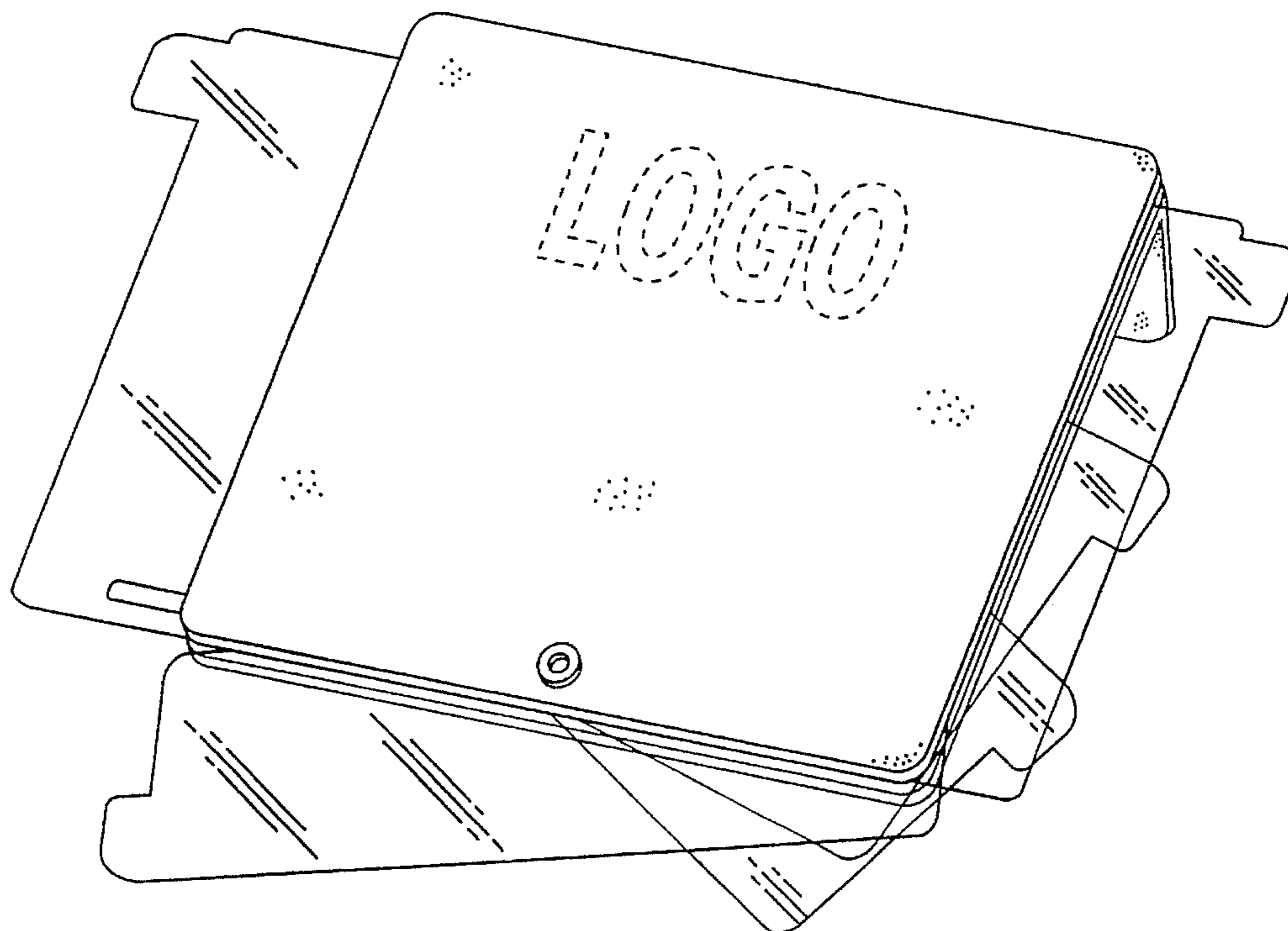
FIG. 10 is a left side elevational view thereof, with the multiple shades shown in the closed position of FIG. 2;

FIG. 11 is a bottom plan view thereof; and,

FIG. 12 is a top plan view thereof.

The broken line showing of a logo in FIGS. 1, 2, & 4-8 is for illustrative purposes only and forms no part of the claimed design.

1 Claim, 6 Drawing Sheets



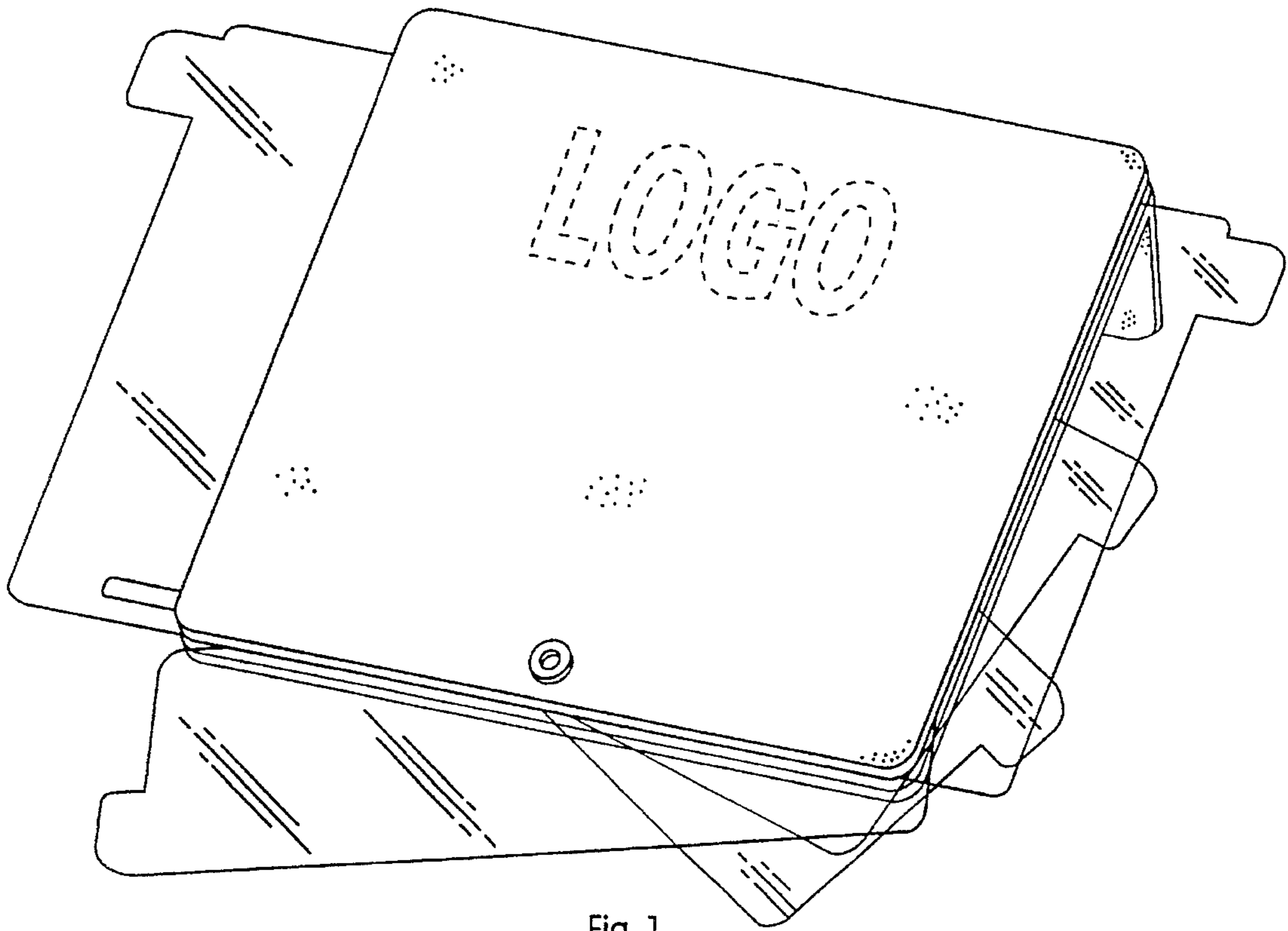


Fig. 1

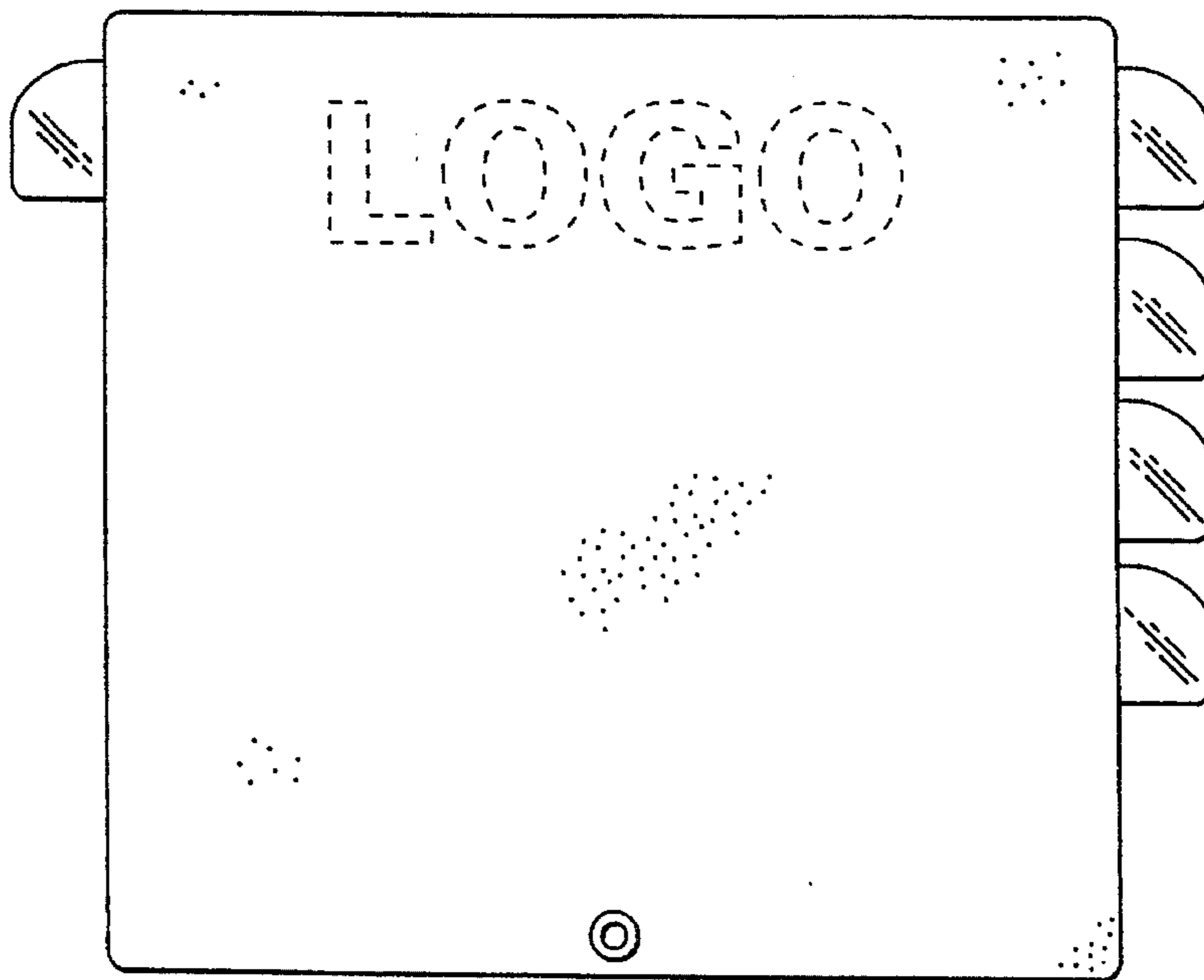


Fig. 2

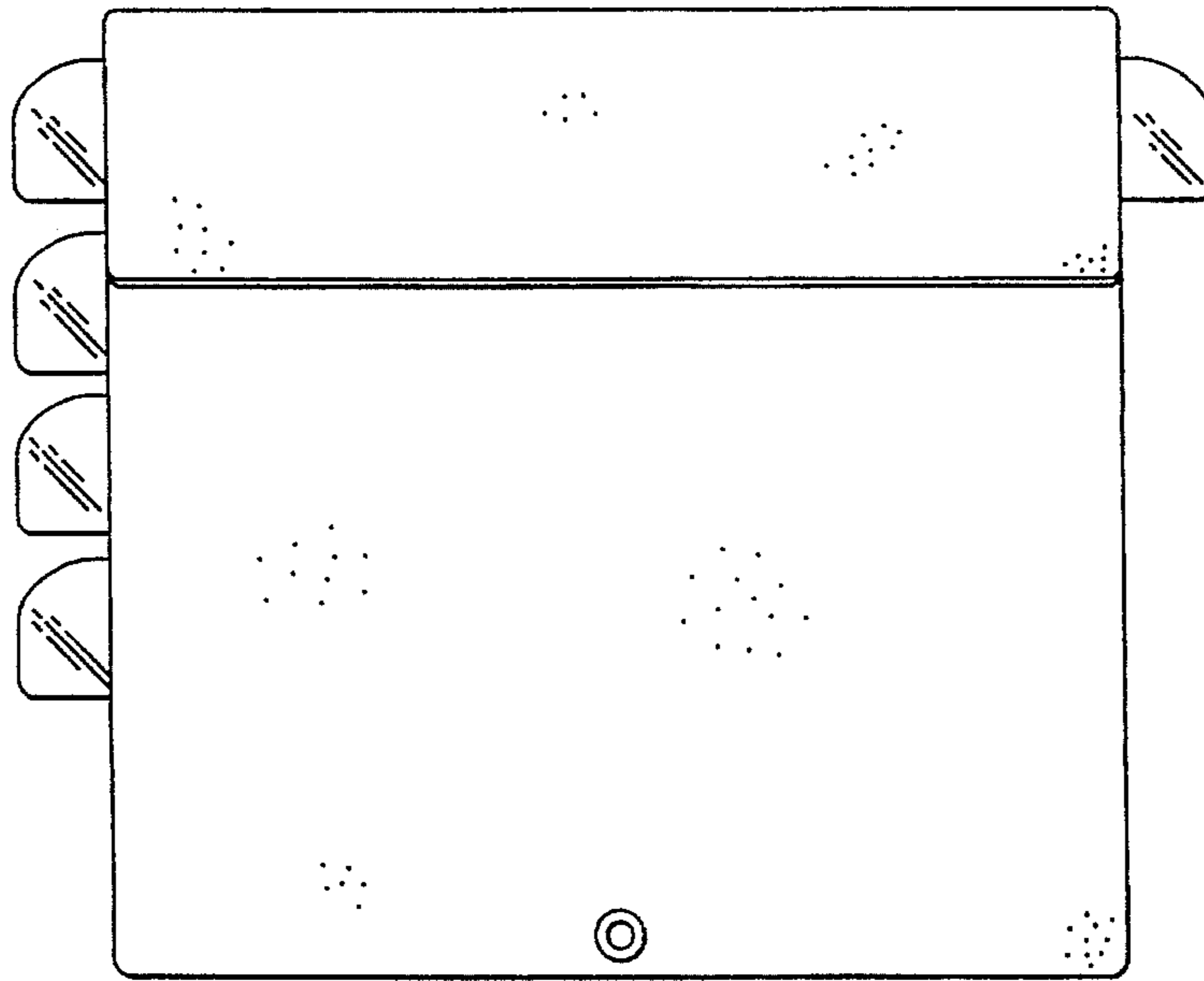


Fig. 3

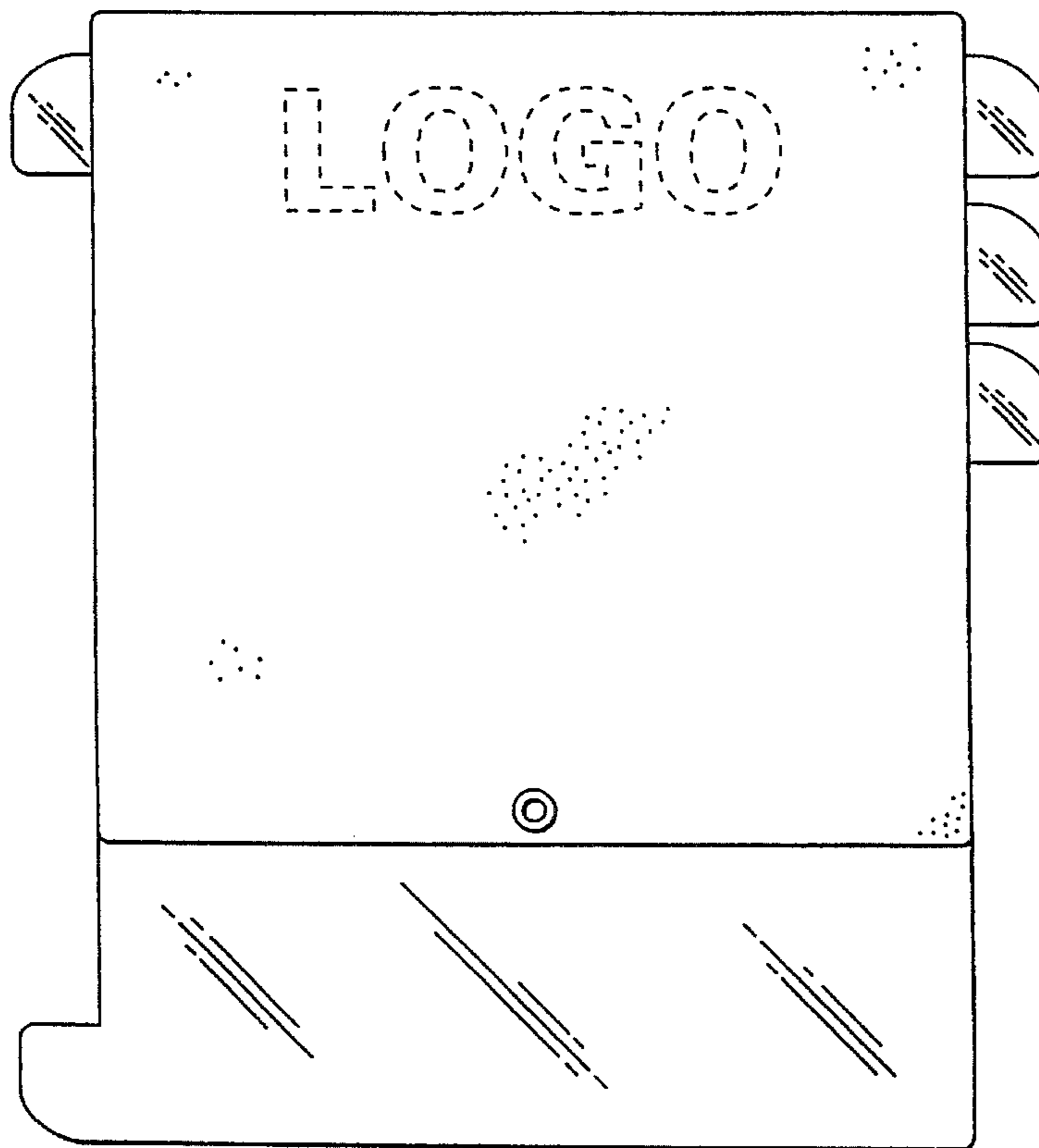


Fig. 4

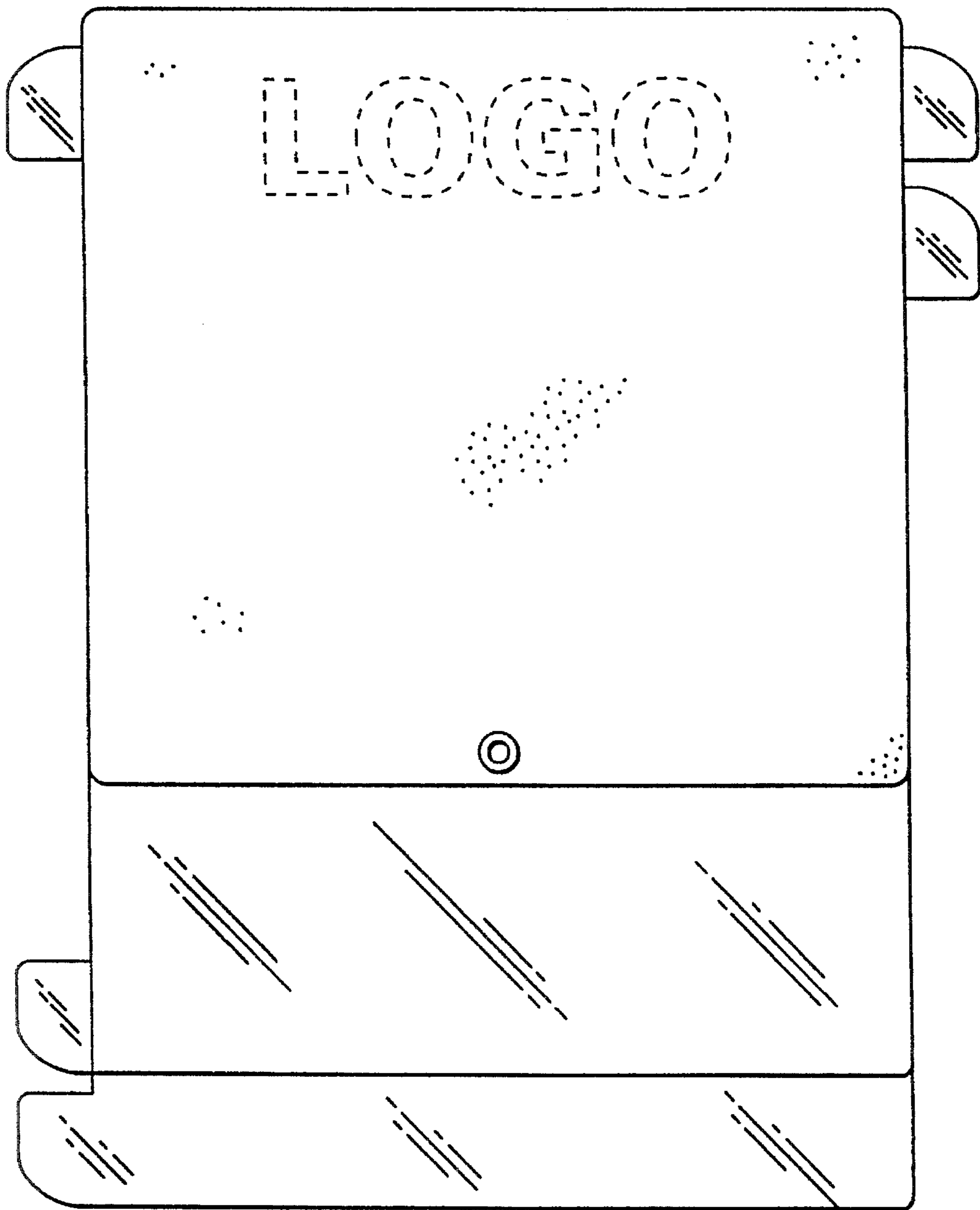


Fig. 5

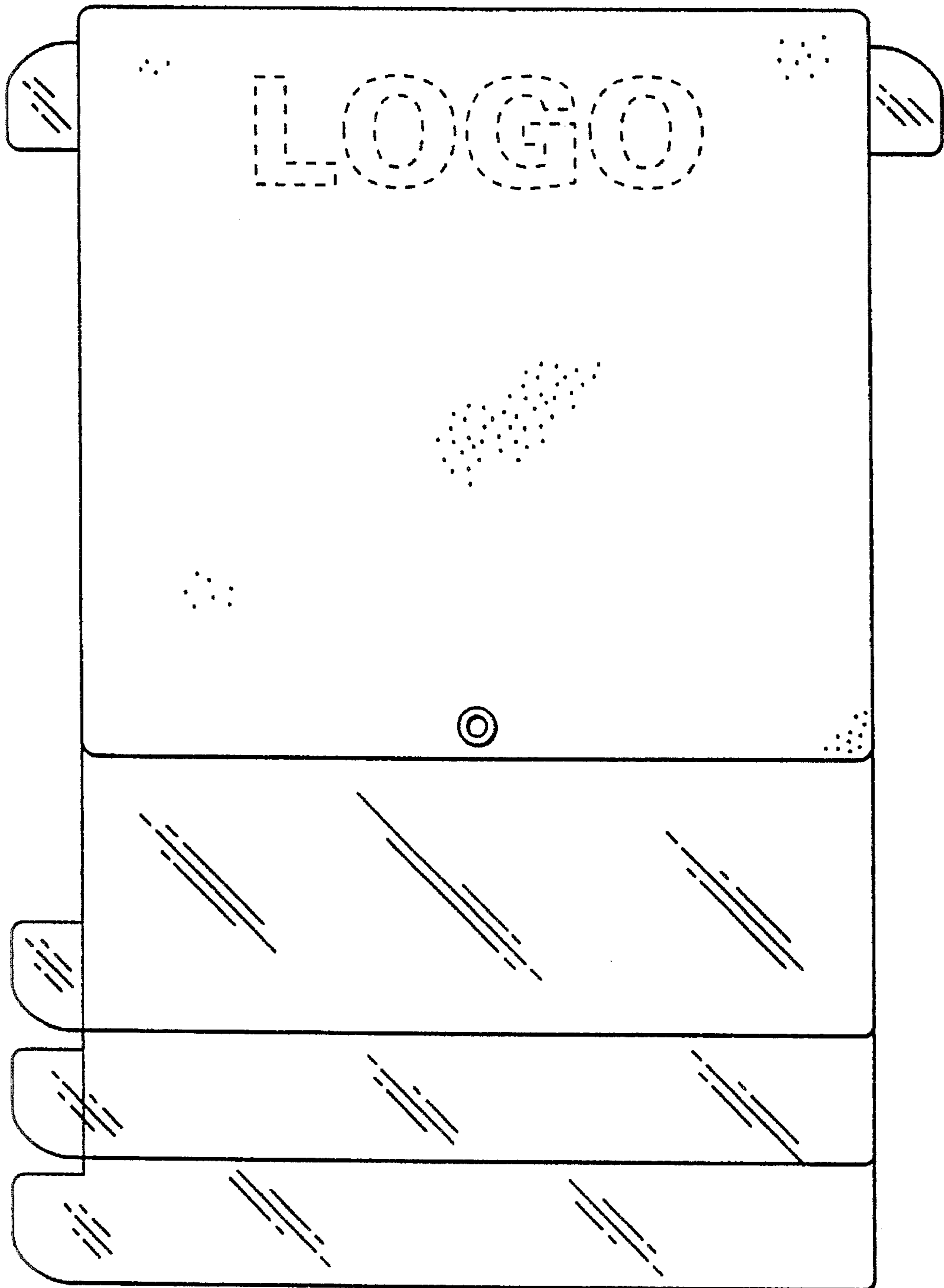


Fig. 6

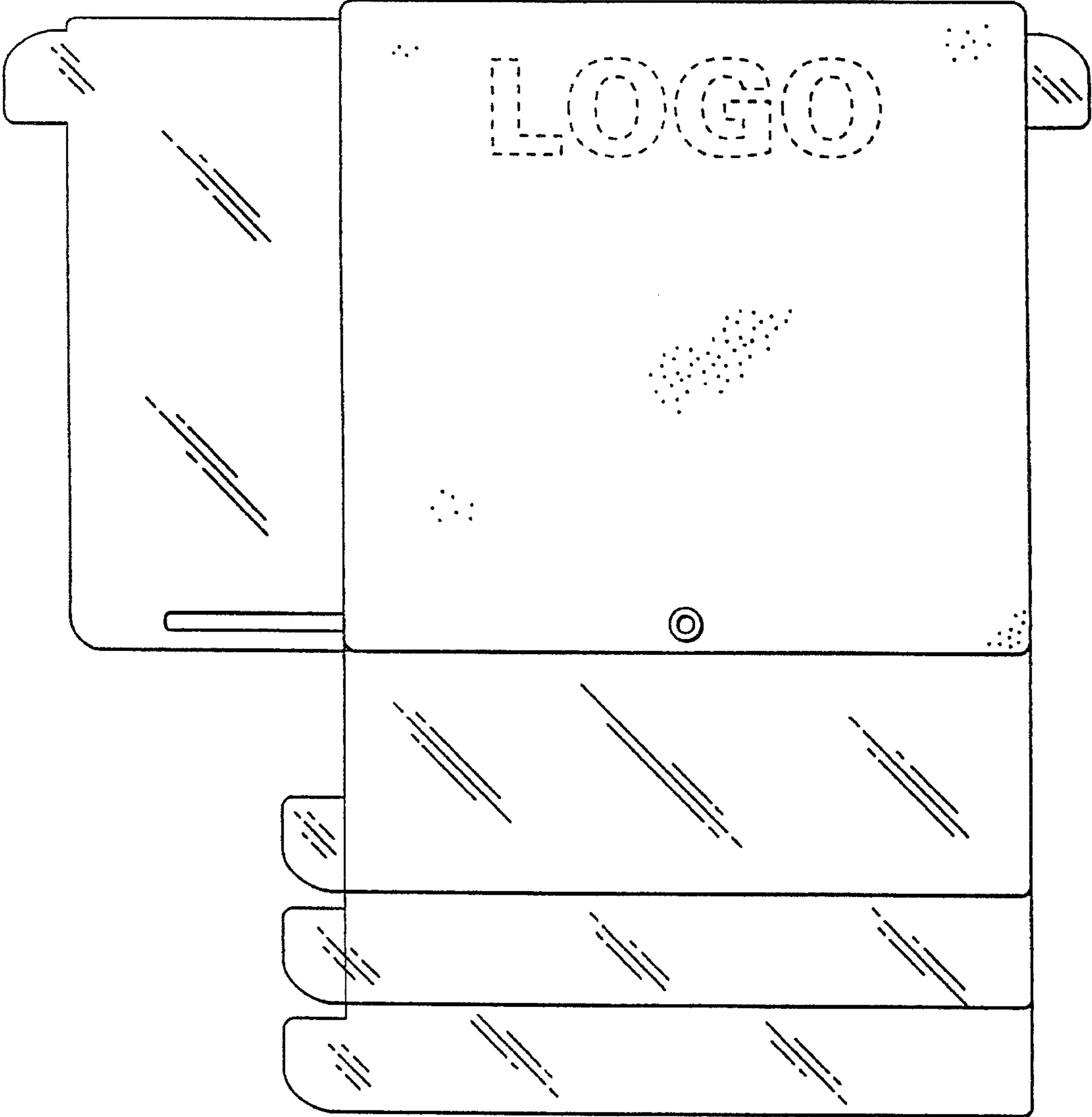


Fig. 7

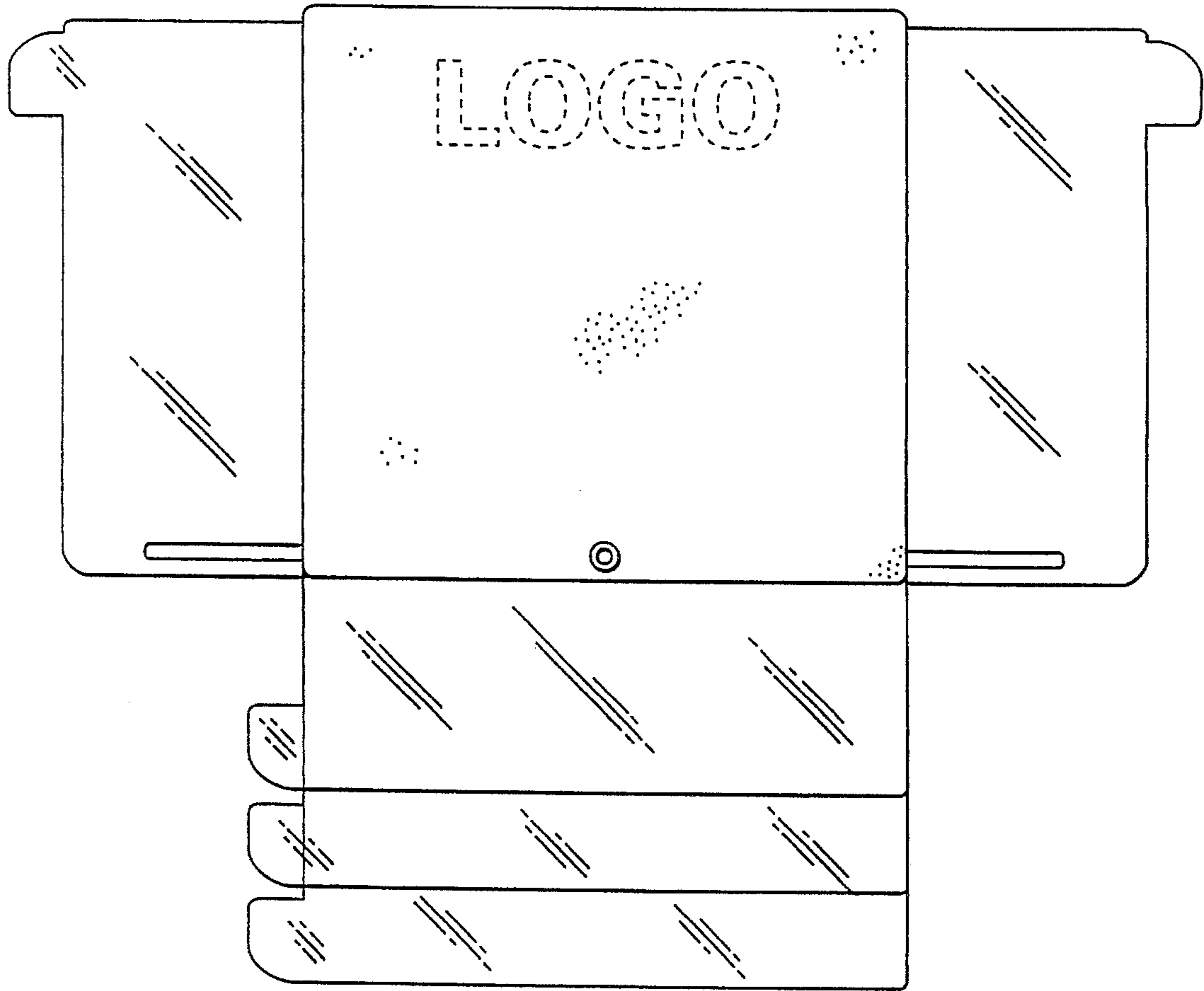


Fig. 8



Fig. 9



Fig. 10

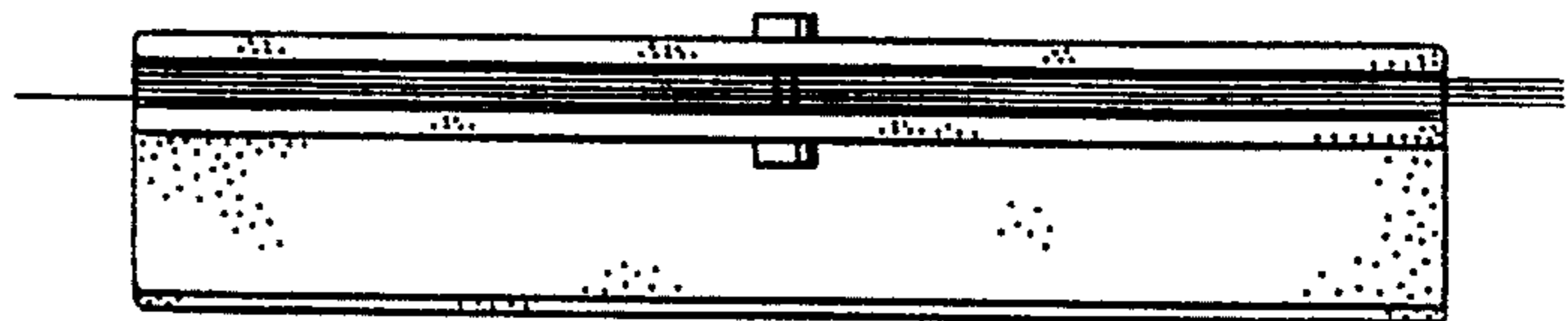


Fig. 11



Fig. 12