



US00D367024S

United States Patent [19]

[11] Patent Number: **Des. 367,024**

Moeller

[45] Date of Patent: ****Feb. 13, 1996**

[54] **WHEEL CHAIR**

4,763,911	8/1988	Gebhard et al.	280/642
5,149,115	9/1992	Sampedro	280/33.998
5,294,141	3/1994	Mentessi et al.	280/650

[75] Inventor: **Flemming Moeller**, Soevind, Denmark

[73] Assignee: **R82 A/S**, Gedved, Denmark

Primary Examiner—Kay H. Chin
Attorney, Agent, or Firm—Watson, Cole, Grindle & Watson

[**] Term: **14 Years**

[57] **CLAIM**

[21] Appl. No.: **36,899**

The ornamental design for a wheel chair, as shown and described.

[22] Filed: **Mar. 30, 1995**

[52] U.S. Cl. **D12/131; D12/129**

DESCRIPTION

[58] **Field of Search** D12/128-133;
D34/12-27; 280/642, 650, 33, 998, 250.1;
297/DIG. 4; 180/6.5, 251, 907

FIG. 1 is a front view of a wheel chair showing my new design;
FIG. 2 is a rear view thereof;
FIG. 3 is a right side view thereof; and,
FIG. 4 is a left side view thereof.

[56] **References Cited**

U.S. PATENT DOCUMENTS

4,643,446 2/1987 Murphy et al. 297/DIG. 4

1 Claim, 2 Drawing Sheets

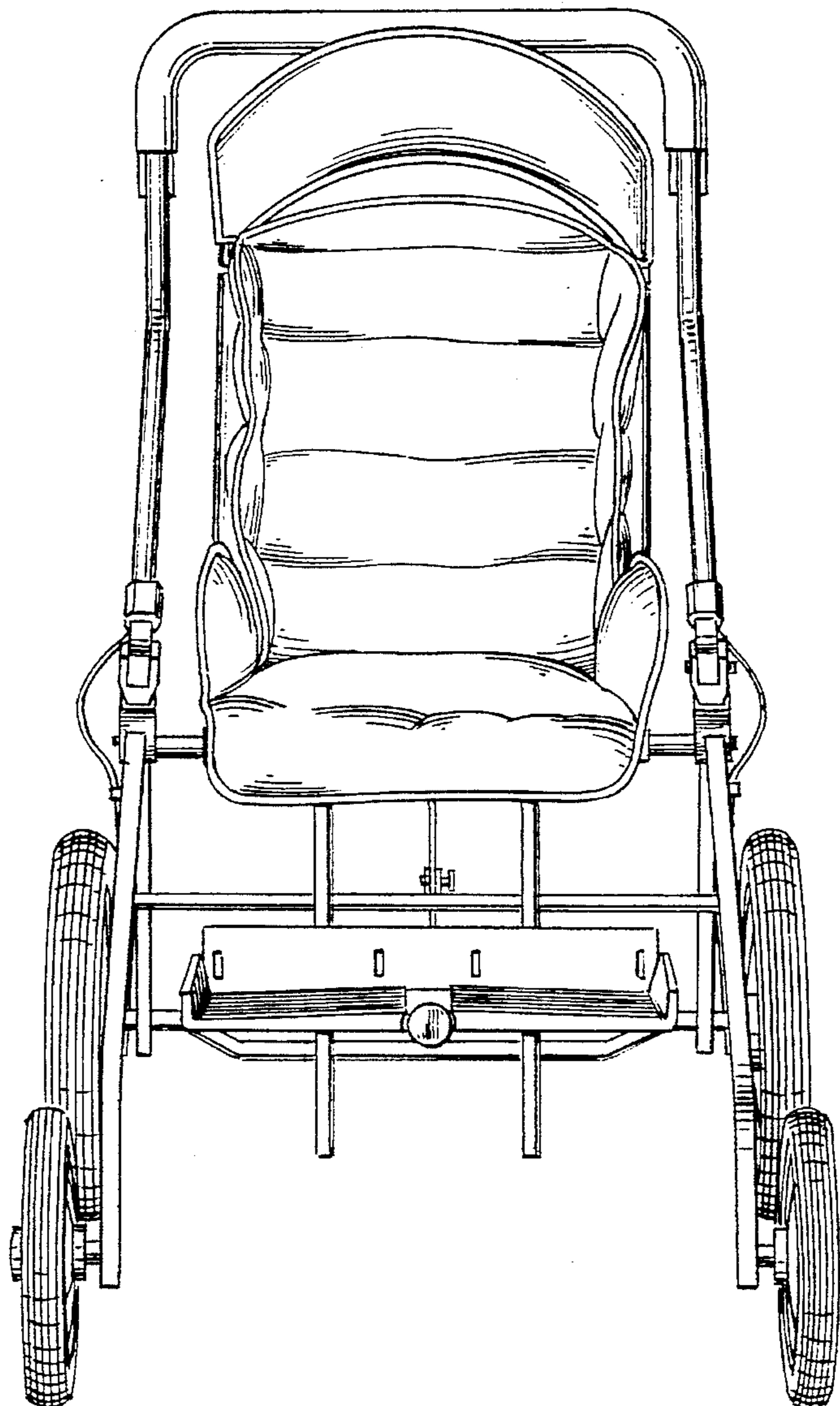


FIG. 1

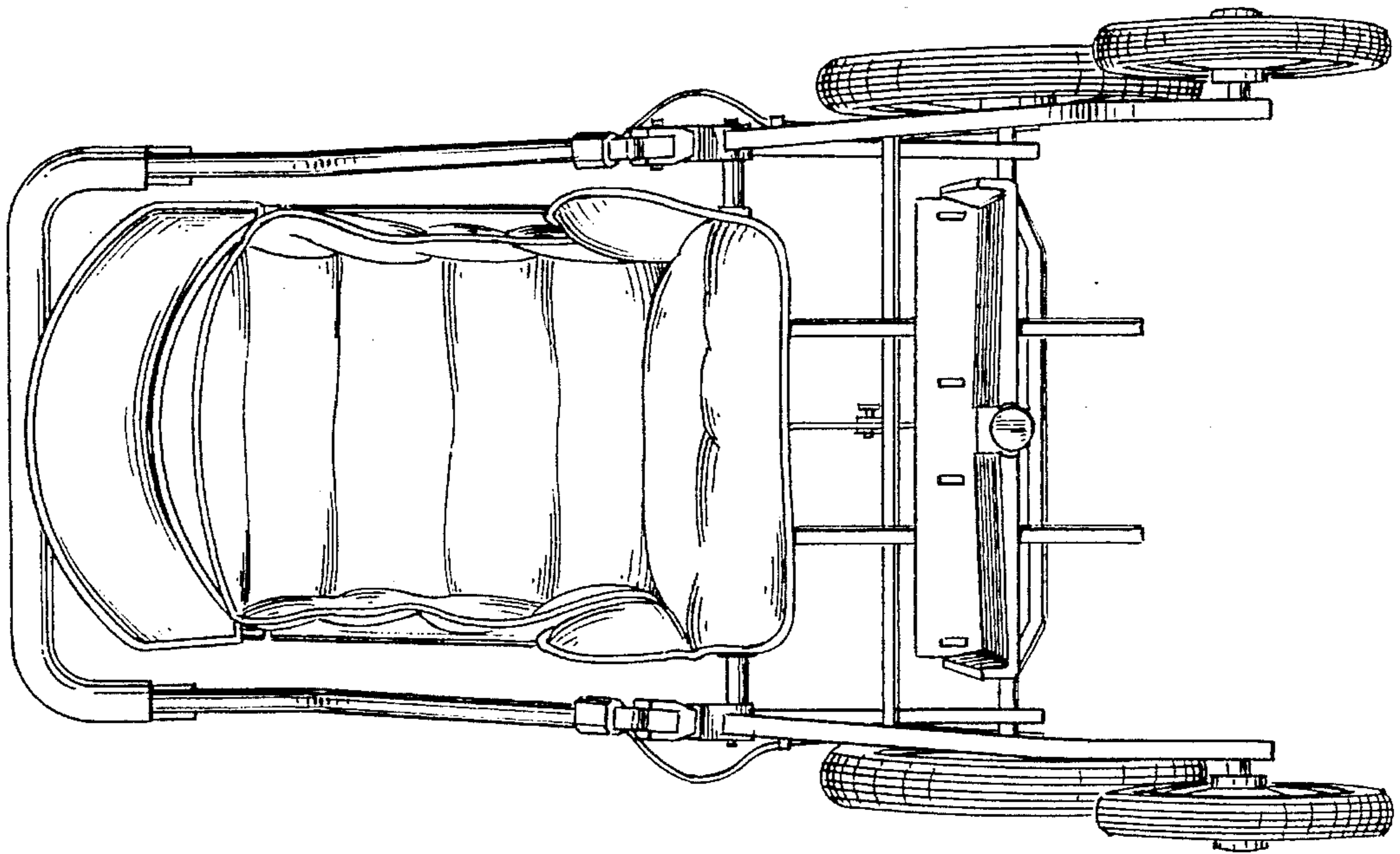


FIG. 4

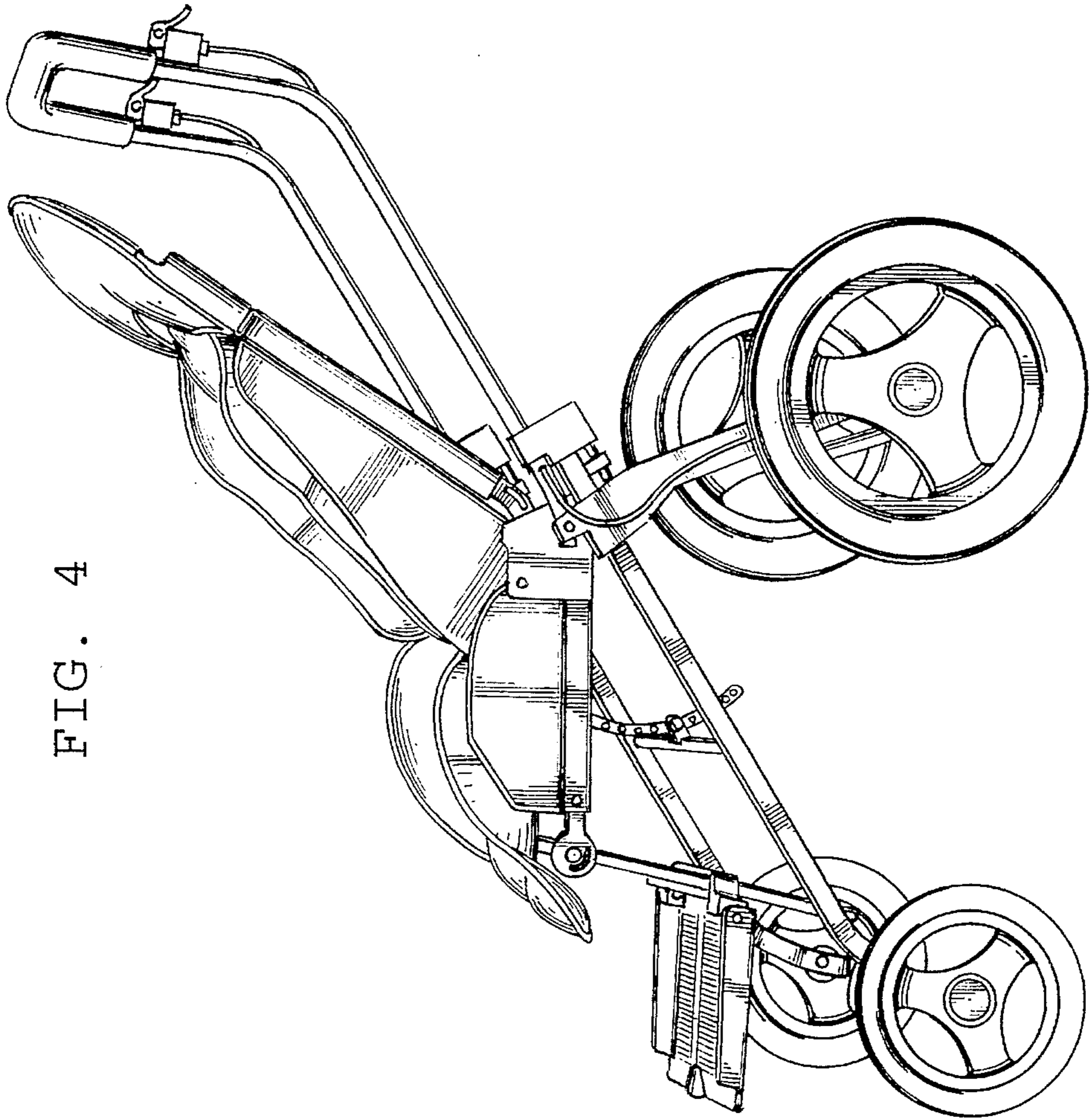


FIG. 3

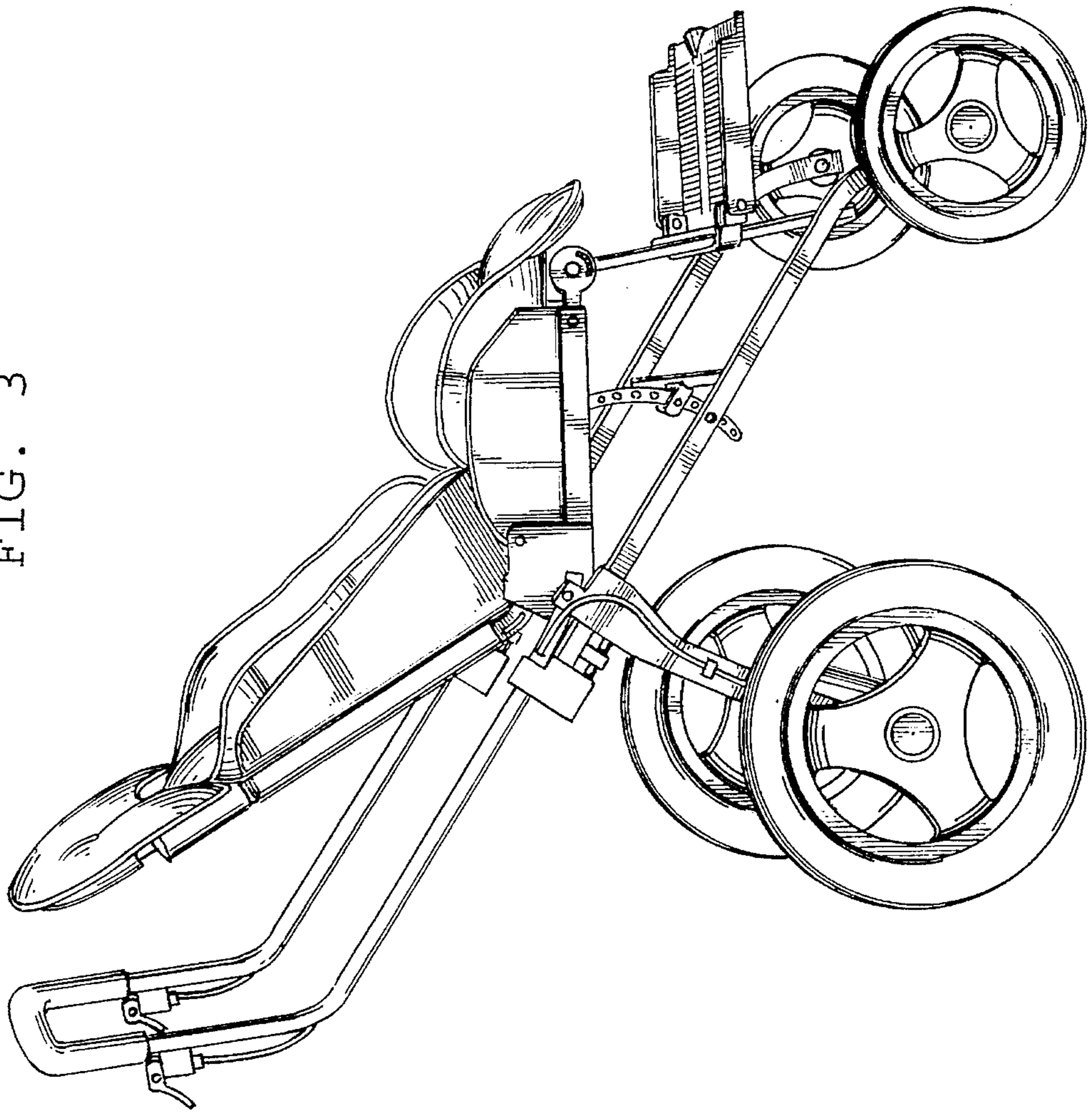


FIG. 2

