



US00D367017S

United States Patent [19]
Dempsey

[11] **Patent Number: Des. 367,017**
[45] **Date of Patent: **Feb. 13, 1996**

[54] **COMBINED TRANSMITTER AND RECEIVER FOR LOCATING LOST REMOTE CONTROL UNIT**

[76] Inventor: **Mark A. Dempsey**, 528 N. 65th St., Kansas City, Kans. 66102-3031

[**] Term: **14 Years**

[21] Appl. No.: **34,270**

[22] Filed: **Jan. 31, 1995**

[52] U.S. Cl. **D10/104**

[58] Field of Search D10/104, 106, D10/116, 121; 340/540, 545, 571, 572, 573; D14/155

[56] **References Cited**

U.S. PATENT DOCUMENTS

- D. 347,397 5/1994 Schmauch D10/104
- D. 348,410 7/1994 Adams et al. D10/104
- D. 349,662 8/1994 Butcher et al. D10/104

Primary Examiner—A. Hugo Word
Assistant Examiner—Marcus Jackson
Attorney, Agent, or Firm—Harpman & Harpman

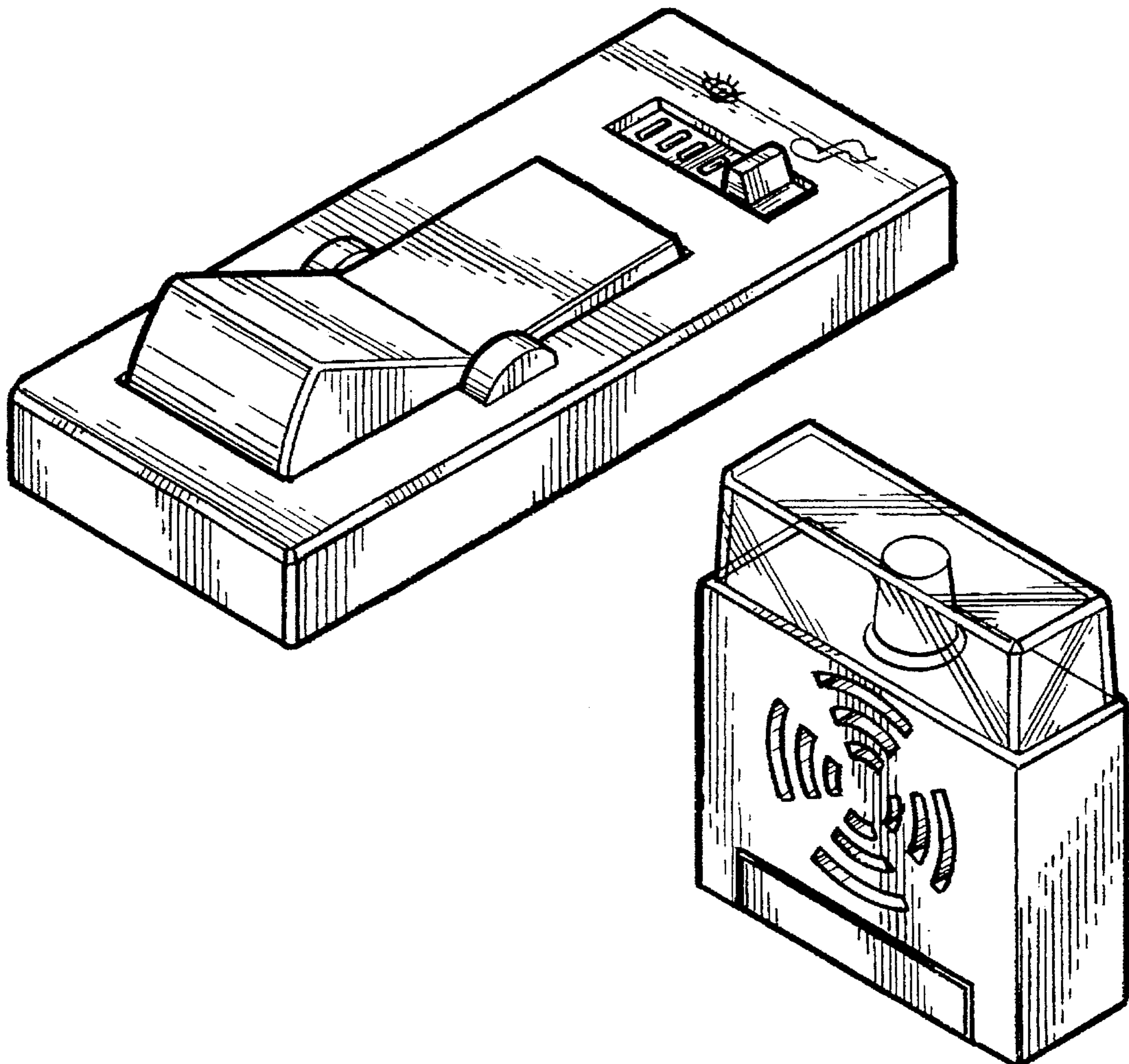
[57] **CLAIM**

The ornamental design for a combined transmitter and receiver for locating lost remote control unit, as shown and described.

DESCRIPTION

FIG. 1 is a front, top and side perspective view of the combined transmitter and receiver for locating lost remote control units embodying the design of the present invention. FIG. 2 is a front elevational view thereof; FIG. 3 is a rear elevational view thereof; FIG. 4 is a side elevational view thereof; FIG. 5 is a left side elevational view thereof; FIG. 6 is a top plan view thereof; and, FIG. 7 is a bottom plan view thereof.

1 Claim, 4 Drawing Sheets



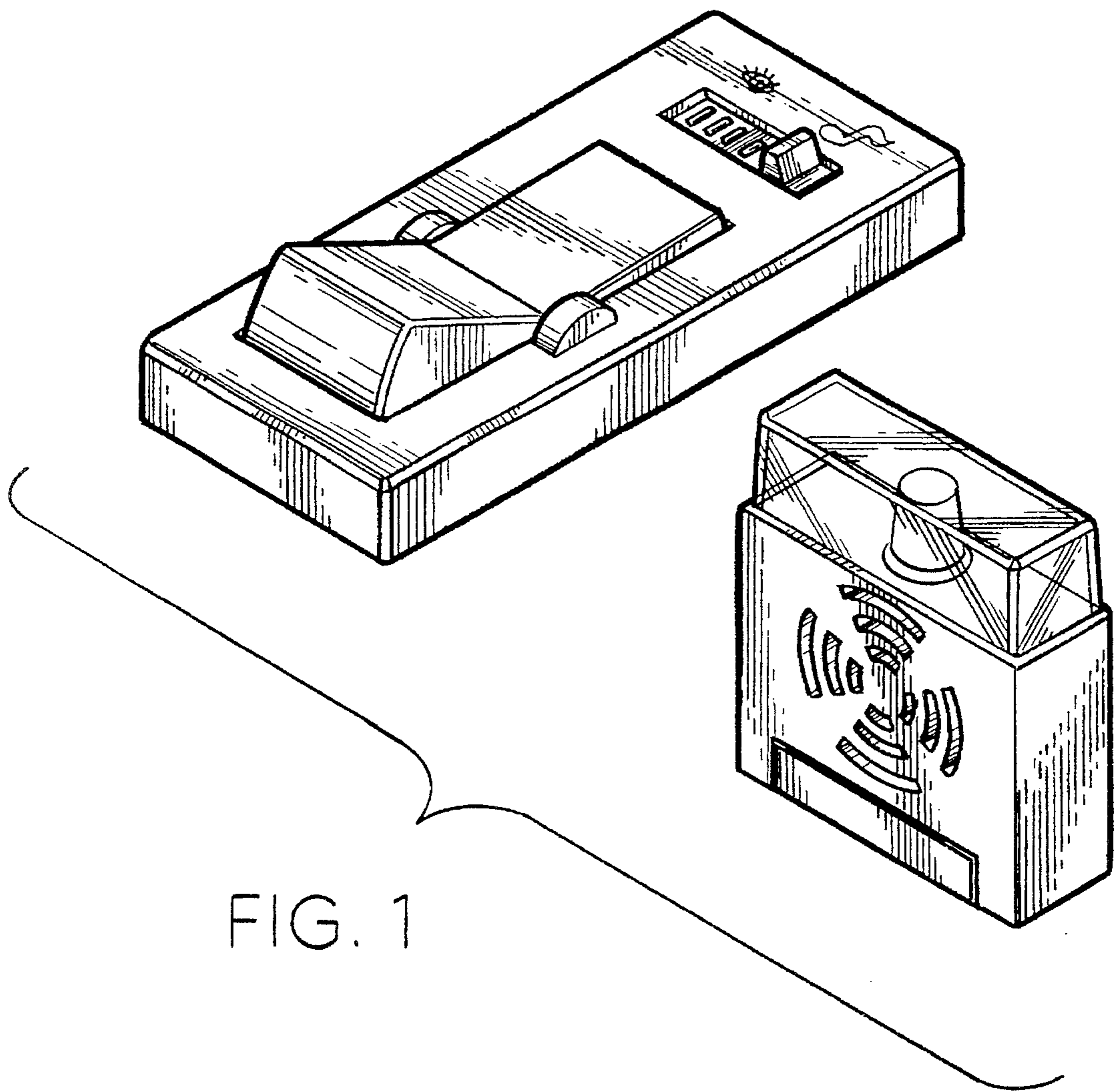


FIG. 1

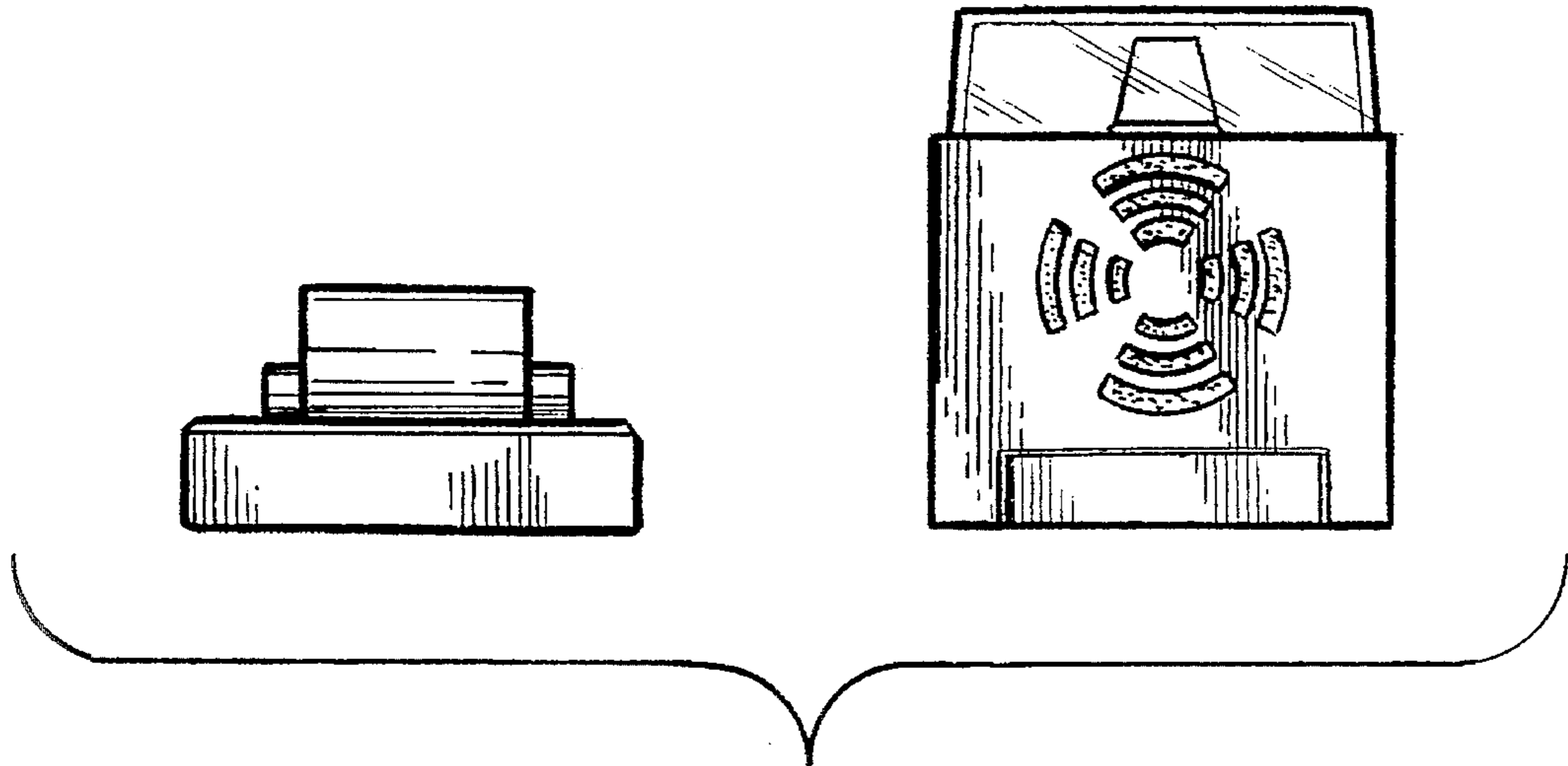


FIG. 2

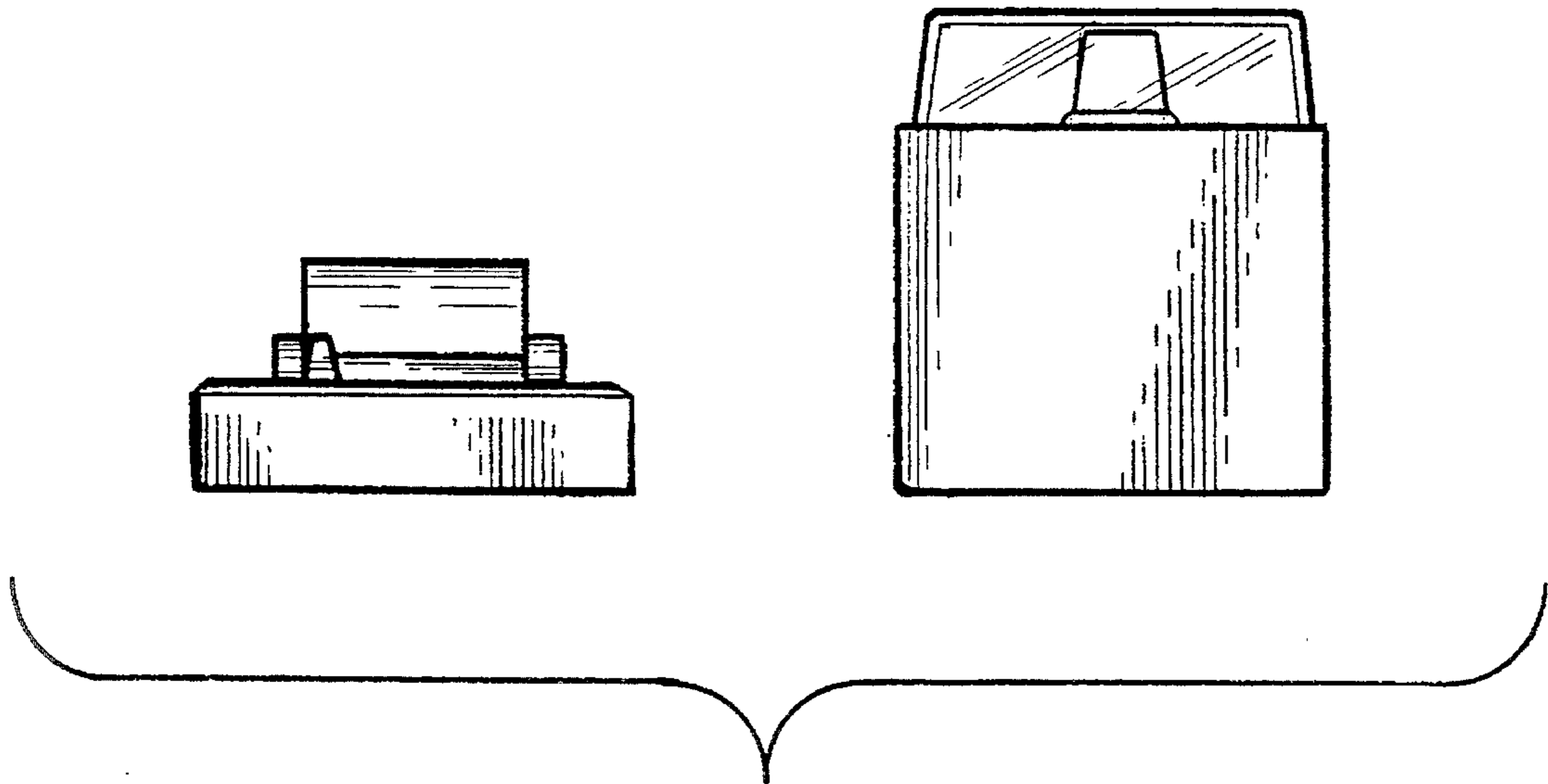


FIG. 3

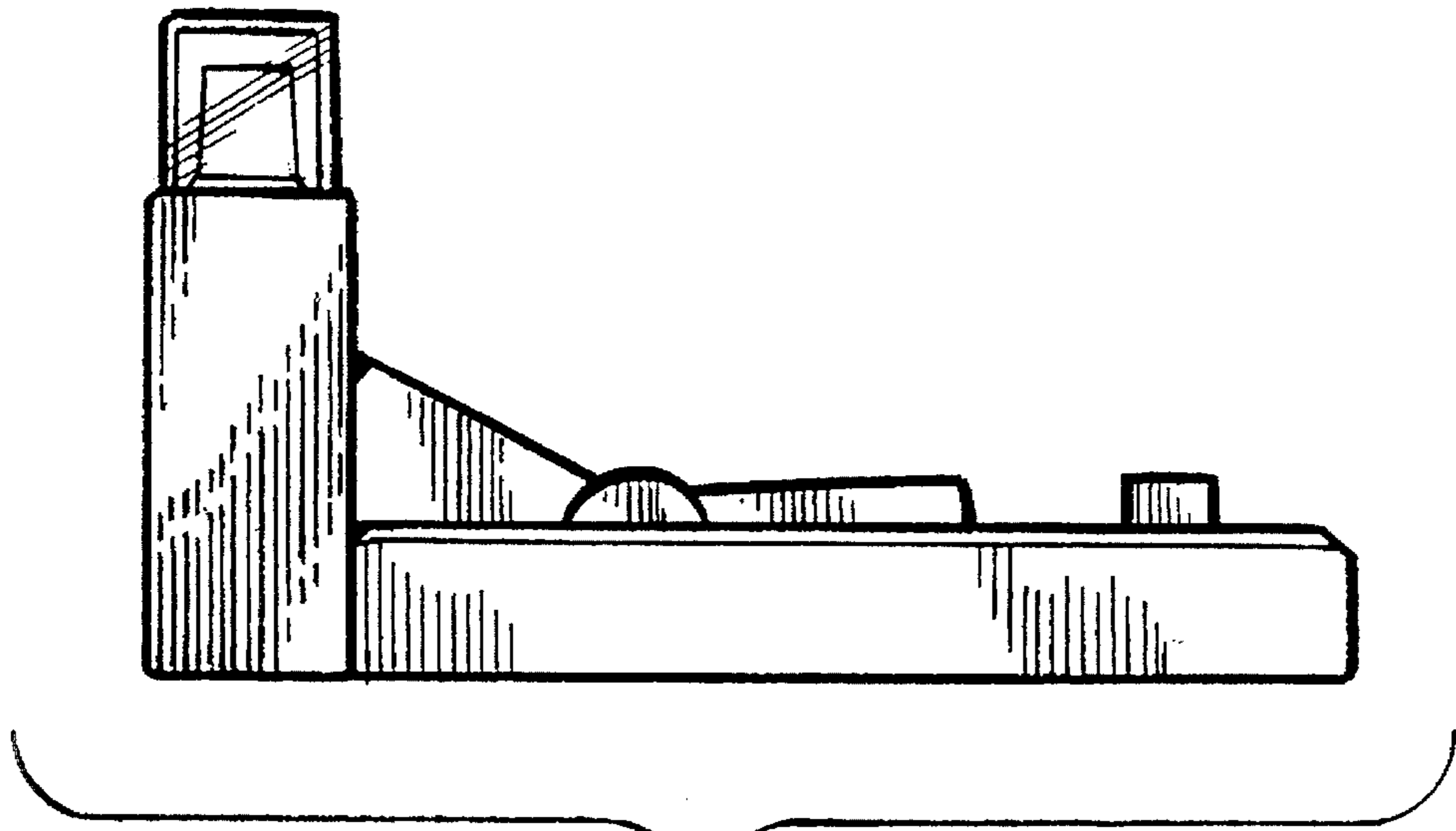


FIG. 4

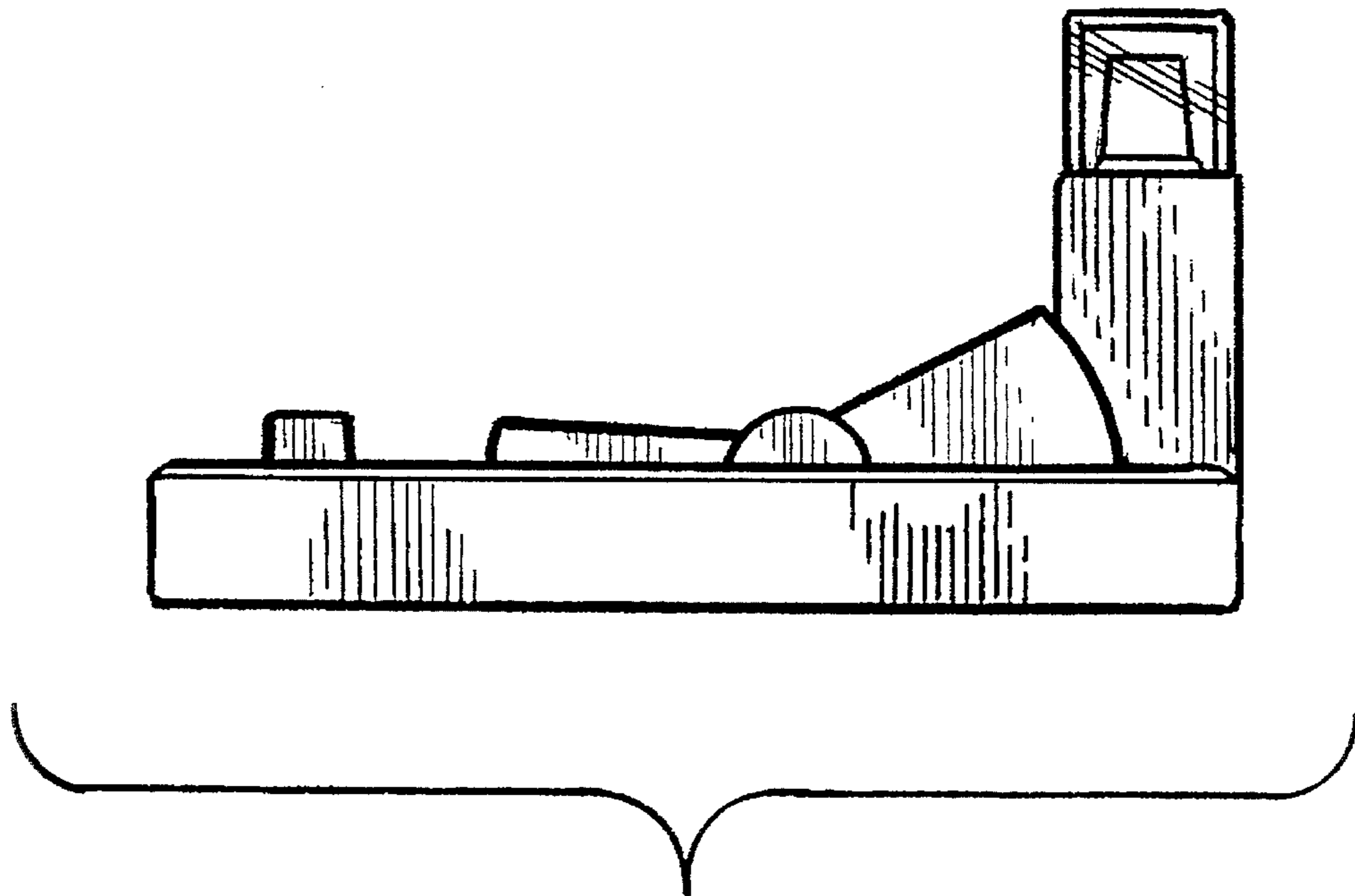


FIG. 5

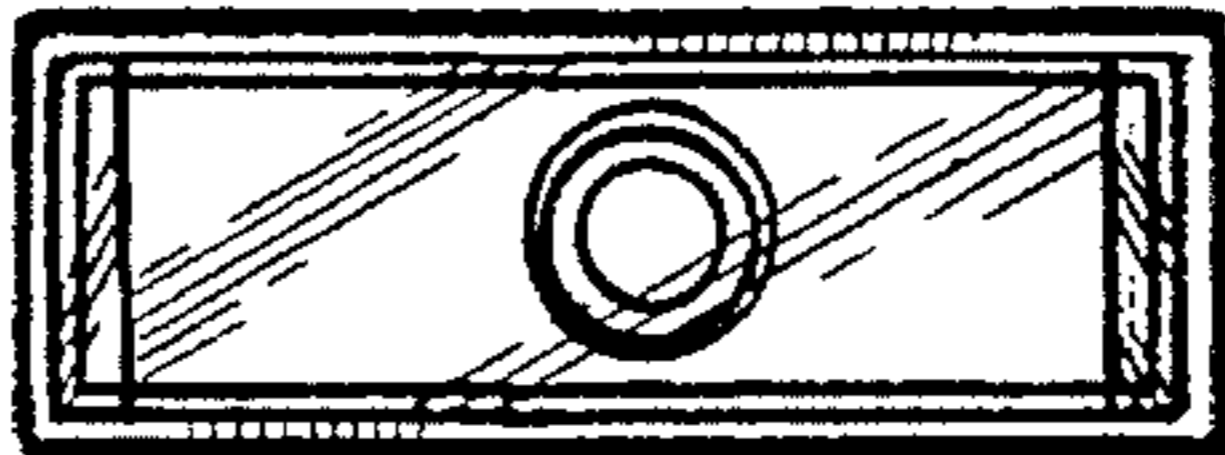
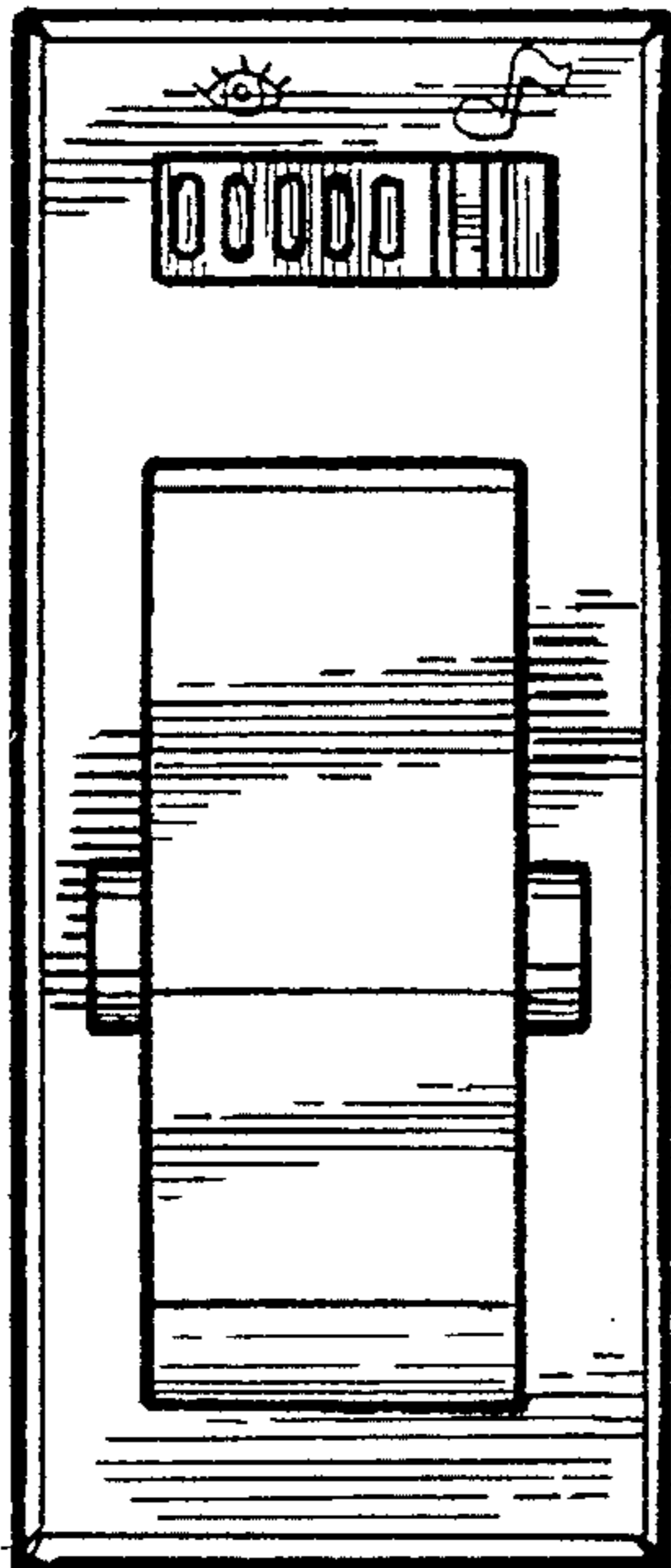


FIG. 6

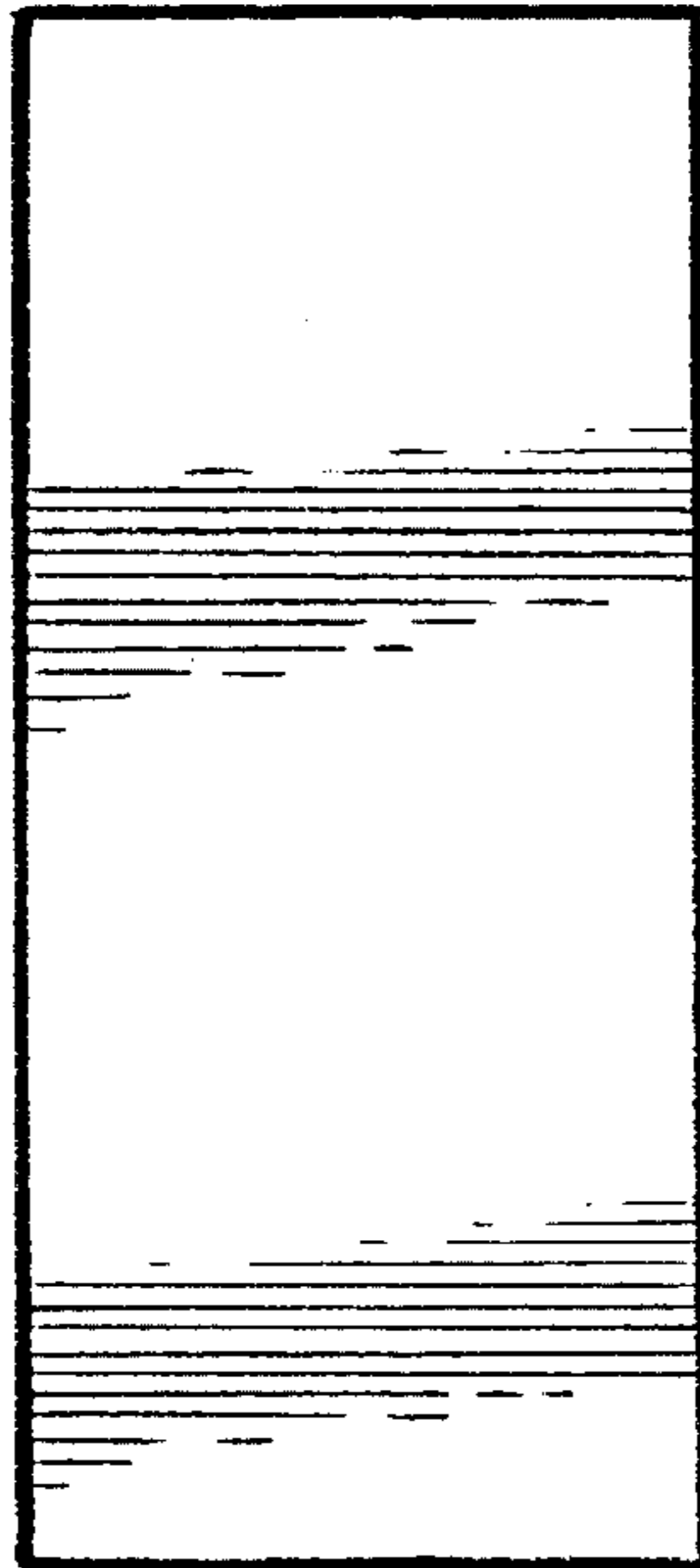


FIG. 7