



US00D367014S

# United States Patent [19]

D'Orazio et al.

[11] Patent Number: **Des. 367,014**

[45] Date of Patent: **\*\*Feb. 13, 1996**

[54] **SOLID STATE PLANAR SENSOR**

4,419,191 12/1983 Weber et al. .... 204/400 X  
5,064,618 11/1991 Baker et al. .... 204/400 X

[75] Inventors: **Paul A. D'Orazio**, Mendon; **James E. Flaherty**, Attleboro, both of Mass.

*Primary Examiner*—Antoine Duval Davis  
*Attorney, Agent, or Firm*—Nicholas I. Slepchuk, Jr.; Arthur S. Morgenstern; Judith A. Roesler

[73] Assignee: **Ciba Corning Diagnostics Corp.**, Medfield, Mass.

[57] **CLAIM**

[\*\*] Term: **14 Years**

The ornamental design for a solid state planar sensor, as shown and described.

[21] Appl. No.: **25,127**

**DESCRIPTION**

[22] Filed: **Jun. 27, 1994**

[52] U.S. Cl. .... **D10/81**; D10/46

FIG. 1 is a perspective view of a solid state planar sensor showing our new design;

[58] Field of Search ..... D15/124; D10/46, D10/81; 435/179, 29, 817, 182, 288, 291; 204/400, 403, 406, 407, 412, 415, 418, 153.12; 128/635

FIG. 2 is a top plan view;

FIG. 3 is a bottom plan view;

FIG. 4 is a side view, the opposite side view being a mirror image thereof;

FIG. 5 is a front view; and

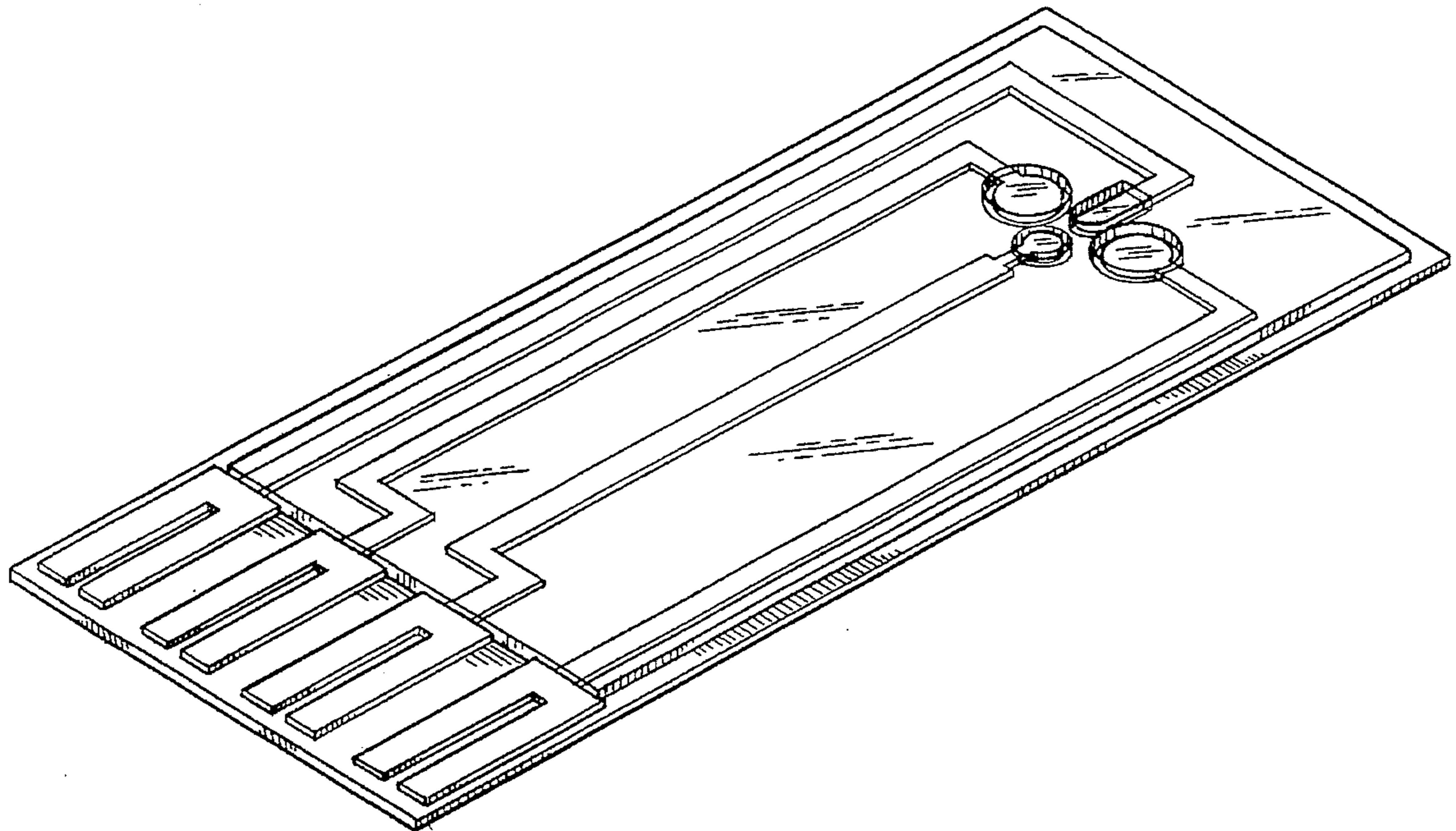
FIG. 6 is a rear view.

[56] **References Cited**

**U.S. PATENT DOCUMENTS**

4,354,308 10/1982 Shimada et al. .... 204/400 X

**1 Claim, 4 Drawing Sheets**



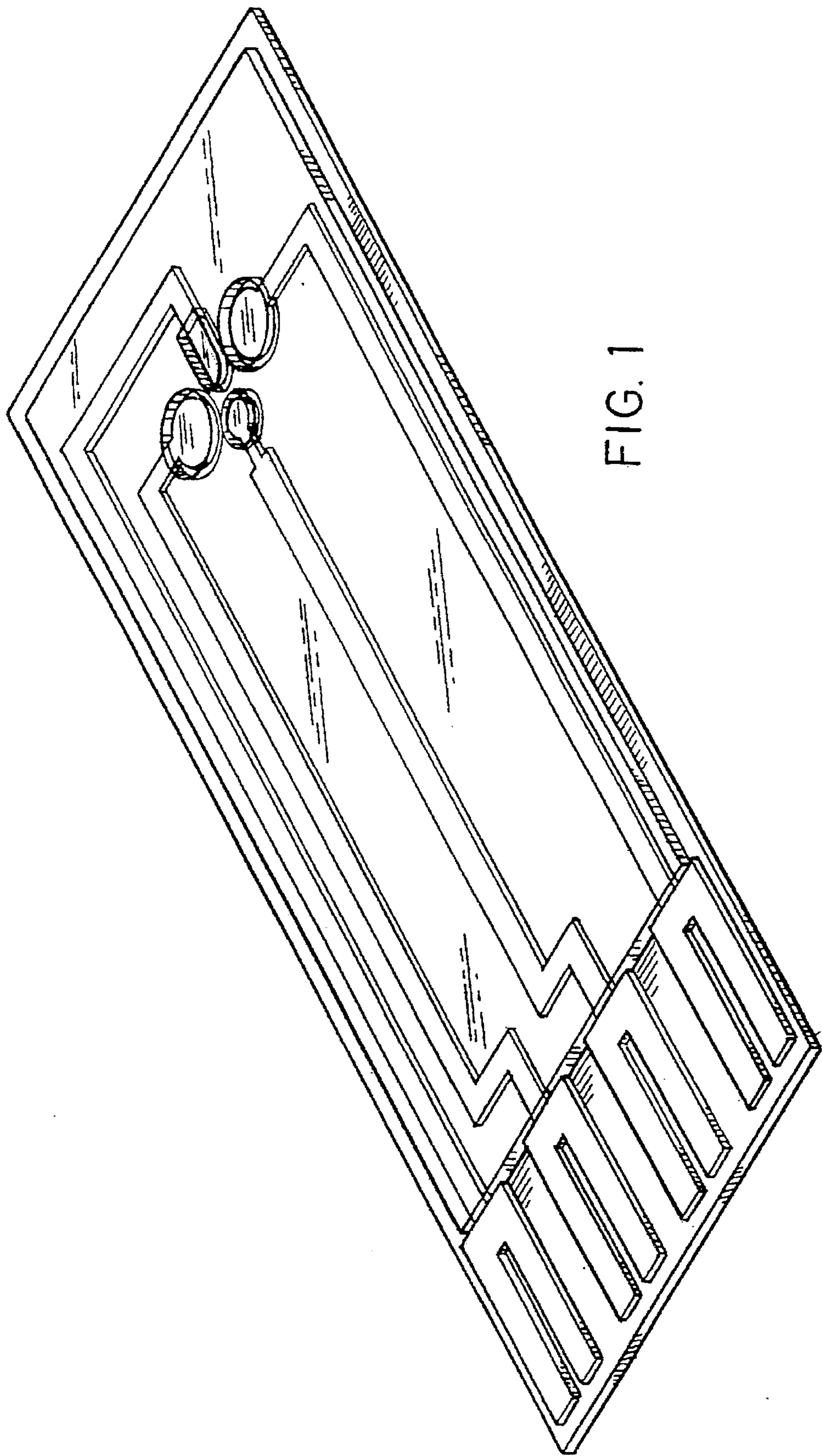


FIG. 1

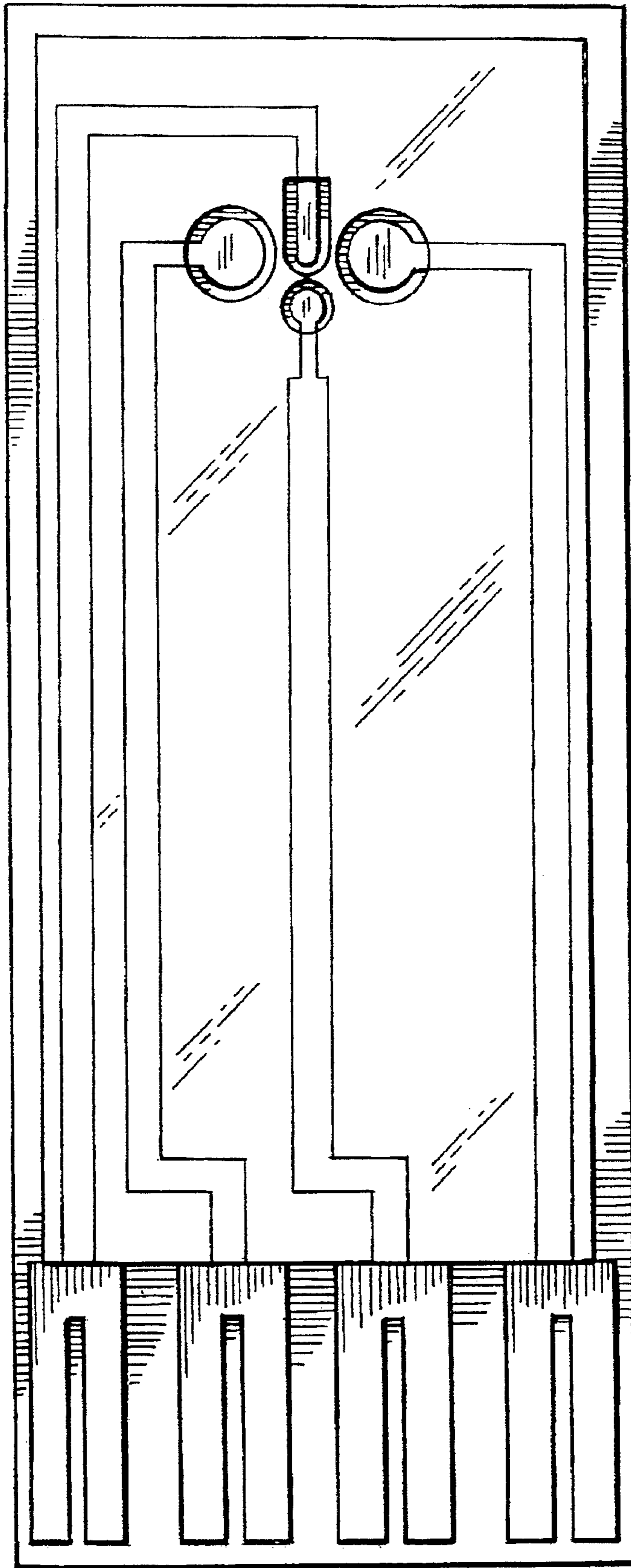


FIG. 2

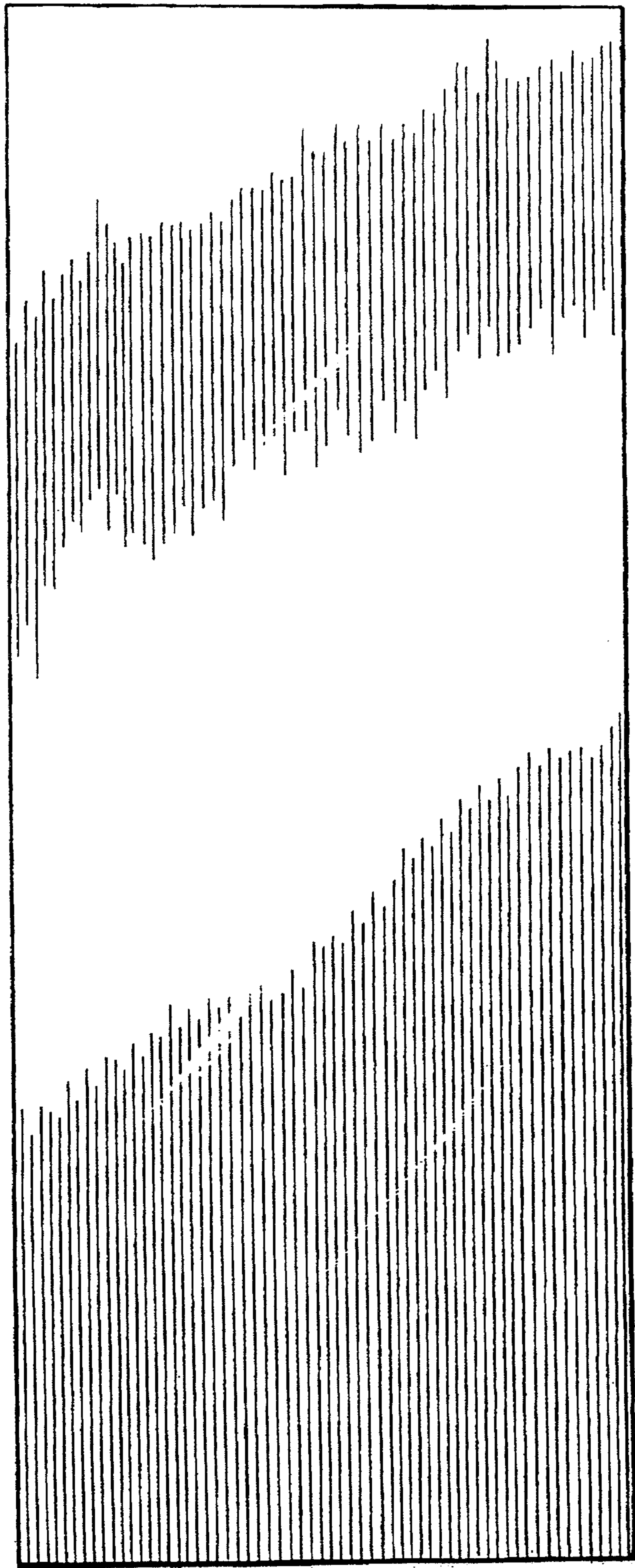


FIG. 3



FIG. 4



FIG. 5



FIG. 6