



US00D367012S

United States Patent [19]
Billingsley

[11] **Patent Number: Des. 367,012**

[45] **Date of Patent: **Feb. 13, 1996**

[54] **VEHICLE SLEEP TIMER**

5,313,439 5/1994 Albeck 368/89 X

[76] Inventor: **John Billingsley**, 87 Maryland Dr.,
Battle Creek, Mich. 49017

Primary Examiner—Nelson C. Holtje
Attorney, Agent, or Firm—Varnum, Riddering, Schmidt &
Howlett

[**] Term: **14 Years**

[57] **CLAIM**

[21] Appl. No.: **27,550**

The ornamental design for a vehicle sleep timer, as shown
and described.

[22] Filed: **Aug. 24, 1994**

[52] **U.S. Cl.** **D10/40**

DESCRIPTION

[58] **Field of Search** D10/1-40, 127-132,
D10/285; 368/89, 97-100, 107-121, 285

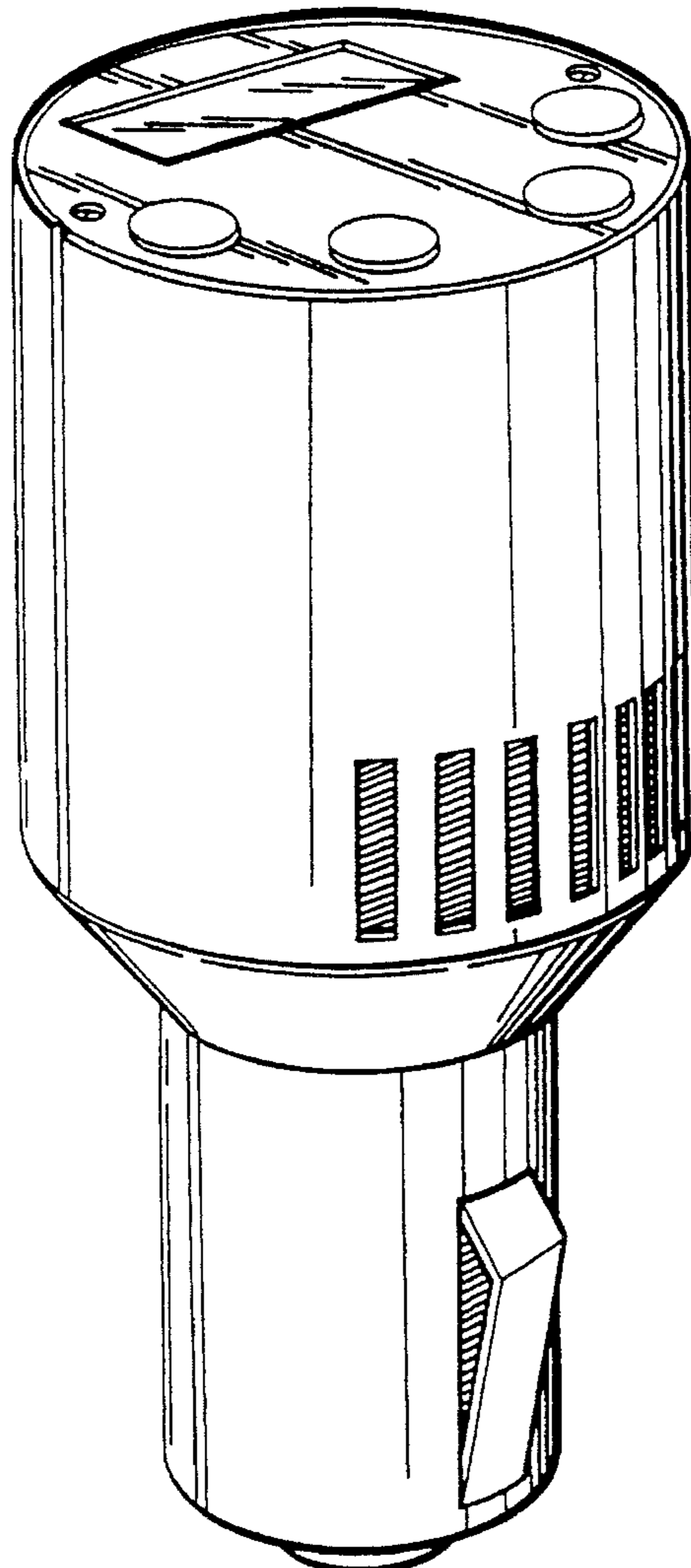
FIG. 1 is a perspective view of a vehicle sleep timer that
embodies my design;
FIG. 2 is a top plan view thereof;
FIG. 3 is a bottom plan view thereof;
FIG. 4 is a front elevational view thereof;
FIG. 5 is a rear elevational view thereof; and,
FIG. 6 is a left side elevational view thereof, the right side
elevational view being a mirror image of the left side
elevational view.

[56] **References Cited**

U.S. PATENT DOCUMENTS

D. 221,976	9/1971	Stolarczyk	D10/40
D. 264,316	5/1982	Loiseau	D10/40
D. 316,678	5/1991	Koziol	D10/40
D. 358,606	5/1995	Davis	D10/40
4,419,016	12/1983	Zoltan	368/89 X
4,492,479	1/1985	Hatsuse	368/109

1 Claim, 3 Drawing Sheets



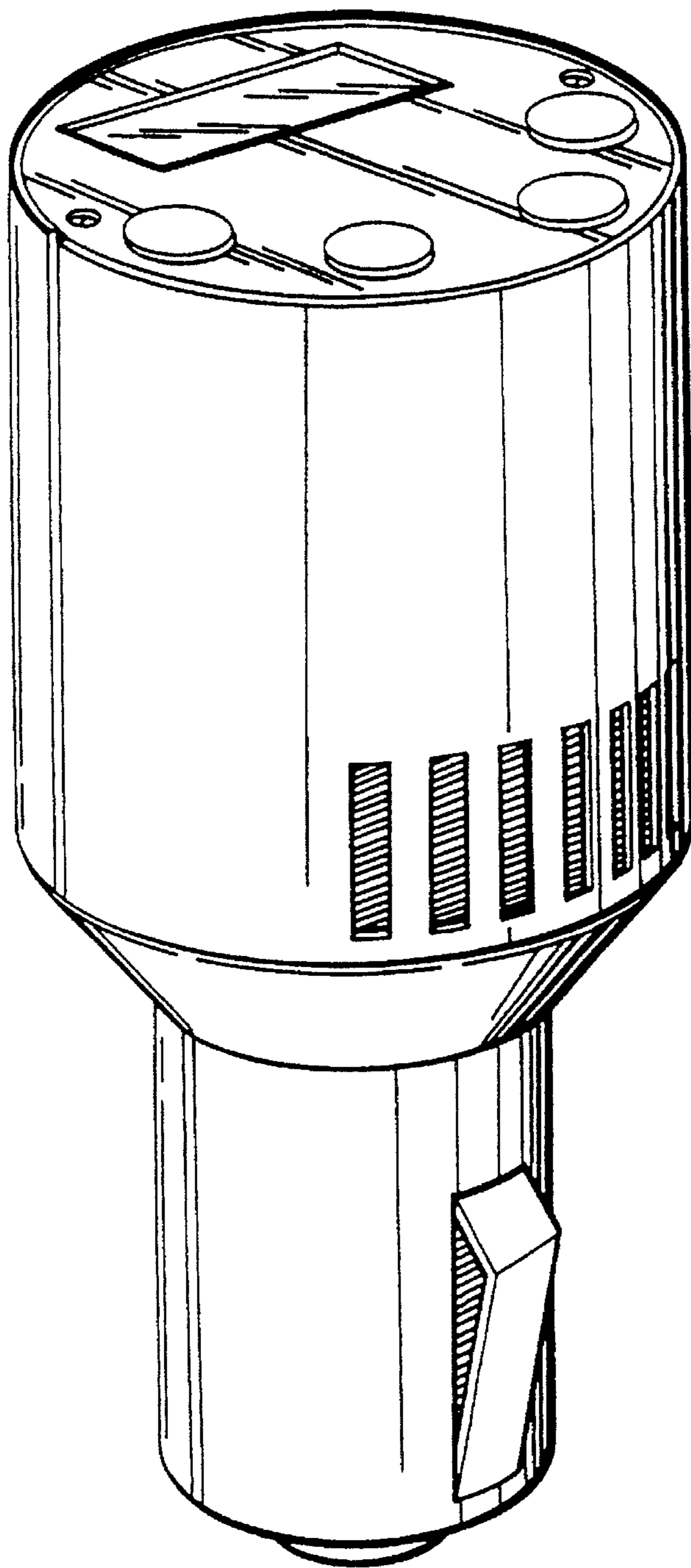


Fig. 1

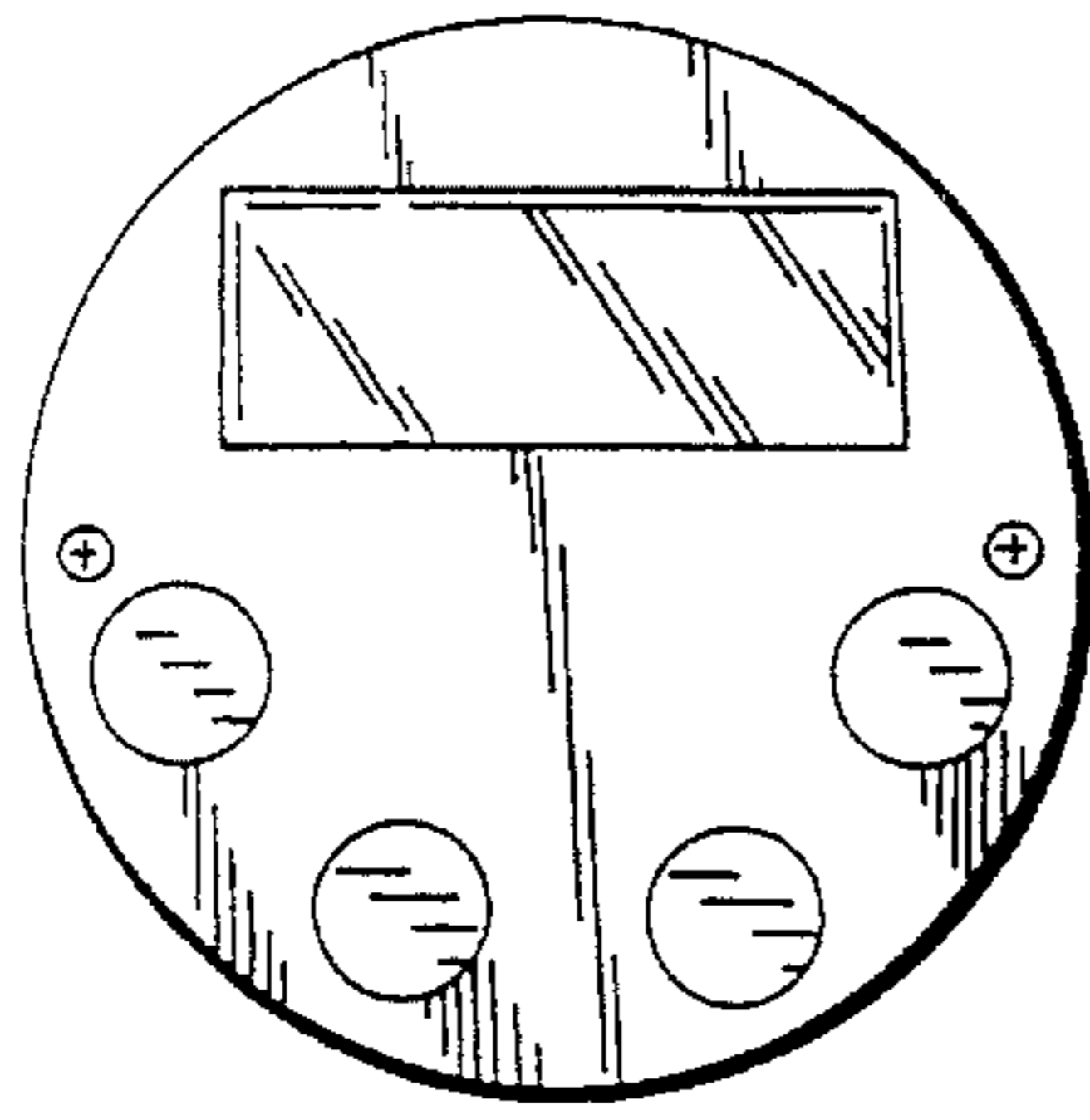


Fig. 2

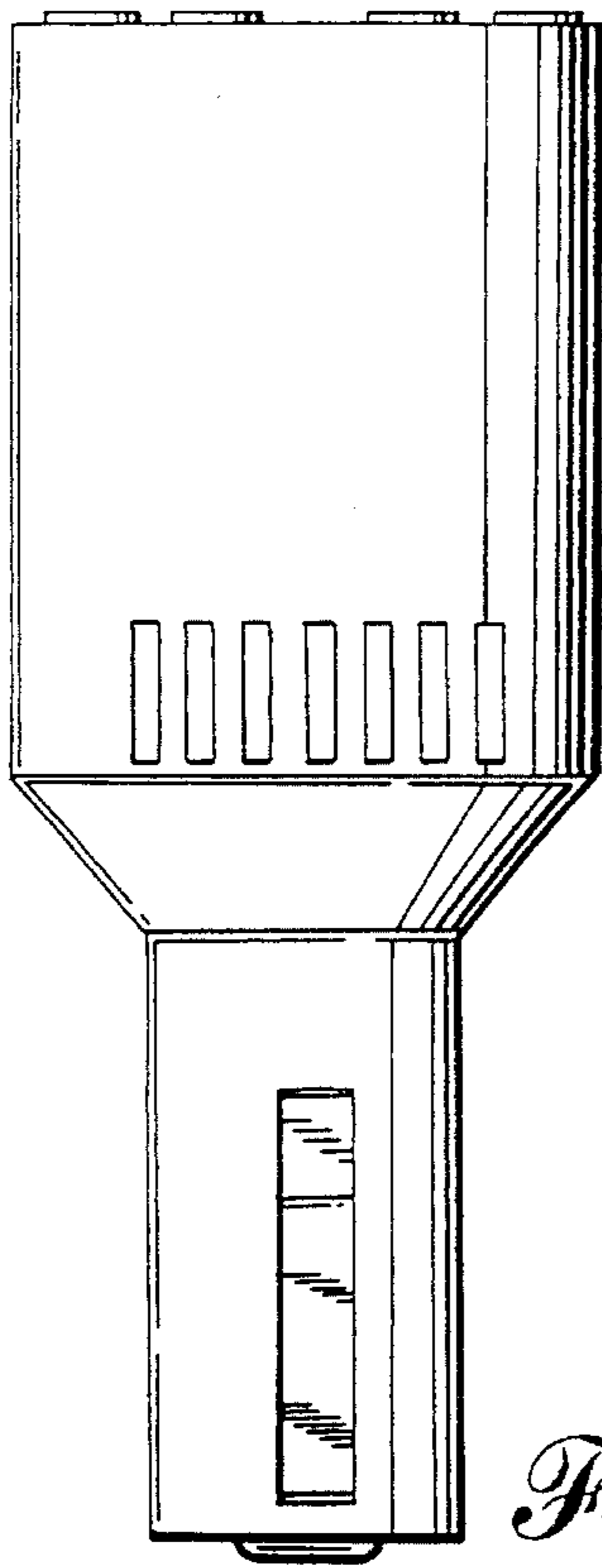


Fig. 4

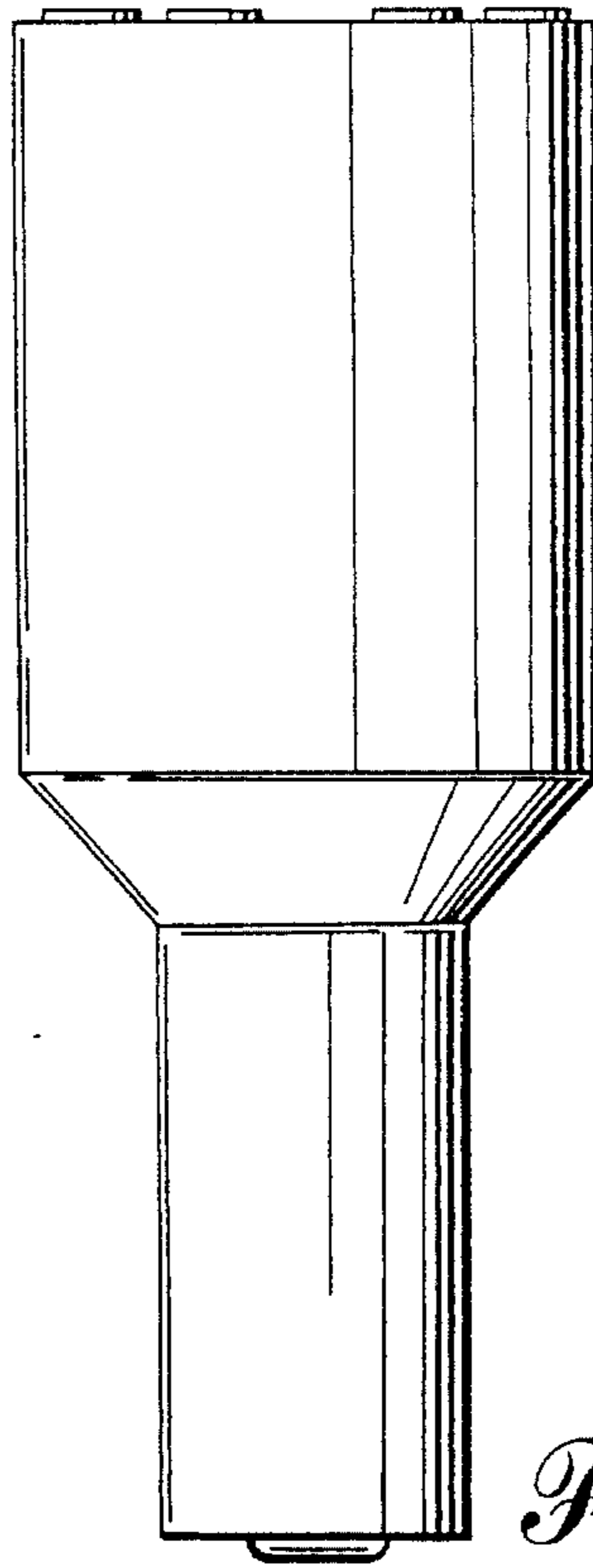


Fig. 5

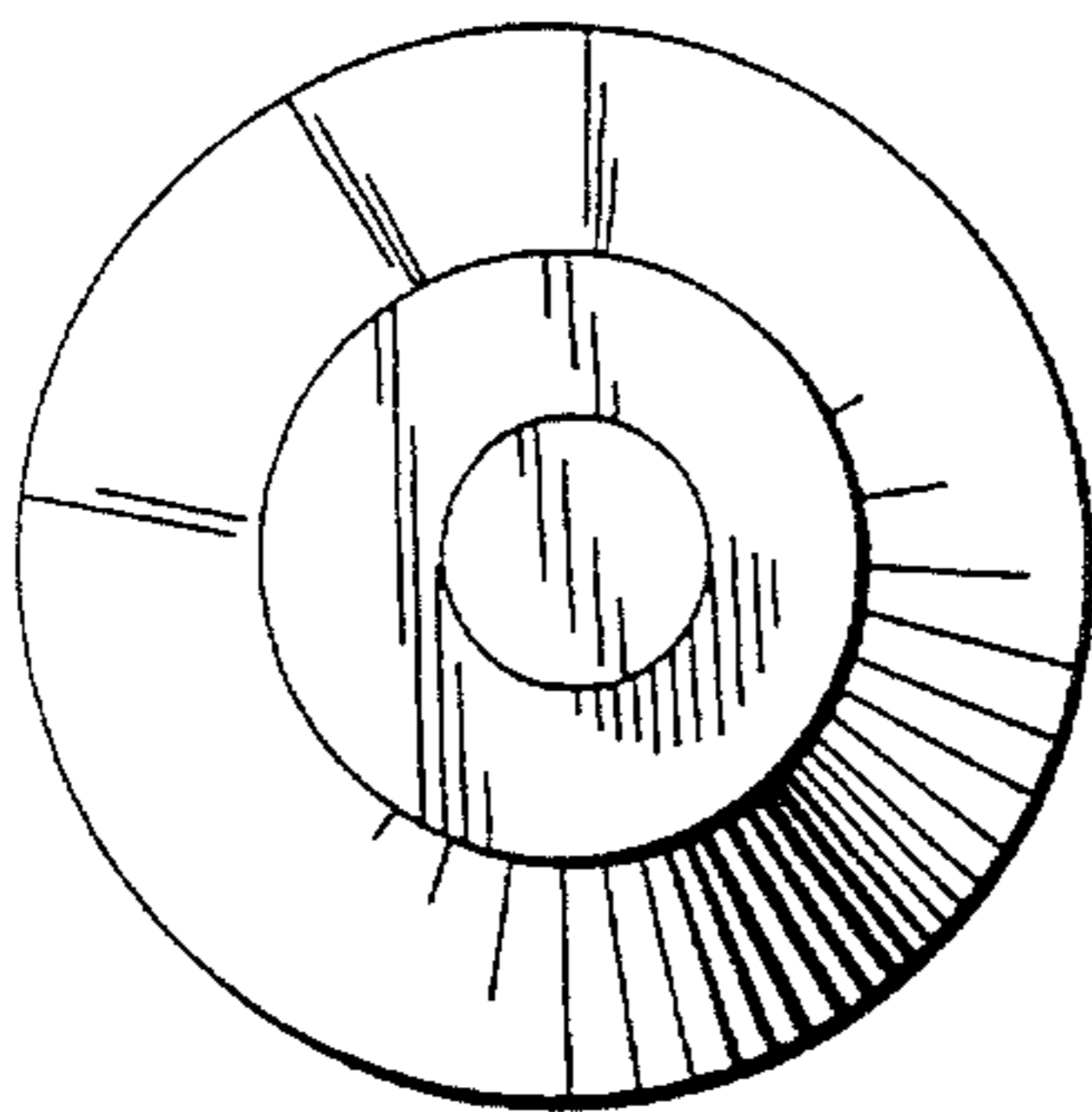


Fig. 3

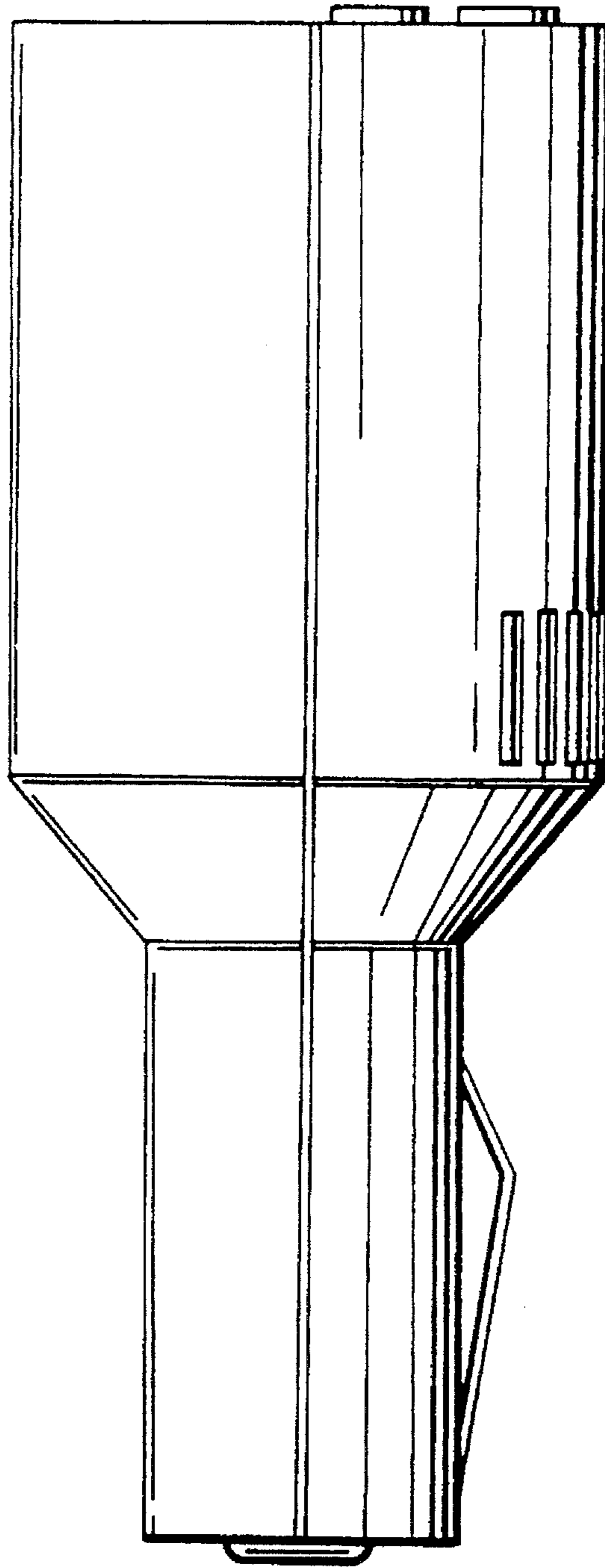


Fig. 6