



US00D367008S

# United States Patent [19]

[11] Patent Number: **Des. 367,008**

Sillince et al.

[45] Date of Patent: **\*\*Feb. 13, 1996**

[54] **HEAD FORMING INSERT, ESPECIALLY FOR USE IN BOTTLES**

[75] Inventors: **Mark E. Sillince**, Bedfordshire, United Kingdom; **Erwin A. Rosens**, Alphen A/D Rijn, Netherlands

[73] Assignees: **Whitbread PLC**, London, Great Britain; **Heineken Technical**, Amsterdam, Netherlands

[\*\*] Term: **14 Years**

[21] Appl. No.: **33,241**

[22] Filed: **Jan. 6, 1995**

[30] **Foreign Application Priority Data**

Jul. 7, 1994 [GB] United Kingdom ..... 2040177

[52] **U.S. Cl.** ..... **D9/456**

[58] **Field of Search** ..... D7/393; D9/337, D9/434, 456, 499, 516, 519, 537, 542, 545, 549; D23/202; D34/39; D99/2; 220/646, DIG. 1

[56] **References Cited**

**U.S. PATENT DOCUMENTS**

- D. 85,279 10/1931 Brooke ..... D9/528
- D. 103,210 2/1937 Boardman ..... D23/202
- D. 141,914 7/1945 Benson ..... D23/202
- D. 156,545 12/1949 Lewis ..... D34/28
- D. 270,945 10/1983 Kohn ..... D7/393

- D. 306,406 3/1990 Pierce ..... D9/424
- D. 325,344 4/1992 Scholle ..... D34/39
- D. 345,914 4/1994 Fareri et al. .... D9/545
- 3,348,280 10/1967 Myers ..... D99/2 X
- 3,937,351 2/1976 Rigg ..... 220/646
- 5,064,073 11/1991 Folland ..... D9/519 X

**FOREIGN PATENT DOCUMENTS**

- 1087433 2/1955 France ..... D9/519 X

*Primary Examiner*—Alan P. Douglas  
*Assistant Examiner*—Robert M. Spear  
*Attorney, Agent, or Firm*—Sughrue, Mion, Zinn, Macpeak & Seas

[57] **CLAIM**

The ornamental design for a head forming insert, especially for use in bottles, as shown and described.

**DESCRIPTION**

FIG. 1 is a perspective view of the top front and one side of a head forming insert, especially for use in bottles, showing our new design;  
FIG. 2 is a side elevational view thereof, the opposite side elevational view being identical;  
FIG. 3 is an end elevational view, the opposite end elevational view being identical;  
FIG. 4 is a top plan view thereof;  
FIG. 5 is a bottom plan view thereof; and,  
FIG. 6 is a sectional view taken along the line 6—6 in FIG. 4.

**1 Claim, 1 Drawing Sheet**

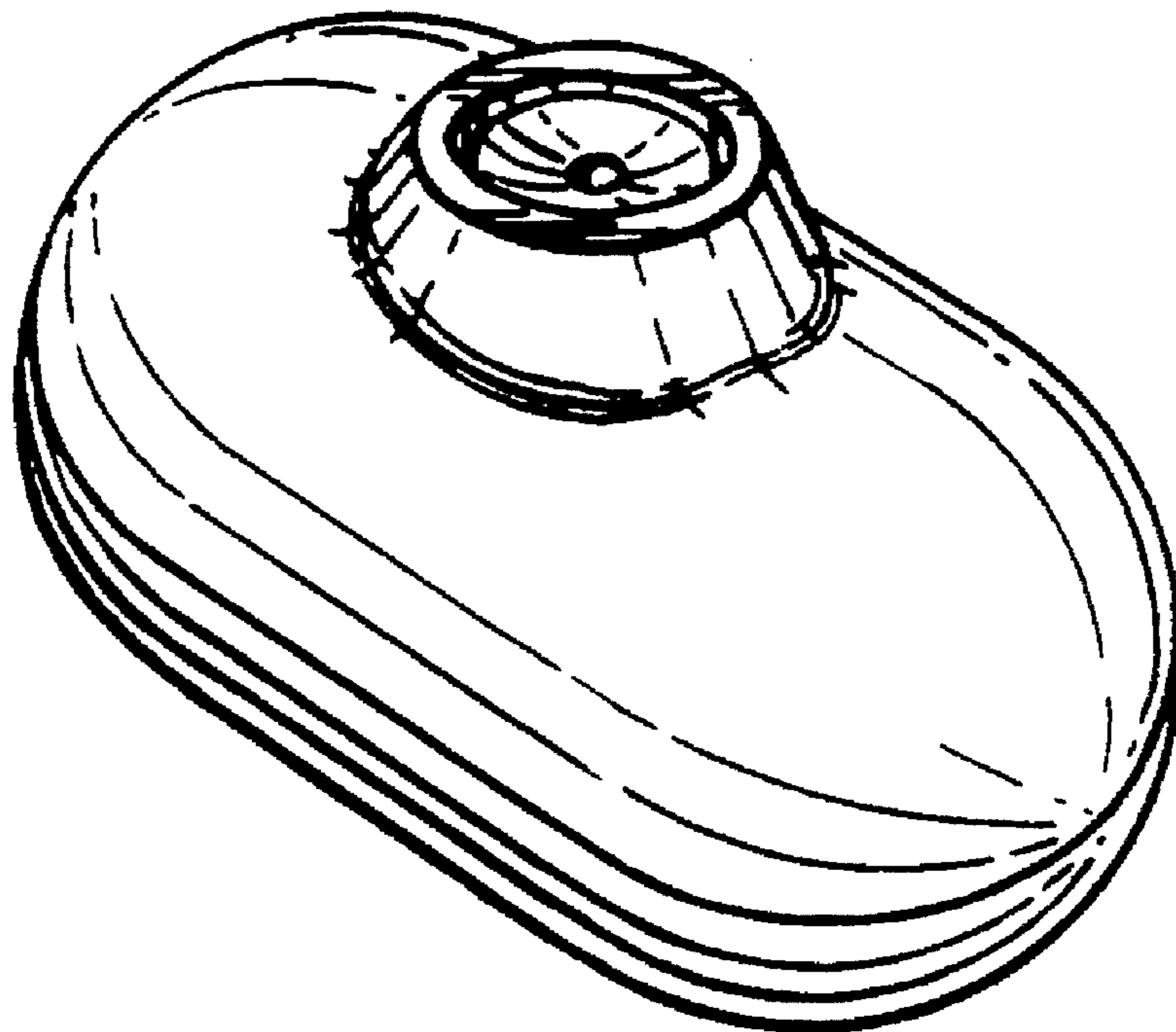


Fig.1.

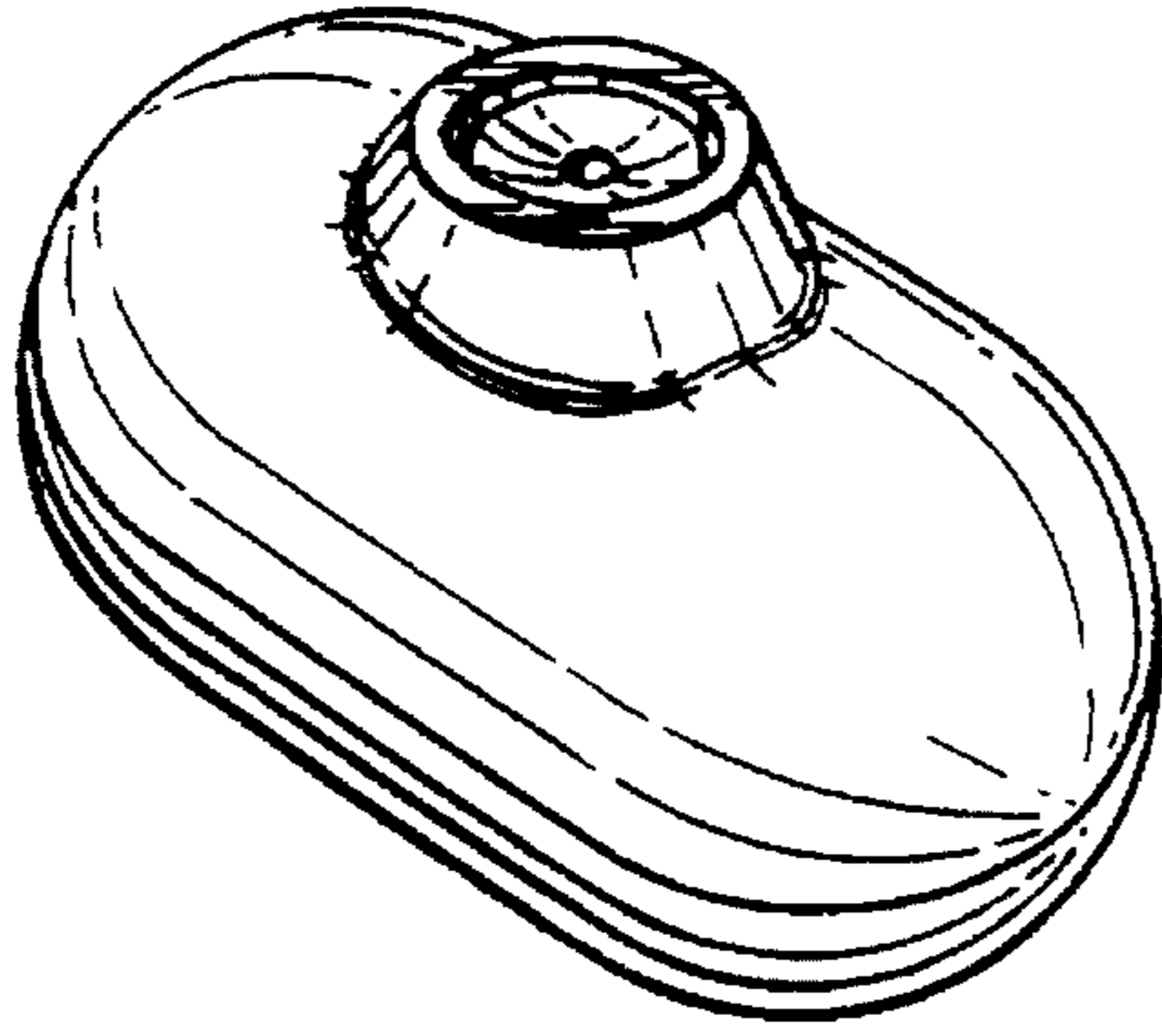


Fig.2.

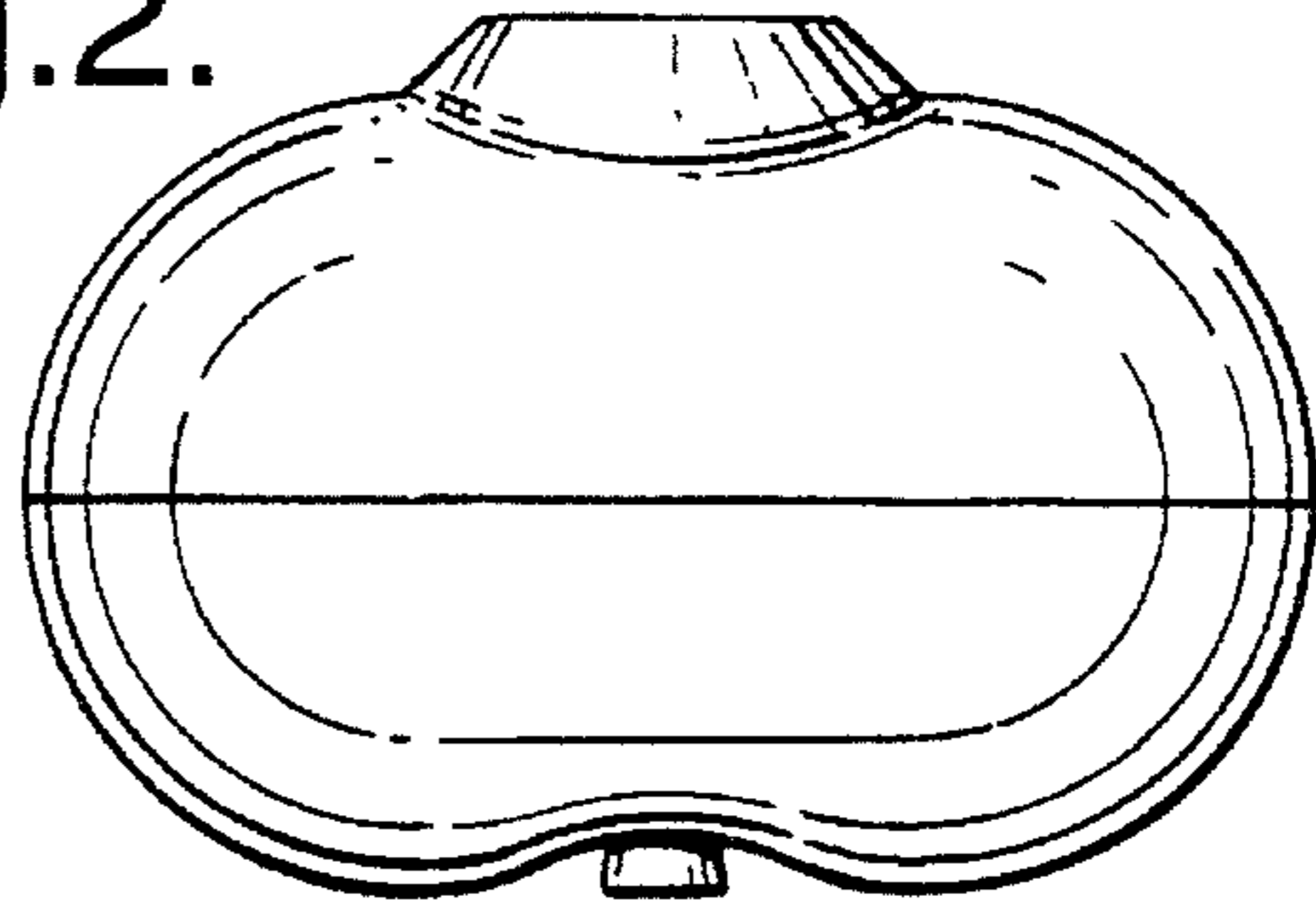


Fig.3.

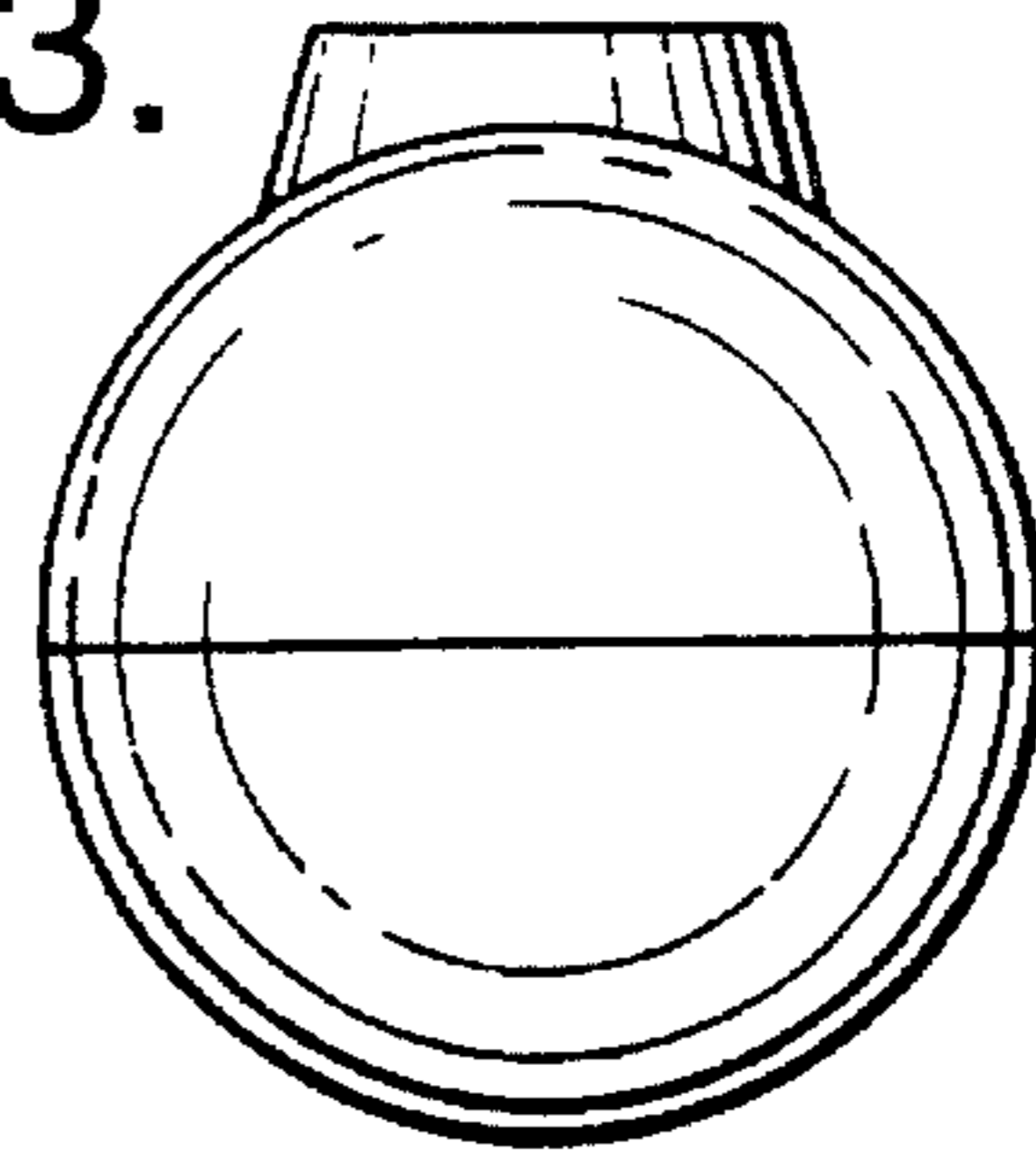


Fig.4.

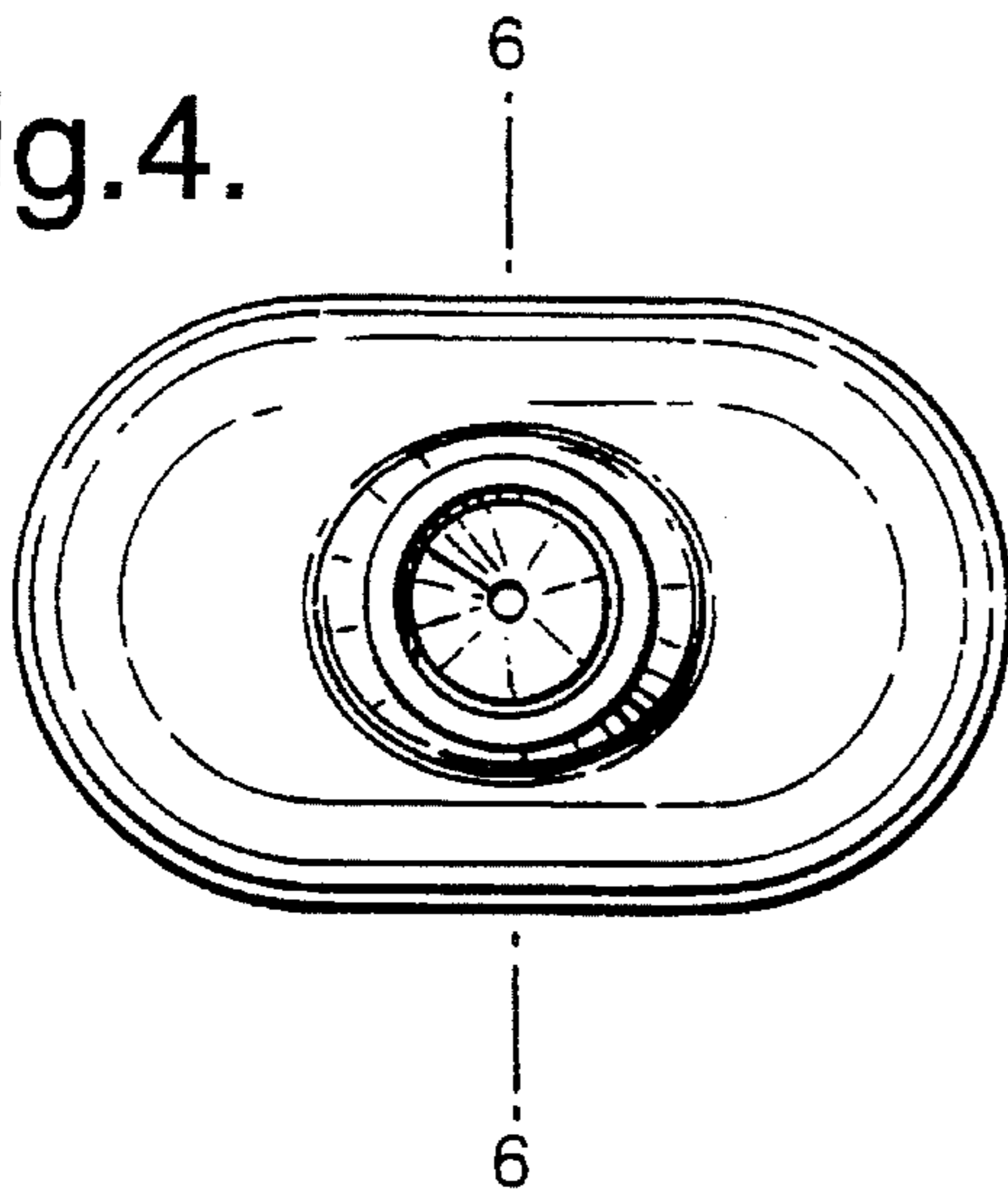


Fig.5.

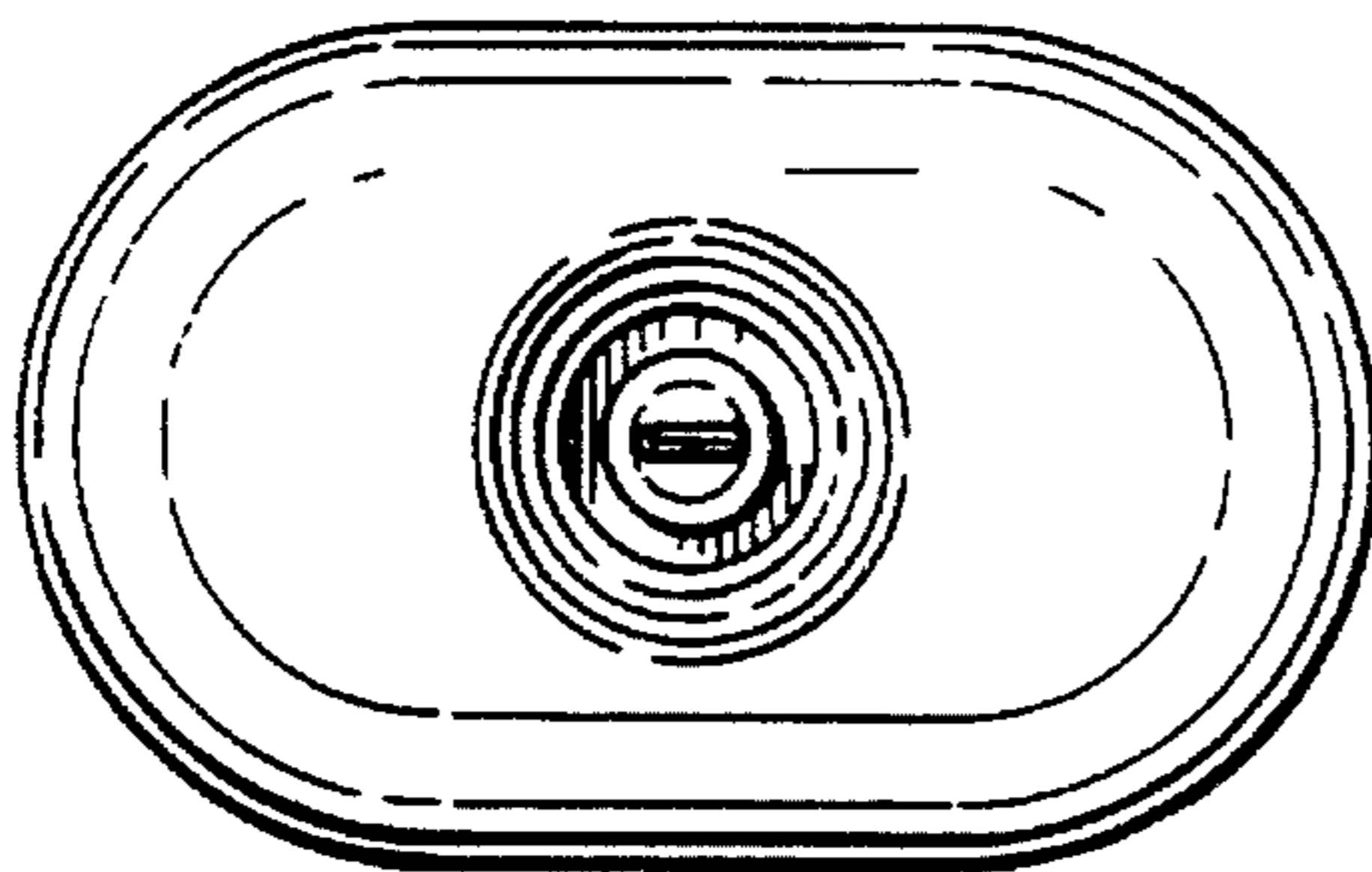


Fig.6.

