



US00D367005S

**United States Patent** [19]  
**Warrilow**

[11] **Patent Number: Des. 367,005**  
[45] **Date of Patent: \*\*Feb. 13, 1996**

[54] **DUAL COMPARTMENT DISPENSING BOTTLE**

*Attorney, Agent, or Firm*—Hopkins & Thomas; James W. Kayden

[76] Inventor: **Terence J. Warrilow**, 115 Parkerwood Way, Alpharetta, Ga. 30202

[57] **CLAIM**

[\*\*] Term: **14 Years**

The ornamental design for a dual compartment dispensing bottle as shown and described.

[21] Appl. No.: **24,256**

**DESCRIPTION**

[22] Filed: **Jun. 10, 1994**

[52] U.S. Cl. .... **D9/341**; D9/300; D9/523; D9/524

[58] **Field of Search** ..... D9/524, 523, 341, D9/347, 300, 543, 530, 516, 572, 575; 215/6, 10; 222/135, 145, 144.5, 383, 478, 481; 239/333; D24/225, 226

FIG. 1 is a perspective view of a dual compartment dispensing bottle showing my new design;

FIG. 2 is a left side elevation, the opposite side elevation is a mirror image thereof except for the conventional screw threading on the bottle neck;

FIG. 3 is a front elevational view thereof;

FIG. 4 is a rear elevational view thereof;

FIG. 5 is a top plan view thereof;

FIG. 6 is a bottom plan view thereof;

FIG. 7 is a perspective view showing an alternate embodiment of the present invention;

FIG. 8 is a front elevational view of a second embodiment of a dual compartment dispensing bottle;

FIG. 9 is a rear elevation thereof;

FIG. 10 is a top plan view thereof; and,

FIG. 11 is a bottom plan view thereof.

The broken line showing of a spray dispenser is for illustrative purposes only and does not form part of the claimed design.

[56] **References Cited**

**U.S. PATENT DOCUMENTS**

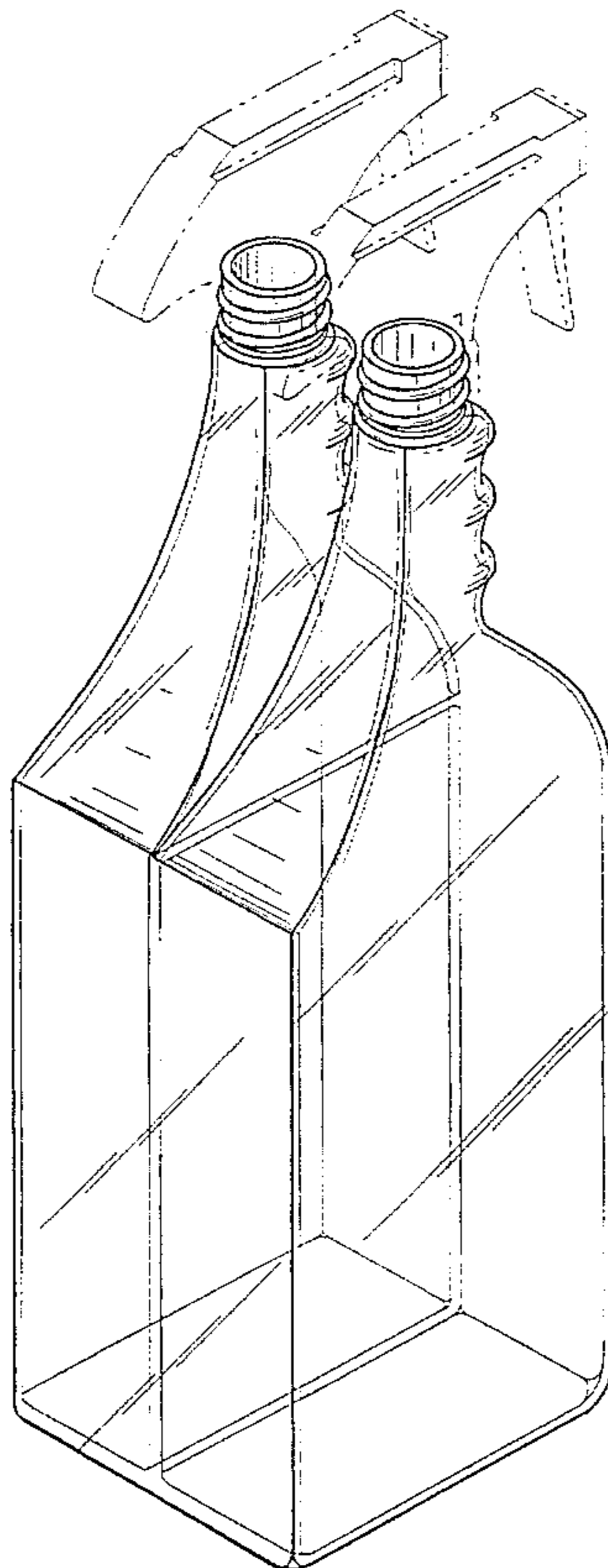
D. 213,170	1/1969	Muller	.....	D9/300
D. 275,078	8/1984	Wassergord et al.	.....	D9/523 X
D. 280,599	9/1985	Green	.....	D9/341
D. 326,606	6/1992	Green	.....	D9/341
D. 328,422	8/1992	Fuchs et al.	.....	D9/523
D. 336,846	6/1993	Proctor	.....	D9/300
4,925,066	5/1990	Rosenbaum	.....	222/143 X

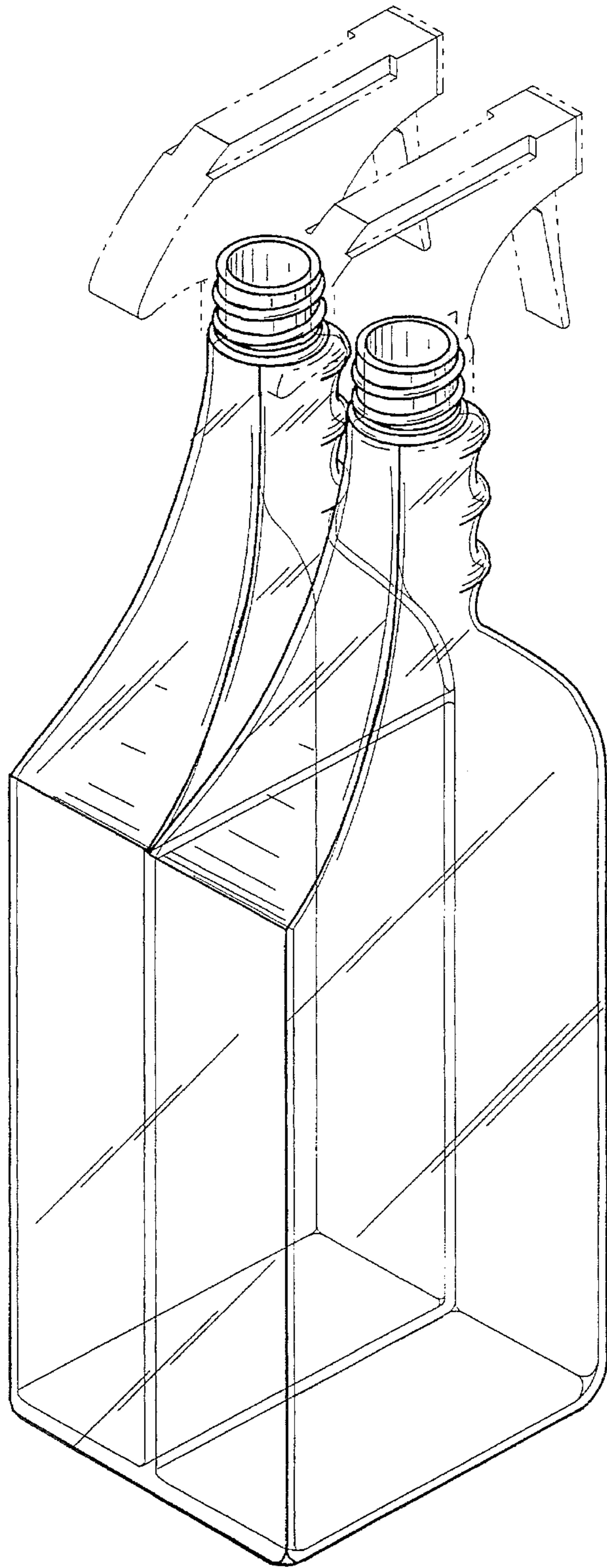
**OTHER PUBLICATIONS**

Aerosol Age, Nov. 1981, p. 31, Simoniz Automotive Cleaner Bottle, top right.

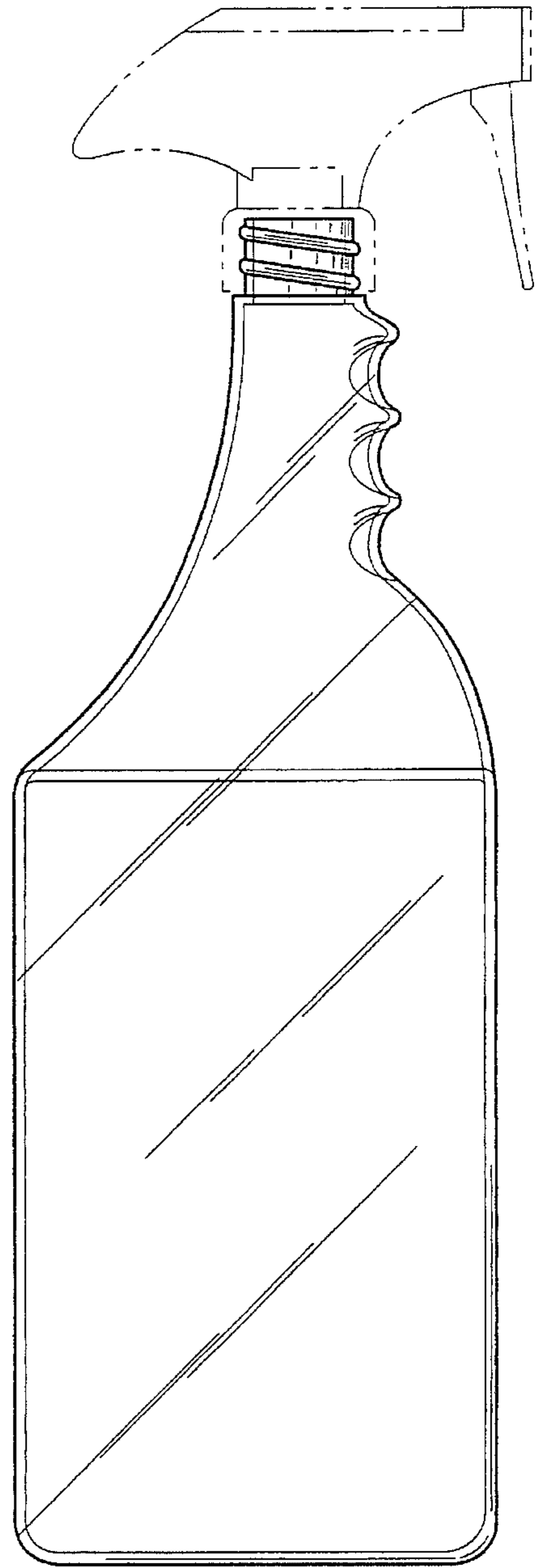
*Primary Examiner*—Lucy Lieberman

**1 Claim, 4 Drawing Sheets**

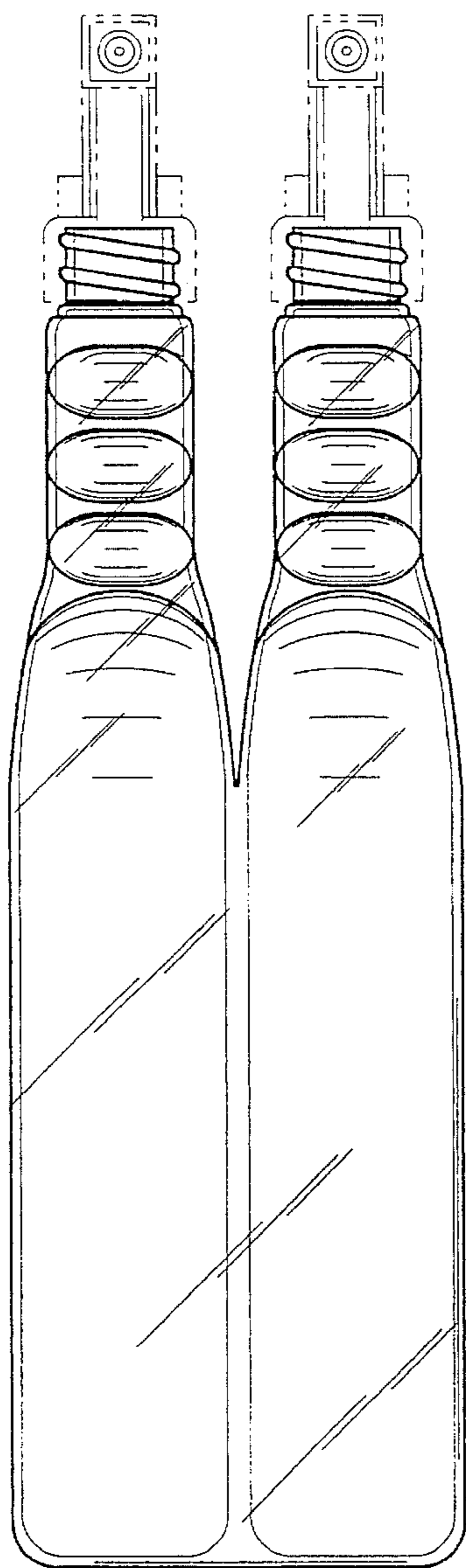




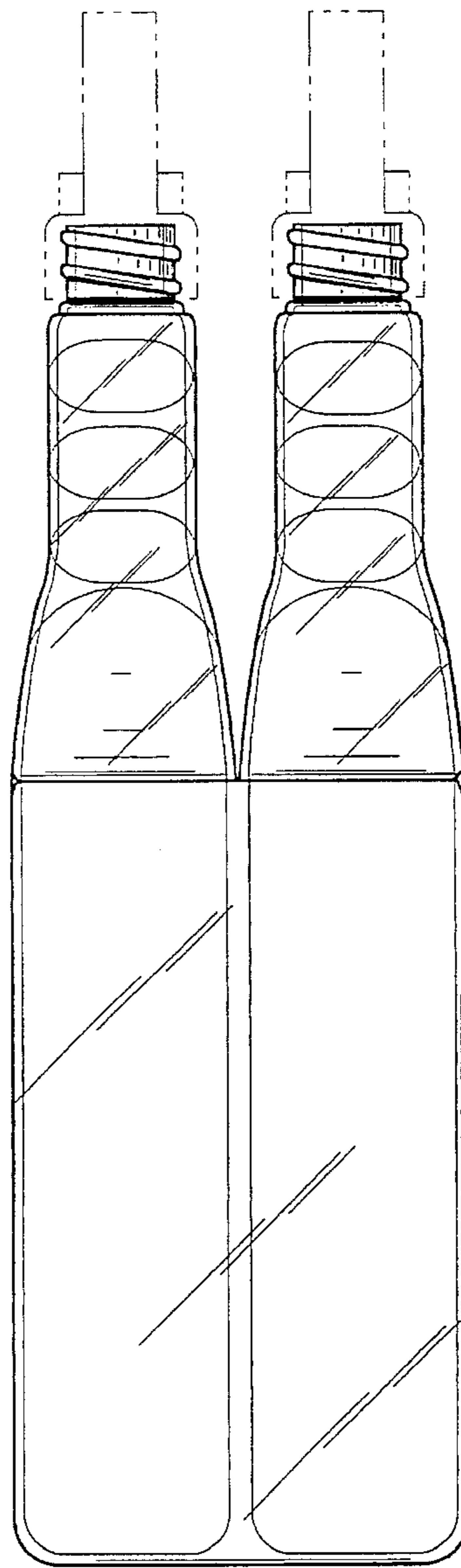
**FIG. 1**



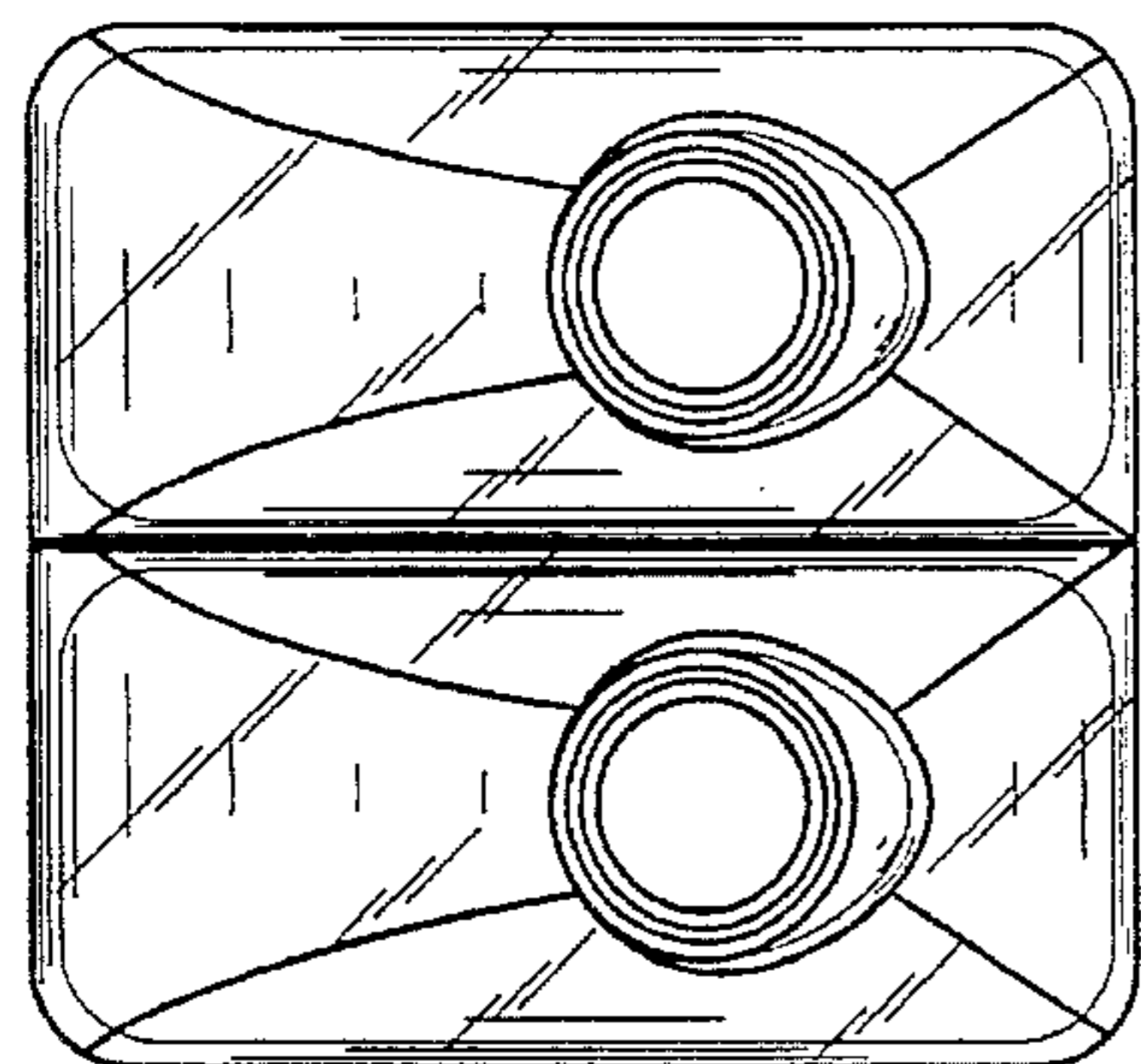
**FIG. 2**



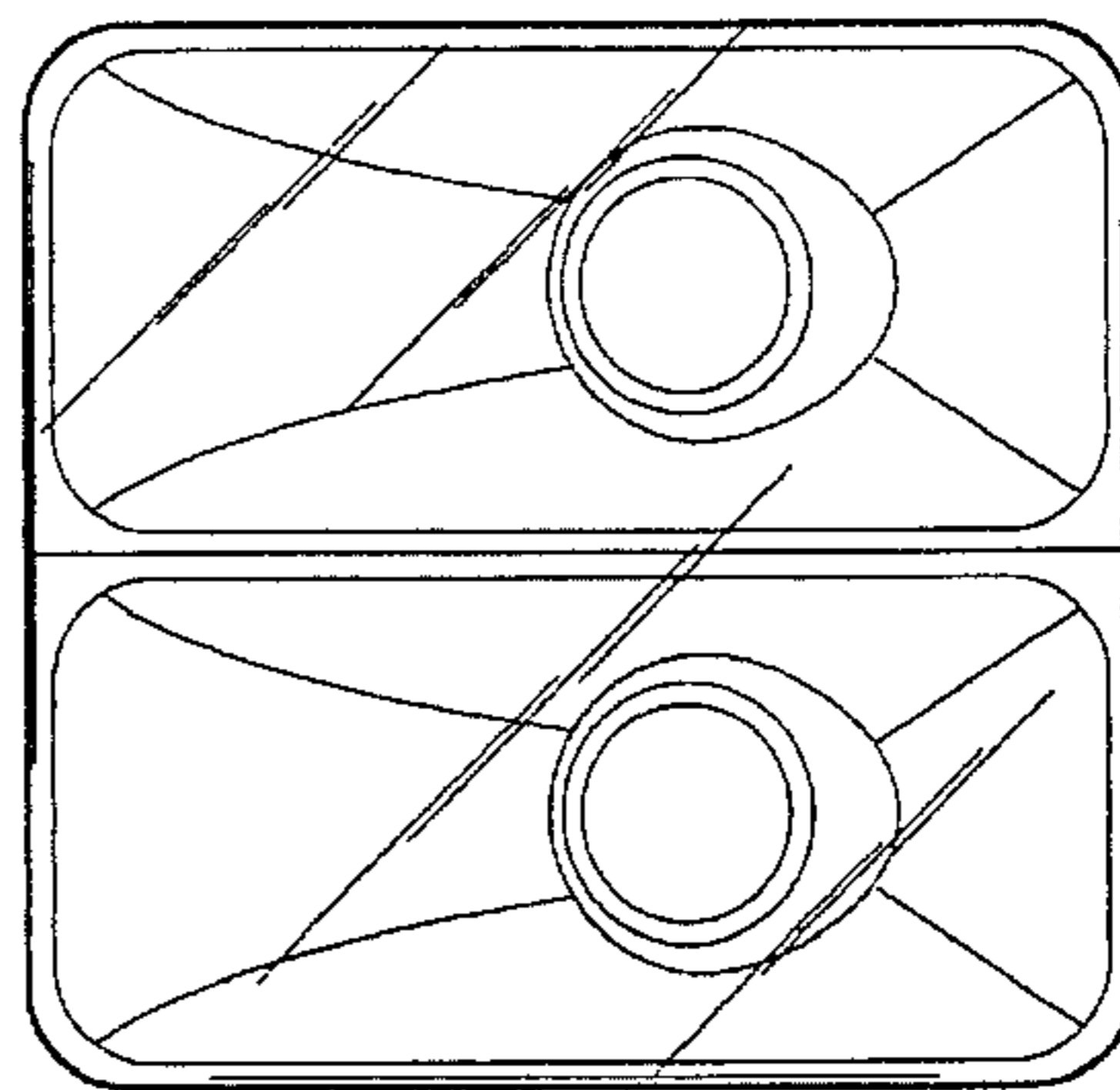
**FIG. 3**



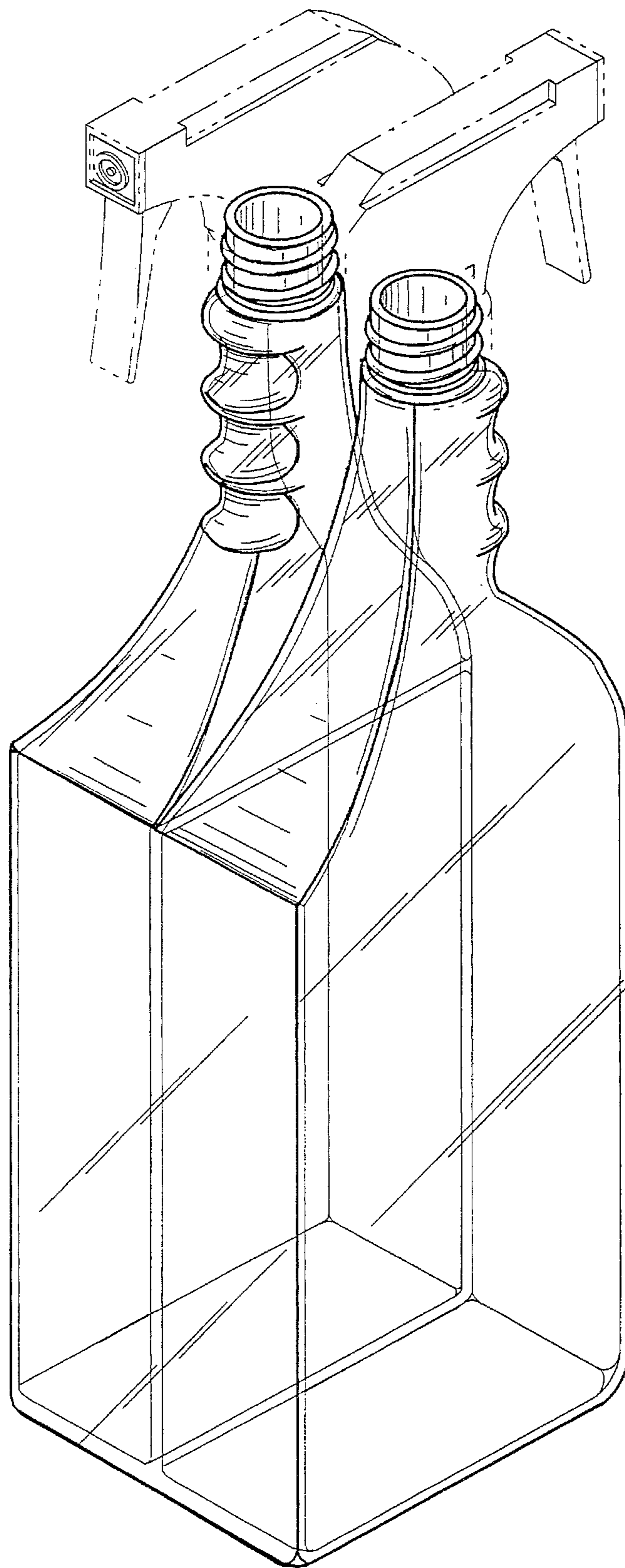
**FIG. 4**



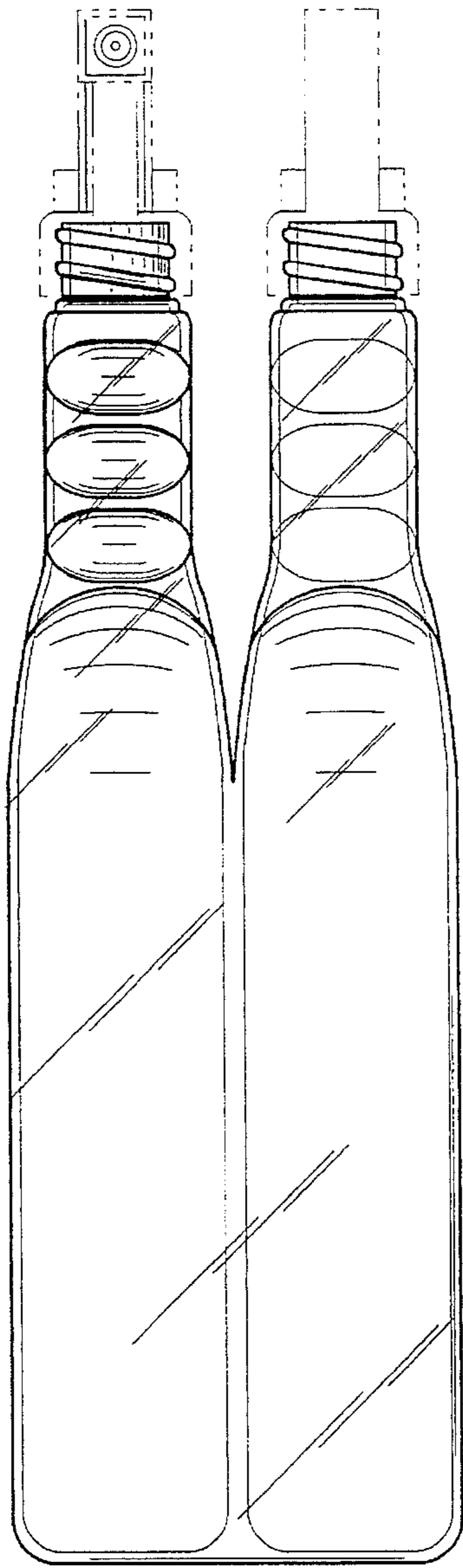
**FIG. 5**



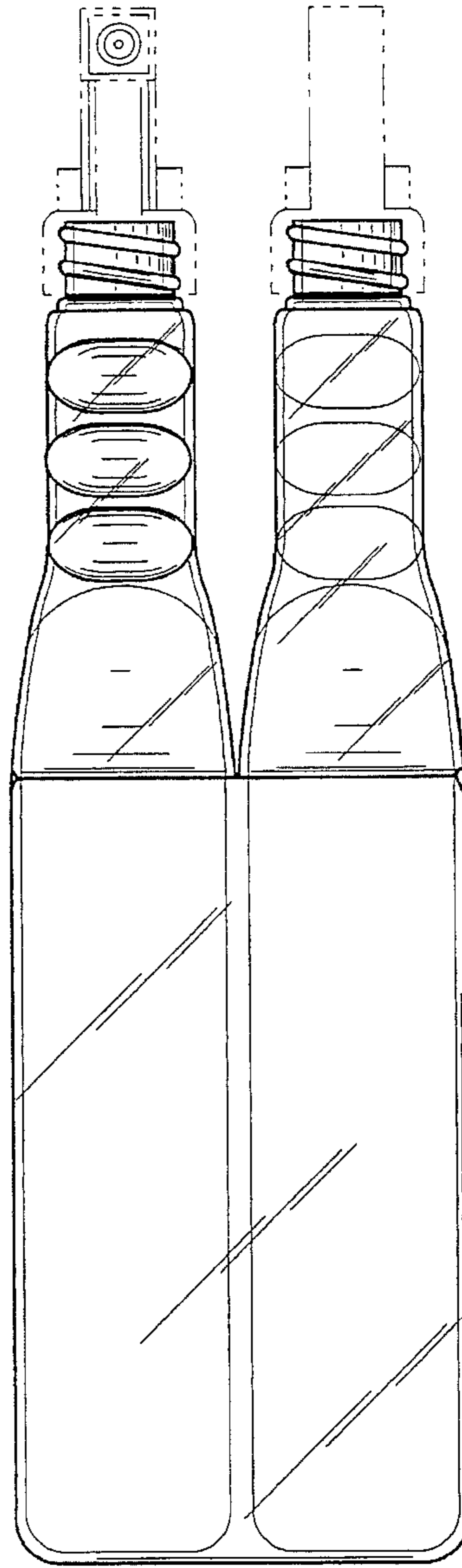
**FIG. 6**



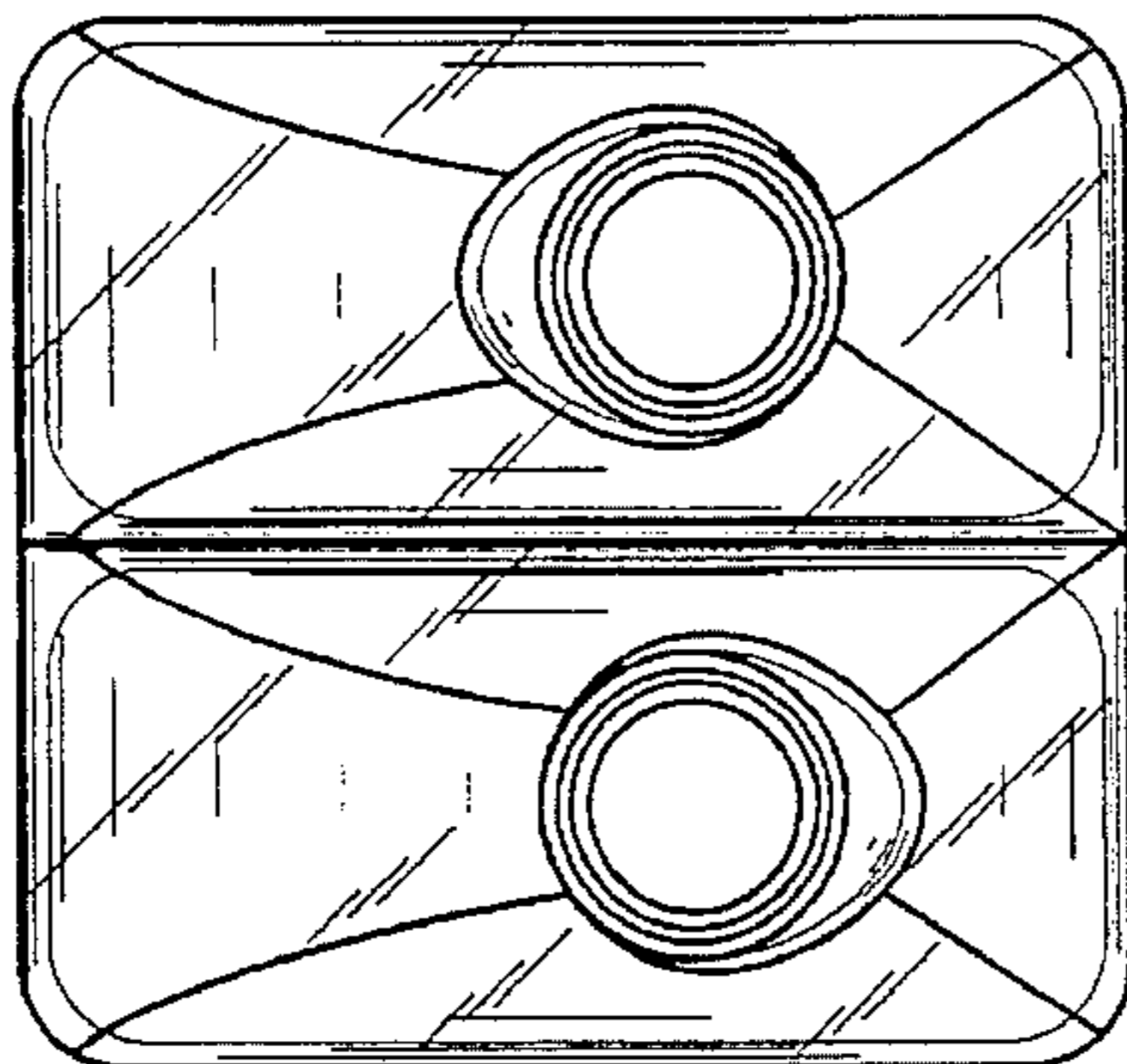
**FIG. 7**



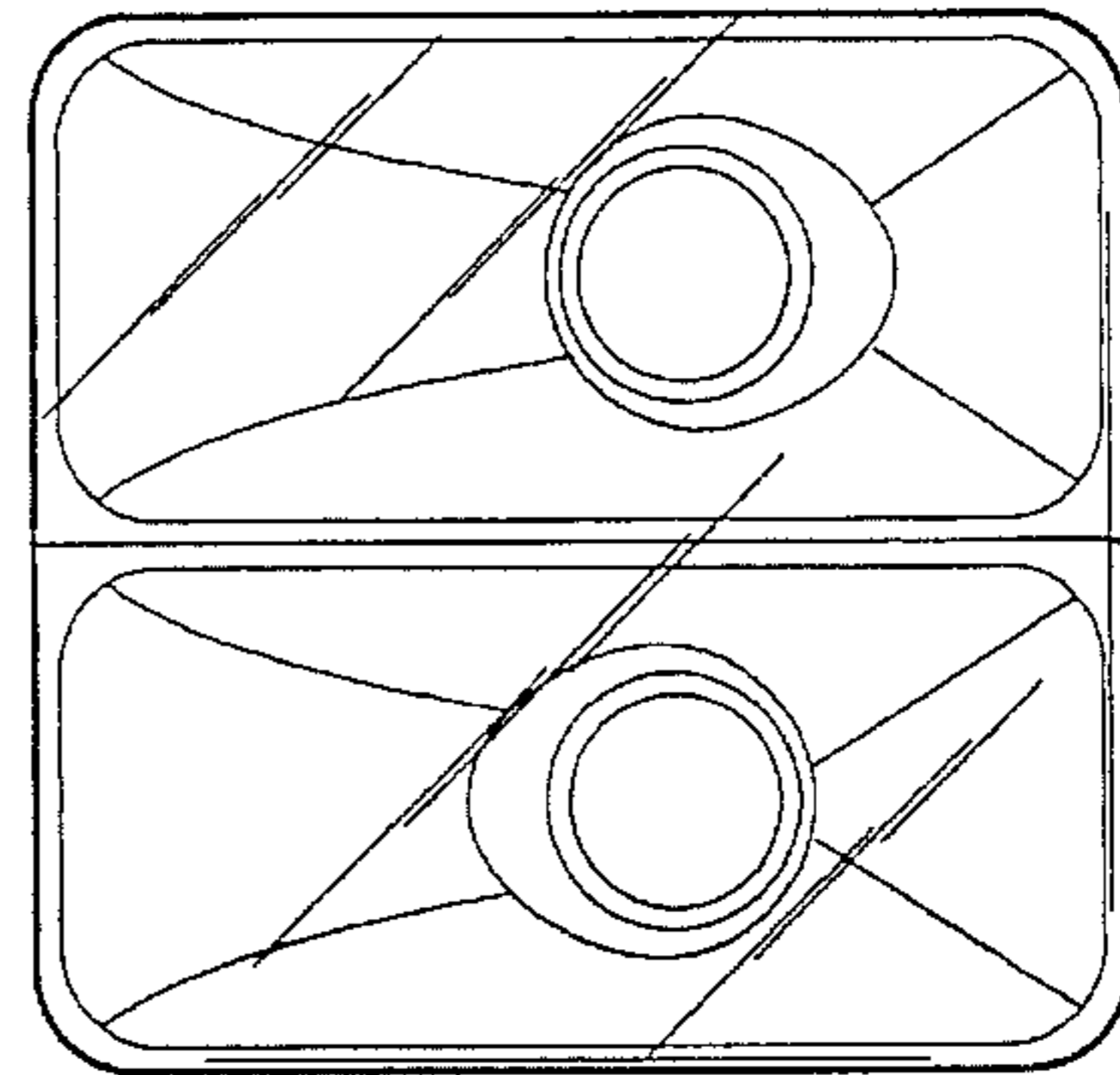
**FIG. 8**



**FIG. 9**



**FIG. 10**



**FIG. 11**