



US00D367002S

United States Patent [19] Grey

[11] Patent Number: **Des. 367,002**

[45] Date of Patent: ****Feb. 13, 1996**

[54] **RAILROAD LOCK NUT FASTENER**

[75] Inventor: **John J. Grey**, Berea, Ohio

[73] Assignee: **Barnes Group**, Bristol, Conn.

[**] Term: **14 Years**

[21] Appl. No.: **13,196**

[22] Filed: **Sep. 21, 1993**

[52] U.S. Cl. **D8/397**

[58] Field of Search D8/397, 399; 411/427,
411/428, 917, 918, 955

[56] **References Cited**

U.S. PATENT DOCUMENTS

168,483	10/1875	Hamilton .	
1,105,697	8/1914	Reynolds .	
1,726,532	9/1929	Andel	411/427
1,894,631	1/1933	Owen	411/955
1,922,689	8/1933	Linnenbruegge	411/427
2,147,211	2/1939	Olson	411/187
2,672,069	3/1954	Mitchell	411/368
2,727,551	12/1955	Rees	D8/397
2,985,898	5/1961	Goude	10/27
3,208,494	9/1965	Skidmore	151/21
3,221,790	12/1965	Poupitch	D8/399
3,812,757	5/1974	Reiland	85/61
4,360,154	11/1982	Collins	238/262
4,735,537	4/1988	Rath	411/411
4,837,090	6/1989	Hynier et al.	428/626

FOREIGN PATENT DOCUMENTS

1273146 5/1972 United Kingdom .

OTHER PUBLICATIONS

Arden Fasteners Catalog, 1986, p. 5, Mac Lean Fogg Advertisement, Lock Nuts.

Machine Design, The Fastener Book, 1960, p. 9, Standard Nut Styles Chart.

Machine Design, The Fastener Book, 1960, p. 114, Decker Weld Nut.

Machine Design, The Fastener Book, 1960, p. 138, Security Lock Nut.

"Maintenance of Way Fasteners Solutions", Textron Catalog, 1989, pp. III-5, III-6, III-9, VI-7 to VI-10.

Primary Examiner—Ted Shooman

Assistant Examiner—Philip Hyder

Attorney, Agent, or Firm—Vickers, Daniels & Young

[57] **CLAIM**

The ornamental design for a railroad lock nut fastener, as shown and described.

DESCRIPTION

FIG. 1 is a perspective view of a railroad lock nut fastener showing my new design;

FIG. 2 is a top plan view thereof;

FIG. 3 is an elevational view thereof; and,

FIG. 4 is a bottom plan view thereof.

1 Claim, 1 Drawing Sheet

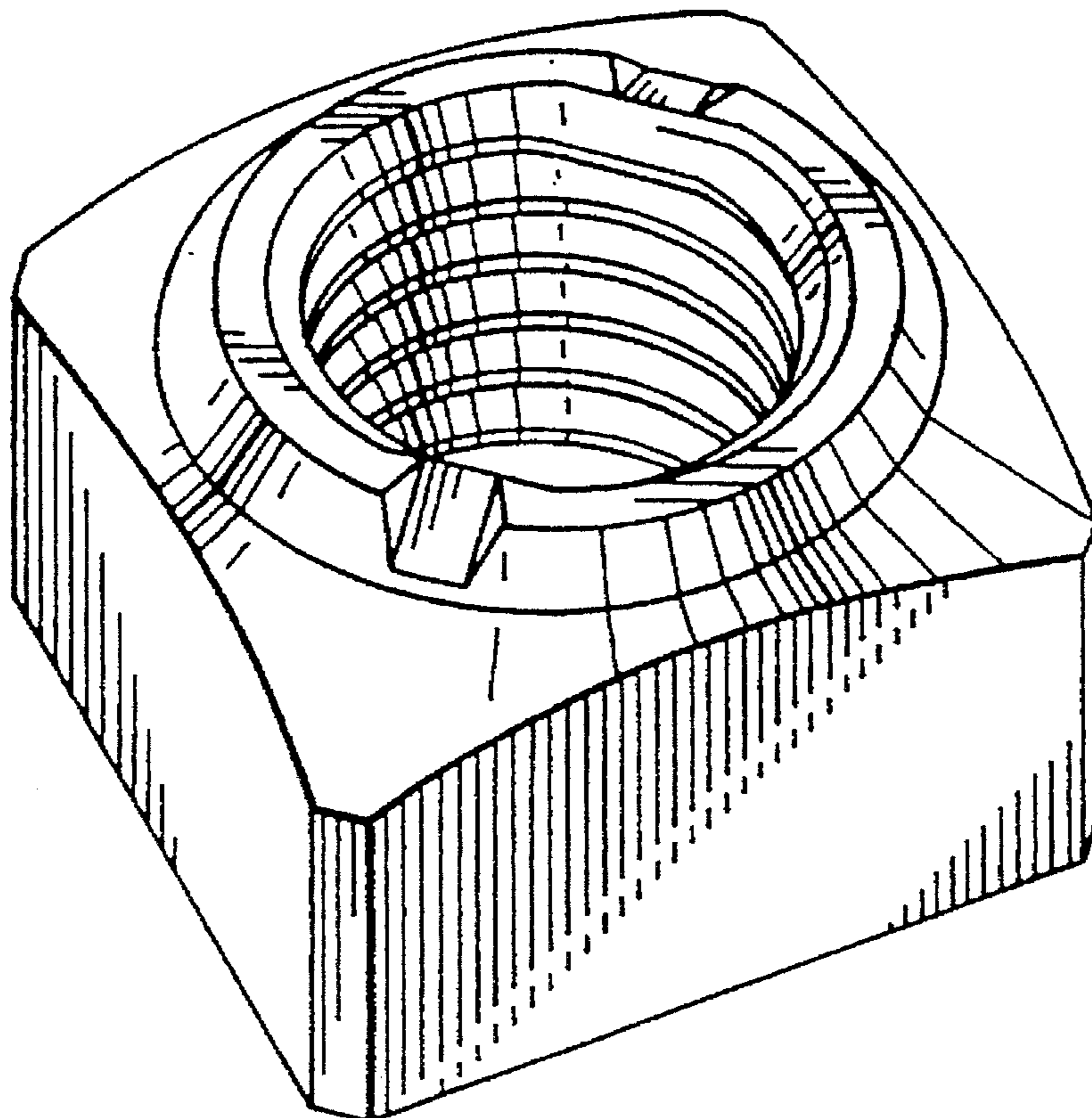


FIG. 1

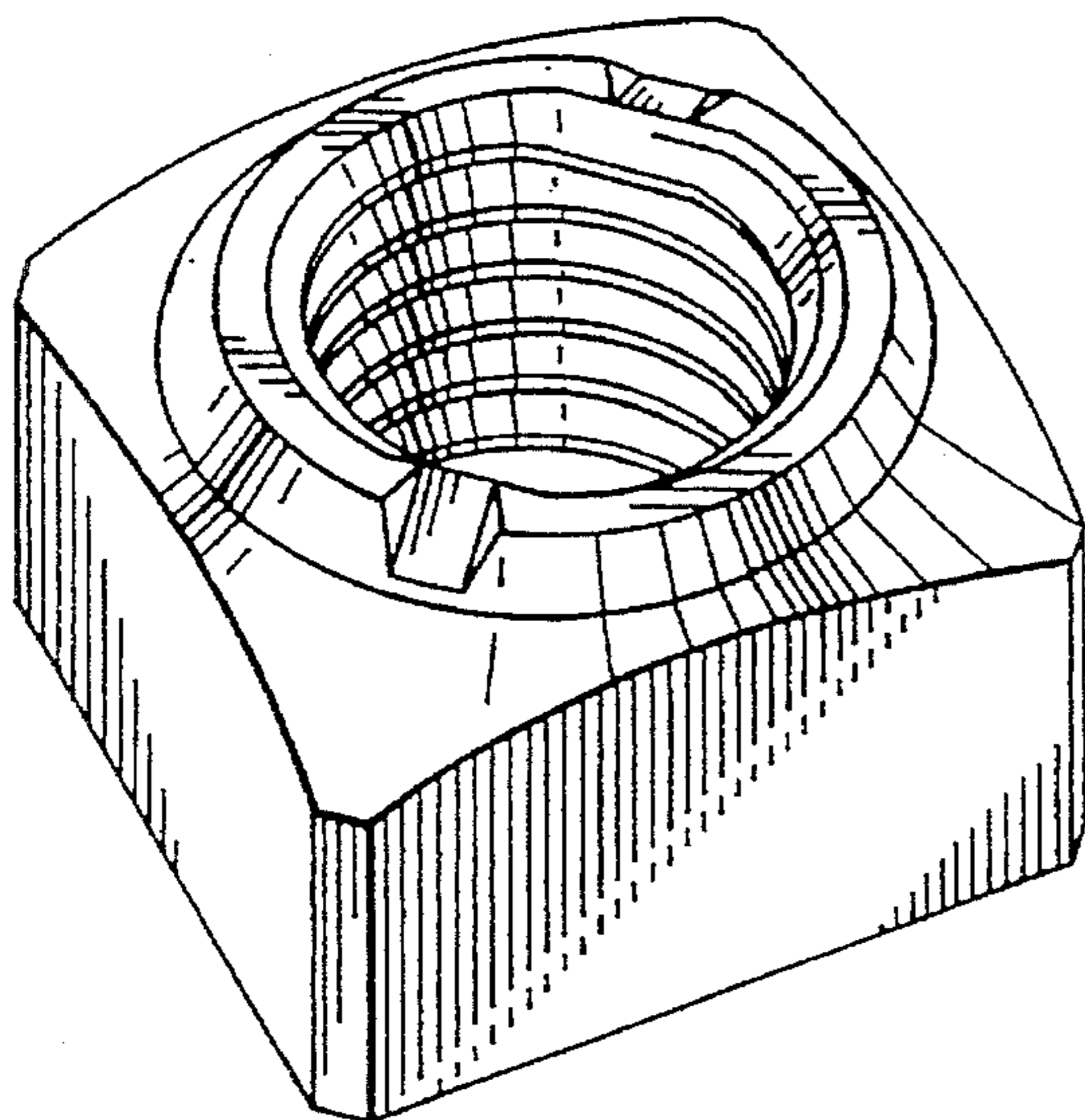


FIG. 2

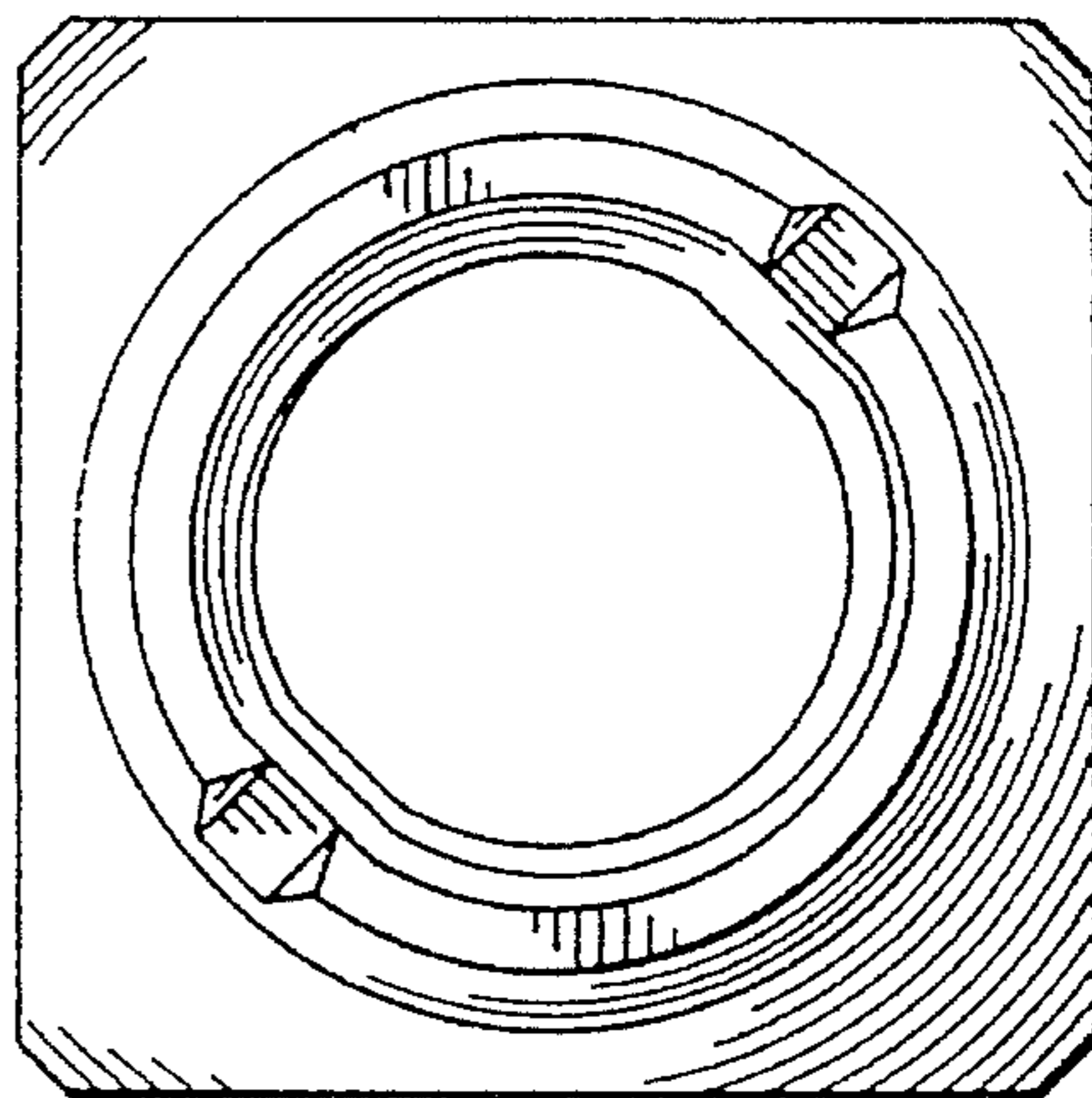


FIG. 3

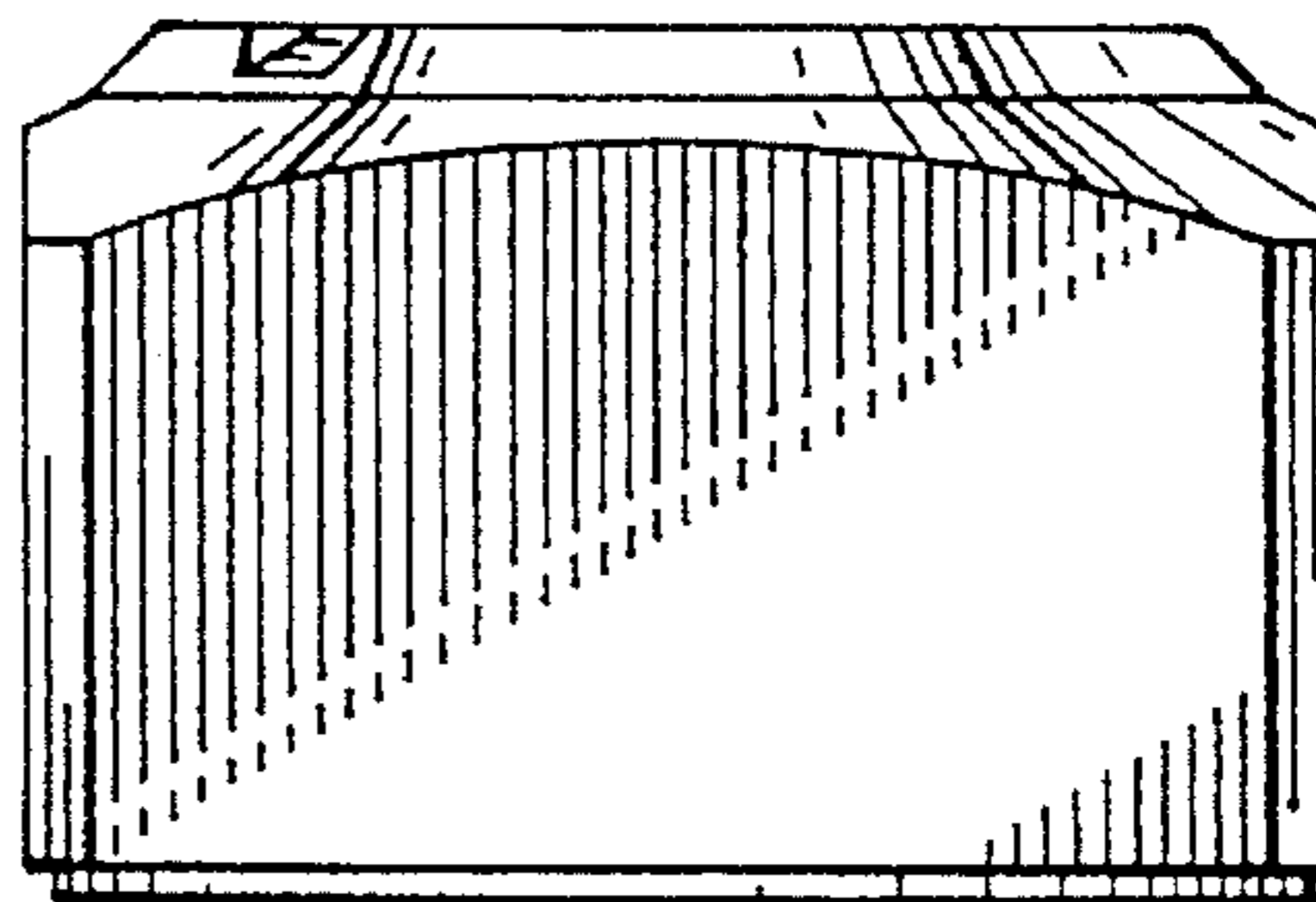


FIG. 4

