



US00D366999S

United States Patent [19]

[11] Patent Number: **Des. 366,999**

Ferdman

[45] Date of Patent: ****Feb. 13, 1996**

[54] CURTAIN HANGER

[76] Inventor: **Morris Ferdman**, 590 Steeprock Drive, Downsview, Ontario, Canada, M3J 2X1

[**] Term: **14 Years**

[21] Appl. No.: **32,482**

[22] Filed: **Dec. 20, 1994**

1,146,642	7/1915	Miser .
1,171,198	2/1916	Hellberg .
1,732,162	10/1929	Griner .
2,431,934	12/1947	Higgins .
2,470,233	5/1949	Boye .
2,532,255	11/1950	Davis .
2,596,835	5/1952	Benge .
2,692,018	10/1954	Palm .
3,108,723	10/1963	Hickey .
3,740,013	5/1973	Bentley .
4,958,646	9/1990	Hannerstag .

Related U.S. Application Data

[62] Division of Ser. No. 8,299, May 13, 1993, Pat. No. Des. 357,624.

[30] Foreign Application Priority Data

Nov. 13, 1992 [CA] Canada 13-11-92-6

[52] U.S. Cl. **D8/368**

[58] Field of Search D8/368-369, 370, D8/363; 160/348-350, 349.2; 248/302-303

FOREIGN PATENT DOCUMENTS

68245	3/1991	Canada .	
68244	3/1991	Canada .	
1196698	11/1959	France	248/304
8337252 U	4/1984	Germany .	
60739	2/1948	Netherlands .	
20736	of 1905	United Kingdom .	
26399	of 1913	United Kingdom .	

OTHER PUBLICATIONS

Holiday Gifts, 1974, p. 87, hanging bracket, circled at bottom left of page.

Two page extract from Swedecor (by AB A. Svensson & Co.): "The Spiral" and The Triple Spiral.

Primary Examiner—A. Hugo Word

Assistant Examiner—Holly Baynham

Attorney, Agent, or Firm—Bereskin & Parr

[57] CLAIM

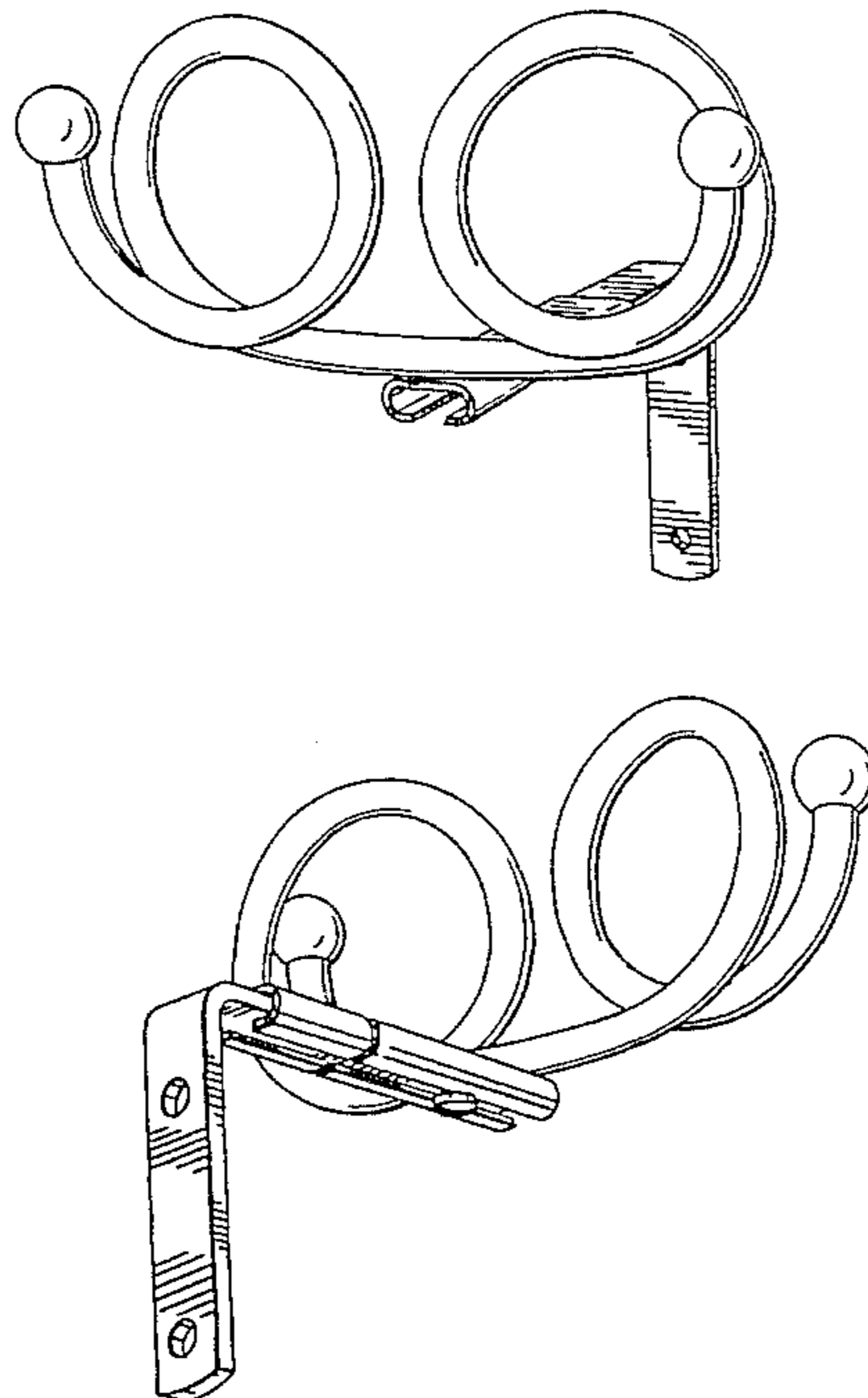
The ornamental design for a curtain hanger, as shown.

DESCRIPTION

FIG. 1 is a front, right perspective view of a curtain hanger showing my new design; and,

FIG. 2 is a rear perspective view thereof.

1 Claim, 1 Drawing Sheet



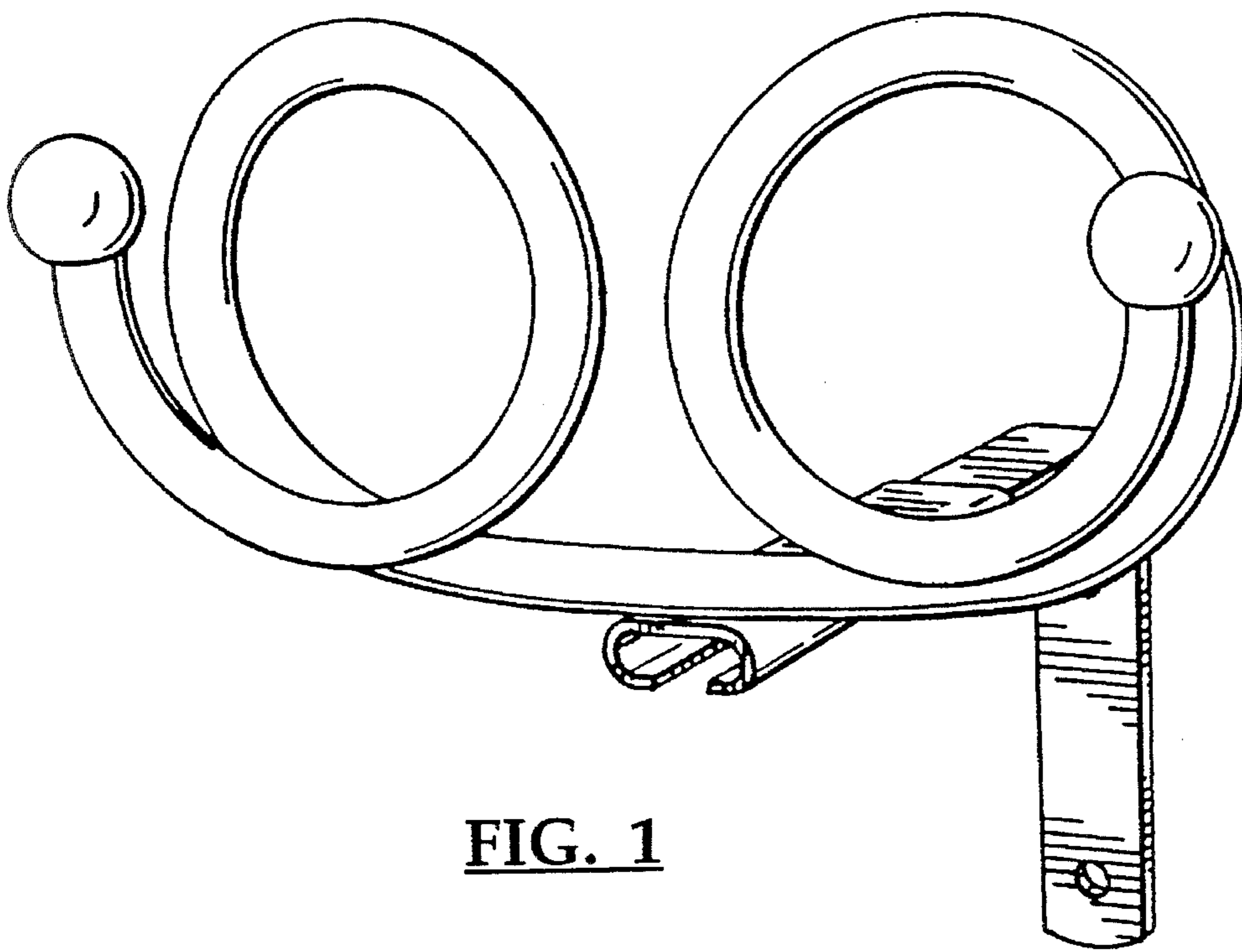


FIG. 1

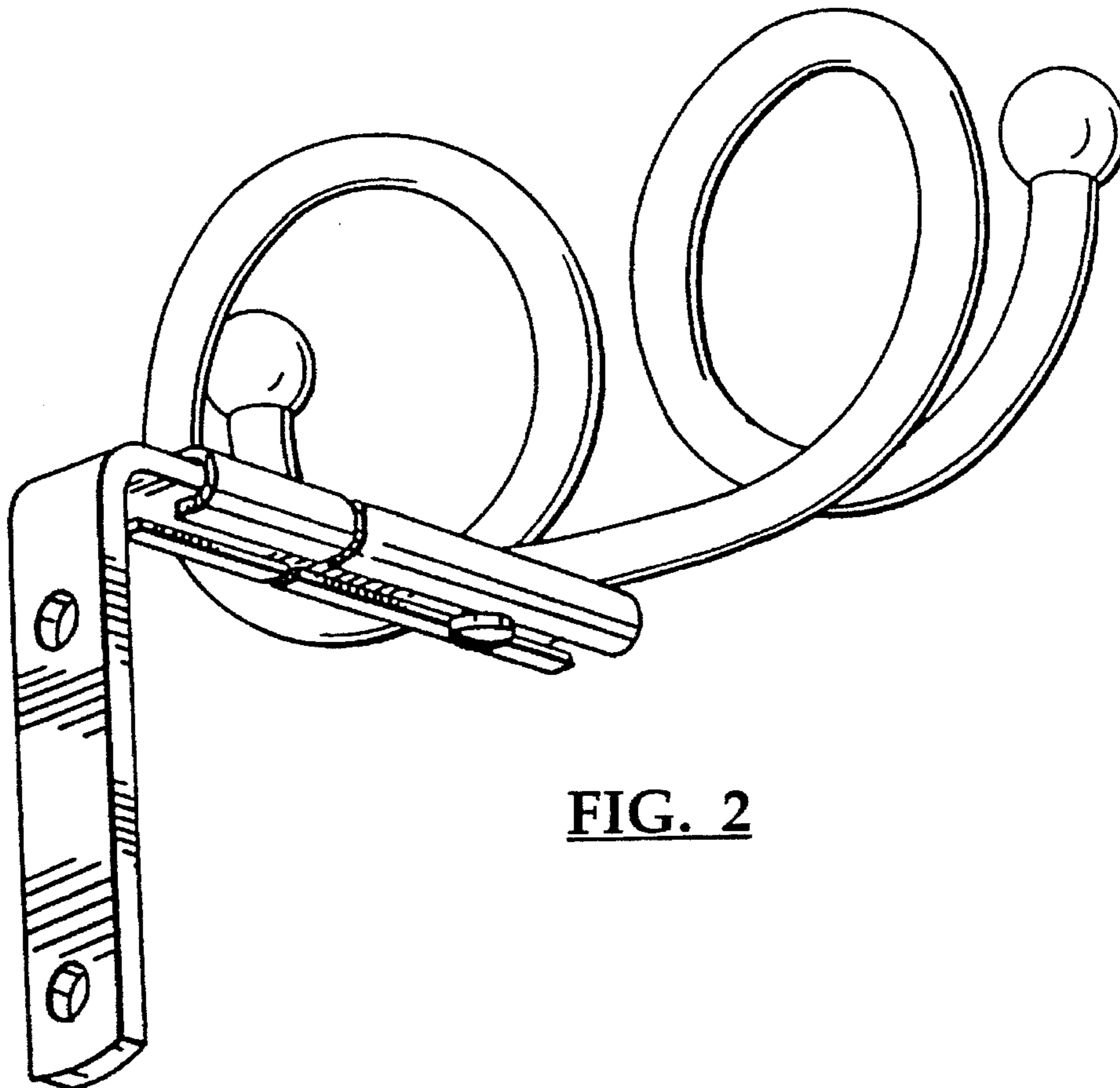


FIG. 2