



US00D366995S

United States Patent [19]

[11] Patent Number: **Des. 366,995**

Davis

[45] Date of Patent: ****Feb. 13, 1996**

[54] PAIR OF POUCH FORMING TOOL JAWS

Attorney, Agent, or Firm—James G. O'Neill

[75] Inventor: **Steven D. Davis**, Yuciappa, Calif.

[57] CLAIM

[73] Assignee: **W. A. Lane, Inc.**, San Bernardino, Calif.

The ornamental design for a pair of pouch forming tool jaws, as shown and described.

[**] Term: **14 Years**

DESCRIPTION

[21] Appl. No.: **31,684**

FIG. 1 is a top plan view of one of the jaws of the pair or pouch forming tool jaws of my new design, as shown in FIG. 2;

[22] Filed: **Dec. 2, 1994**

FIG. 2 is a front elevational view of a one of the jaws of the pair of pouch forming tool jaws of my new design;

[52] U.S. Cl. **D15/146**

FIG. 3 is a left side elevational view of FIG. 2, the right side elevational view being a mirror image;

[58] Field of Search D8/14; 53/373.7, 53/374.2, 562; 156/583.1; D15/146

FIG. 4 is a rear elevational view of FIG. 2;

[56] References Cited

FIG. 5 is a bottom plan view of FIG. 2;

U.S. PATENT DOCUMENTS

FIG. 6 is a top plan view of a second of the jaws of the pair of pouch forming tool jaws of my new design, as shown in FIG. 7;

D. 356,015	3/1995	Lane et al.	D8/14
3,597,587	8/1971	Baum	53/374.2 X
4,079,570	3/1978	Rucker	53/374.2 X
4,582,555	4/1986	Bower	53/374.2 X
4,586,317	5/1986	Bussell	53/374.2 X
4,807,426	2/1989	Smith	53/374.2 X
5,207,049	5/1993	Bruffato et al.	53/374.2 X
5,268,058	12/1993	Cornwell	156/583.1

FIG. 7 is a front elevational view of a second of the jaws of the pair of pouch forming tool jaws of my new design;

FOREIGN PATENT DOCUMENTS

212218	12/1960	Austria	53/374.2
1341154	12/1973	United Kingdom	53/374.2

FIG. 8 is a left side elevational view of FIG. 7, the right side elevational view being a mirror image;

Primary Examiner—Ted Shooman
Assistant Examiner—Richelle Shelton

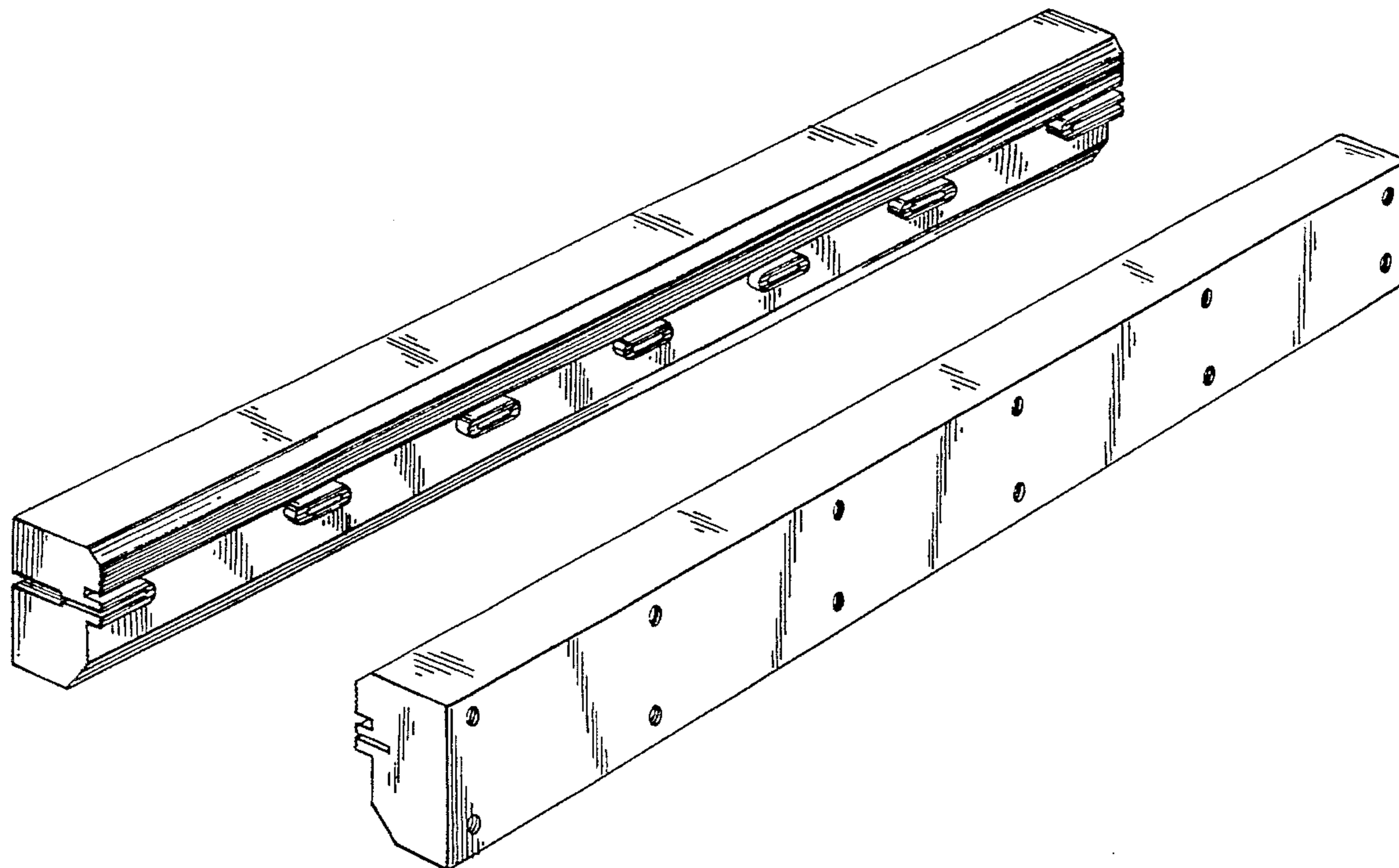
FIG. 9 is a rear elevational view of FIG. 7;

FIG. 10 is a bottom plan view of FIG. 7; and,

FIG. 11 is a perspective view of both jaws of the pair of pouch forming tool jaws of my new design.

The jaws in FIG. 1–10 are shown independently for clarity of illustration.

1 Claim, 3 Drawing Sheets



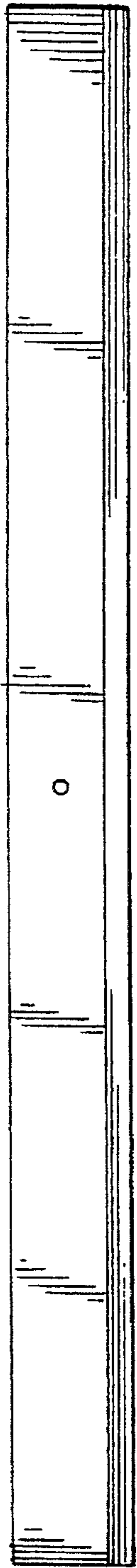


FIG. 1

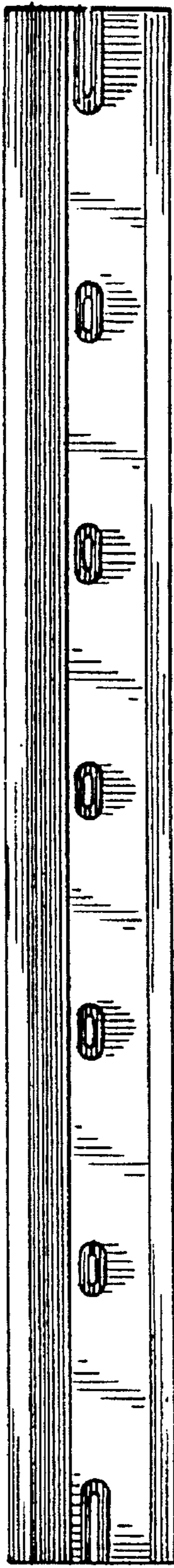


FIG. 2

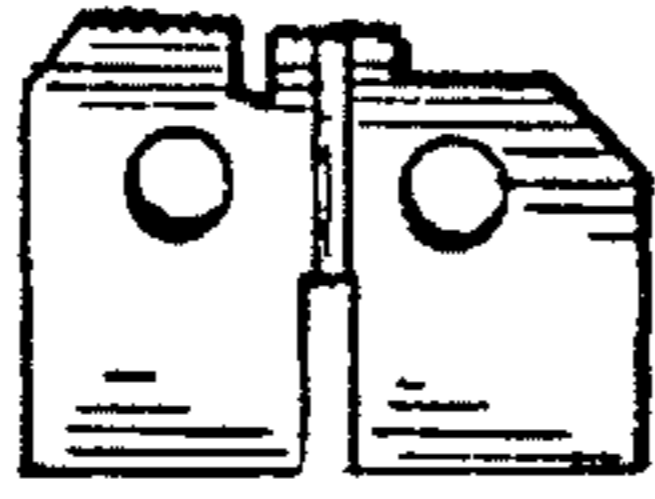


FIG. 3

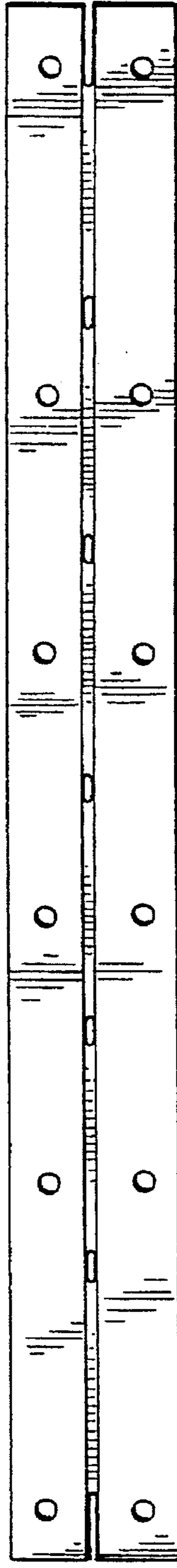


FIG. 4

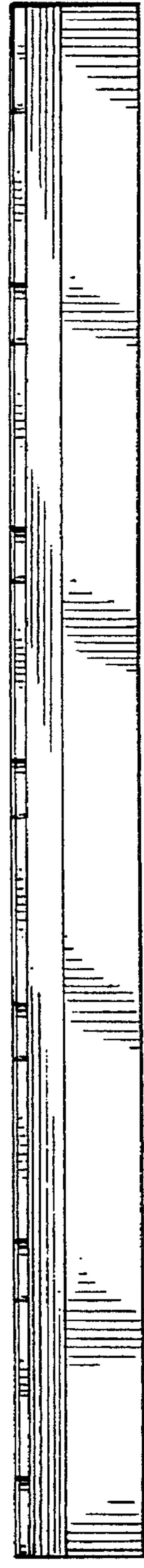


FIG. 5

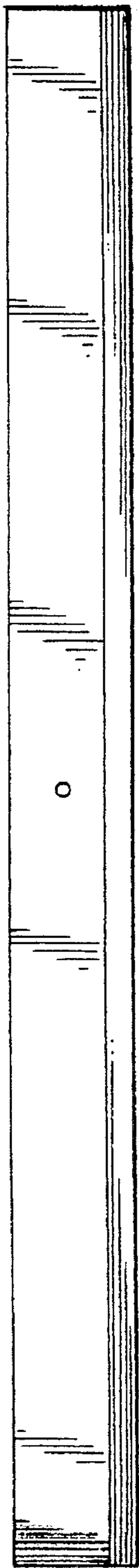


FIG. 6

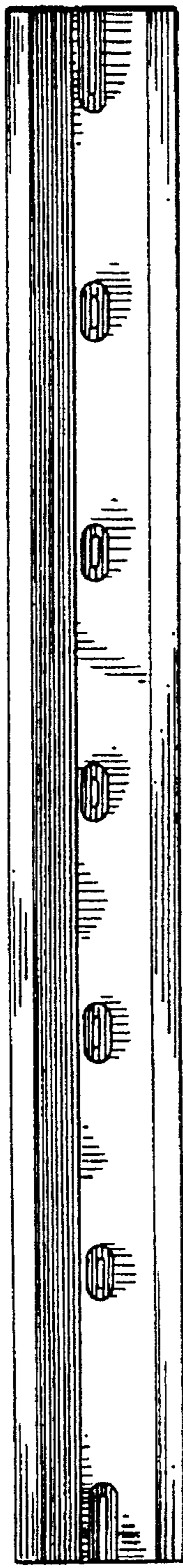


FIG. 7

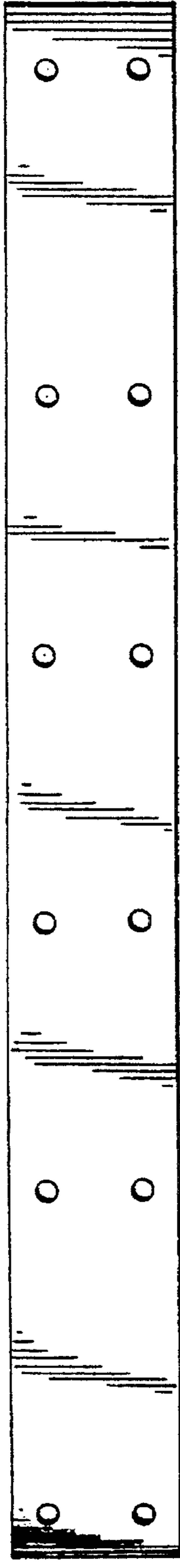


FIG. 9



FIG. 10

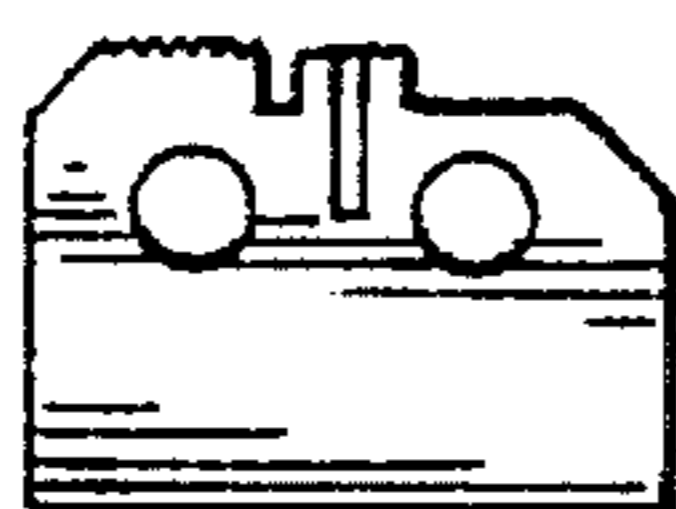


FIG. 8

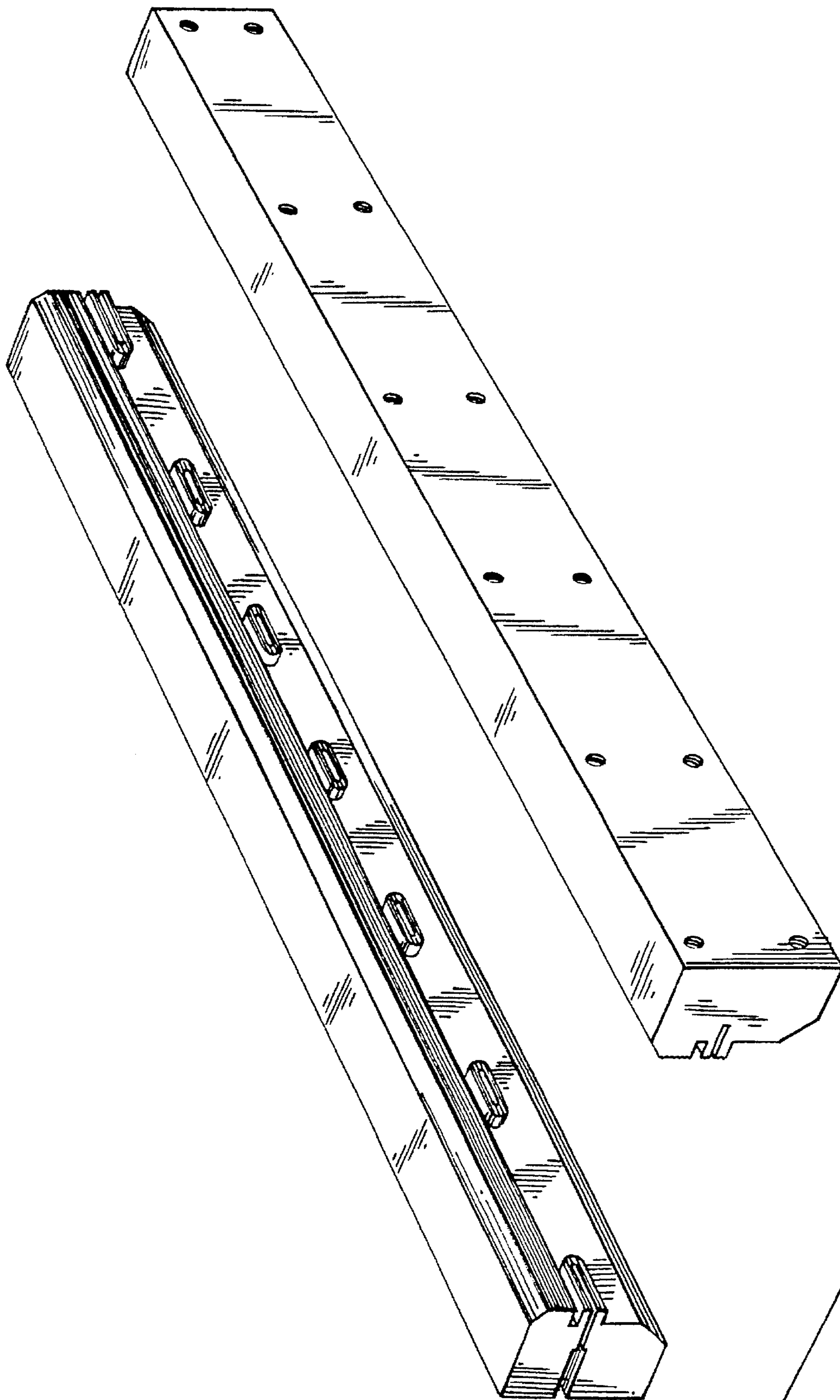


FIG. 11