



US00D366993S

United States Patent [19]

[11] Patent Number: **Des. 366,993**

Fielding et al.

[45] Date of Patent: ****Feb. 13, 1996**

[54] **FOOD BASTING TOOL**

2,234,884 3/1941 Teel D7/669 X

[75] Inventors: **Douglas R. Fielding; Charles S. Adams**, both of Berkeley, Calif.

Primary Examiner—Terry A. Wallace
Attorney, Agent, or Firm—Owen, Wickersham & Erickson

[73] Assignee: **Charcoal Companion, Inc.**, Oakland, Calif.

[57] **CLAIM**

[**] Term: **14 Years**

The ornamental design for food basting tool, as shown and described.

[21] Appl. No.: **34,256**

DESCRIPTION

[22] Filed: **Jan. 31, 1995**

FIG. 1 is a view in perspective of a food basting tool showing our new design;

[52] U.S. Cl. **D7/669**

FIG. 2 is a front elevational view thereof which is the same as the rear elevational view thereof;

[58] Field of Search D7/669; 99/345, 99/346, 483, 534; 239/327, 566

FIG. 3 is a top plan view thereof;

FIG. 4 is a bottom plan view thereof;

[56] **References Cited**

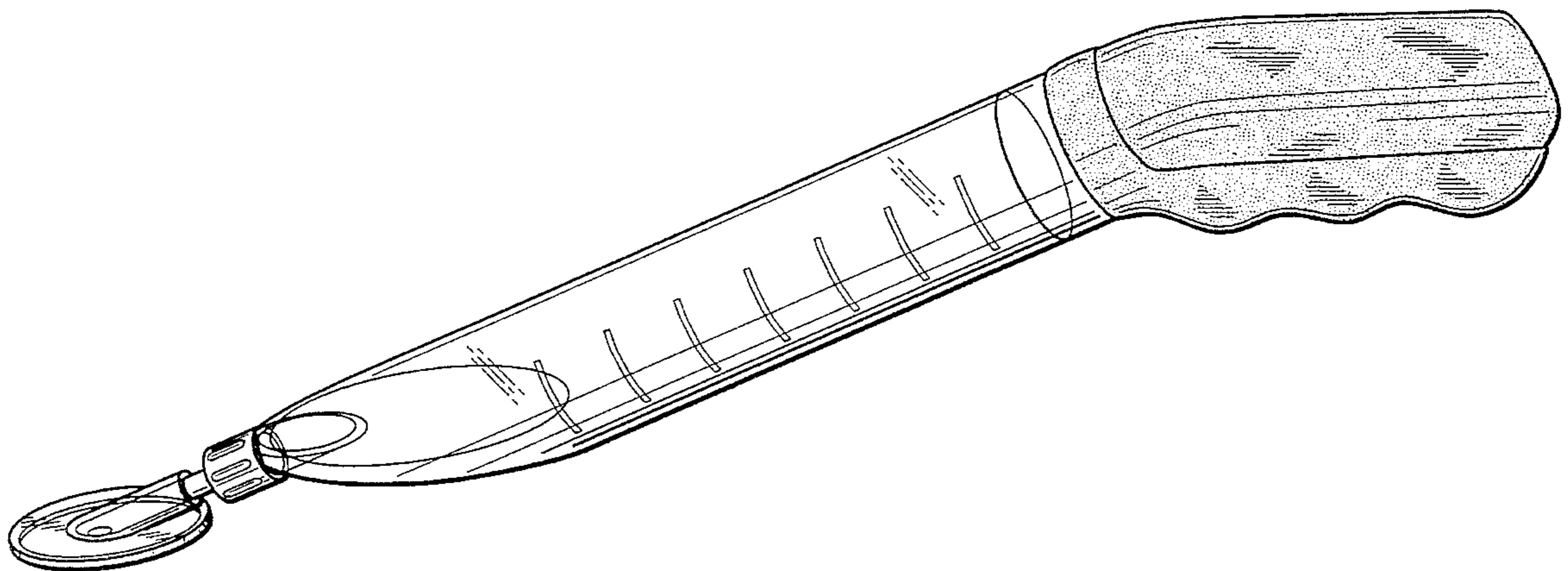
FIG. 5 is a rear end view in elevation thereof; and,

FIG. 6 is a front end view in elevation thereof.

U.S. PATENT DOCUMENTS

D. 192,039 1/1962 Jones et al. D7/669 X

1 Claim, 2 Drawing Sheets



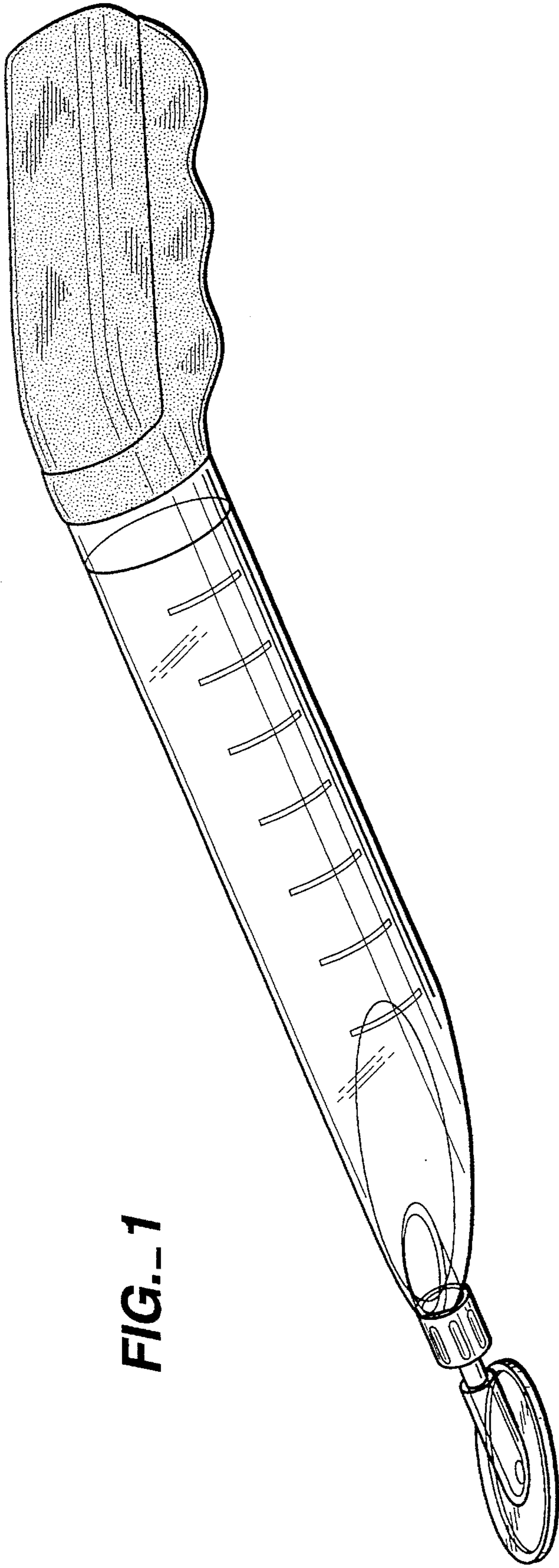


FIG.-1

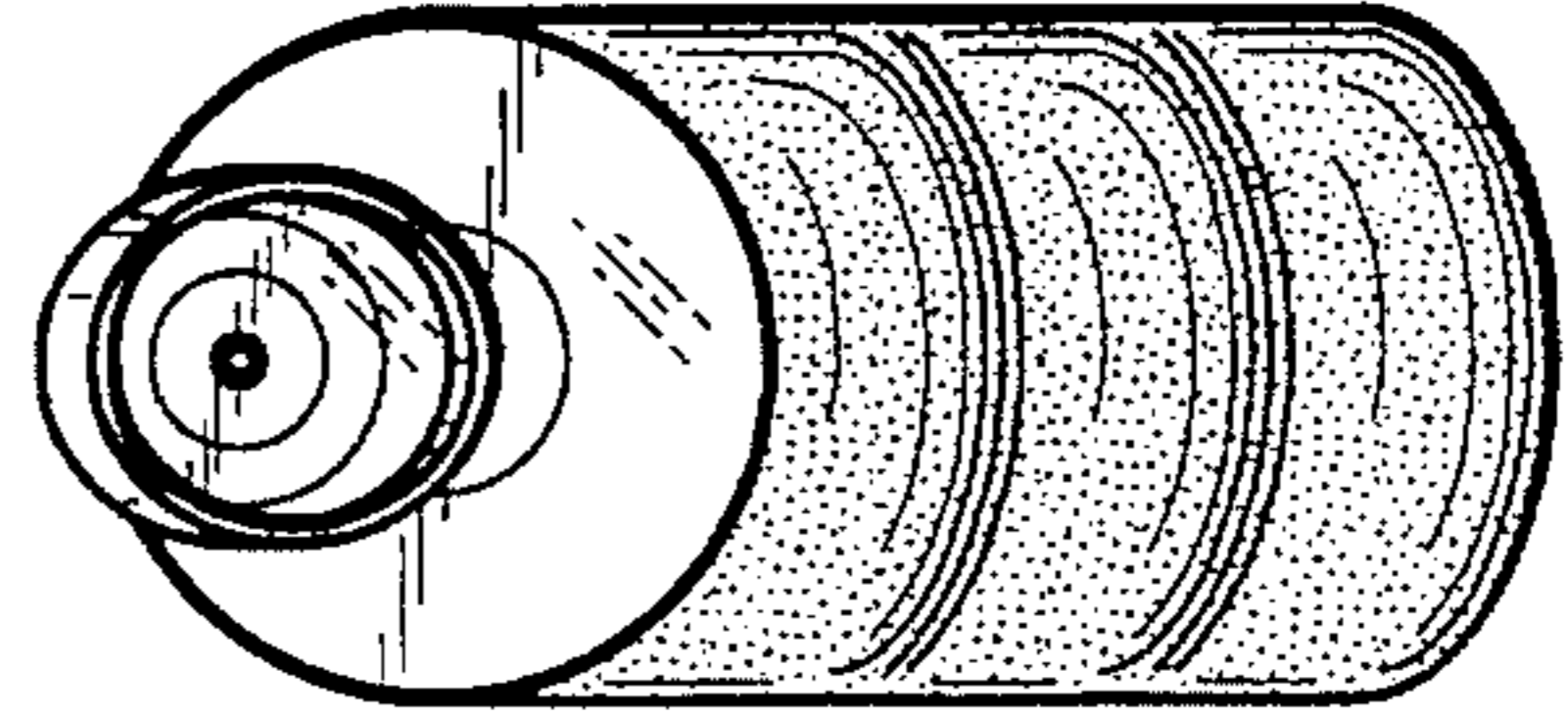


FIG.-6

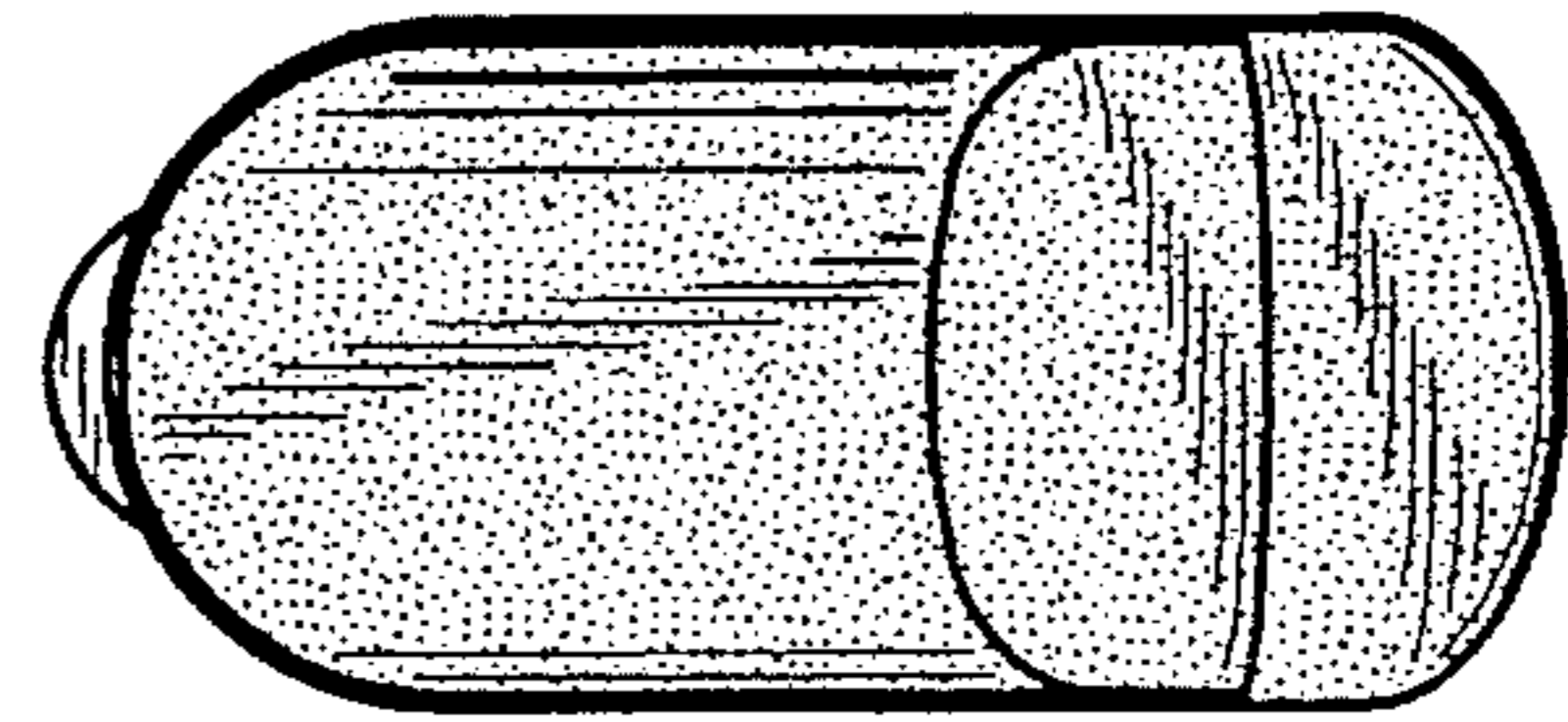


FIG.-5

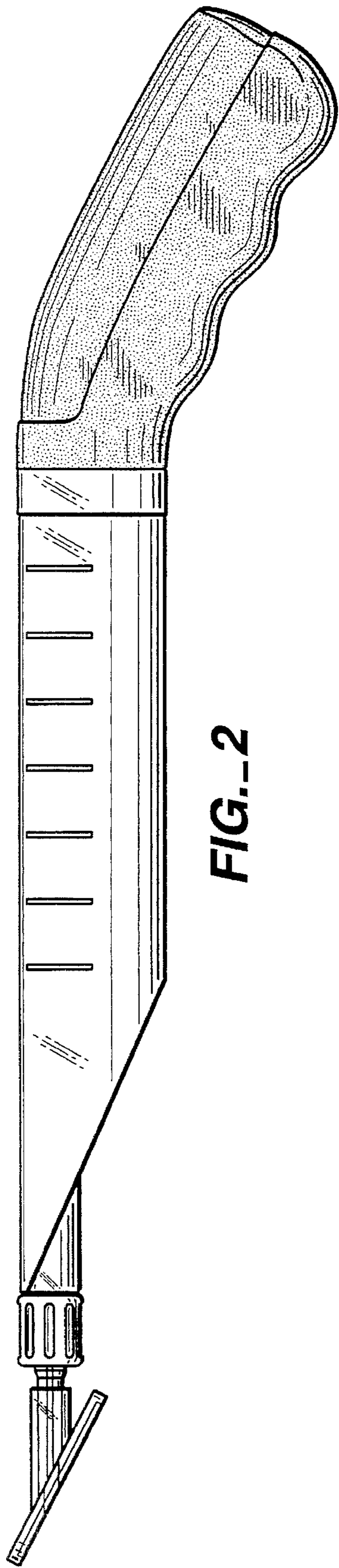


FIG. 2

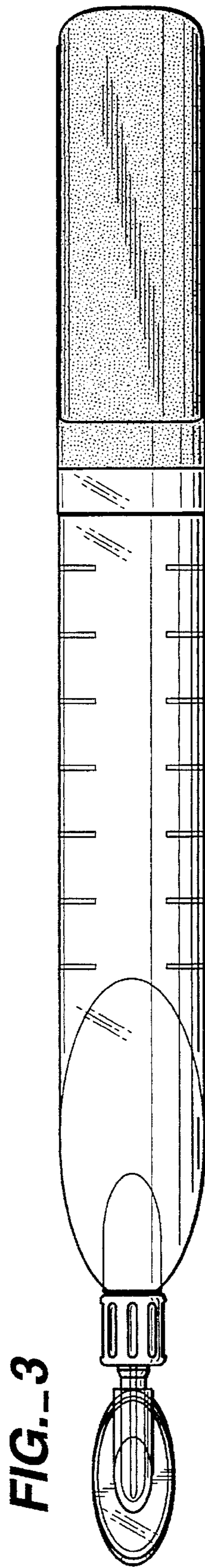


FIG. 3

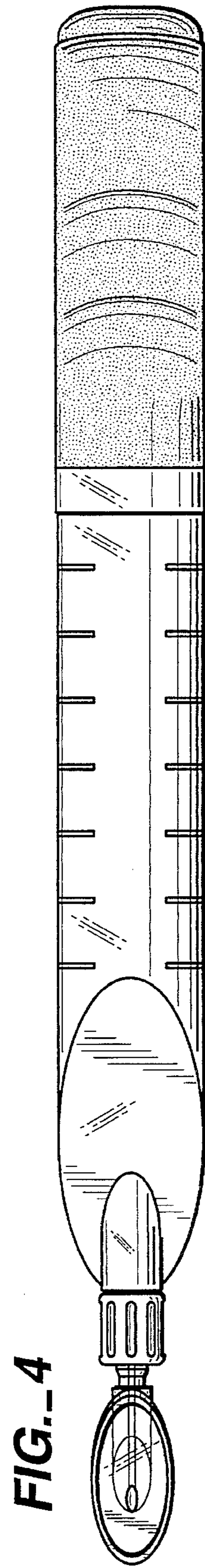


FIG. 4