



US00D366992S

United States Patent [19]
Ruck

[11] **Patent Number: Des. 366,992**

[45] **Date of Patent: **Feb. 13, 1996**

[54] **JUICE REAMER**

[75] Inventor: **Robin W. Ruck**, Southbury, Conn.

[73] Assignee: **Dynamics Corporation of America Through Waring Products Division**, New Hartford, Conn.

[**] Term: **14 Years**

[21] Appl. No.: **32,738**

[22] Filed: **Dec. 27, 1994**

[52] U.S. Cl. **D7/665**

[58] Field of Search D7/665, 693, 372,
D7/414; 99/495-497, 506-508

[56] **References Cited**

U.S. PATENT DOCUMENTS

D. 27,948 12/1897 Blake D7/665

D. 118,640 1/1940 Majewski, Jr. D7/665 X
415,049 11/1889 Manny D7/665 X
2,212,328 8/1940 Scurlock D7/665 X
3,180,383 4/1965 Nudell D7/693 X

Primary Examiner—Terry A. Wallace
Attorney, Agent, or Firm—McCormick, Paulding & Huber

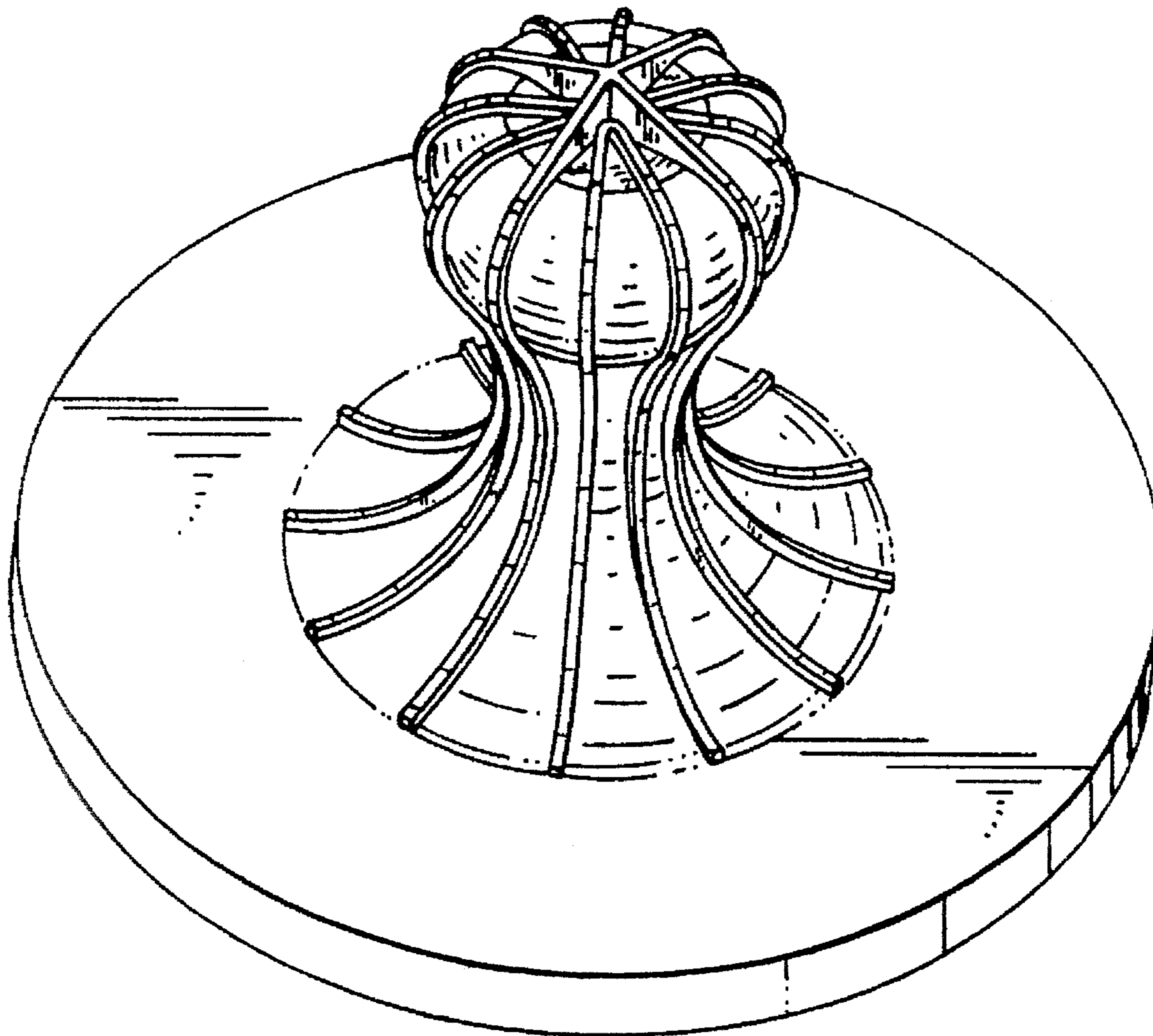
[57] **CLAIM**

The ornamental design for a juice reamer, as shown and described.

DESCRIPTION

FIG. 1 is a perspective view of a juice reamer showing my new design;
FIG. 2 is a top plan view thereof;
FIG. 3 is a bottom plan view thereof; and,
FIG. 4 is a front elevation view thereof, the remaining sides being identical.

1 Claim, 2 Drawing Sheets



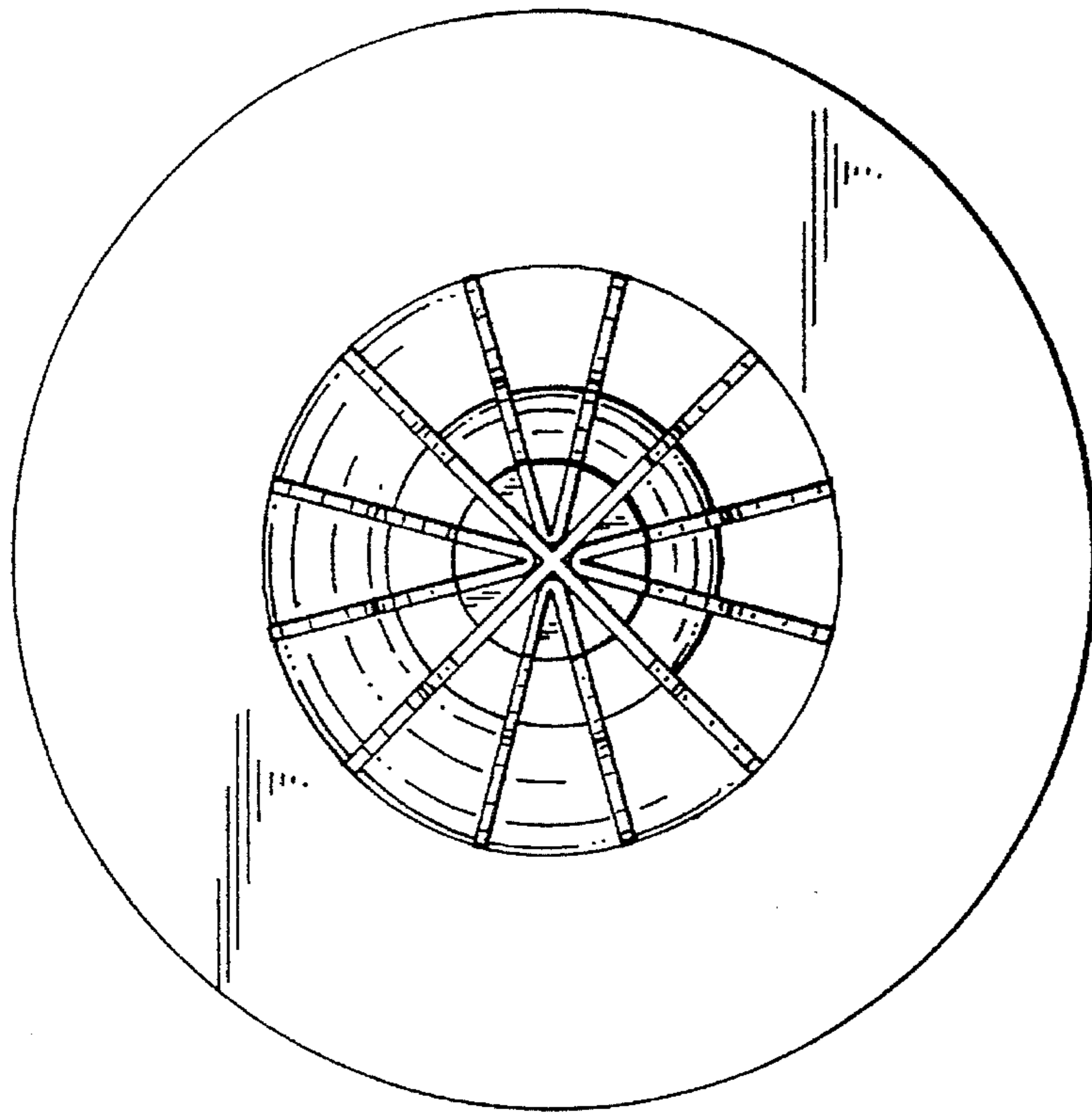


FIG. 2

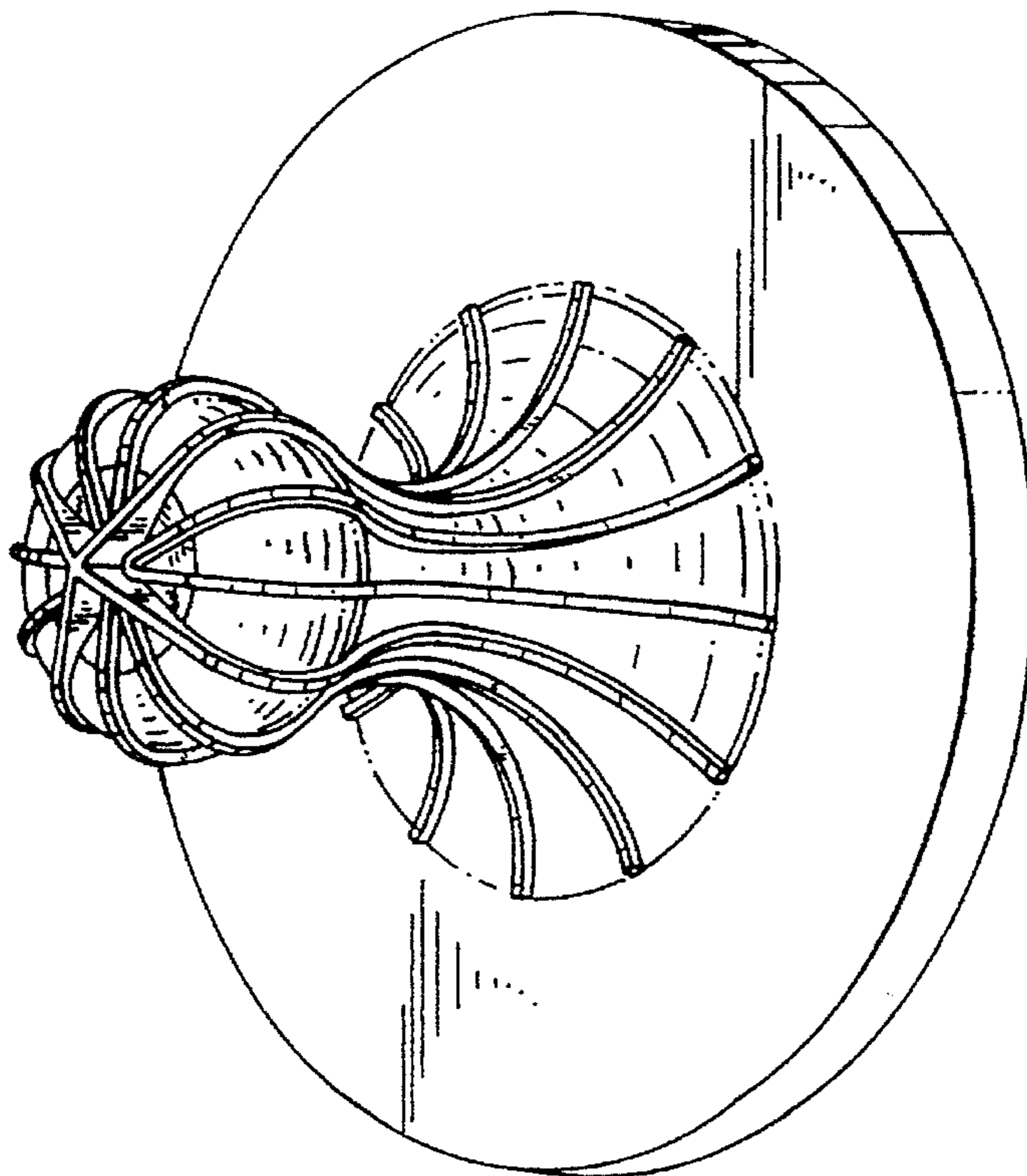


FIG. 1

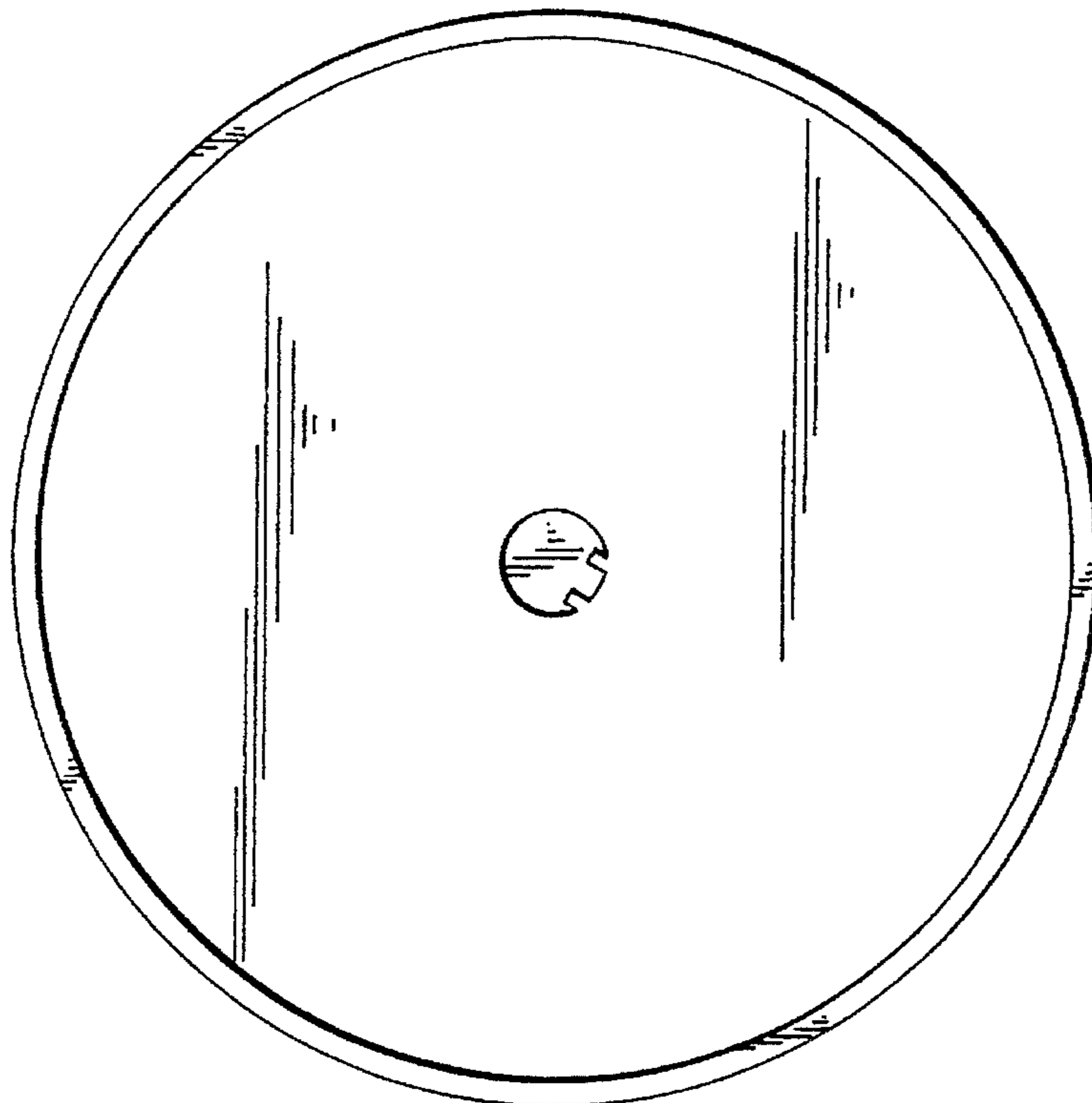


FIG. 3

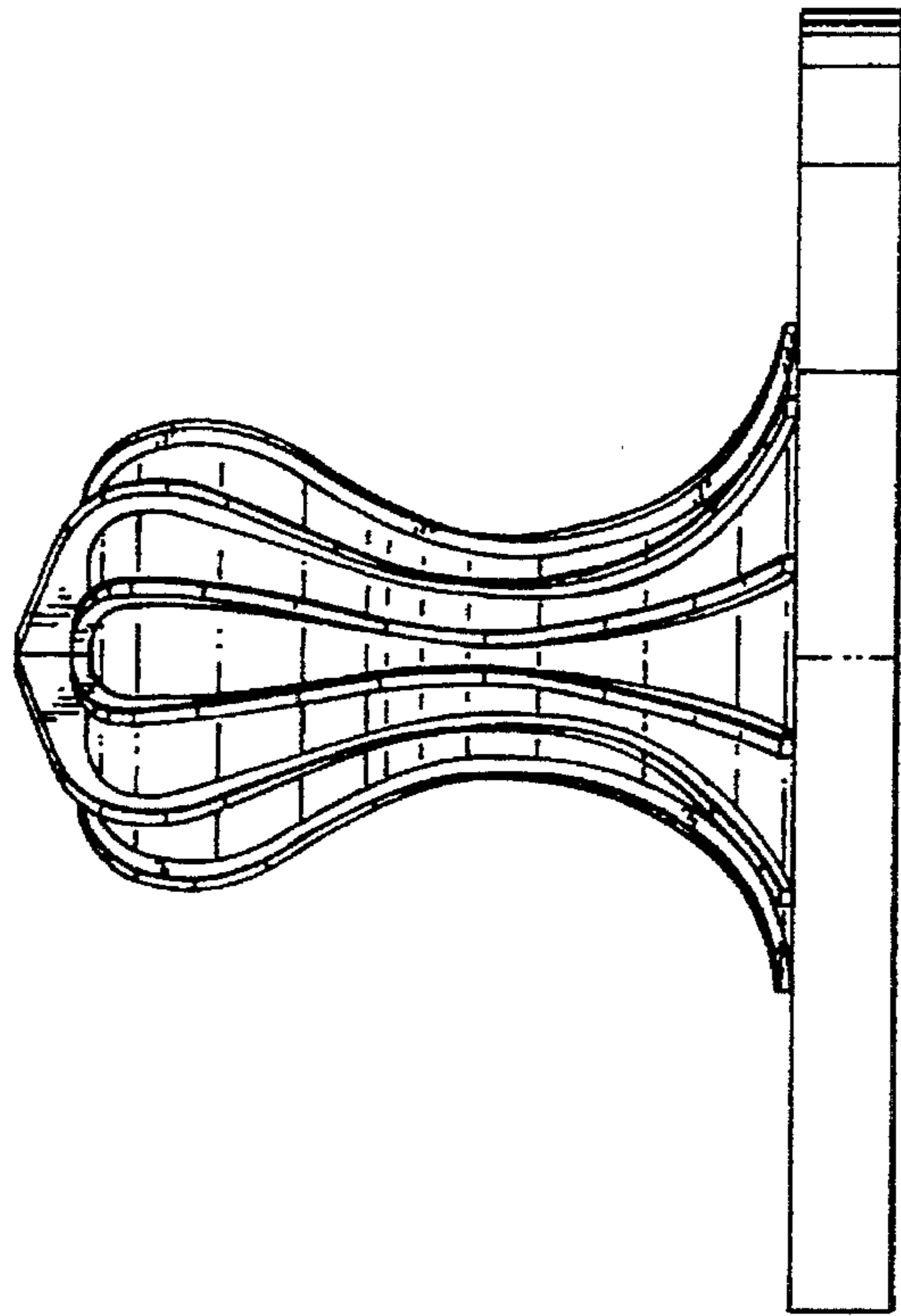


FIG. 4