



US00D366990S

United States Patent [19]
Cheung

[11] **Patent Number: Des. 366,990**
[45] **Date of Patent: **Feb. 13, 1996**

[54] **CUTLERY STAND**

[76] Inventor: **Gary Cheung**, 23 Mount Stephen Street, Toronto, Ontario, Canada, M4M 1T2

[**] Term: **14 Years**

[21] Appl. No.: **26,375**

[22] Filed: **Jul. 27, 1994**

[30] **Foreign Application Priority Data**

Feb. 3, 1994 [CA] Canada 1994-0168

[52] **U.S. Cl.** **D7/637**

[58] **Field of Search** D7/637-641; 211/70.6, 211/70.7, 70.8, 87; 248/37.3, 37.6

[56] **References Cited**

U.S. PATENT DOCUMENTS

4,071,212 1/1978 Burrows et al. D7/637 X
4,966,339 10/1990 Lu 248/37.3

Primary Examiner—Terry A. Wallace

[57] **CLAIM**

The ornamental design for a cutlery stand, as shown.

DESCRIPTION

FIG. 1 is a bottom, front, perspective view of a cutlery stand showing my new design; FIG. 2 is a top, front, left side perspective view thereof; and, FIG. 3 is a top, front, right side perspective view thereof.

1 Claim, 1 Drawing Sheet

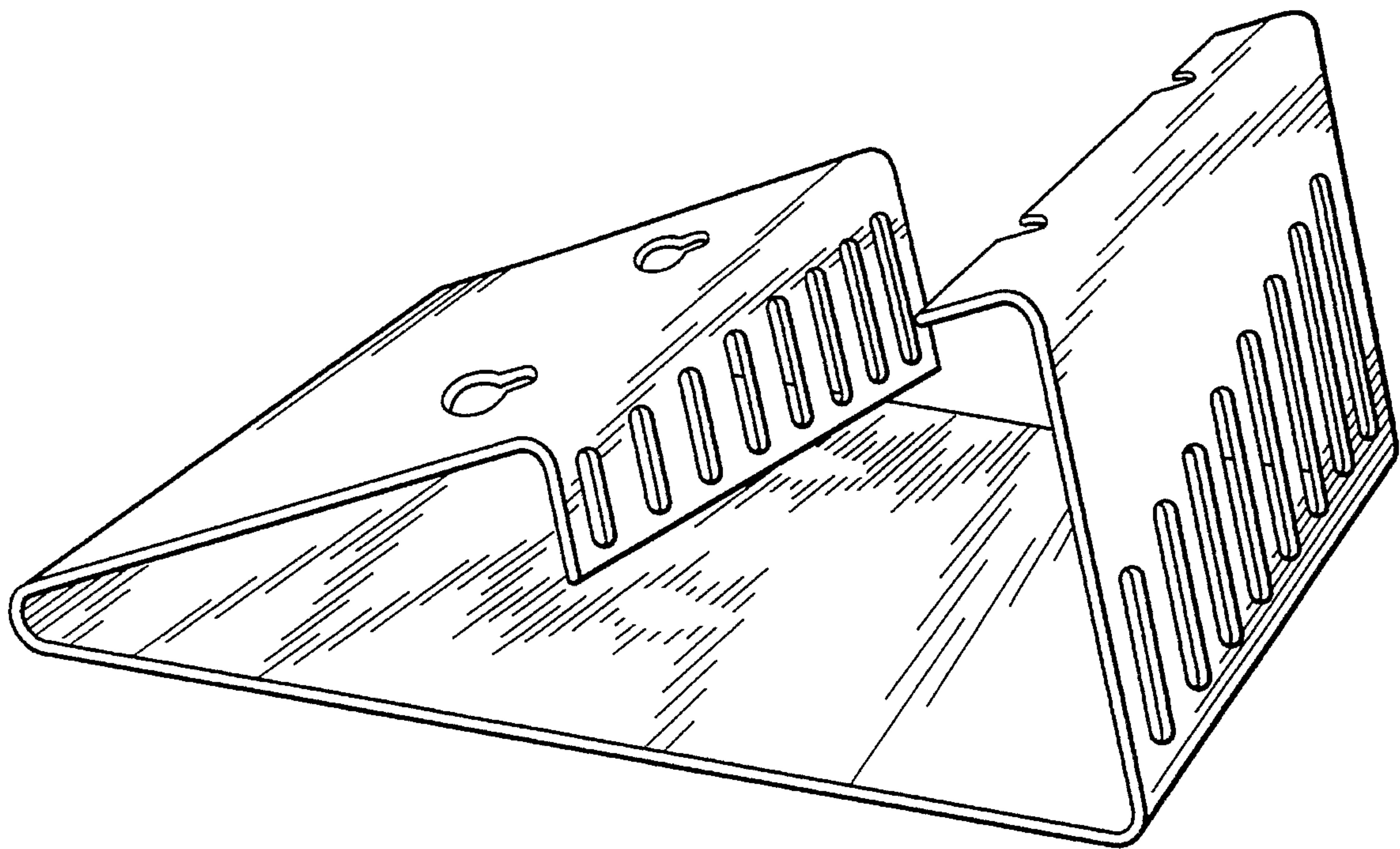


Fig. 1

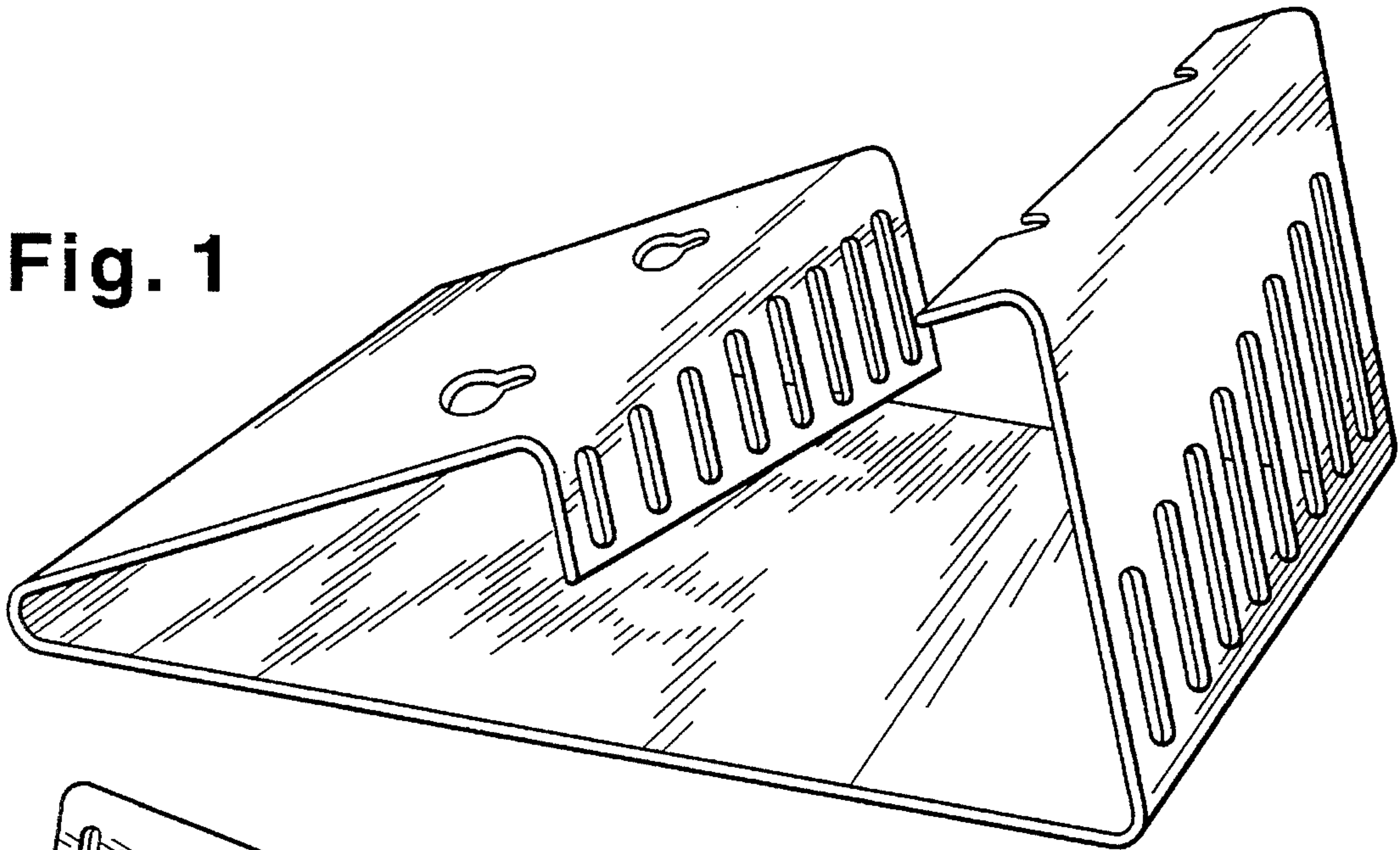


Fig. 2

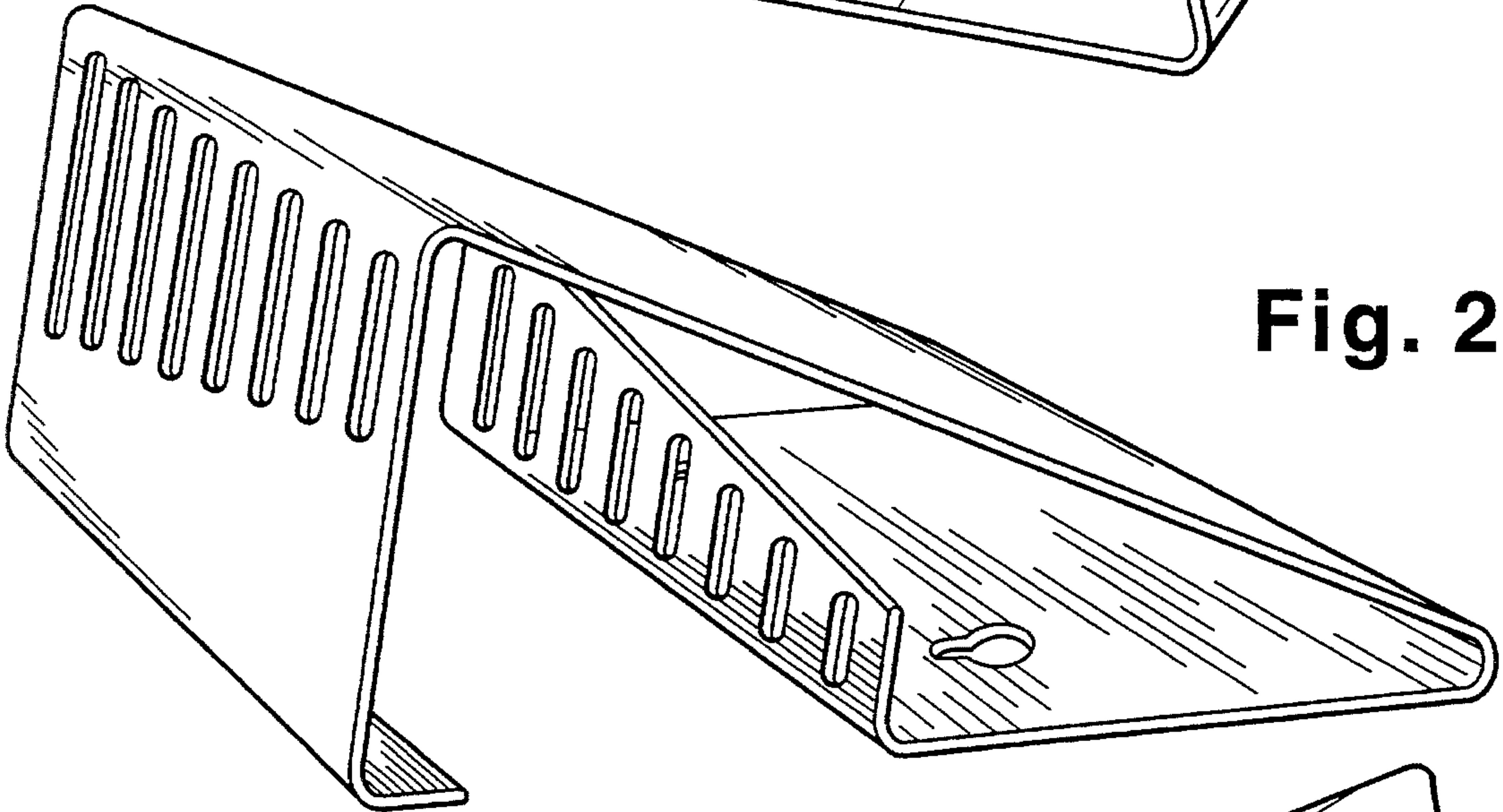


Fig. 3

