



US00D366989S

United States Patent [19] Zimmerman

[11] **Patent Number: Des. 366,989**
[45] **Date of Patent: **Feb. 13, 1996**

- [54] **STORAGE CONTAINER**
- [75] Inventor: **Larry G. Zimmerman**, Hollis, N.H.
- [73] Assignee: **Sterilite Corporation**, Townsend, Mass.
- [**] Term: **14 Years**
- [21] Appl. No.: **28,030**
- [22] Filed: **Sep. 2, 1994**
- [52] U.S. Cl. **D7/629; D7/538**
- [58] **Field of Search** **D7/629, 538-549; D9/414, 416, 424, 430-432, 434, 435, 438, 443; 220/270, 306, 307, 352**

[56] **References Cited**

U.S. PATENT DOCUMENTS

- D. 238,148 12/1975 Magnus .
- D. 267,703 1/1983 Chase et al. .
- D. 277,632 2/1985 Staufenberg .
- D. 308,941 7/1990 Kong D7/541 X
- D. 319,978 9/1991 Wolff D9/424 X
- 4,412,630 11/1983 Daenen D7/629

OTHER PUBLICATIONS

Sterilite #371, #372, #373, #374, #384, #356, #357, #358, #363, #365, #353, #354, #355, #352, #351, #340, #360; food storage containers; 2 pages, undated.
Anchor Hocking; STOWAWAYS; food containers; 1 page, undated.
Tucker; #5021, #5050, #5032; Serve & Store Sets; pp. 14 and 15.
Tupperware; containers with recessed lids; p. 31, undated.
Tupperware; Freezer Mates; p. 29, undated.
Tupperware; Modular Mates; p. 25, undated.
Holiday Housewares, Inc; Milan Classic; square-round containers; 2 pages, undated.
Rubbermaid; servin/saver squares; square and rectangular shaped containers; p. 3, undated.
Superseal foodsavers; square, round, rectangular shapes; 1 page, undated.
Fresh-o-dur; Vitri; round, square, rectangular shapes; 2

pages, undated.
Miflex; recessed lid; round, square, rectangular shapes; pp. 2 and 3, undated.
French—Oyonnax; round, square, rectangular shaped containers with recessed lids; 1 page, undated.
German—Buchsteiner; round, square rectangular shaped containers; 2 pages, undated.
French—Frig-O-Seal; recessed lid; soft seal/rigid round, square, rectangular shaped containers; 2 pages, undated.
Spanish—Araven; recessed lids; soft seal/rigid round containers; rounded lift tab; 1 page.
Japanese Inomata 1993; round, square rectangular shaped containers with recessed lids; easy pop cover microwave venting; 2 pages.
Japanese—Asvel; Combination storage and cooking, round, square, rectangular shaped containers; 2 pages, undated.
Japanese—Tonbo Plastics; rounded, square, rectangular shaped containers with recessed lids; 2 pages, undated.
Rubbermaid®; Mar. 1, 1988 Catalog Supplement; 1 page.
Rubbermaid®; Apr. 27, 1987 price list; 1 page.
Sterilite®; Microwave Reheatable Food Containers; 4 pages, undated.

Primary Examiner—Terry A. Wallace
Attorney, Agent, or Firm—Donald Brown

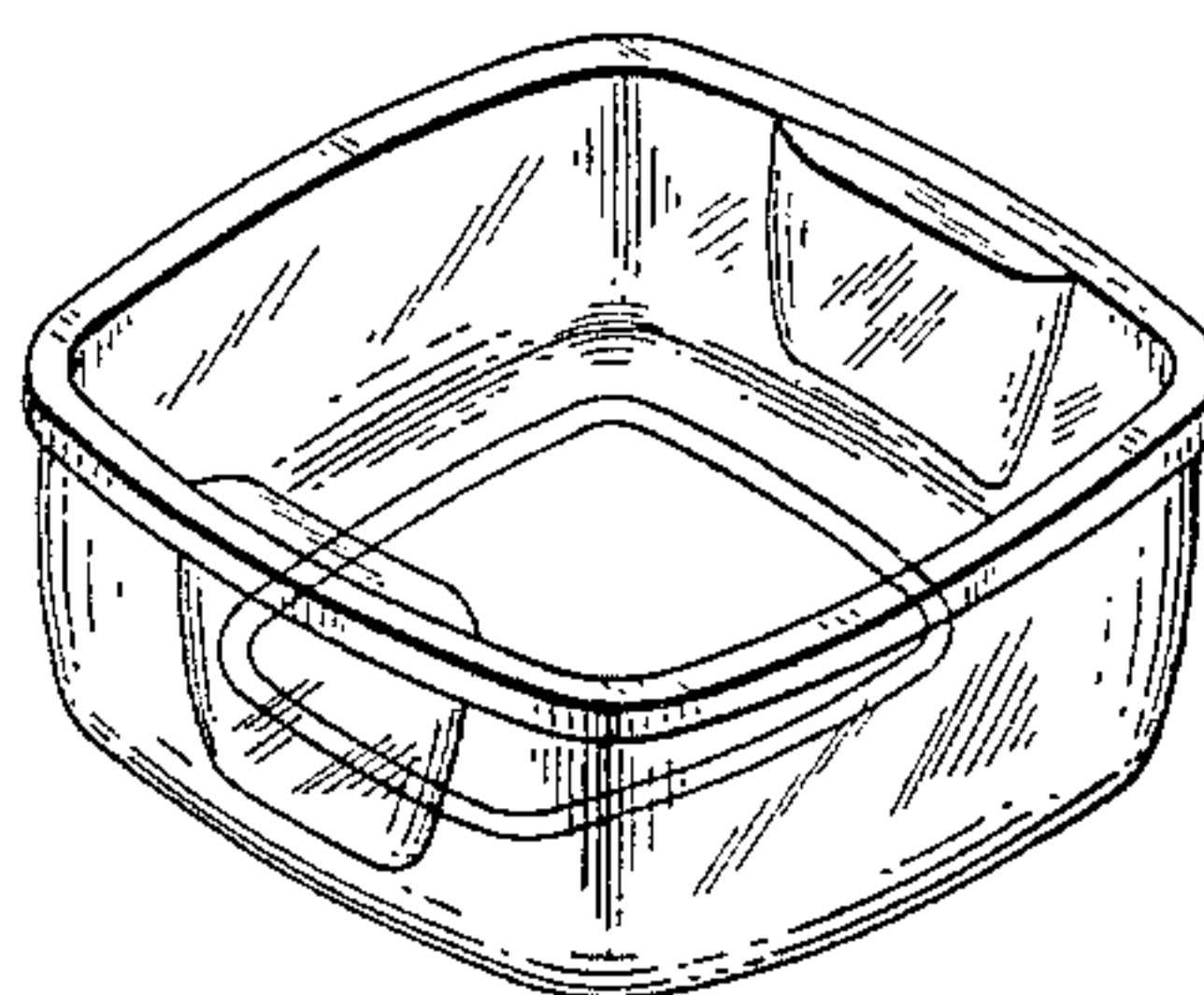
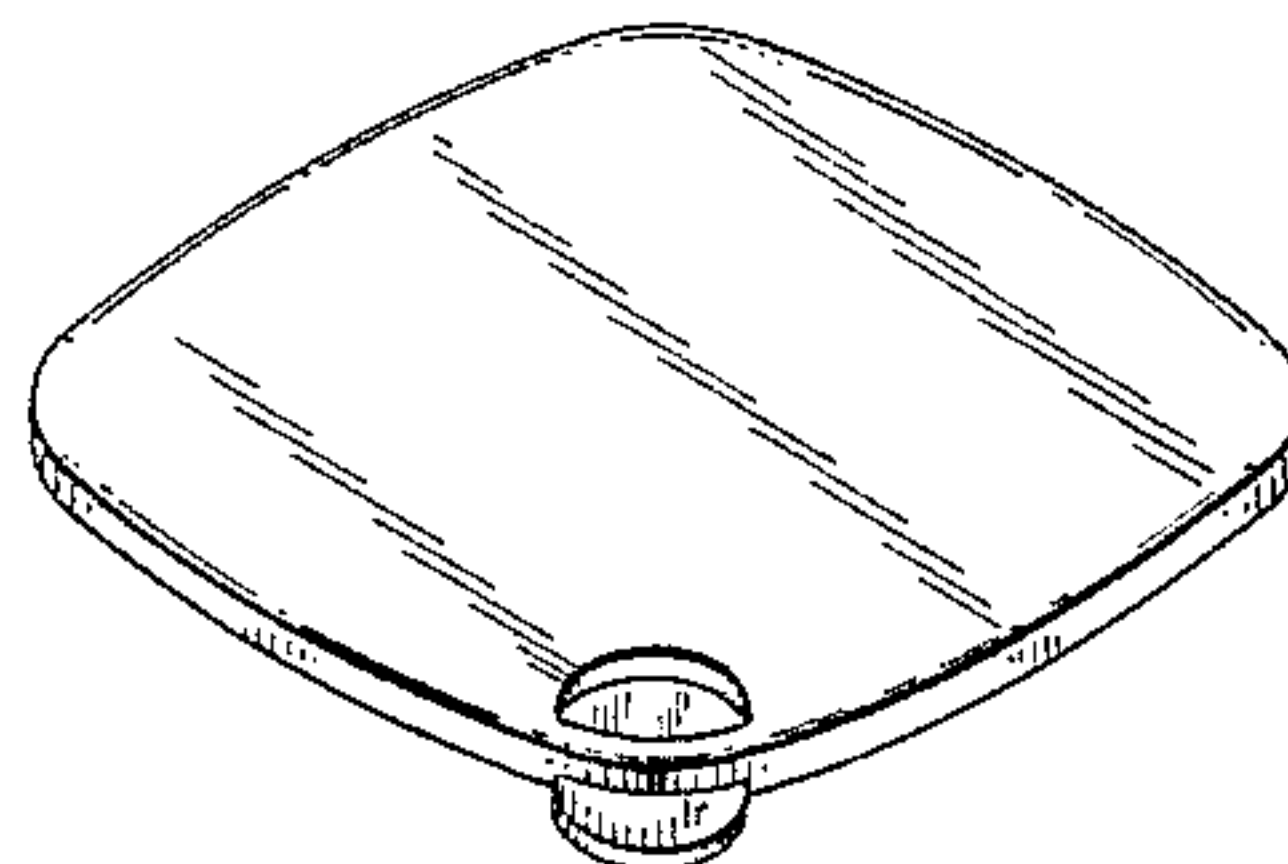
[57] **CLAIM**

The ornamental design of a storage container, as shown and described.

DESCRIPTION

FIG. 1 is an exploded perspective view of a storage container showing my new design;
FIG. 2 is a top, front, right side perspective view thereof in a closed position;
FIG. 3 is a top plan view thereof;
FIG. 4 is a right side elevation view thereof;
FIG. 5 is a front elevation view thereof;
FIG. 6 is a left side elevation view thereof;
FIG. 7 is a rear elevation view thereof; and,
FIG. 8 is a bottom plan view thereof.

1 Claim, 4 Drawing Sheets



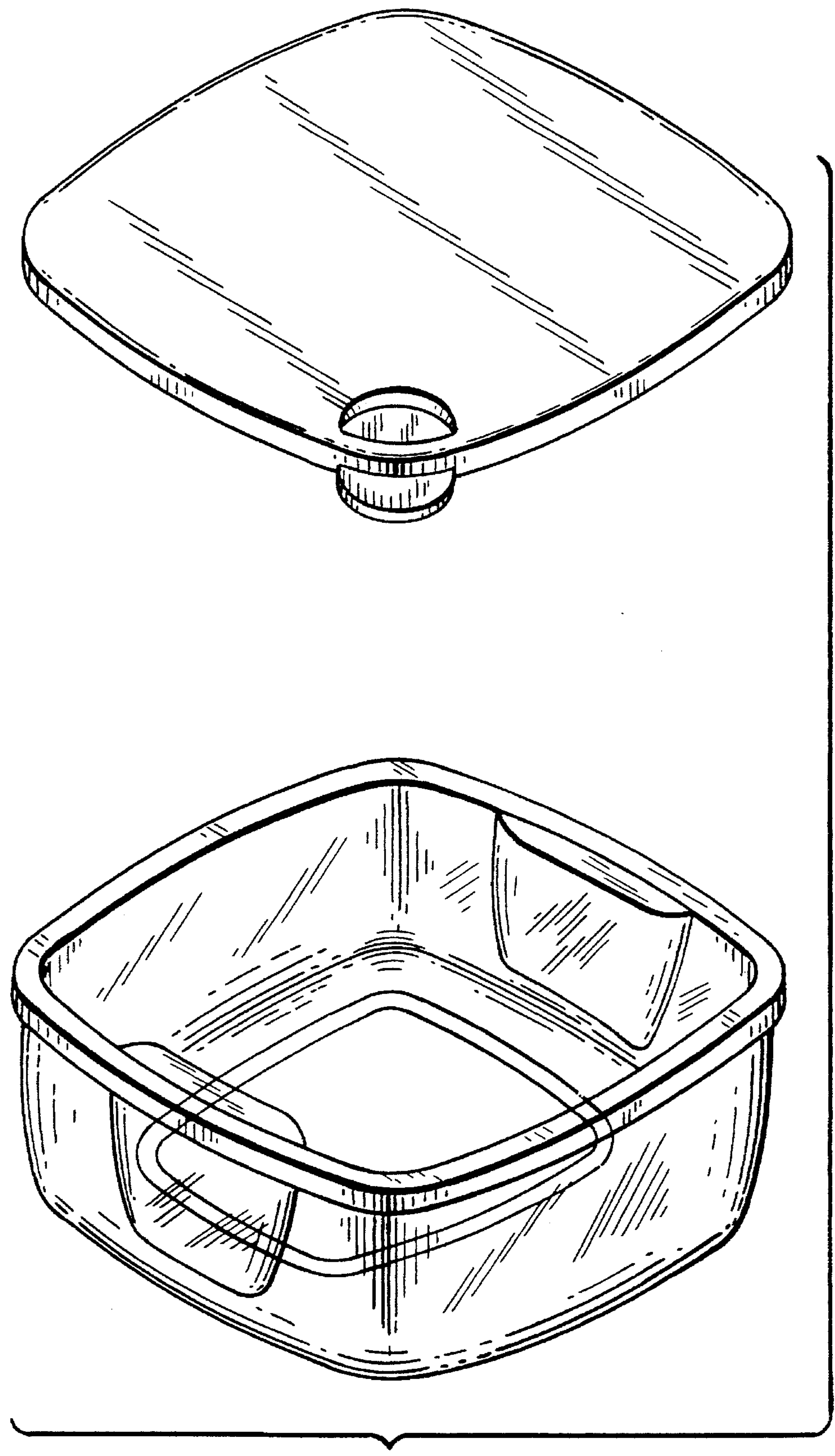


FIG. 1

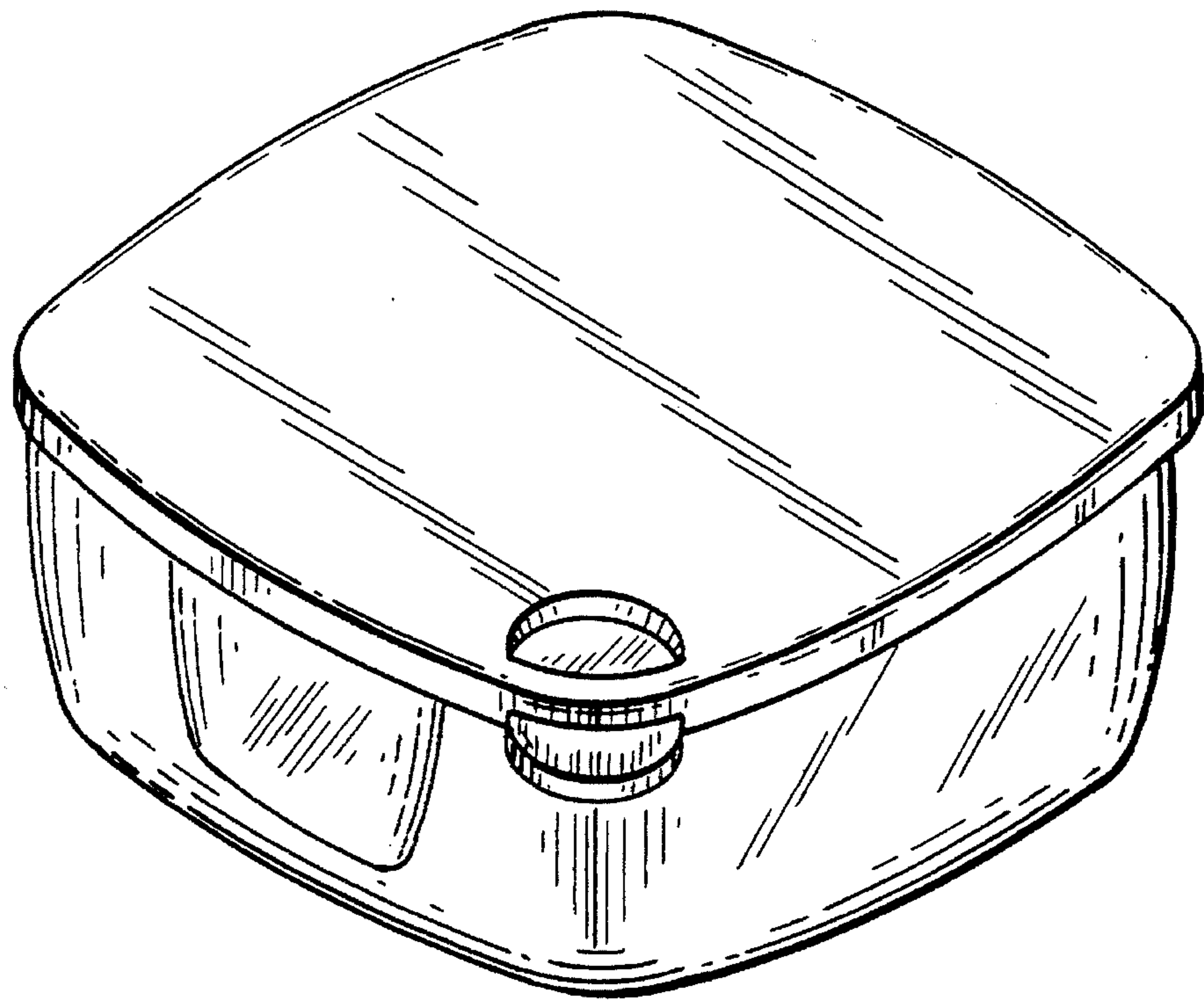


FIG. 2

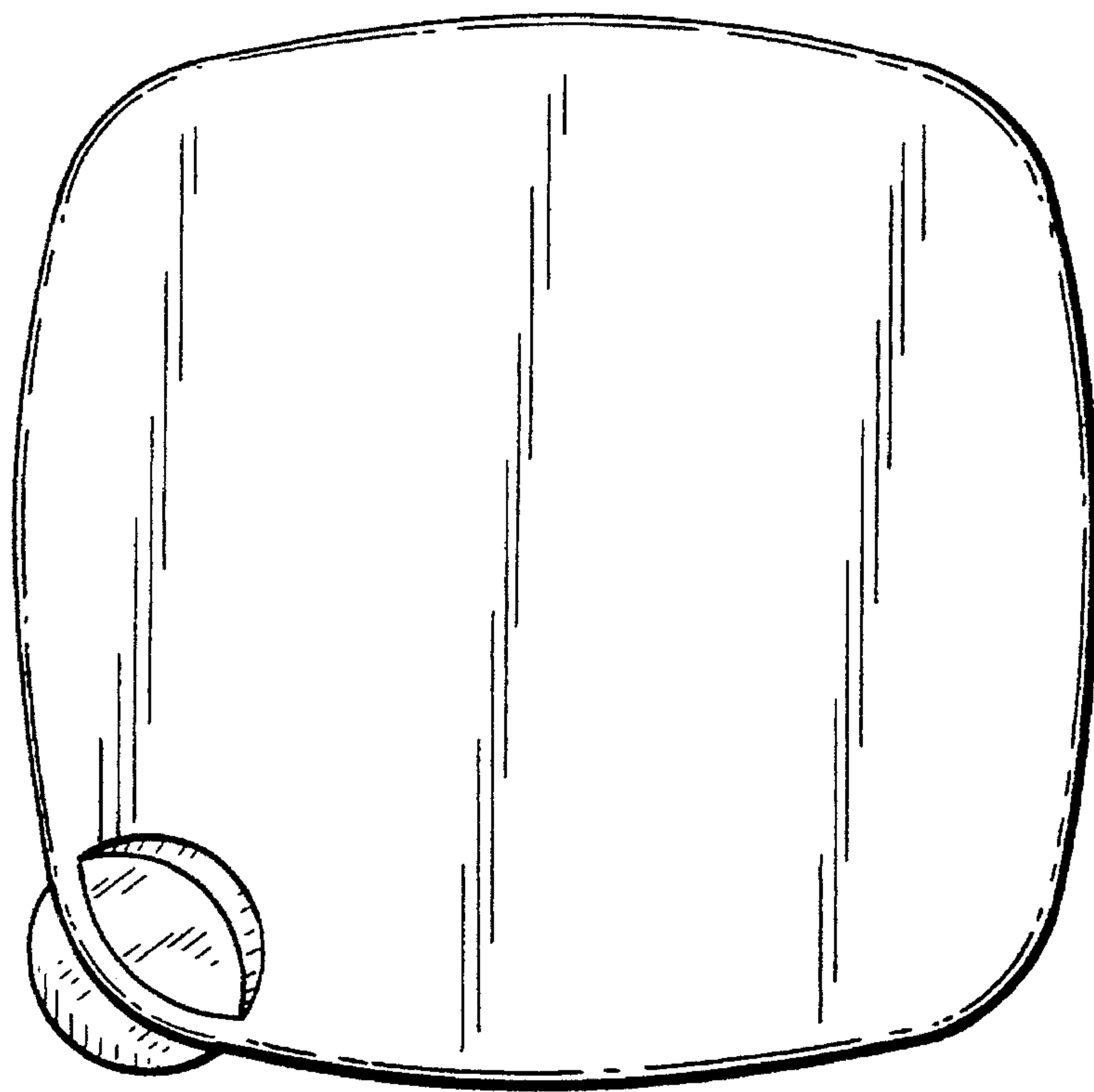


FIG. 3

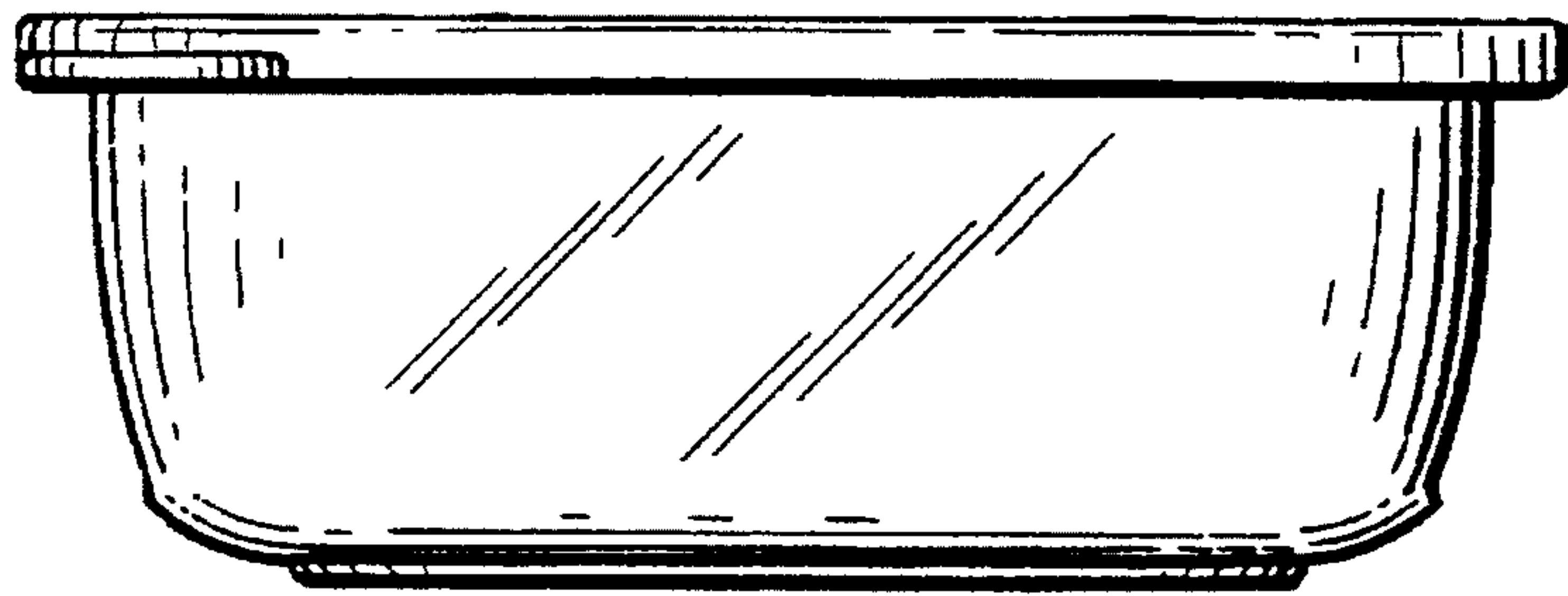


FIG. 4

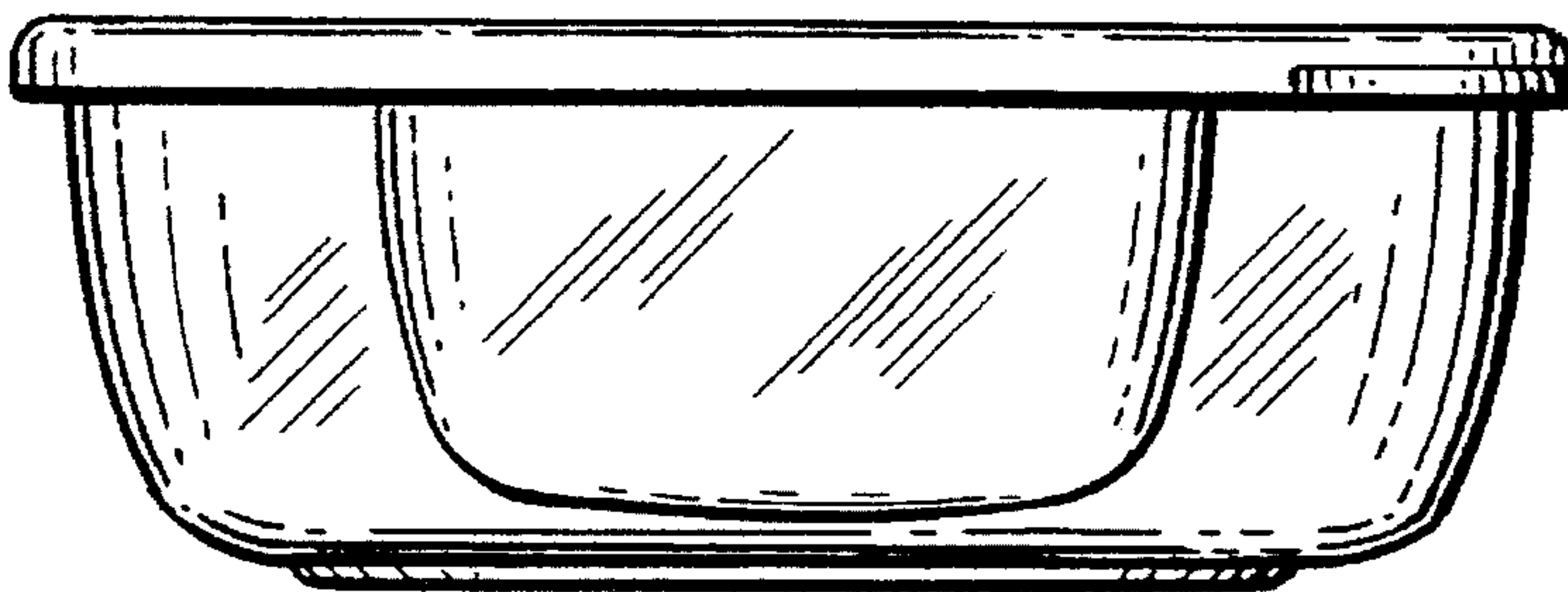


FIG. 5

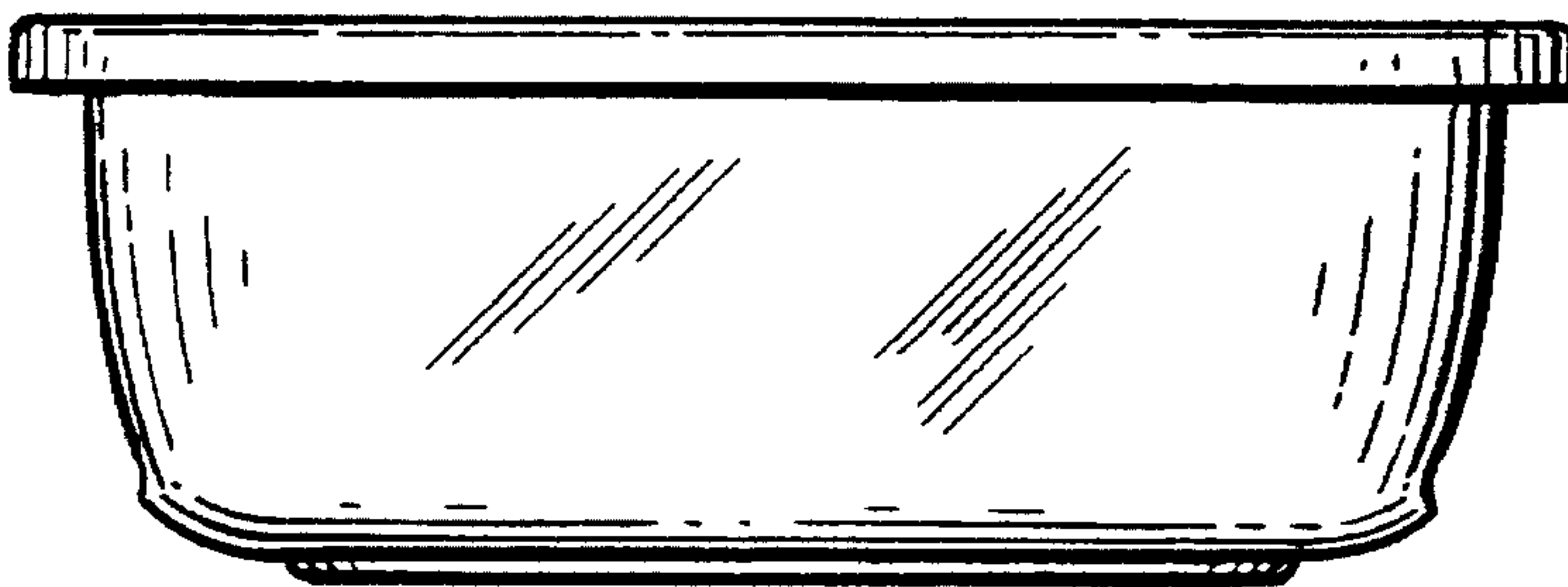


FIG. 6

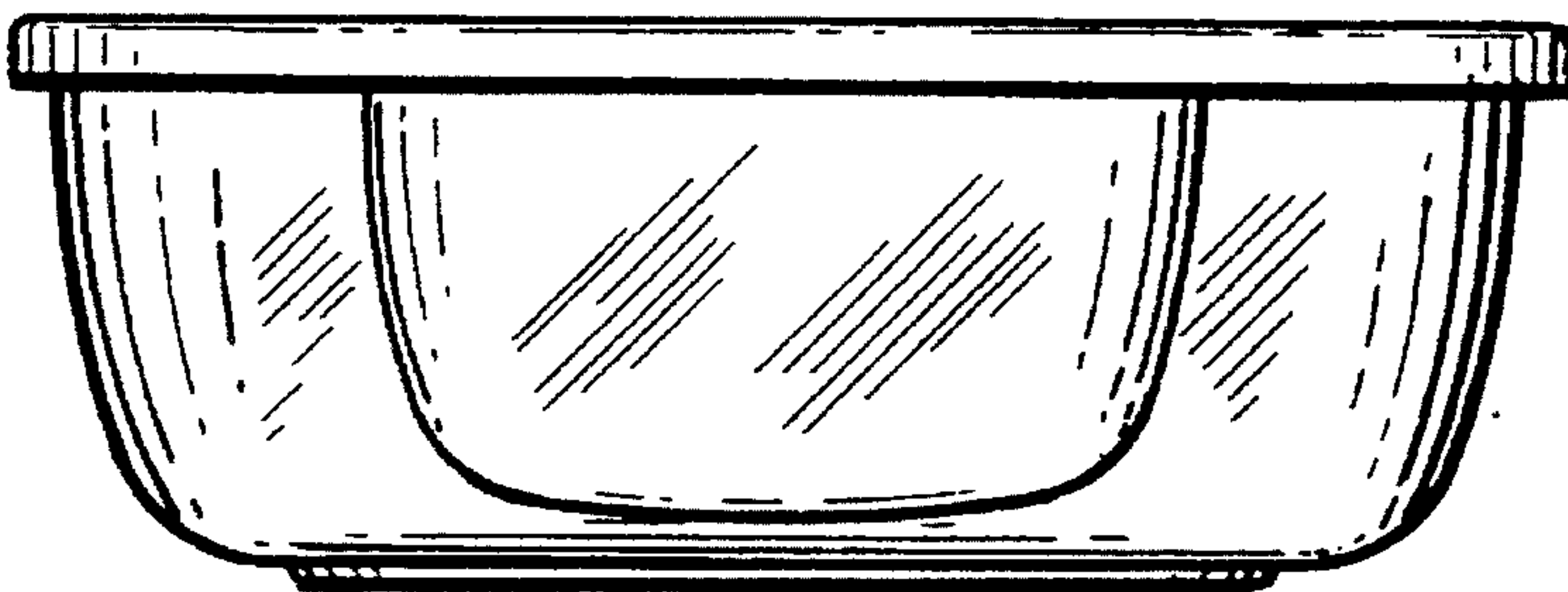


FIG. 7

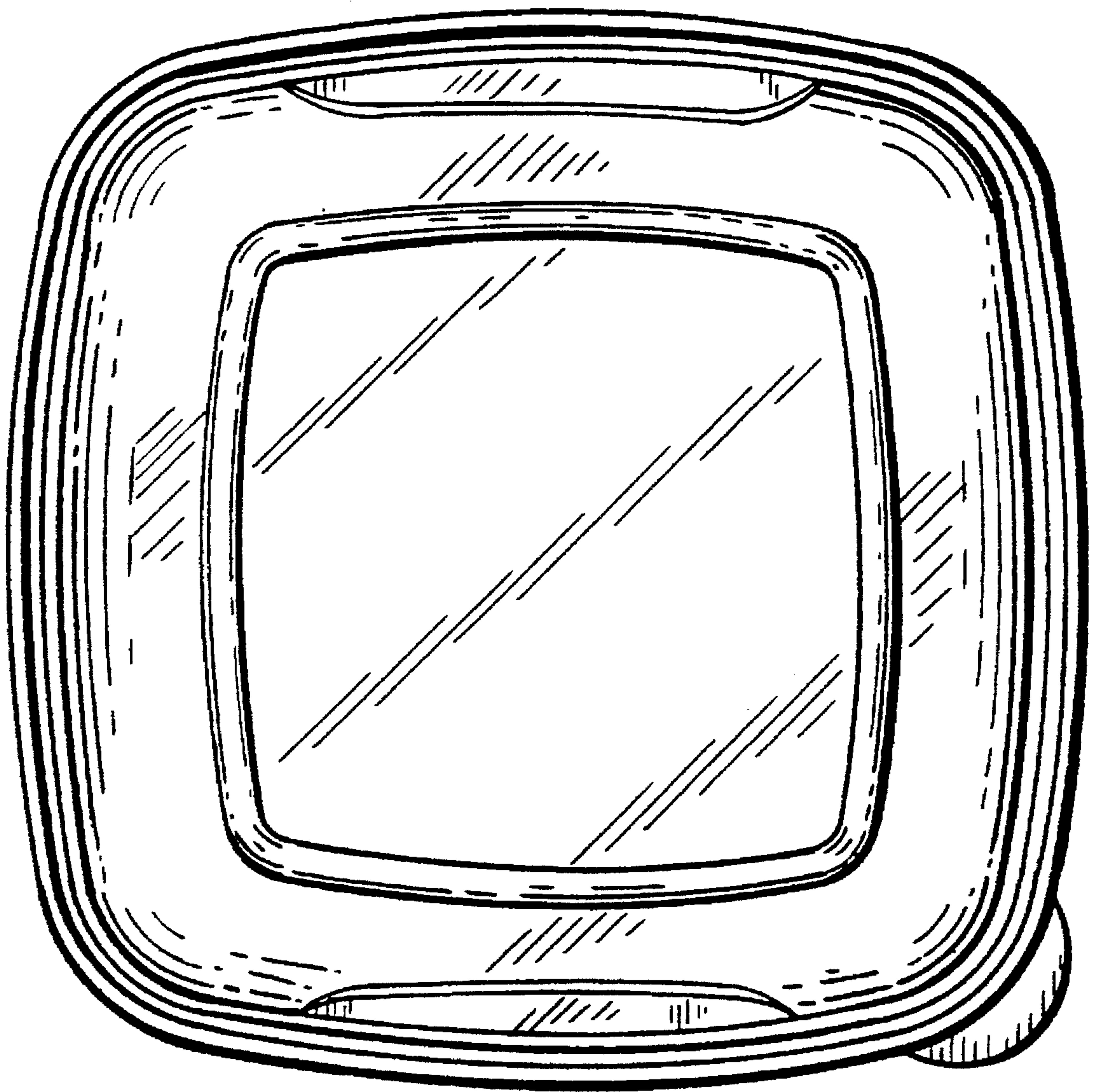


FIG. 8