



US00D366987S

# United States Patent [19]

[11] Patent Number: **Des. 366,987**

**Allegre**

[45] Date of Patent: **\*\*Feb. 13, 1996**

[54] **SPILL-PROOF CUP**

[75] Inventor: **Jean-Paul Allegre**, Saint-Etienne, France

[73] Assignee: **Allegre Puericulture Hygiene S.A.**, France

[\*\*] Term: **14 Years**

[21] Appl. No.: **29,475**

[22] Filed: **Oct. 6, 1994**

[30] **Foreign Application Priority Data**

Apr. 6, 1994 [FR] France ..... 942.097

[52] U.S. Cl. .... **D7/510; D7/511; D7/534**

[58] Field of Search ..... D7/507, 509, 510, D7/511, 523, 533, 534, 535, 536; 220/711, 713, 717, 719; 229/402; 215/387, 393, 398

[56] **References Cited**

**U.S. PATENT DOCUMENTS**

- D. 222,628 11/1971 Beckman ..... D7/533
- D. 222,732 12/1971 Howard ..... D7/536
- D. 233,972 12/1974 Juhlin ..... 220/713 X
- D. 326,796 9/1992 Kawano ..... D7/534 X

- D. 329,355 9/1992 Yagi ..... D7/534 X
- D. 354,416 1/1995 Cautereels et al. .... D7/507
- D. 359,417 6/1995 Chen ..... D7/511 X
- 4,125,052 5/1990 Betka et al. .... 220/719
- 4,953,737 9/1990 Meyers ..... 220/719
- 5,294,018 3/1994 Boucher ..... 220/711 X

**OTHER PUBLICATIONS**

Chicco Baby Nipple Training Cup #30.

*Primary Examiner*—Alan P. Douglas

*Assistant Examiner*—M. N. Pandozzi

*Attorney, Agent, or Firm*—Eckert Seamans Cherin & Mellott

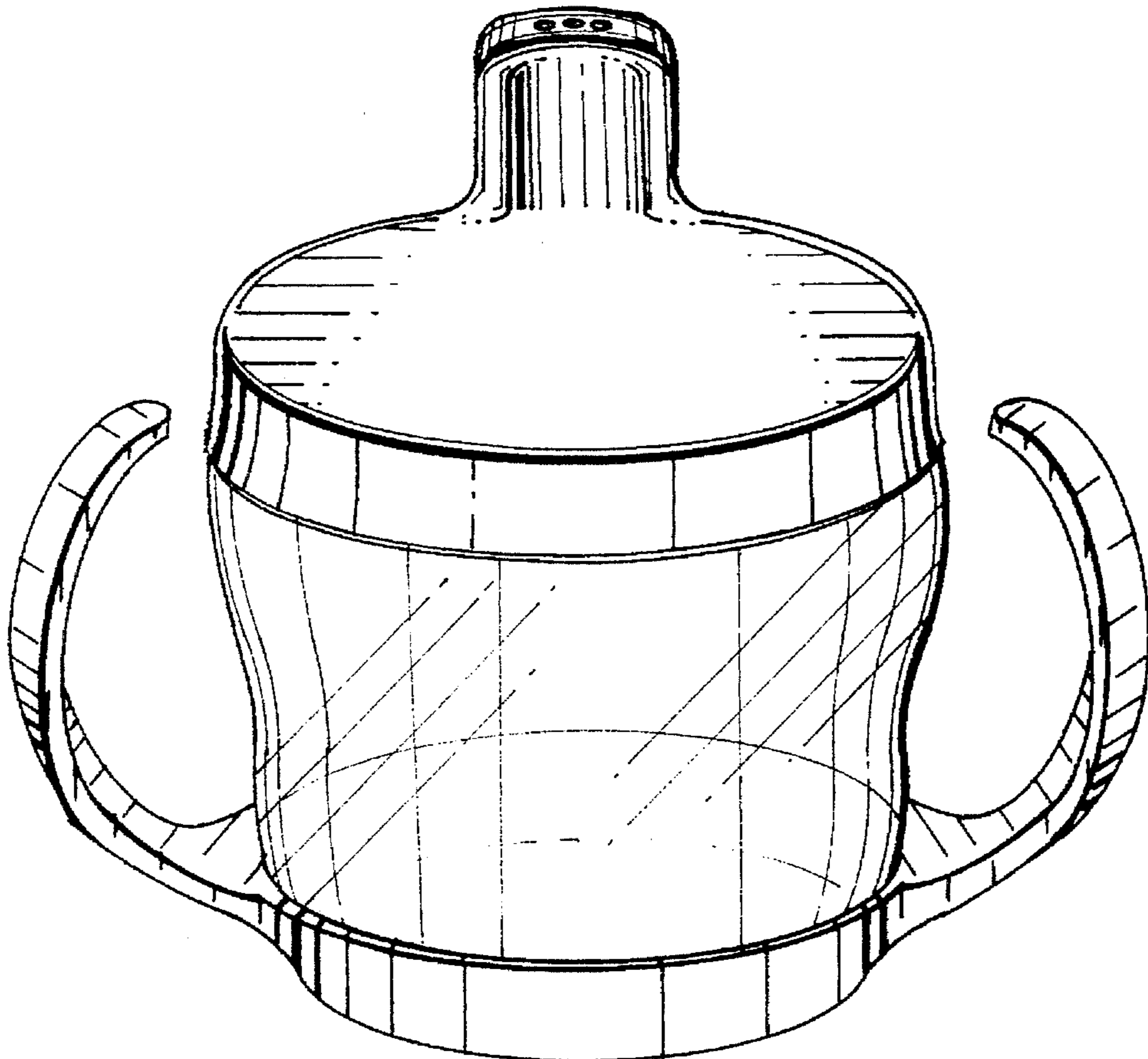
[57] **CLAIM**

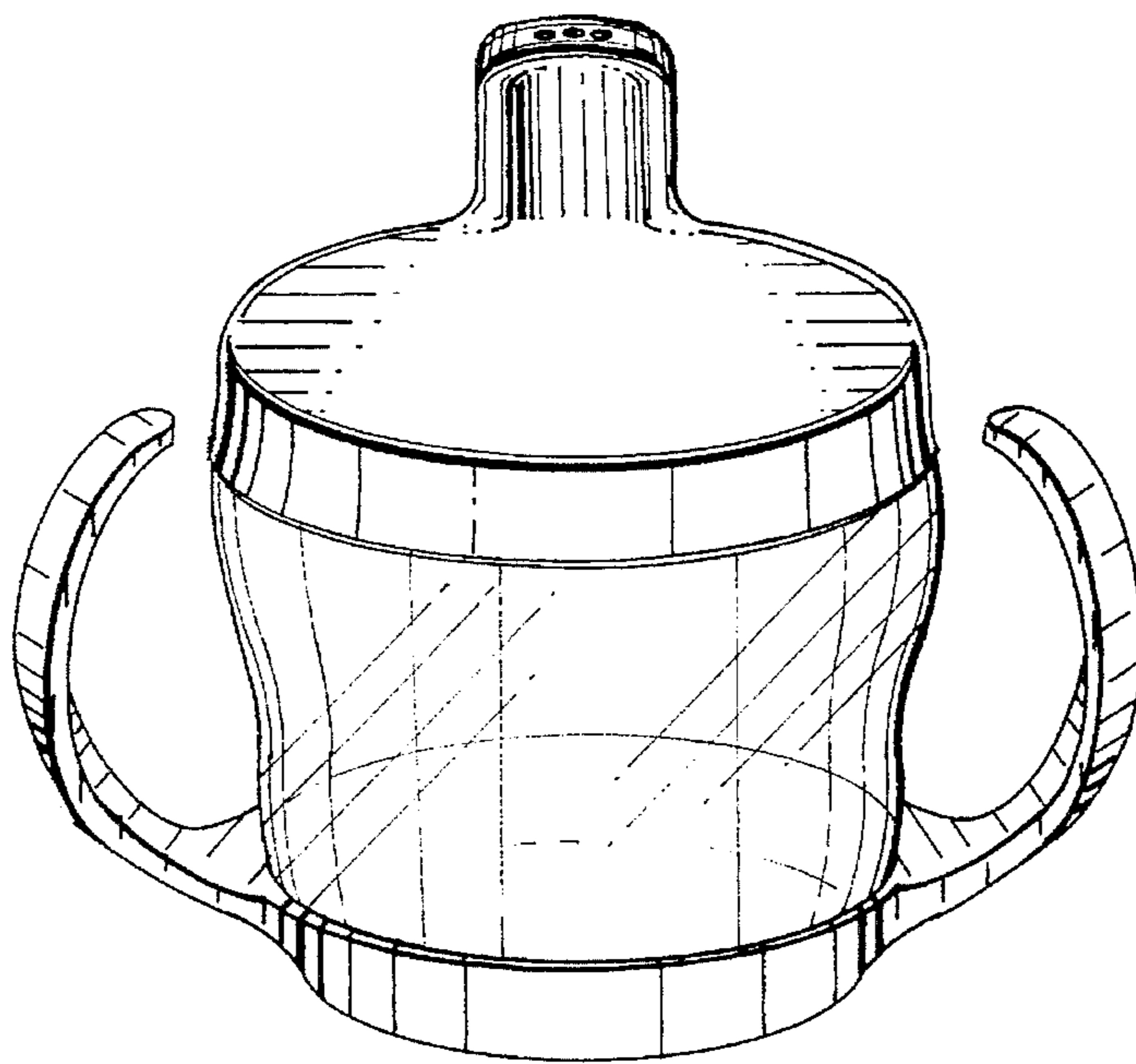
The ornamental design for a spill-proof cup, as shown and described.

**DESCRIPTION**

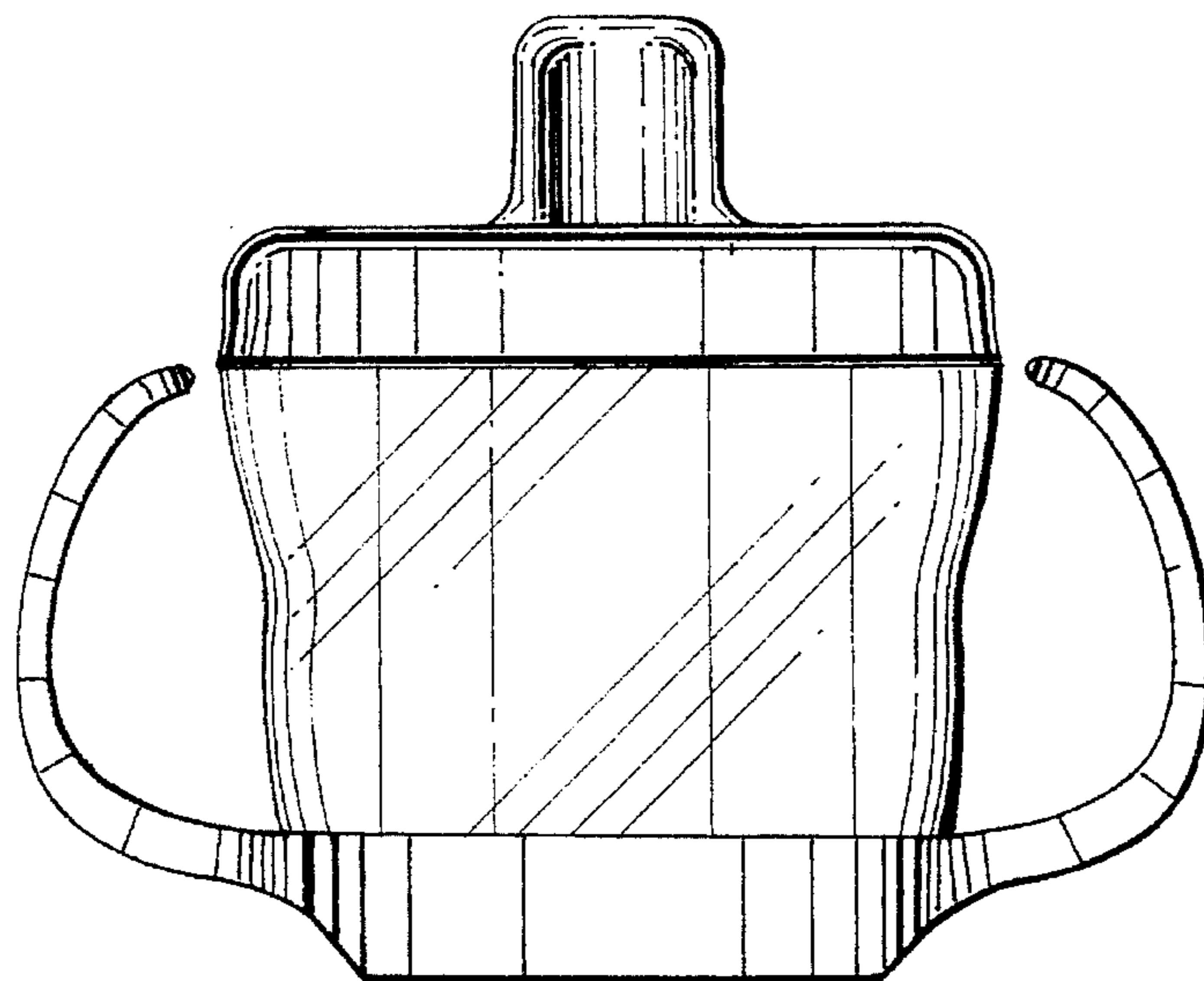
FIG. 1 is a perspective view of a spill-proof cup showing my new design;  
 FIG. 2 is a front elevational view, the rear being a mirror image thereof;  
 FIG. 3 is a side elevational view, the opposite side being a mirror image thereof;  
 FIG. 4 is a top plan view; and,  
 FIG. 5 is a bottom plan view.

**1 Claim, 2 Drawing Sheets**



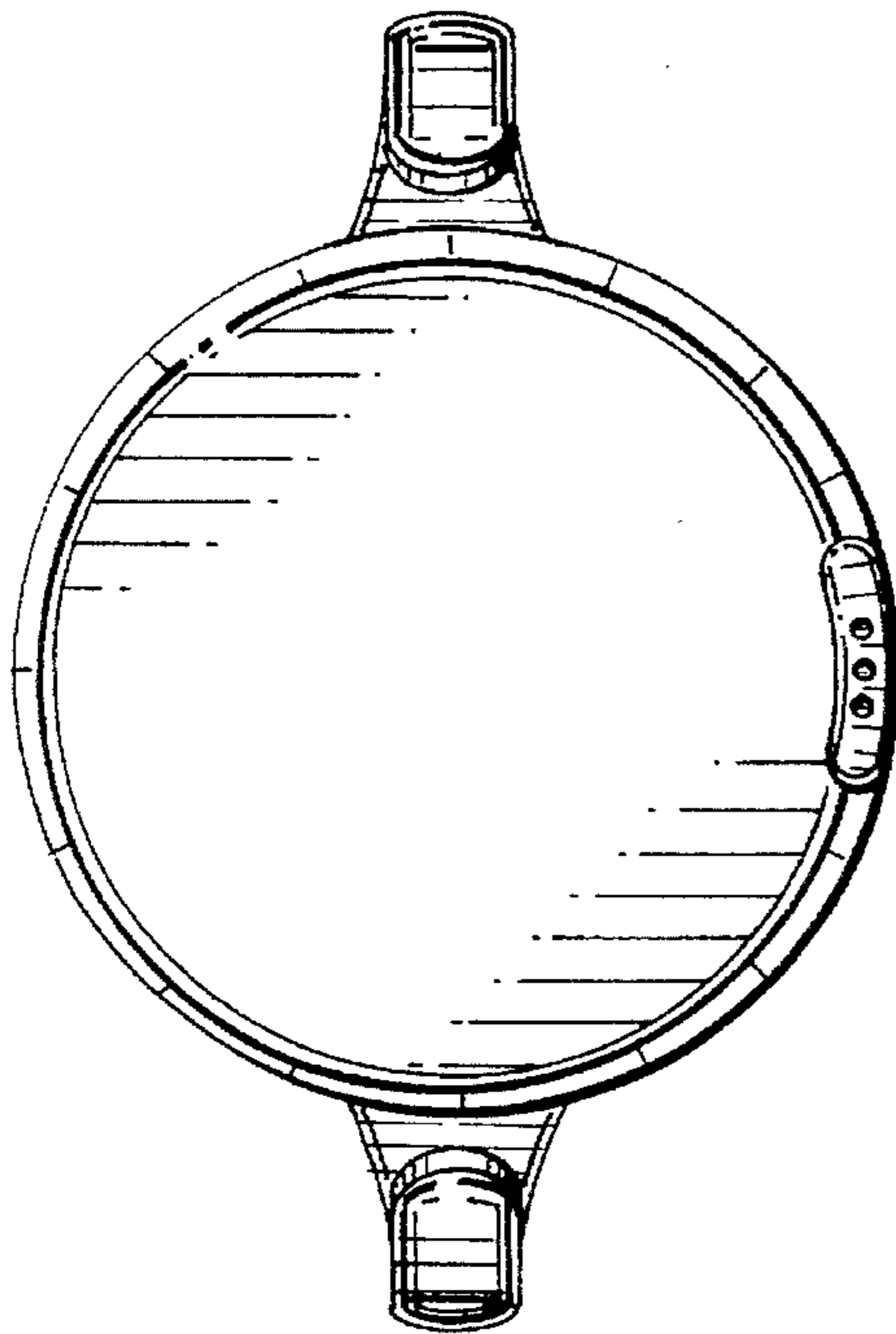
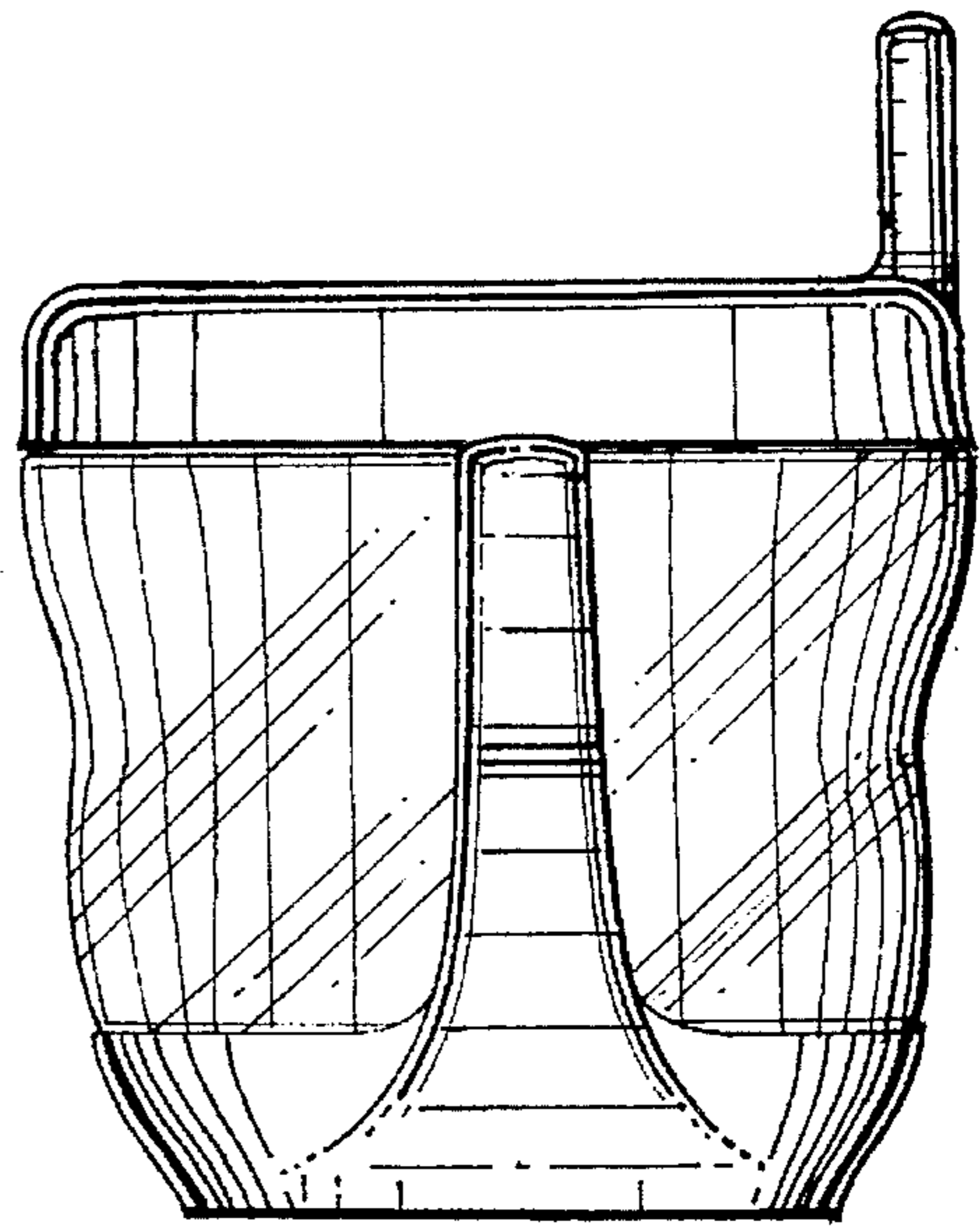


*Fig. 1.*

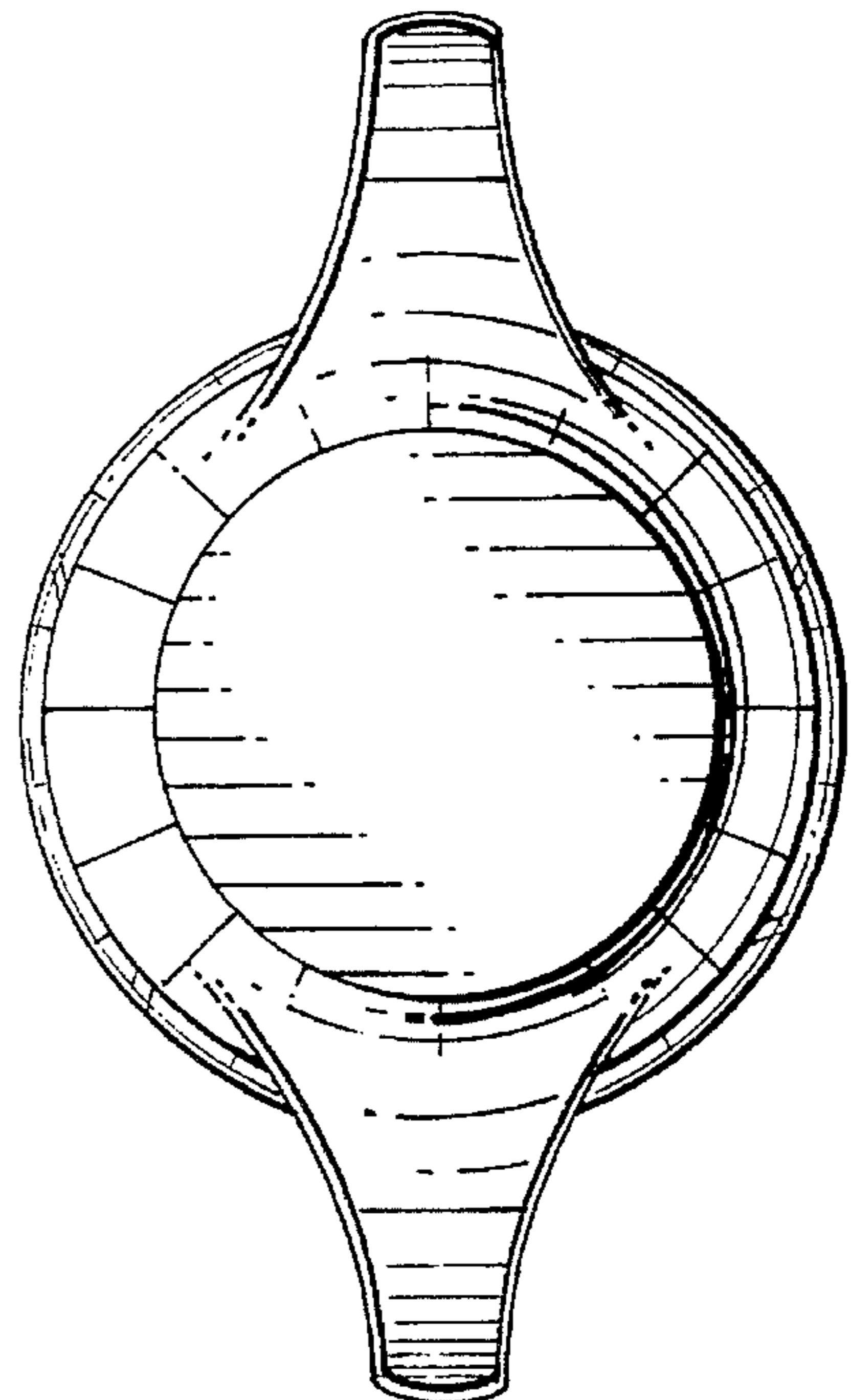


*Fig. 2.*

*Fig. 3.*



*Fig. 4.*



*Fig. 5.*