



US00D366986S

United States Patent [19]

Williams

[11] Patent Number: **Des. 366,986**

[45] Date of Patent: ****Feb. 13, 1996**

[54] **CUTLERY HANDLE**

[75] Inventor: **David M. Williams**, Sheffield, United Kingdom

[73] Assignee: **McPherson's Limited**, Victoria, Australia

[**] Term: **14 Years**

[21] Appl. No.: **14,870**

[22] Filed: **Nov. 1, 1993**

[52] U.S. Cl. **D7/401.2; D7/662**

[58] Field of Search **D7/642, 645, 649, D7/650, 653, 664, 401.2; 30/147-150, 322, 324, 340**

[56] **References Cited**

U.S. PATENT DOCUMENTS

- D. 180,464 6/1957 Weeber D7/663
- D. 334,117 3/1993 Shane-Schuldt D7/662

OTHER PUBLICATIONS

HFD-Jul. 18, 1988; p. 10; Yamazaki Knife far right.

Primary Examiner—Alan P. Douglas
Assistant Examiner—Caron D. Veynar

Attorney, Agent, or Firm—Trexler, Bushnell, Giangiorgi & Blackstone, Ltd.

[57] **CLAIM**

The ornamental design for a cutlery handle, as shown and described.

DESCRIPTION

FIG. 1 is a front elevation view of a cutlery handle showing my new design;

FIG. 2 is a rear elevation view thereof;

FIG. 3 is a right side elevation view, the left side elevation view being a mirror image thereof;

FIG. 4 is a bottom plan view thereof;

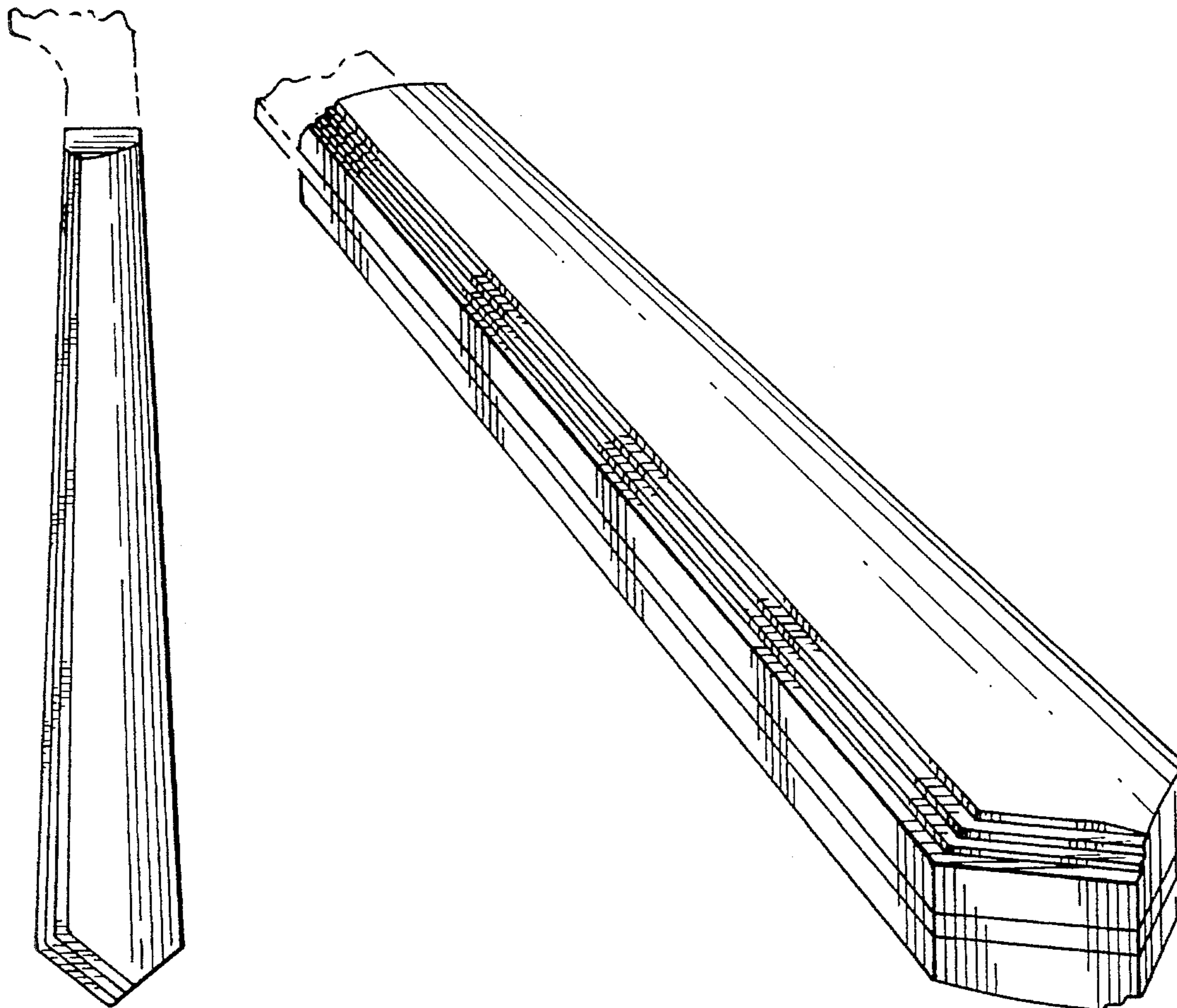
FIG. 5 is a top plan view thereof;

FIG. 6 is a cross section view taken along line 6—6 of FIG. 3 on an enlarged scale; and,

FIG. 7 is an enlarged perspective view thereof.

The broken line showing of a cutlery blade in FIGS. 1-3 is environmental only and forms no part of the claimed ornamental handle design.

1 Claim, 2 Drawing Sheets



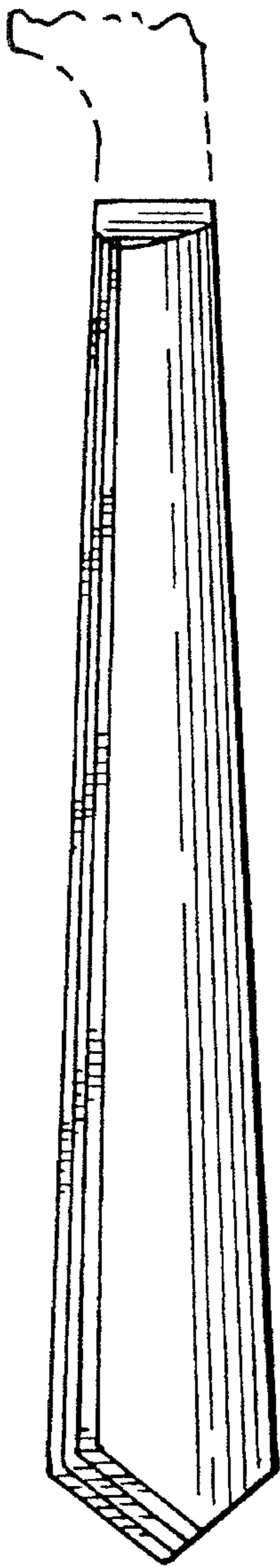


FIG. 1

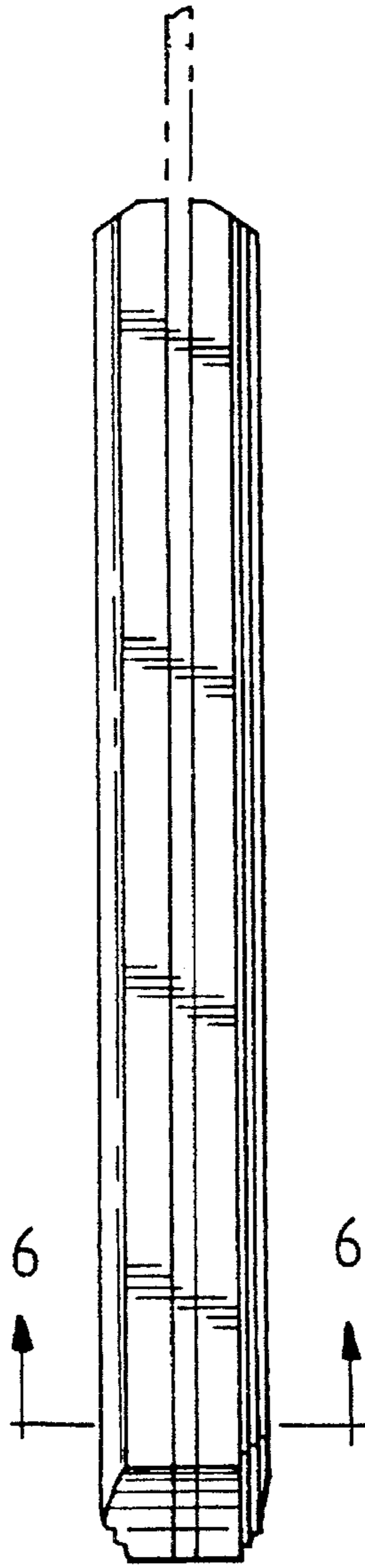


FIG. 3

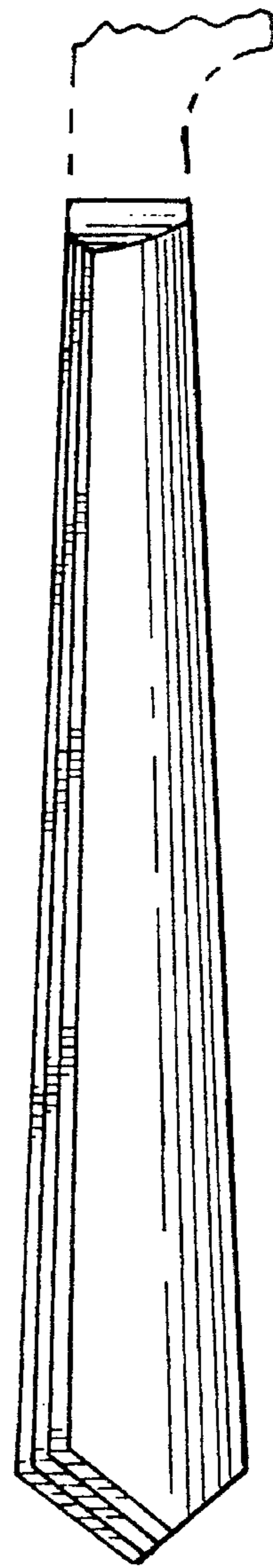


FIG. 2

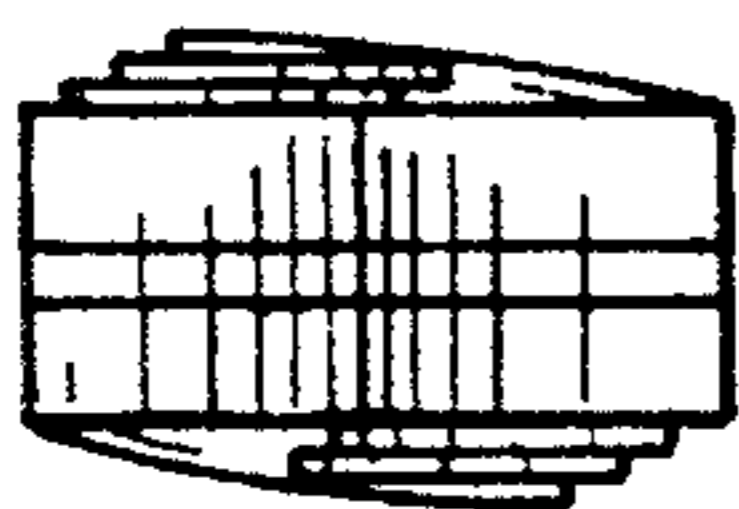


FIG. 4

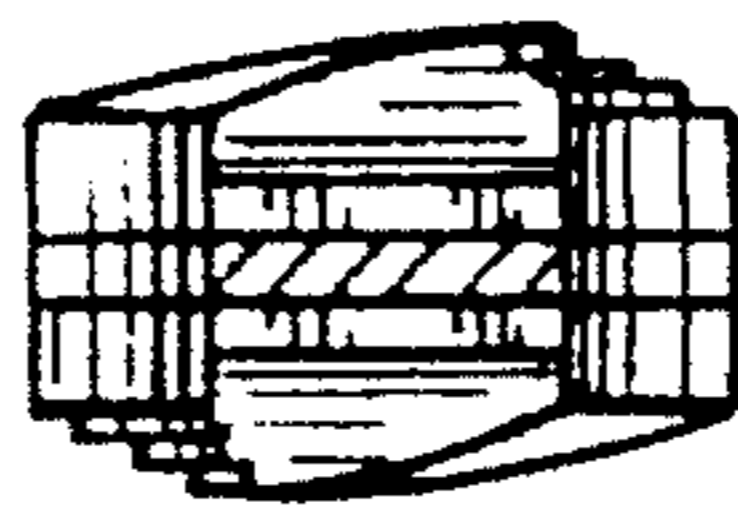


FIG. 5

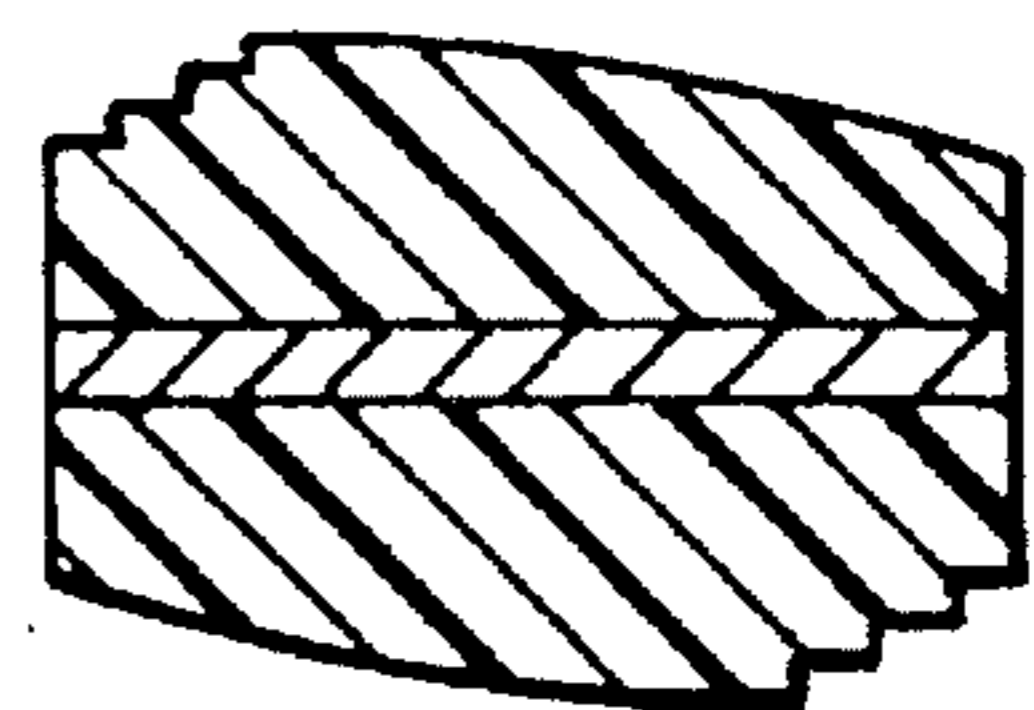


FIG. 6

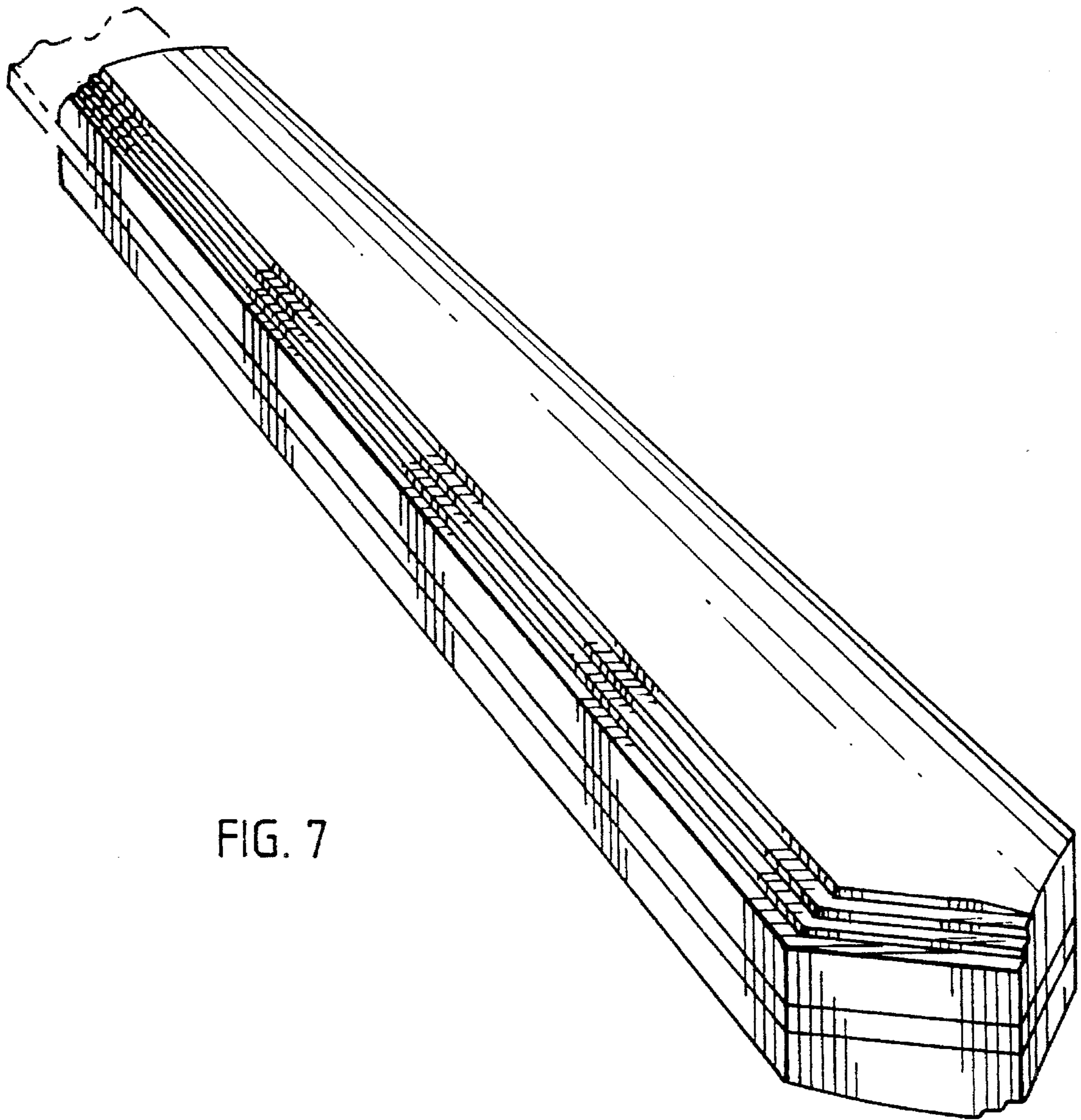


FIG. 7