



US00D366984S

United States Patent [19]

Hsu

[11] Patent Number: **Des. 366,984**

[45] Date of Patent: ****Feb. 13, 1996**

[54] **MULTI-FOOD PROCESSOR AND JUICE EXTRACTOR**

[75] Inventor: **Maxwell Hsu, Taipei, Taiwan**

[73] Assignee: **Airlux Electrical Co., Ltd., Taipei, Taiwan**

[**] Term: **14 Years**

[21] Appl. No.: **27,804**

[22] Filed: **Aug. 29, 1994**

[52] U.S. Cl. **D7/376; D7/384**

[58] Field of Search **D7/376, 378, 379, D7/381, 383, 384, 386; 241/37.5, 92, 93, 101.1, 199.12, 282.1, 282.2**

[56] **References Cited**

U.S. PATENT DOCUMENTS

D. 226,124	1/1973	Roberts	D7/379
D. 250,568	12/1978	Belinkoff	D7/384
D. 290,676	7/1987	Stutzer et al.	D7/384
D. 293,873	1/1988	Maass	D7/384
D. 296,976	8/1988	Maass	D7/384

D. 297,901	10/1988	Barrault	D7/384
D. 309,082	7/1990	Hattle et al.	D7/384
D. 335,065	4/1993	Gildersleeve	D7/376 X
4,799,626	1/1989	Hickel et al.	D7/384 X
5,222,430	6/1993	Wang	99/512

Primary Examiner—Alan P. Douglas
Assistant Examiner—Caron D. Veynar
Attorney, Agent, or Firm—Fields, Lewis & Rost

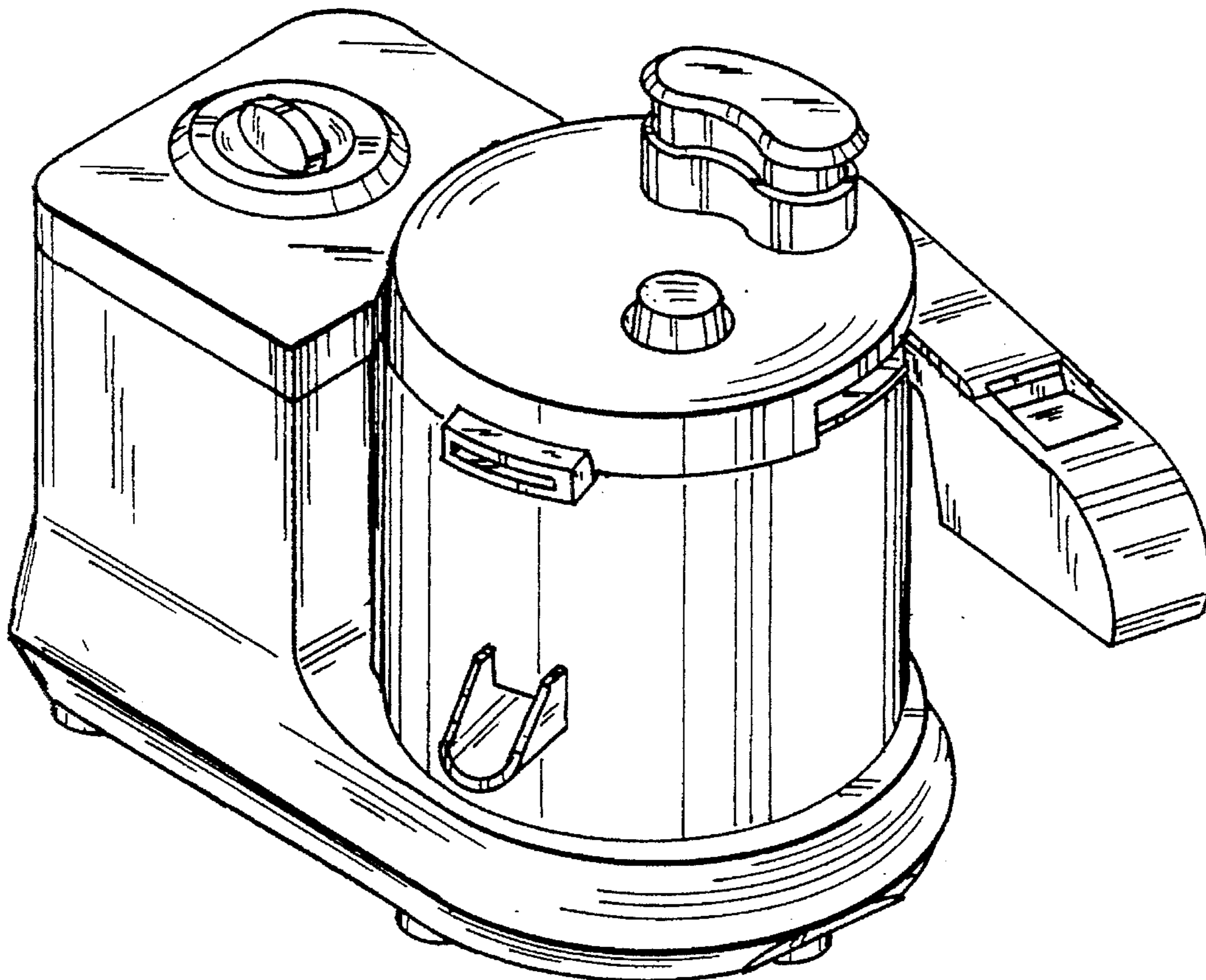
[57] **CLAIM**

The ornamental design for the multi-food processor and juice extractor, as shown and described.

DESCRIPTION

FIG. 1 is a perspective view of the multi-food processor and juice extractor of this invention; FIG. 2 is a top plan view thereof; FIG. 3 is a front elevation thereof; FIG. 4 is a rear elevation thereof; FIG. 5 is a left side elevation thereof; FIG. 6 is a right side elevation thereof; and, FIG. 7 is a bottom plan view thereof.

1 Claim, 4 Drawing Sheets



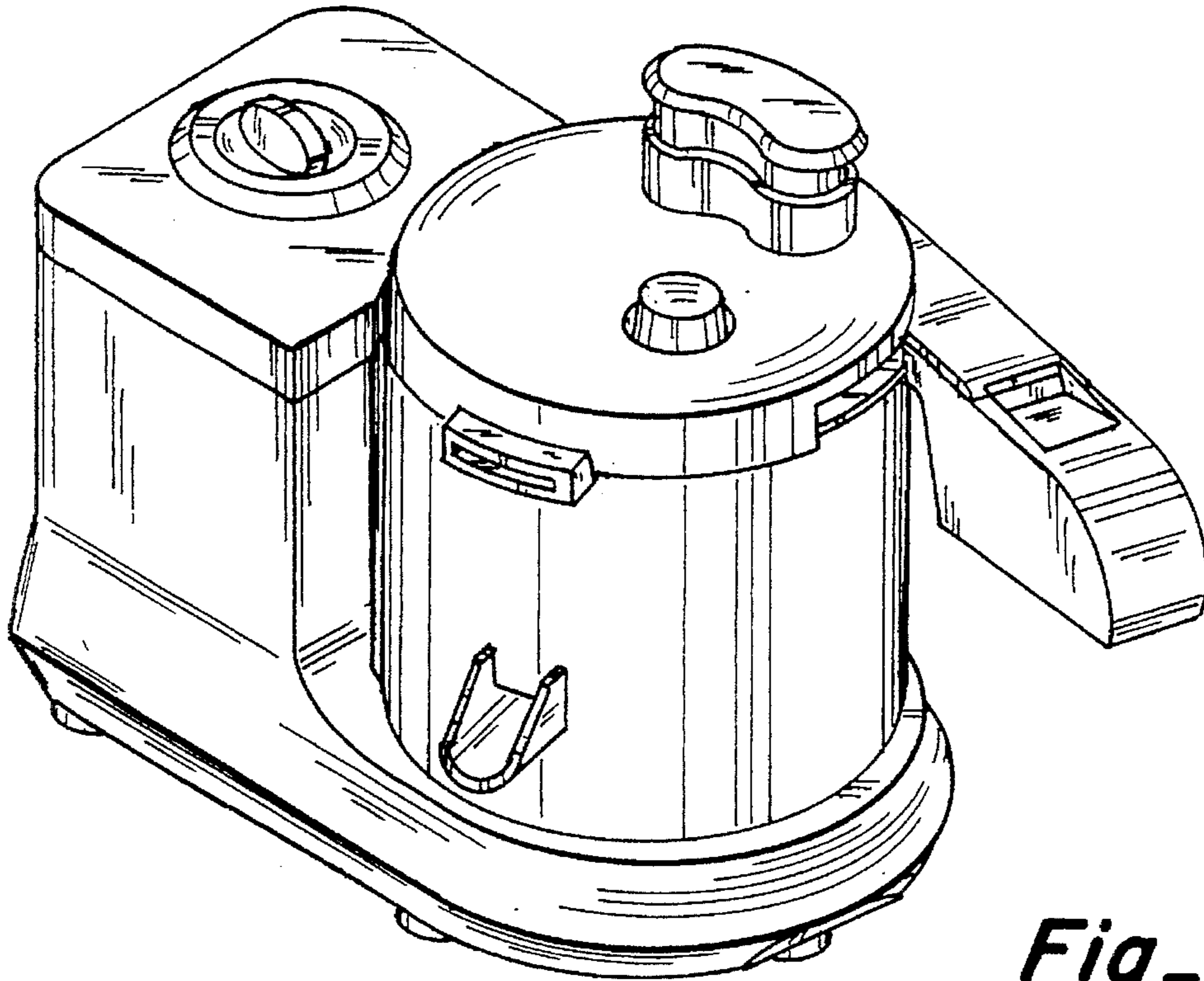


Fig-1

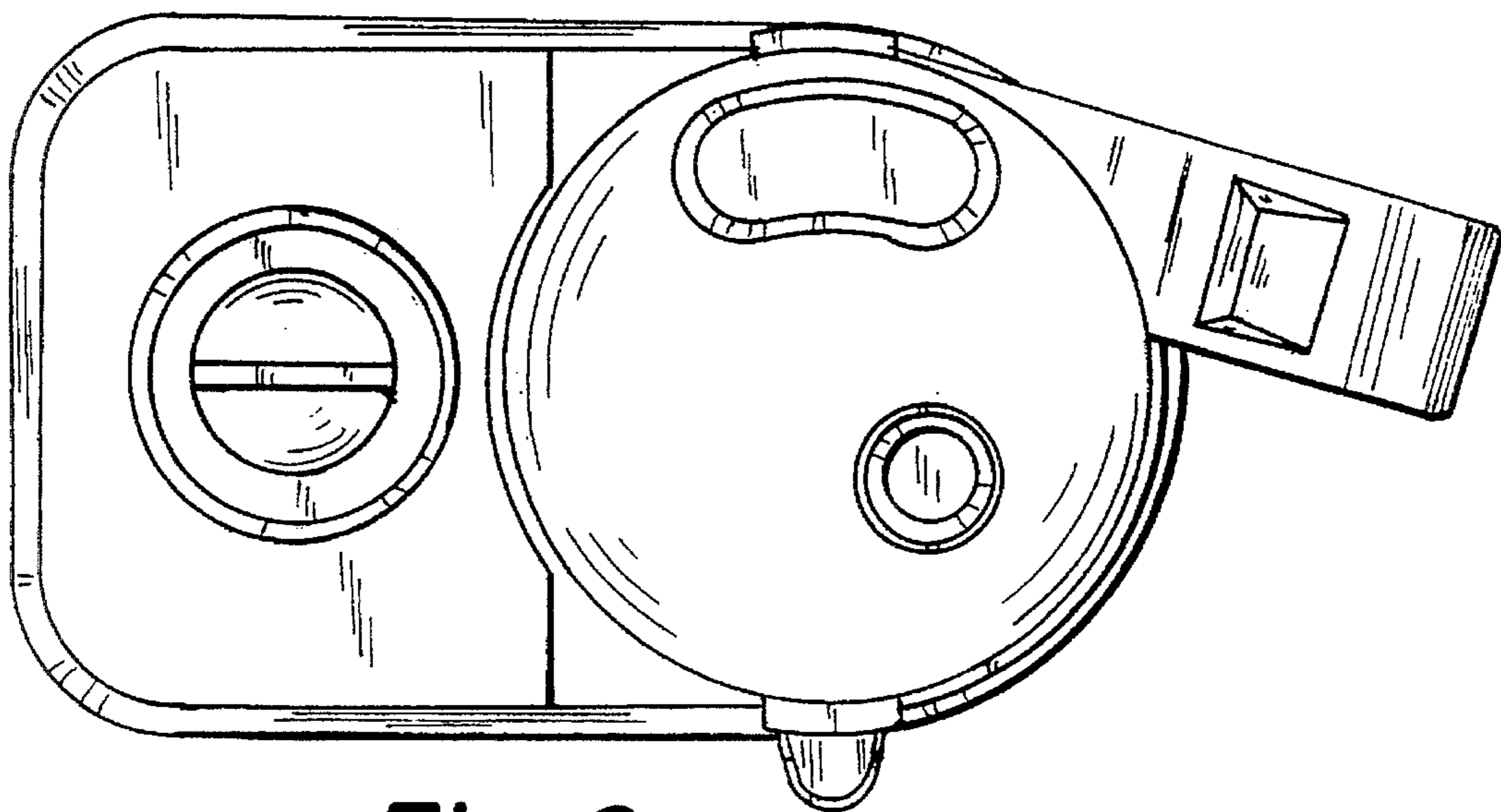
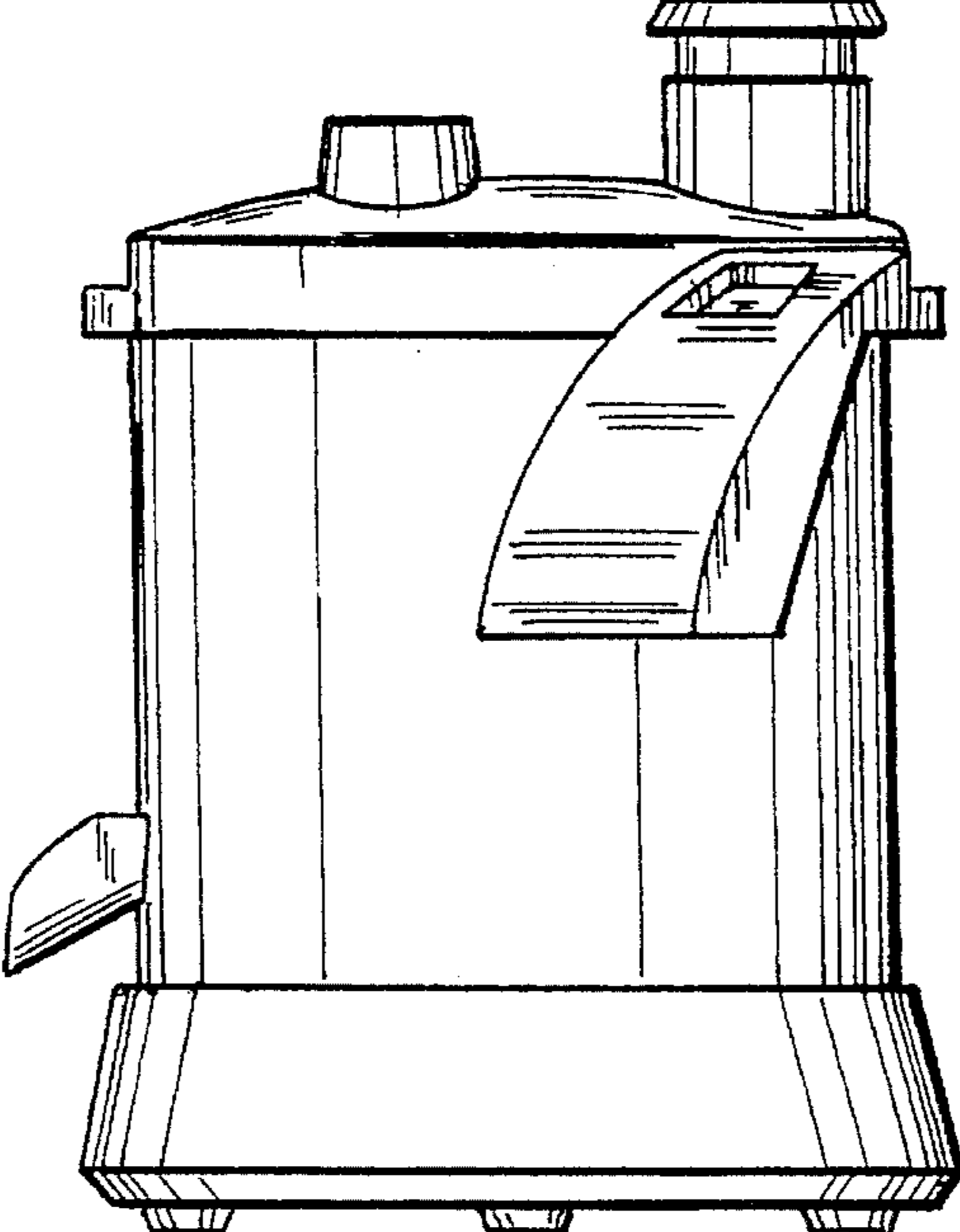
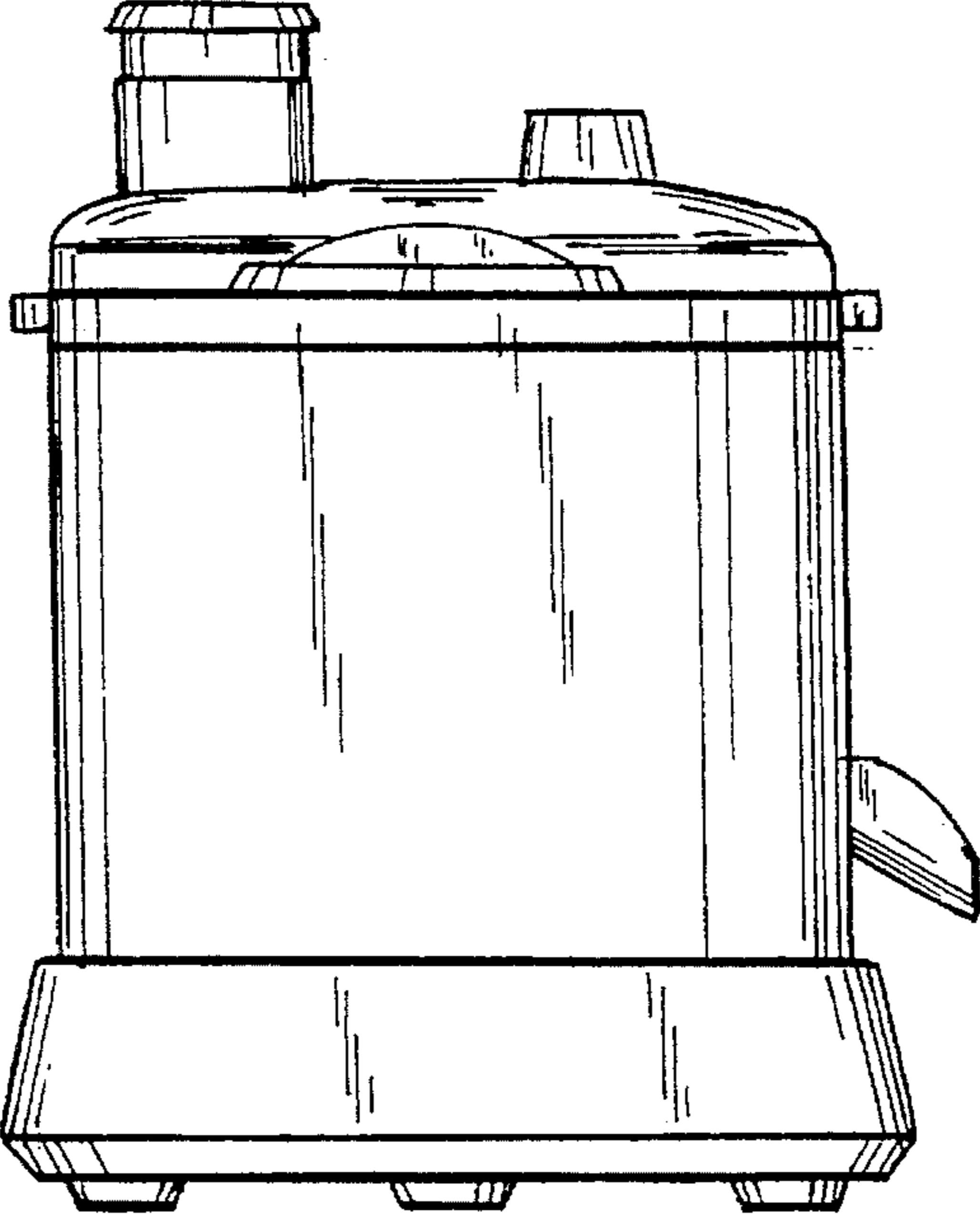


Fig-2



Fig_3



Fig_4

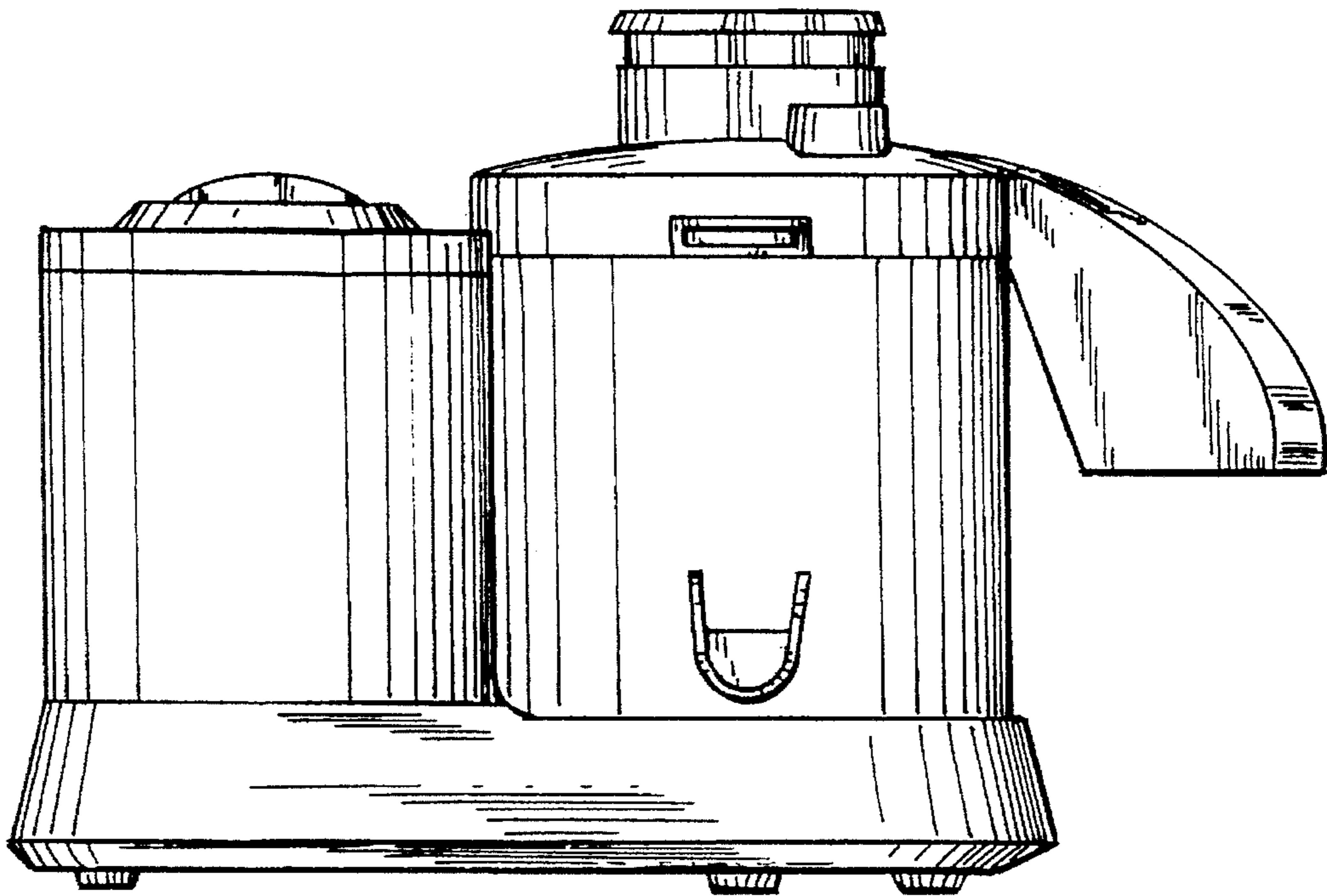


Fig. 5

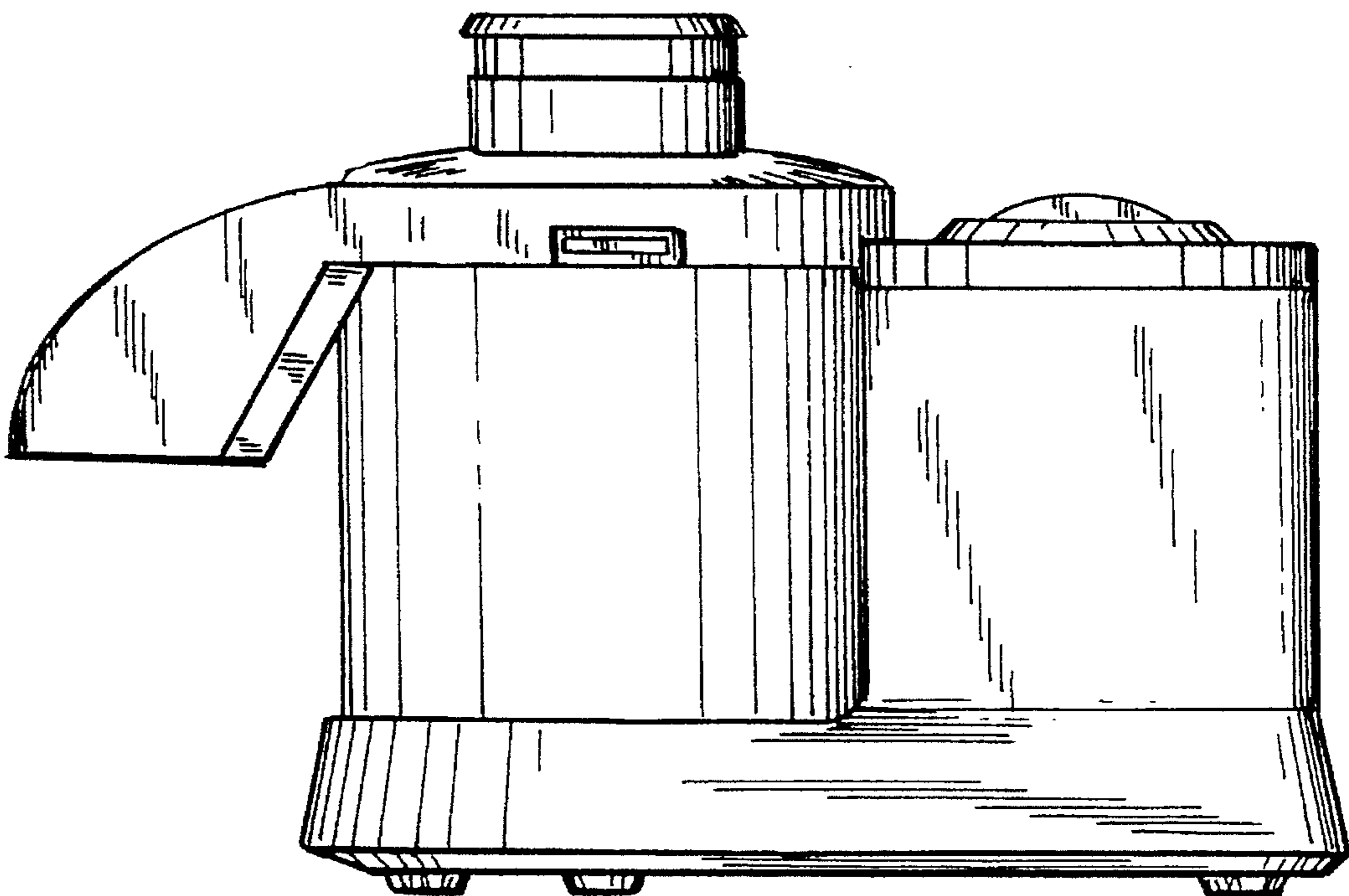


Fig. 6

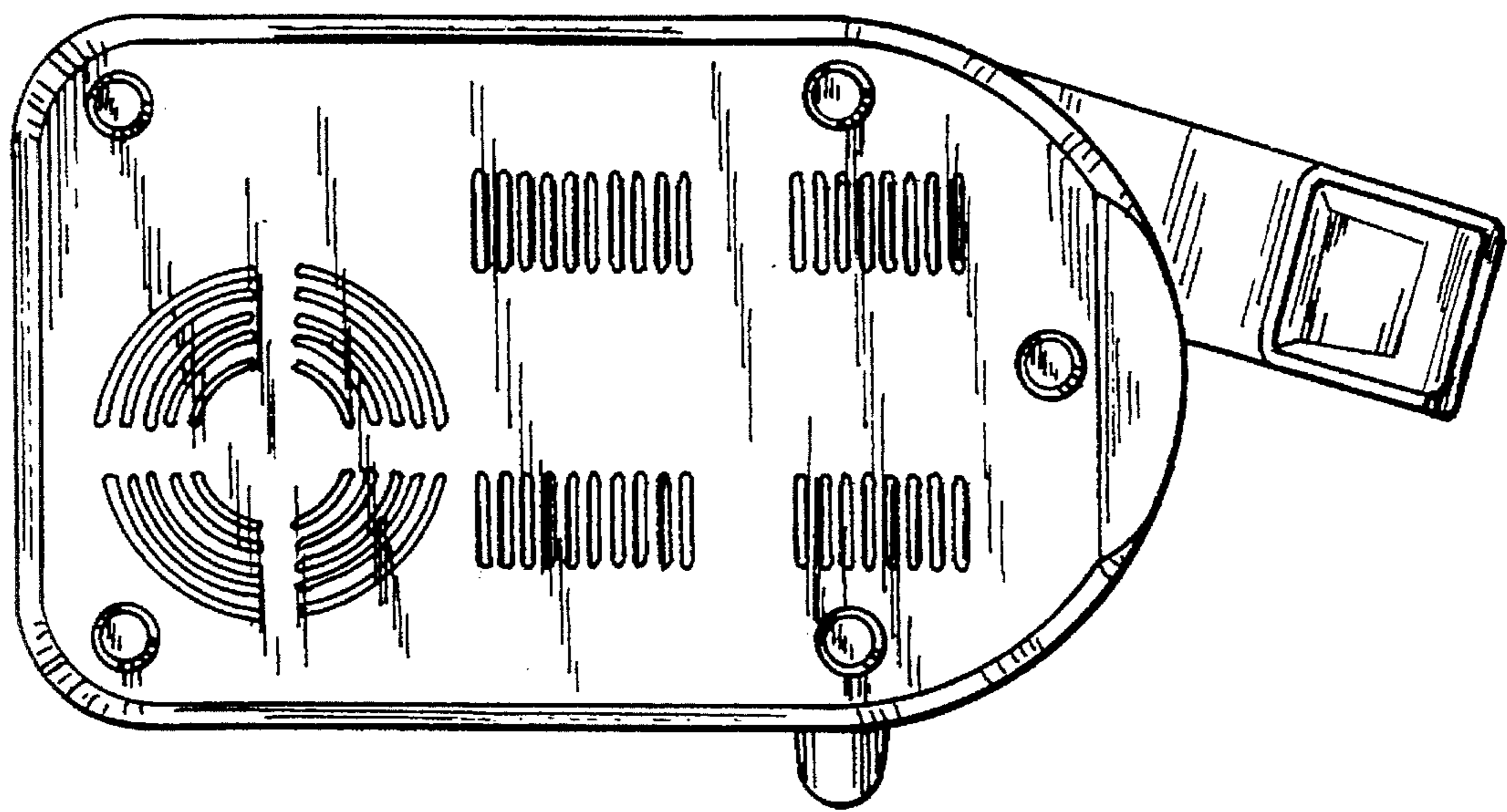


Fig. 7